

SMALL SINGLE CABINET

installation instructions



ABOUT PRODUCT ASSEMBLY

Do not assemble the storage shed on severe cold or strong windy days.

We would advise 2 person to assist in the assembly of the storage shed to secure parts in place.

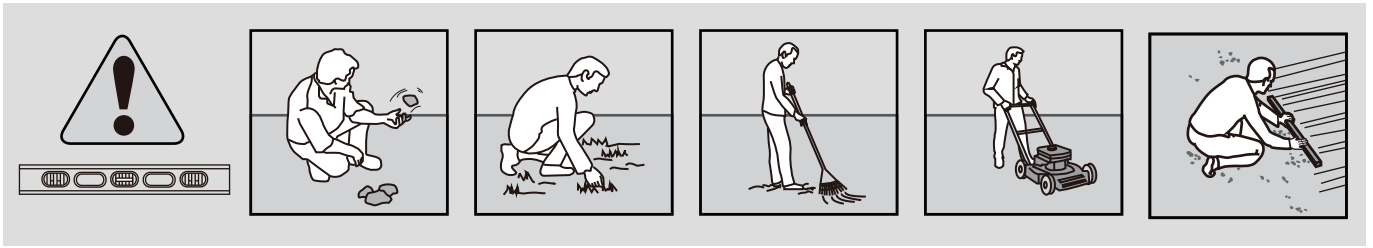
Please check your package according to the PARTS LIST in the instructions to ensure that there are no missing or damaged before you starting assembly, kindly contact us if you find any wrong.

Please read instructions thoroughly prior to assembly, assemble all the parts according to the directions in this instructions, do not skip and steps

Our company provides extra hardware for use as spare parts for customer convenience. **Please save the spare parts.**

We would kindly advise you to follow the instructions in the manual to install, wrong assembly methods can result in damage to the inside of the hole to create links between the panels loose or unable to assembled properly.

LEVEL THE GROUND SURFACE



Level the ground surface before unpacking parts and beginning assembly.

TOOLS REQUIRED



Screwdriver

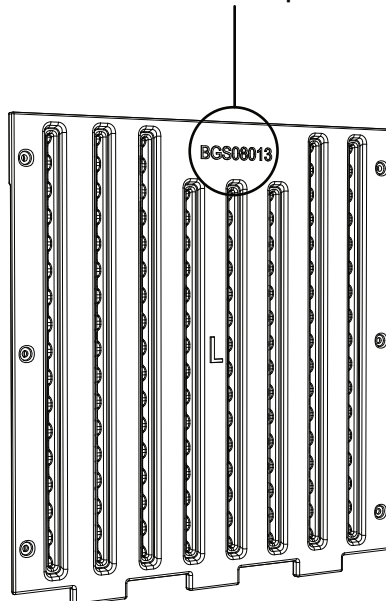
(Not included in the accessory pack)



Wrench

PARTS NUMBER POSITION

Parts number position



ABOUT PRODUCT MAINTENANCE

This storage shed should be far away from the open flame.

Do not use the storage shed in extreme weather conditions.

Do not stack more than 20 kg items on the storage shed roof all the time in case deformation of the roof.

At regular check the storage shed to ensure that it's stable and assembly integrity has been maintained.

Please keep doors closed and locked outdoor when the storage shed is not in use long time to prevent wind damaged or damaged by animals or bad people.

Do not store hot items(recently used grills, blowtorches etc.),flammable or caustic chemicals in the storage shed.

Wash the storage shed with a mild soap and water if there is any stain on the storage shed. Do not use a stiff brush,bleach,ammonia or any other caustic cleaners, as these may damage the storage shed or could result in permanent staining of the plastic.This is not manufacturing defect and is not covered under warranty.

If the environment permits, install the storage shed in a cool place, as prolonged exposure to direct sunlight may deform the panel and accelerate aging.

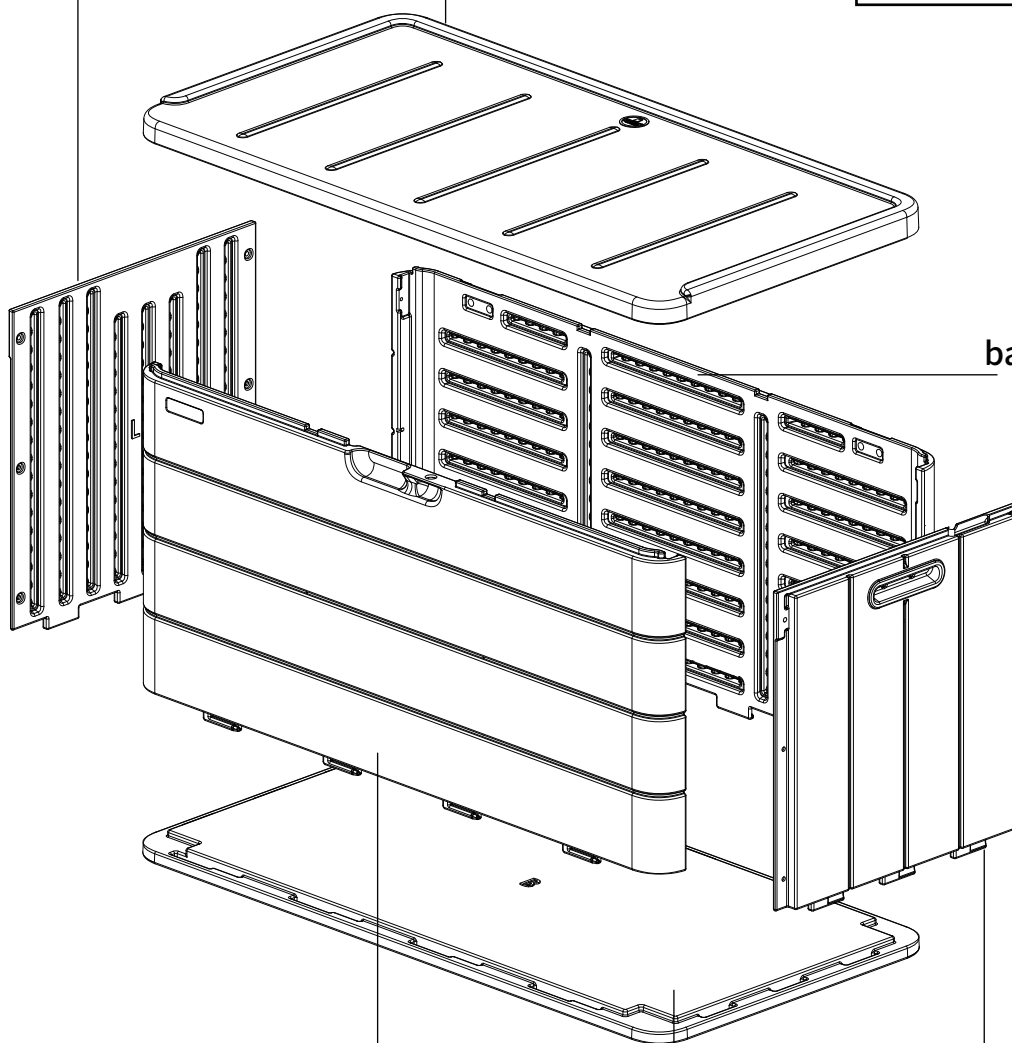
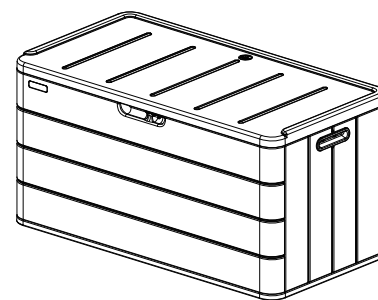
Parts List

| No. | Parts No. | Name | Material | Quantity | Specifications |
|-----|------------|-----------------------------|-----------------|----------|----------------|
| 1 | BGS08011 | Floor | HDPE | 1 | 1160x600x32 |
| 2 | BGS08012 | back panel | HDPE | 1 | 1160x550x70 |
| 3 | BGS08021 | front panel | HDPE | 1 | 1160*550*70 |
| 4 | BGS08013 | Left side panel | HDPE | 1 | 530*550*29 |
| 5 | BGS08014 | Right side panel | HDPE | 1 | 530*550*29 |
| 6 | BGS08015 | Roof | HDPE | 1 | 1160x600x49 |
| 7 | GS0201014 | Hinge assembly | Plastic | 2 | 70x38x25 |
| 8 | GS0201028 | Strengthen the block | Metal | 5 | 58x18x1.2 |
| 9 | BGS08016 | Support rod | Metal | 1 | 246xΦ8 |
| 10 | GS0201021 | Support rod fixing piece | Metal | 1 | 38x16x1.5 |
| 11 | BGS08017 | Lock plate | Metal | 1 | 30x27.5x15 |
| 12 | Y3167 | Large flat head cross screw | Stainless steel | 13 | M6x16 |
| 13 | Y202338 | Large flat head cross screw | Stainless steel | 9 | M5.5x19 |
| 14 | Y202333 | Crosshead screw | Stainless steel | 5 | M4x10 |
| 15 | BGS08038-1 | Wheels with brakes | / | 2 | |
| 16 | BGS08038 | Wheels without brakes | / | 2 | |
| 17 | GS080002 | Instruction | / | 1 | |

Wall Panels and Floor

Left side panel
BGS08013

Roof
BGS08015



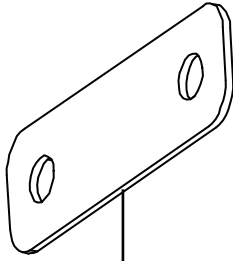
back panel
BGS08012

front panel
BGS08021

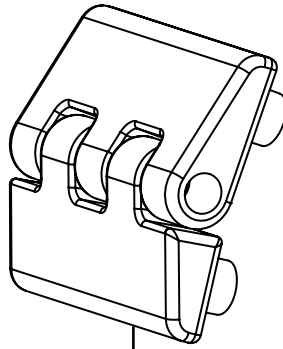
Floor
BGS08011

Right side panel
BGS08014

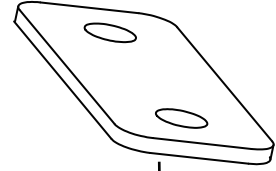
Hardware



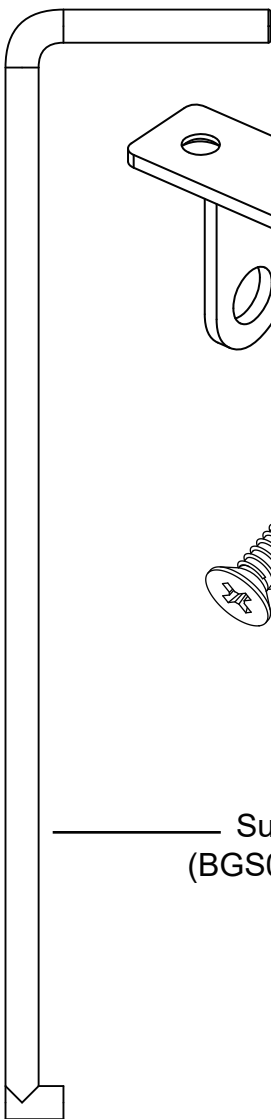
Strengthen the block
(GS0201028)x5pcs
Sparex1pc



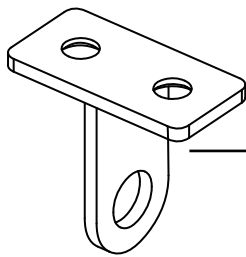
Hinge assembly
(GS0201014)x2pcs



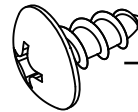
Support rod fixing piece
(GS0201021)x1pcs



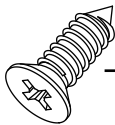
Support rod
(BGS08016)x1pcs



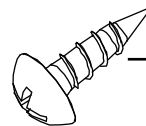
Lock plate
BGS08017x1pcs



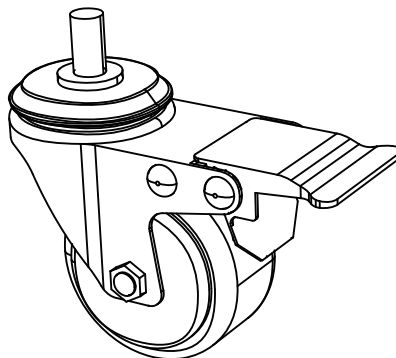
Large flat head
cross screw
Y3167
M6X16x13pcs
Sparex1pc



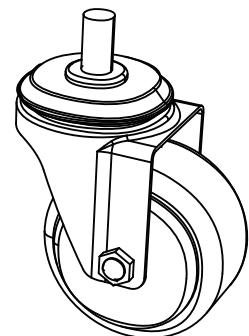
Crosshead screw
Y202333
M4x10x5pcs
Sparex1pc



Large flat head
cross screw
Y202338
M5.5x19x9pcs
Sparex1pc



Wheels with brakes
BGS08038-1
2pcs

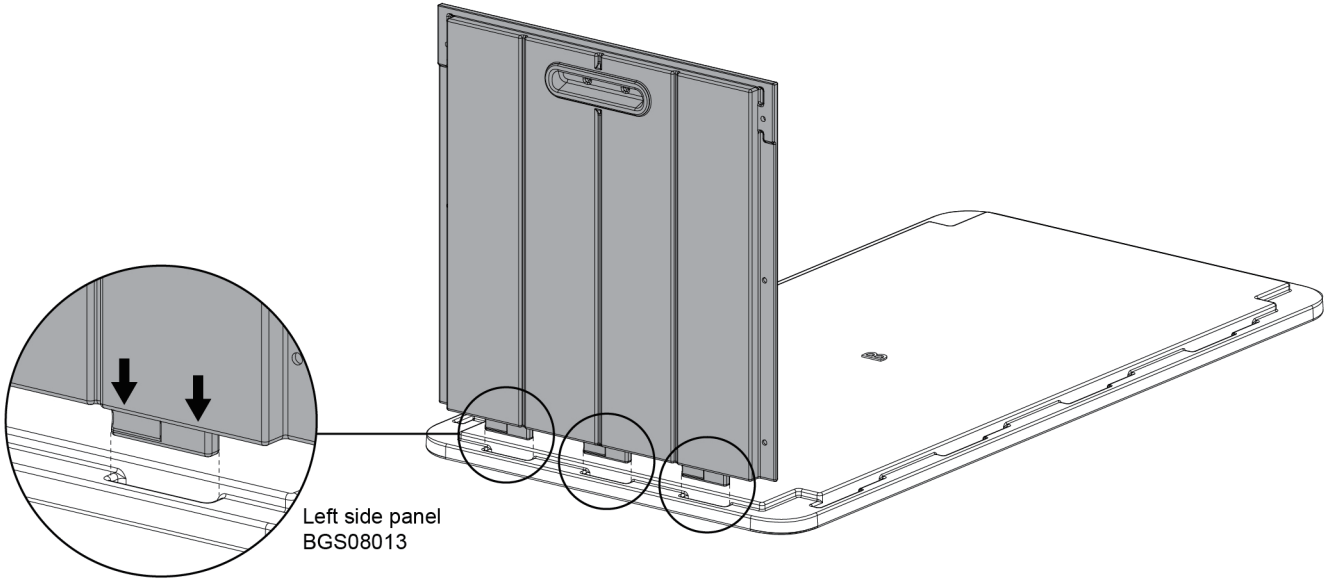


Wheels without brakes
BGS08038
2pcs

1 Left side panel
to install



Left side panel
BGS08013

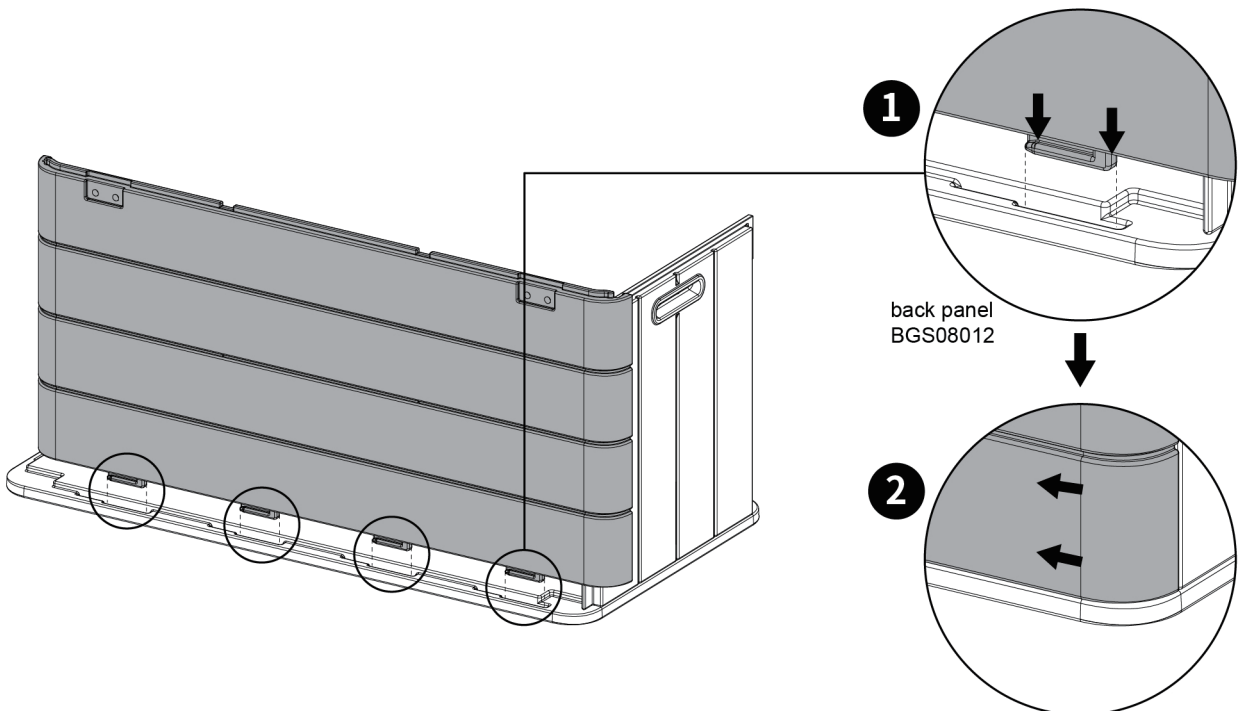


Left side panel
BGS08013

2 back panel
to install



back panel
BGS08012

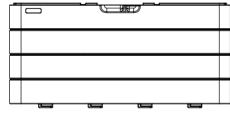


1

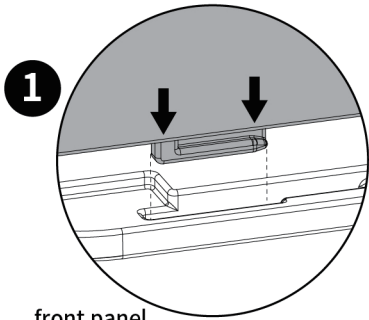
back panel
BGS08012

2

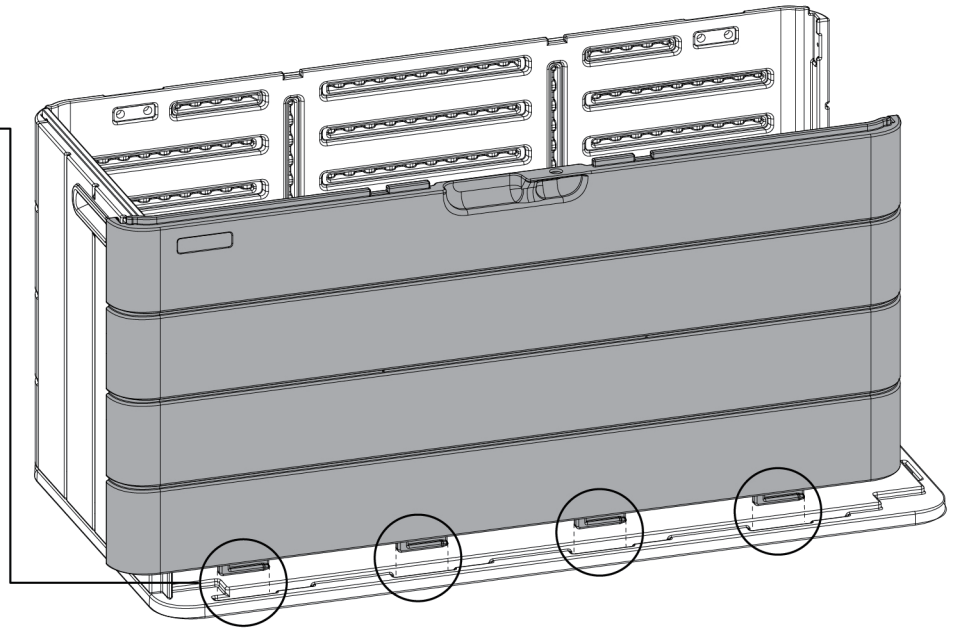
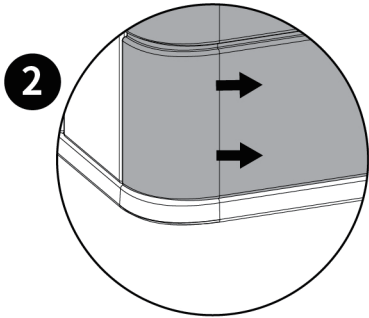
3 front panel
to install



front panel
BGS08021



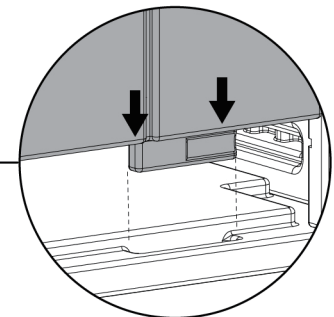
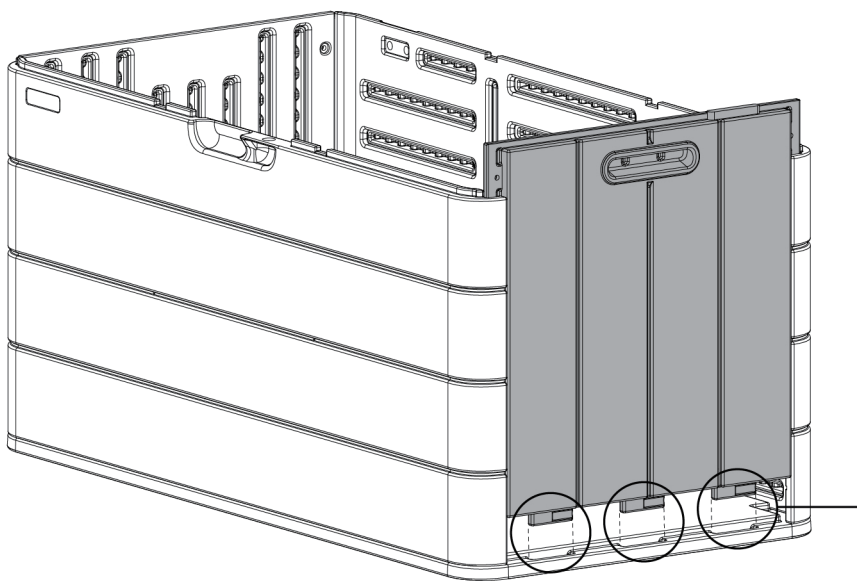
front panel
BGS08021



4 Right side panel
to install



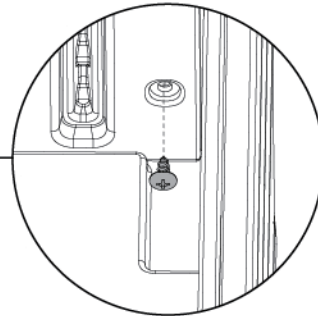
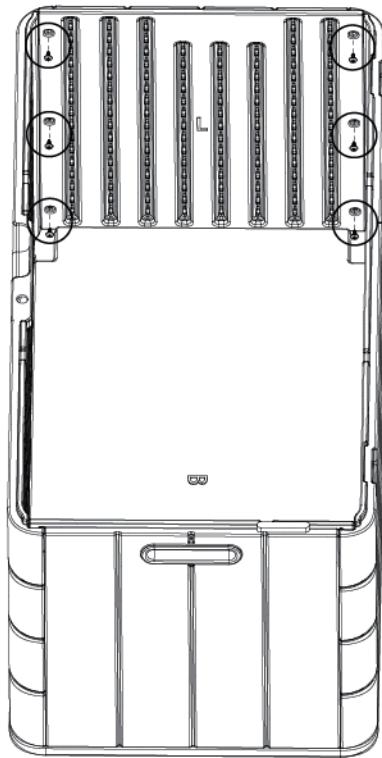
Right side panel
BGS08014



Right side panel
BGS08014

5 side panel to install

Large flat head cross screw Y3167 (M6X16)x12pcs



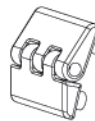
Large flat head cross screw Y3167 (M6X16)x12pcs

note: right and left panel same installation method.

6 Roof accessories to install



Roof GS0201008



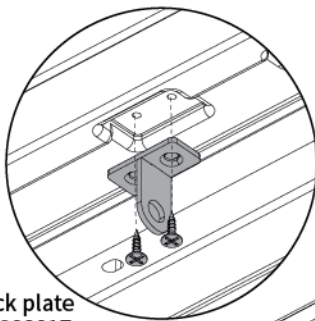
Hinge assembly (GS0201014) x2pcs



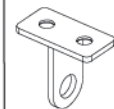
Strengthen the block (GS0201028) x2pcs



Large flat head cross screw Y202338 (M5.5x19)x4pcs



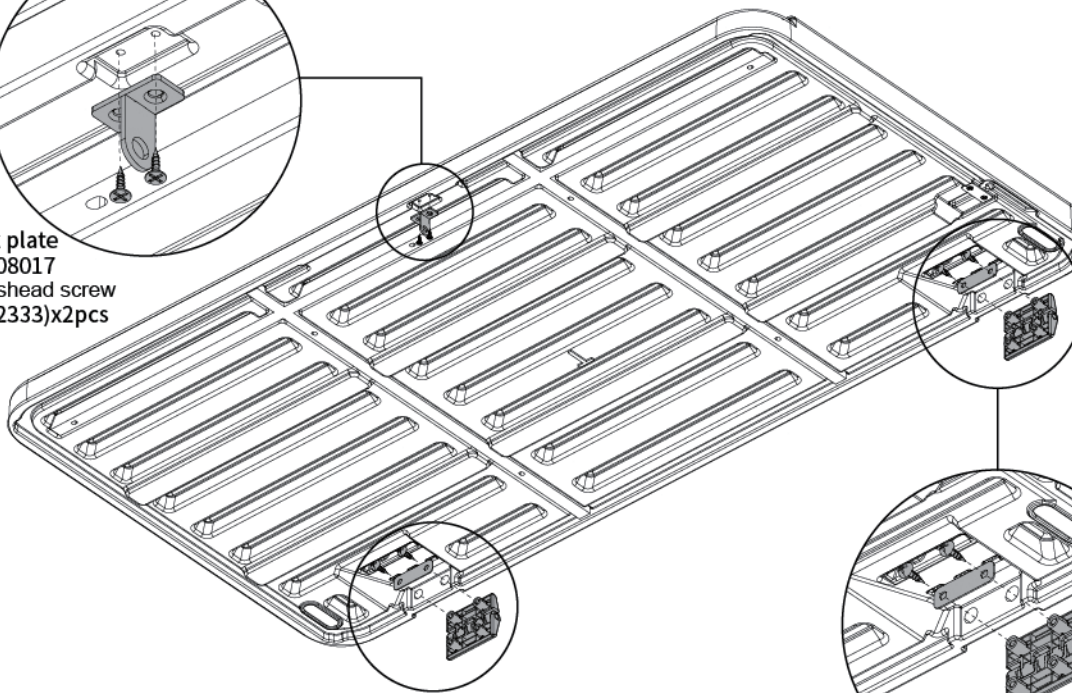
Lock plate BGS08017
Crosshead screw (Y202333)x2pcs



Lock plate BGS08017



Crosshead screw (Y202333)x2pcs



Hinge assembly (GS0201014) x2pcs

Strengthen the block (GS0201028) x2pcs

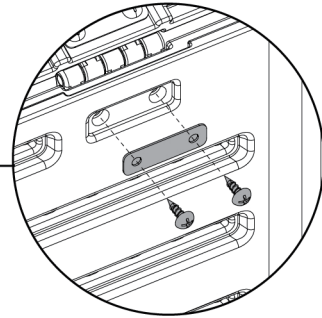
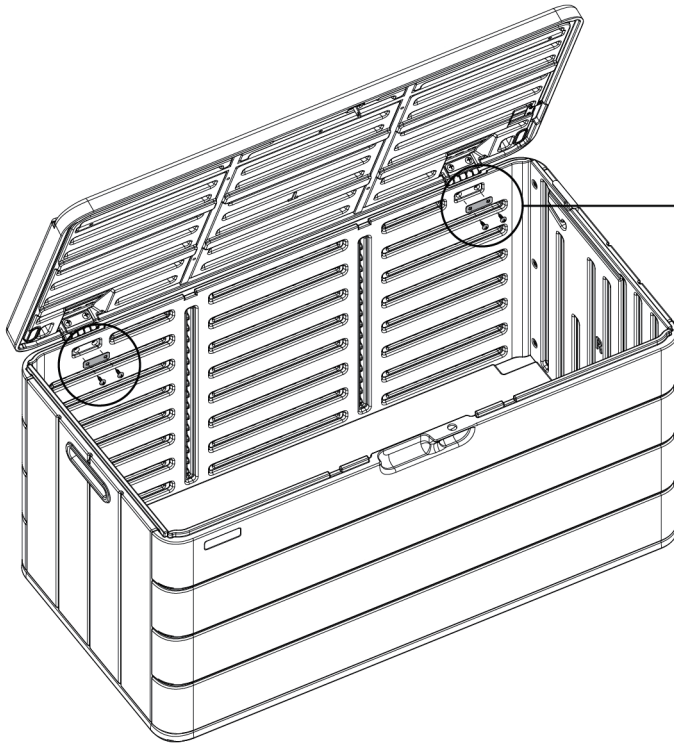
Large flat head cross screw Y202338 (M5.5x19)x4pcs

7 Roof to install

Strengthen the block (GS0201028) x2pcs



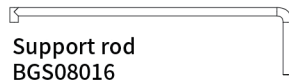
Large flat head cross screw Y202338 (M5.5x19)x4pcs



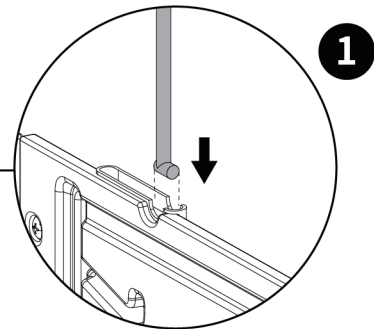
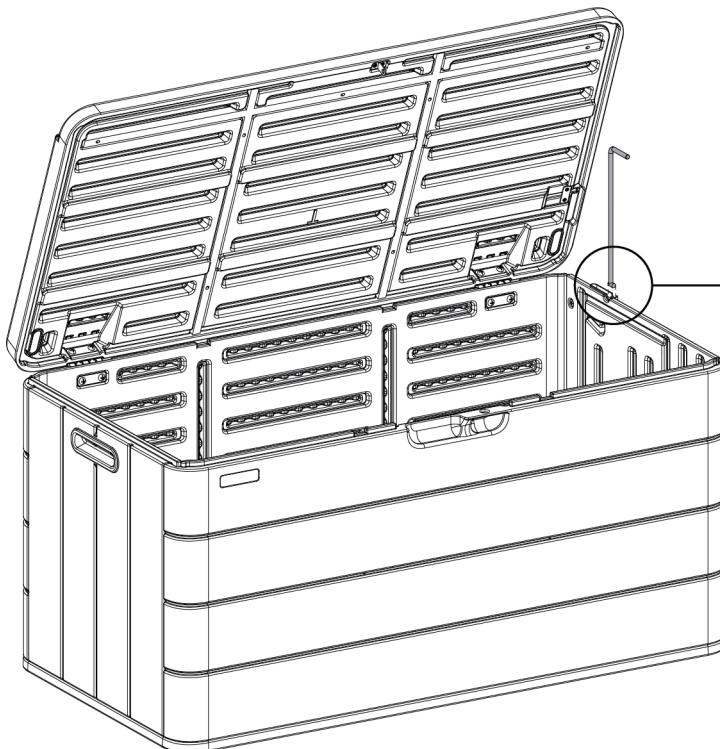
Strengthen the block (GS0201028) x2pcs

Large flat head cross screw Y202338 (M5.5x19)x4pcs

8 Support rod to install

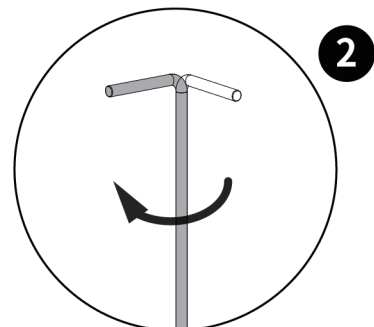


Support rod BGS08016



1

Support rod BGS08016

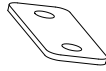


2

clockwise rotation support pole

9

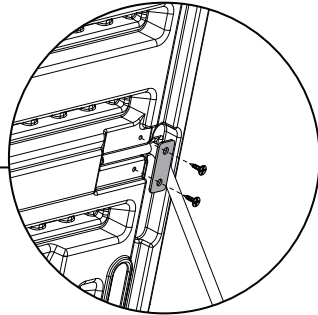
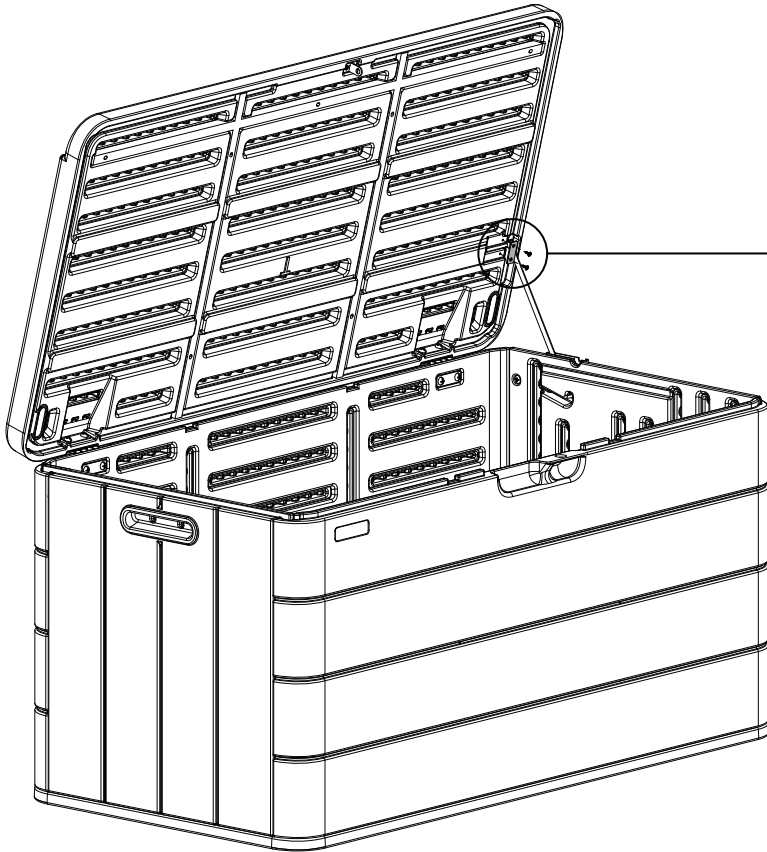
Support rod to install



Support rod fixing piece GS0201021



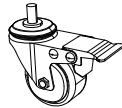
Crosshead screw (Y202333)x2pcs



Support rod fixing piece GS0201021
Crosshead screw (Y202333)x2pcs

10

Wheel installation



Wheels with brakes BGS08038-1
2pcs



Wheels without brakes BGS08038
2pcs



Wrench

