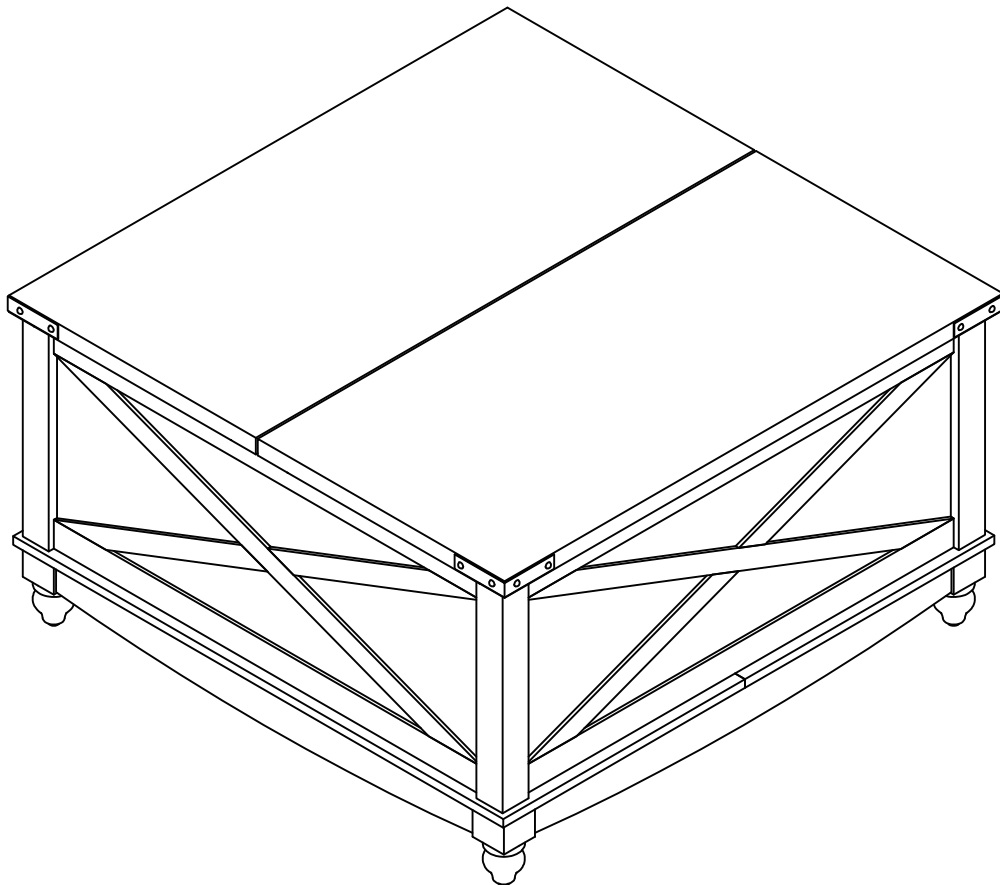


Square Lift Top Coffee Table Instruction Manual

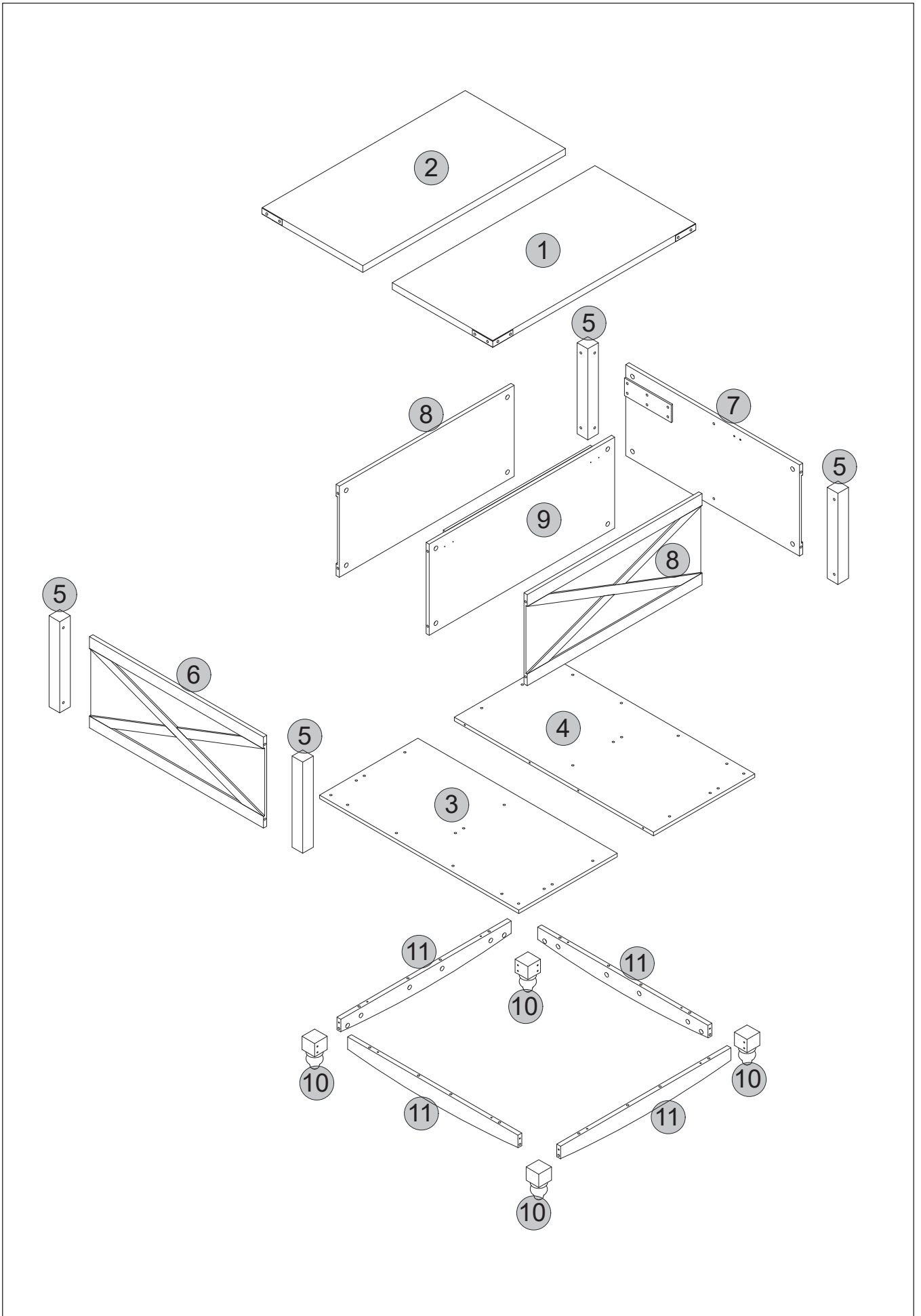
Note: There is also a more detailed installation video on the product detail page on website.



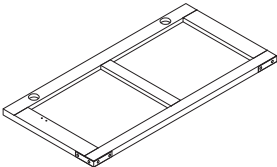
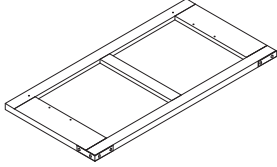
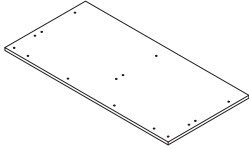
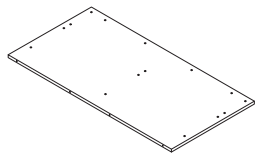

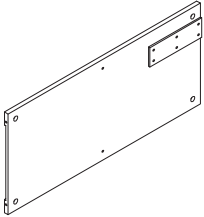
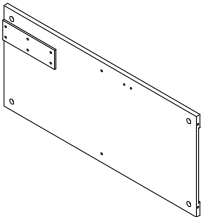
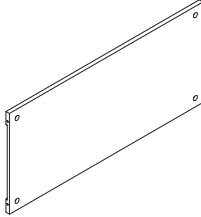
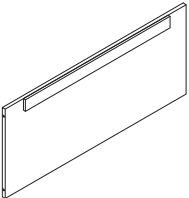
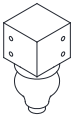
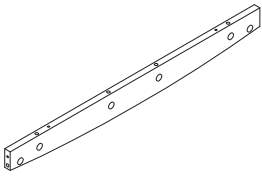
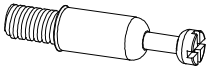



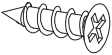

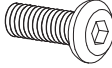
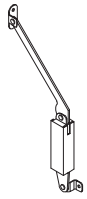
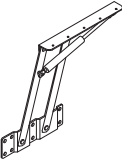
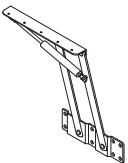
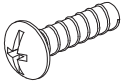
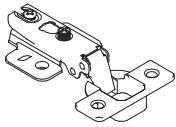
 E-mail: support@flycitymall.com

QR code for installation video

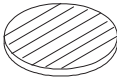


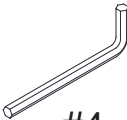
Parts List(EN)



Parts List(EN)

1	1 PC	2	1 PC	3	1 PC	4	1 PC	
								
5	4 PCS	6	1 PC	7	1 PC	8	2 PCS	
								
9	1 PC	10	4 PCS	11	4 PCS			
								
A			B			C		
								
44+3 PCS		44+3 PCS		30+3 PCS		20+1 PCS		
E			F			G		
								
16+2 PCS		4 PCS		12+1 PCS		1 PCS		
I			J			K		
								
1 PCS		1 PCS		6+1 PCS		2 PCS		

Parts List(EN)

M  44+3 PCS	Installation tools		
		 #3	 #4 1 PC



Please read the following instructions carefully:

1. We offer customers a free lifetime warranty. If you need help regard product issues, after-sales service or other relevant problems, please contact us via the email provided on the cover.

2. If power drills for assembly, please be sure to adjust the appropriate speed and accessories, excessive rotational speed or unsuitable drill bits may cause damage to screws and boards.

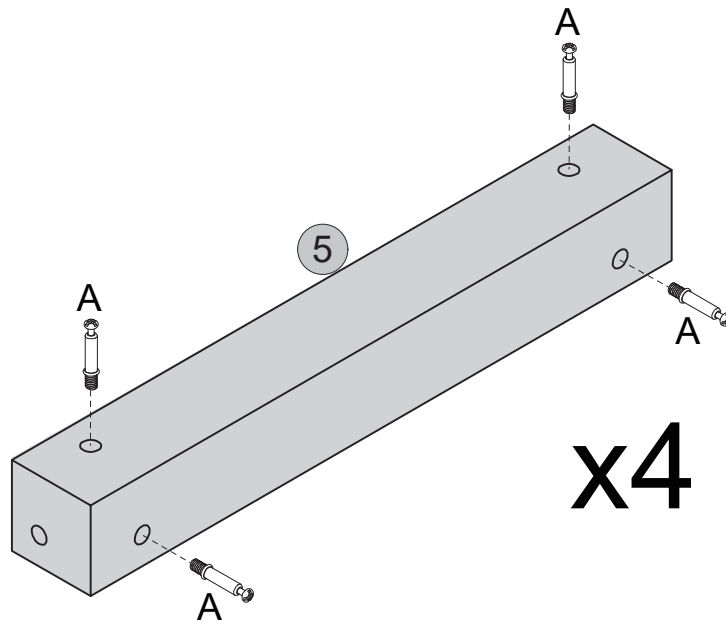
3. Some parts of the Coffee Table have sharp edges, so please be attentive to avoid scratches when installing.

4. Due to the small size of the hardware, please put them in a safe position when installing them to avoid accidental.

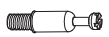
5. In order to avoid giving you a bad installation experience, please follow the steps in the instruction manual to install and carefully distinguish screws and boards. **If you have a helper, the installation will be certainly easier.**

Assembly Steps(EN)

STEP 1

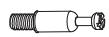
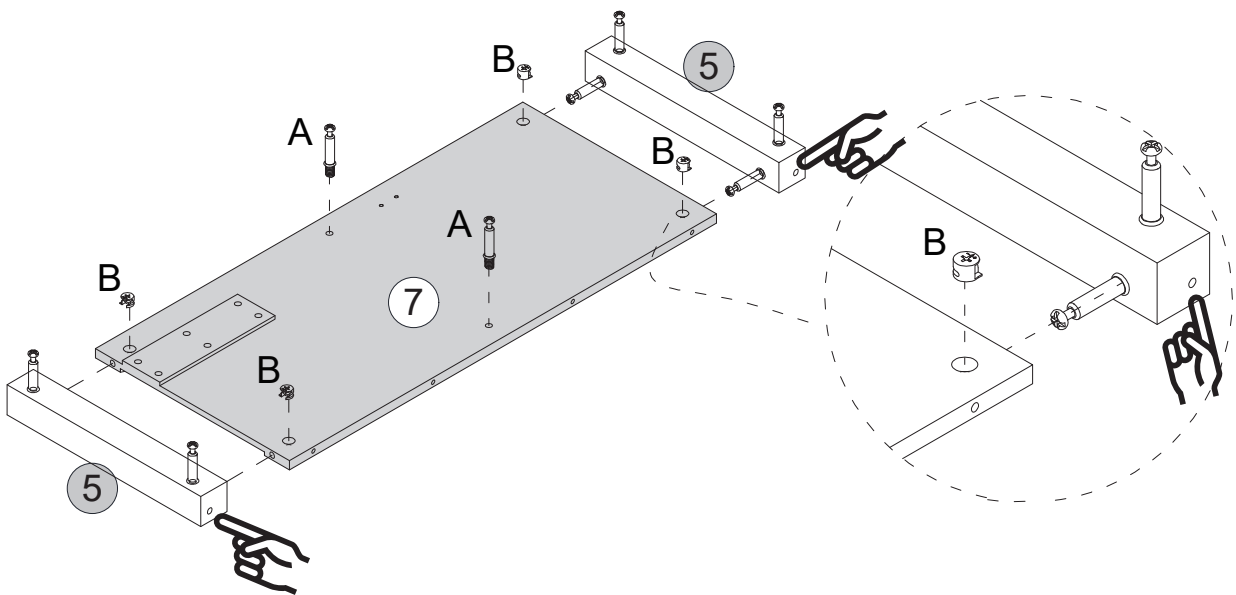


x4



A x 16PCS

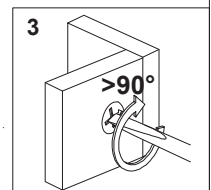
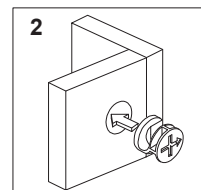
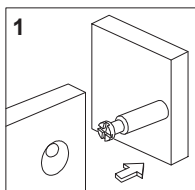
STEP 2



A x 2PCS

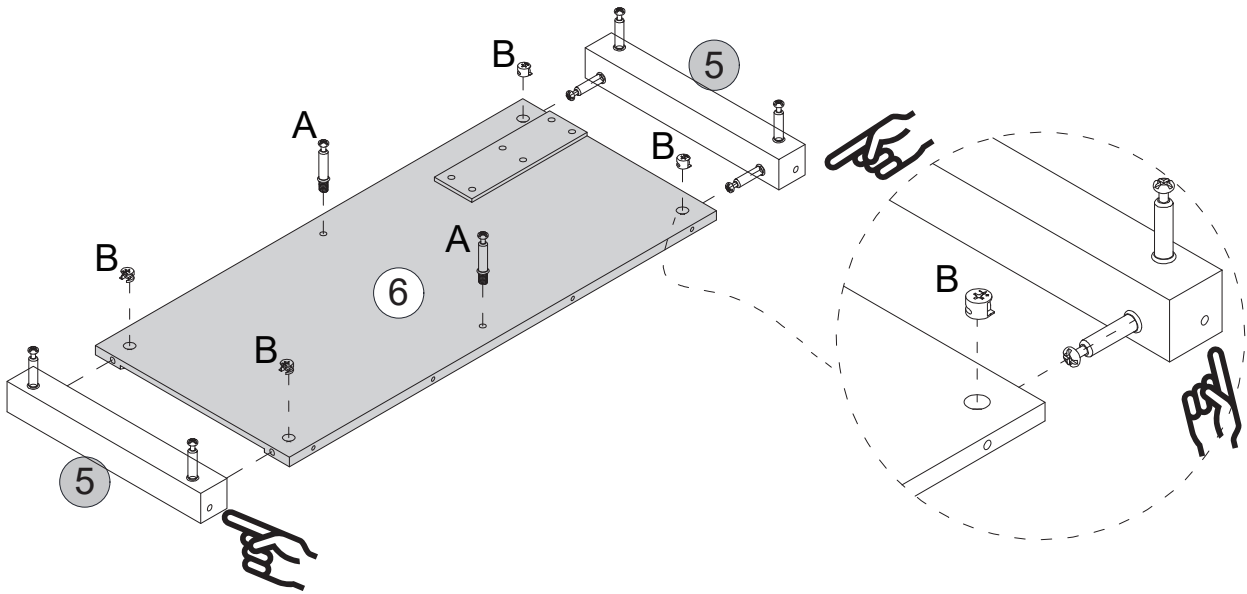


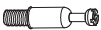

B x 4PCS

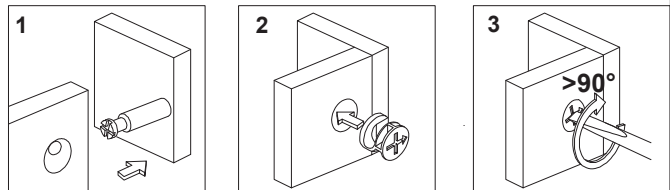


Assembly Steps(EN)

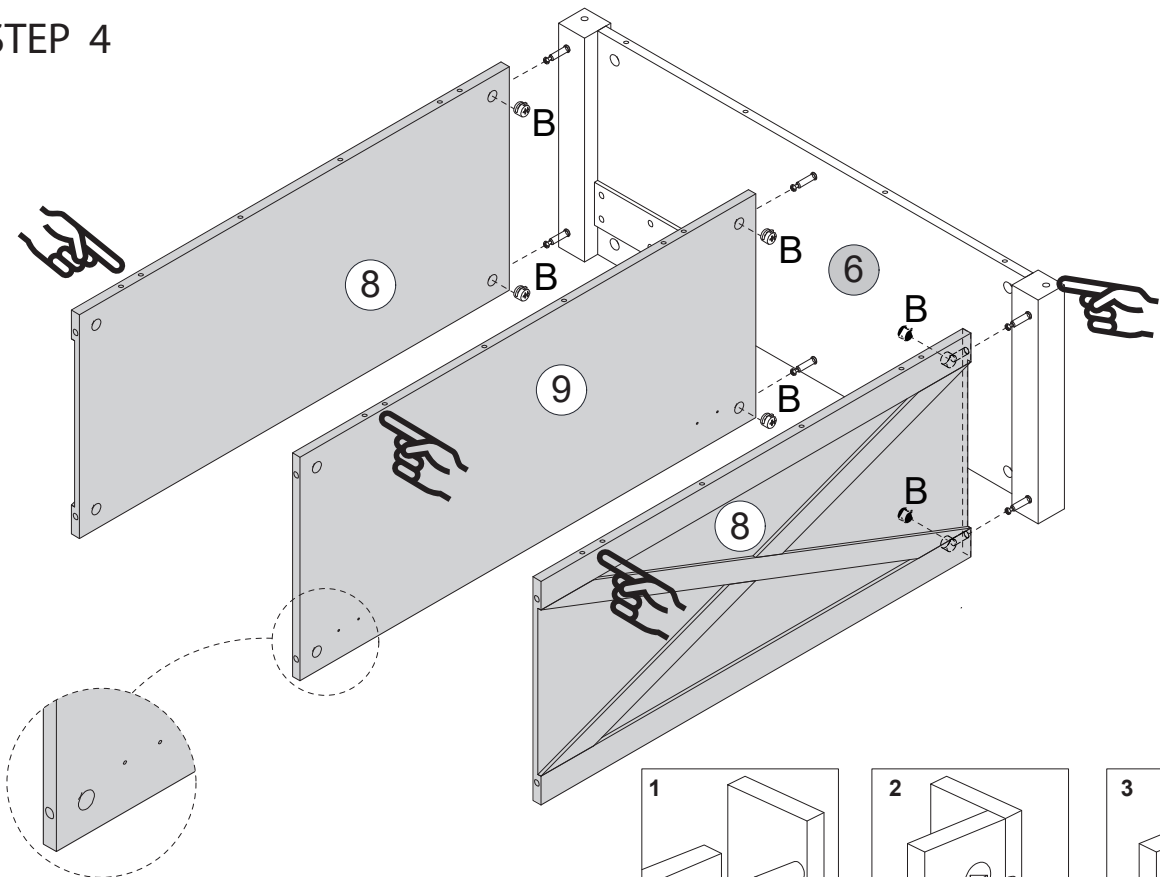
STEP 3




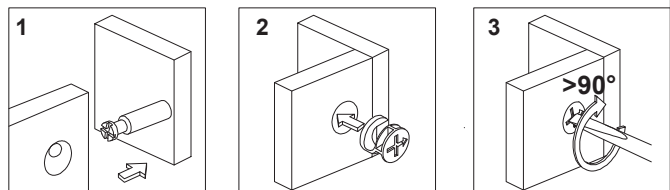
	A x 2PCS
	B x 4PCS



STEP 4

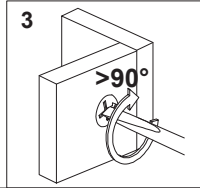
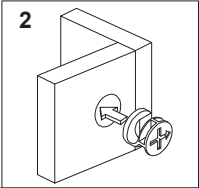
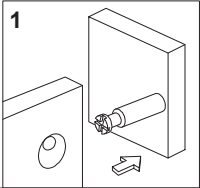
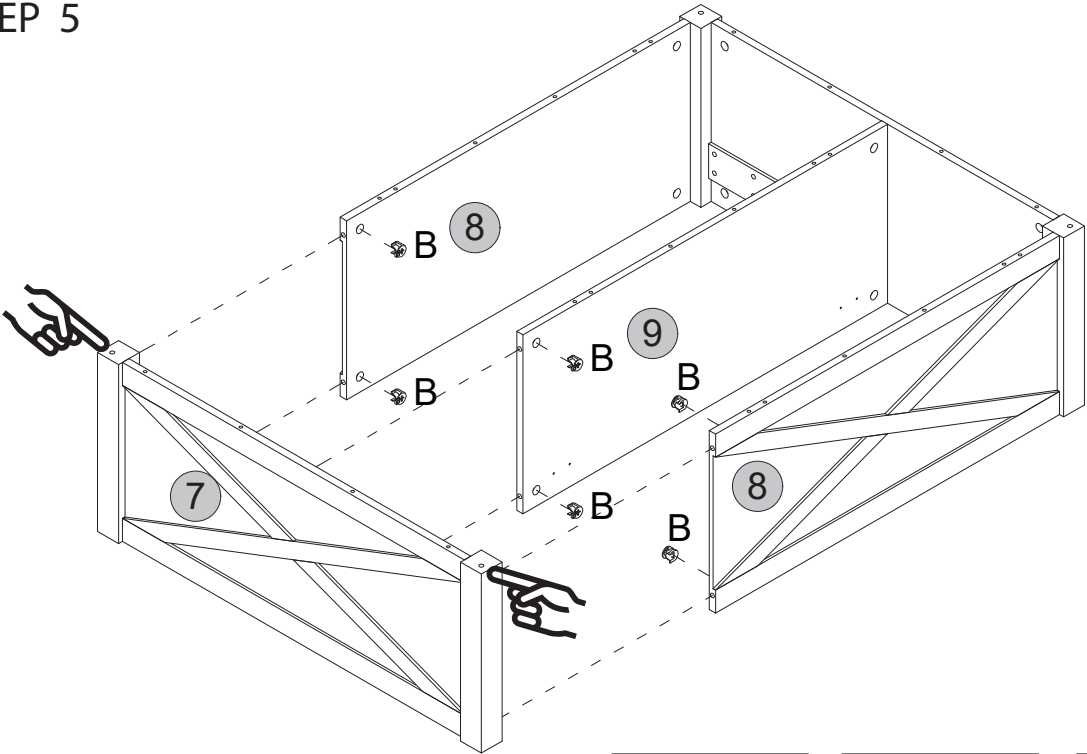


	B x 6PCS
---	----------



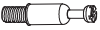
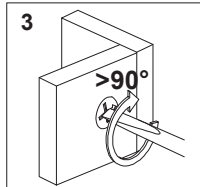
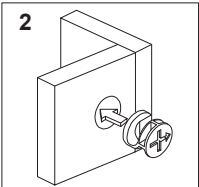
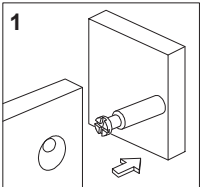
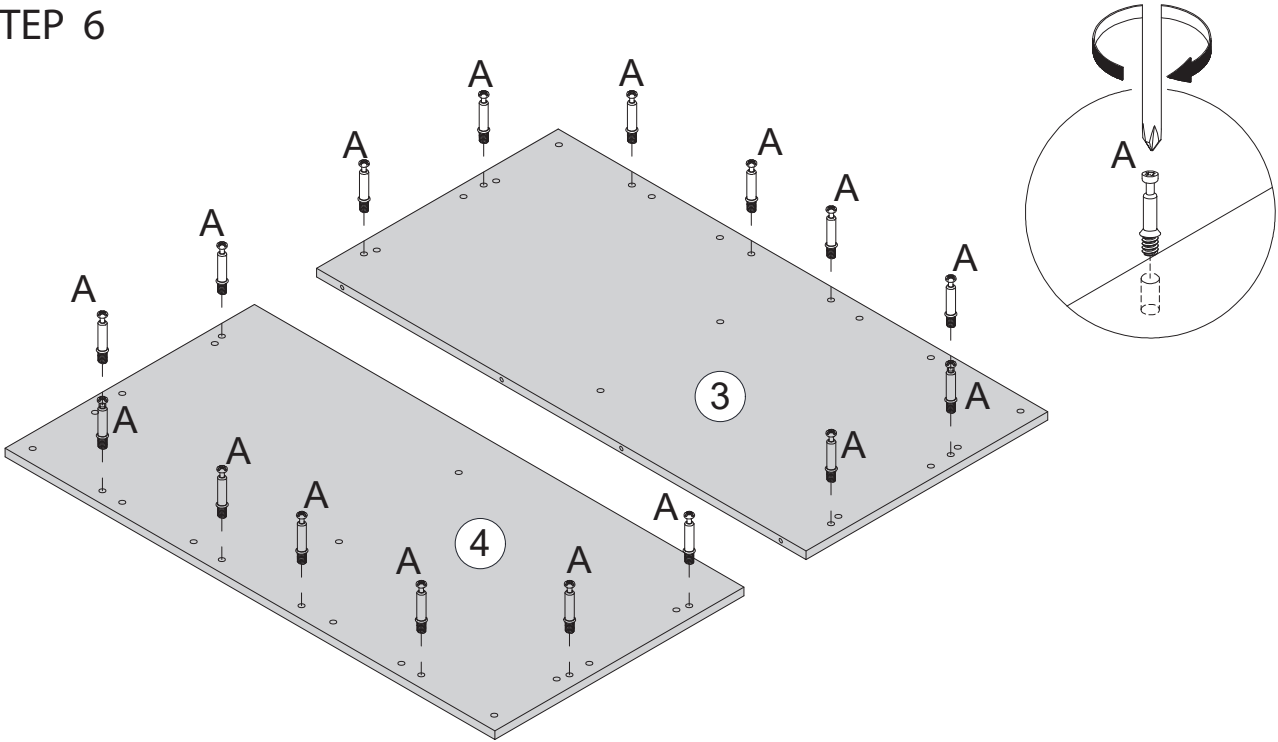
Assembly Steps(EN)

STEP 5



B x 6PCS

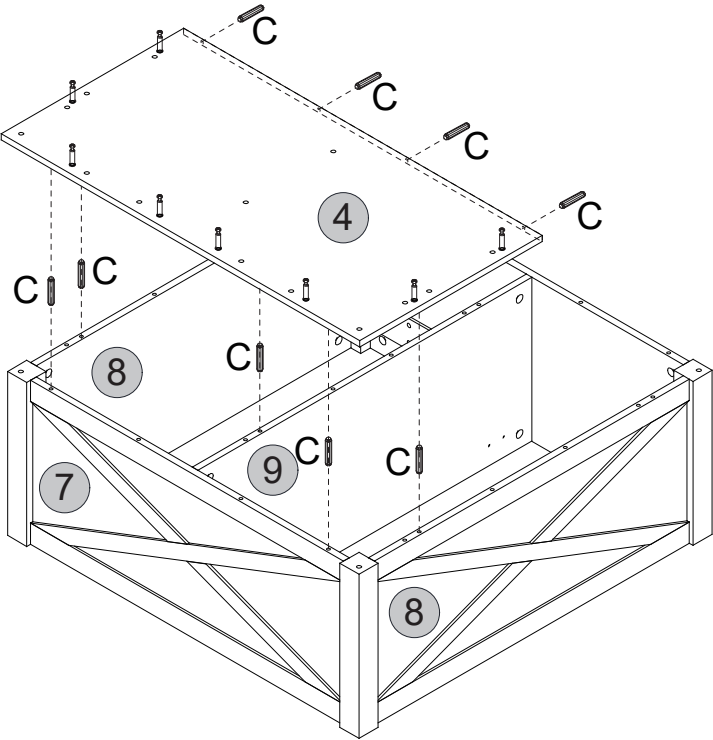
STEP 6




A x 16PCS

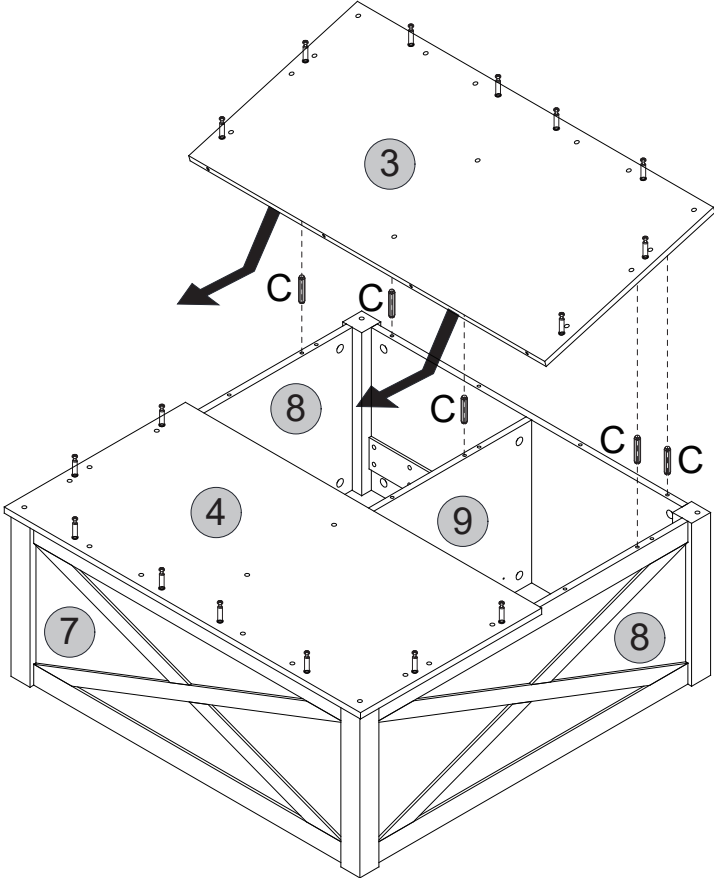
Assembly Steps(EN)


STEP 7



 C x 9PCS

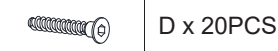
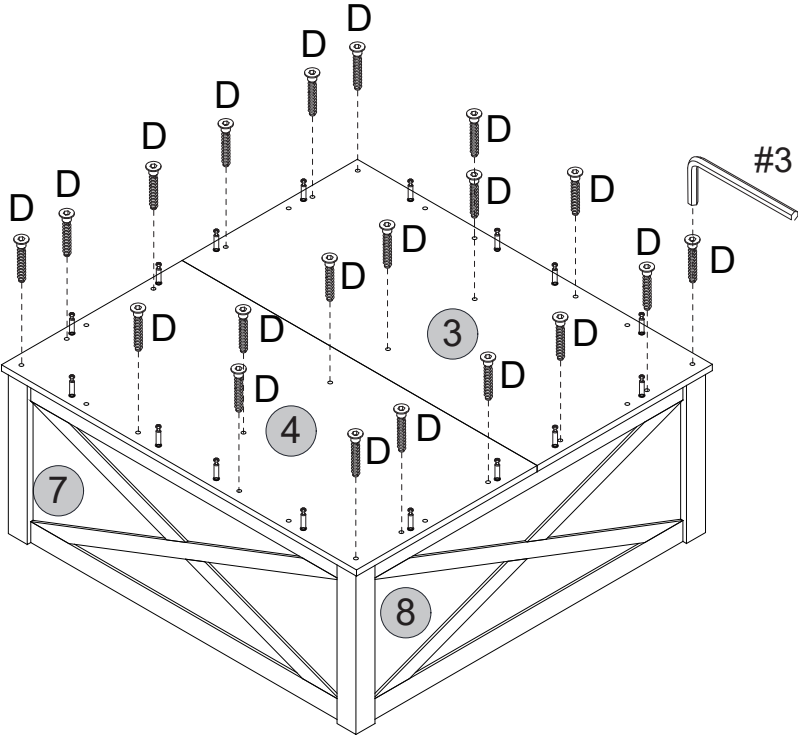
STEP 8



 C x 5PCS

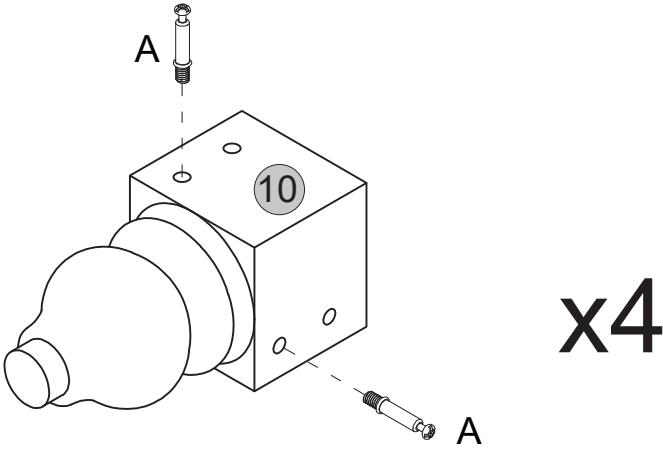
Assembly Steps(EN)

STEP 9

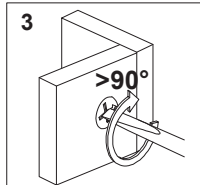
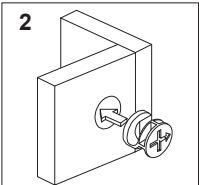
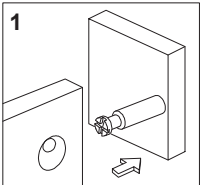


D x 20PCS

STEP 10

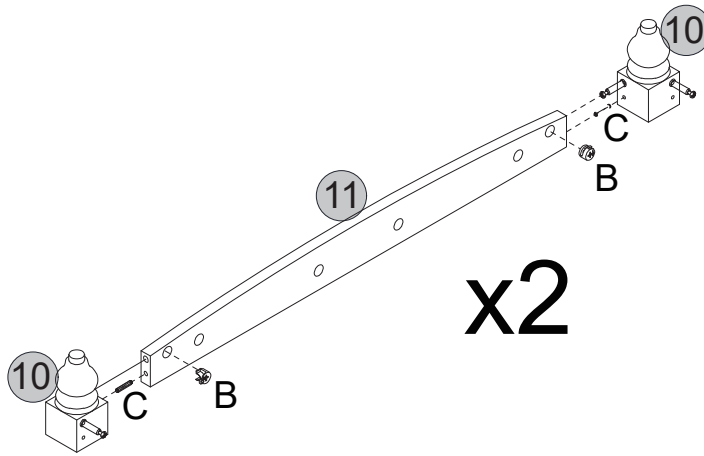


A x 8PCS

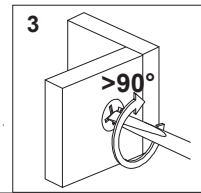
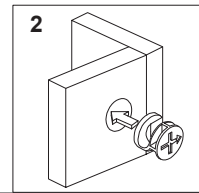
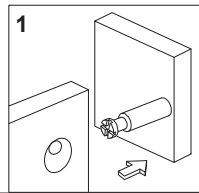




Assembly Steps(EN)

STEP 11

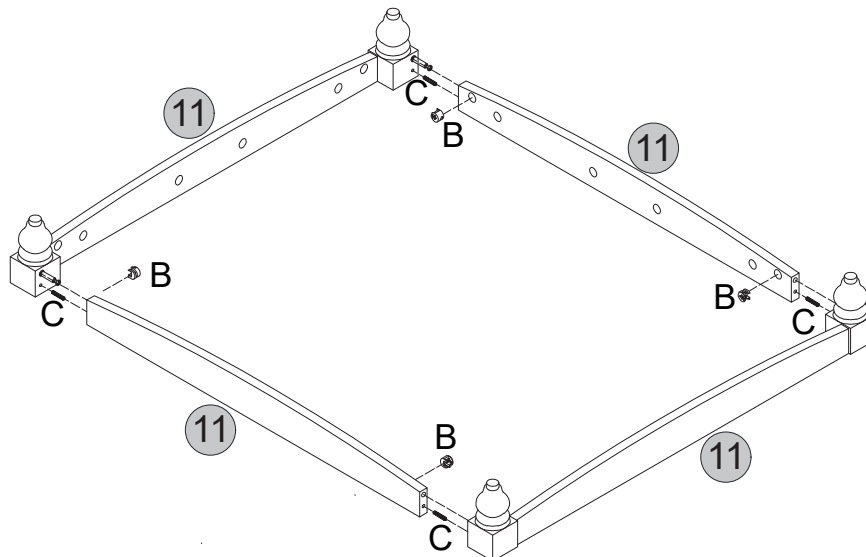


Make sure that each B-part is fully locked to avoid damage to the boards during subsequent assembly.

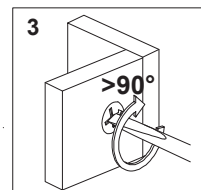
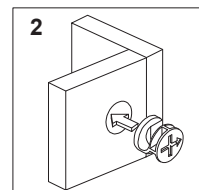
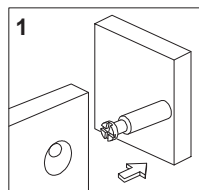




	C x 4PCS
	B x 4PCS

STEP 12



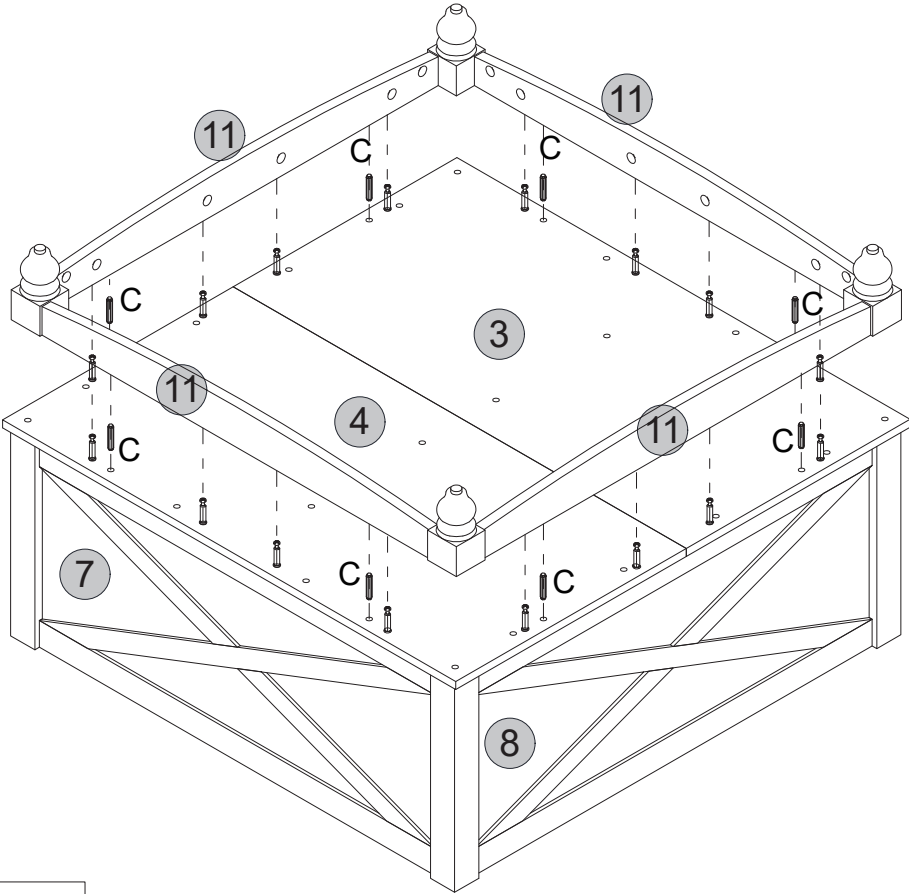
Make sure that each B-part is fully locked to avoid damage to the boards during subsequent assembly.



	C x 4PCS
	B x 4PCS

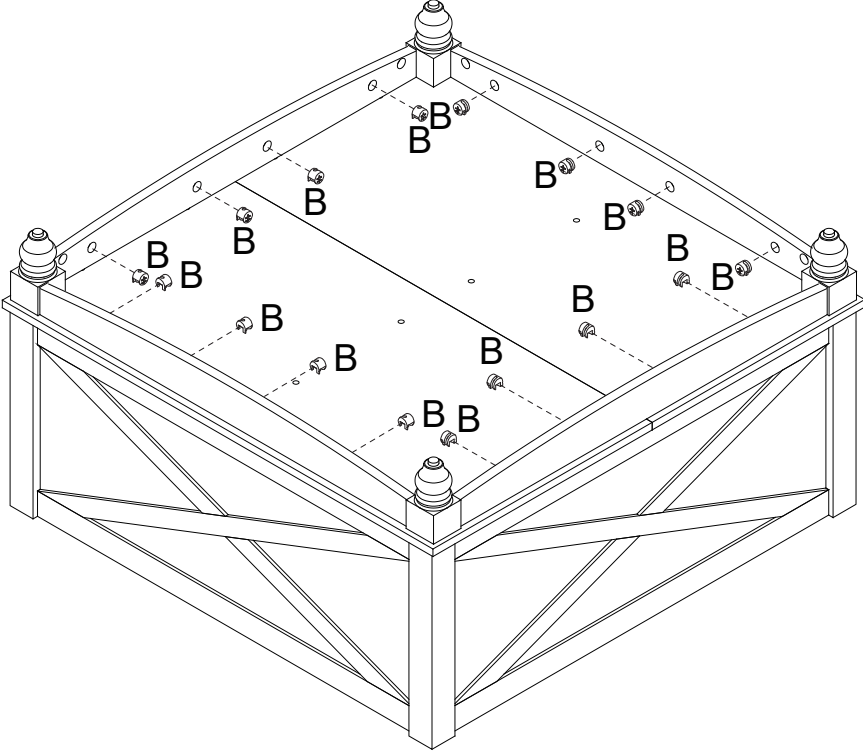
Assembly Steps(EN)

STEP 13



C x 8PCS

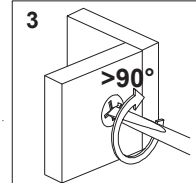
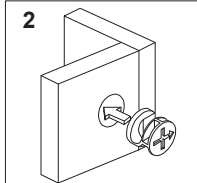
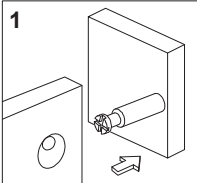
STEP 14



Make sure that each B-part is fully locked to avoid damage to the boards during subsequent assembly.

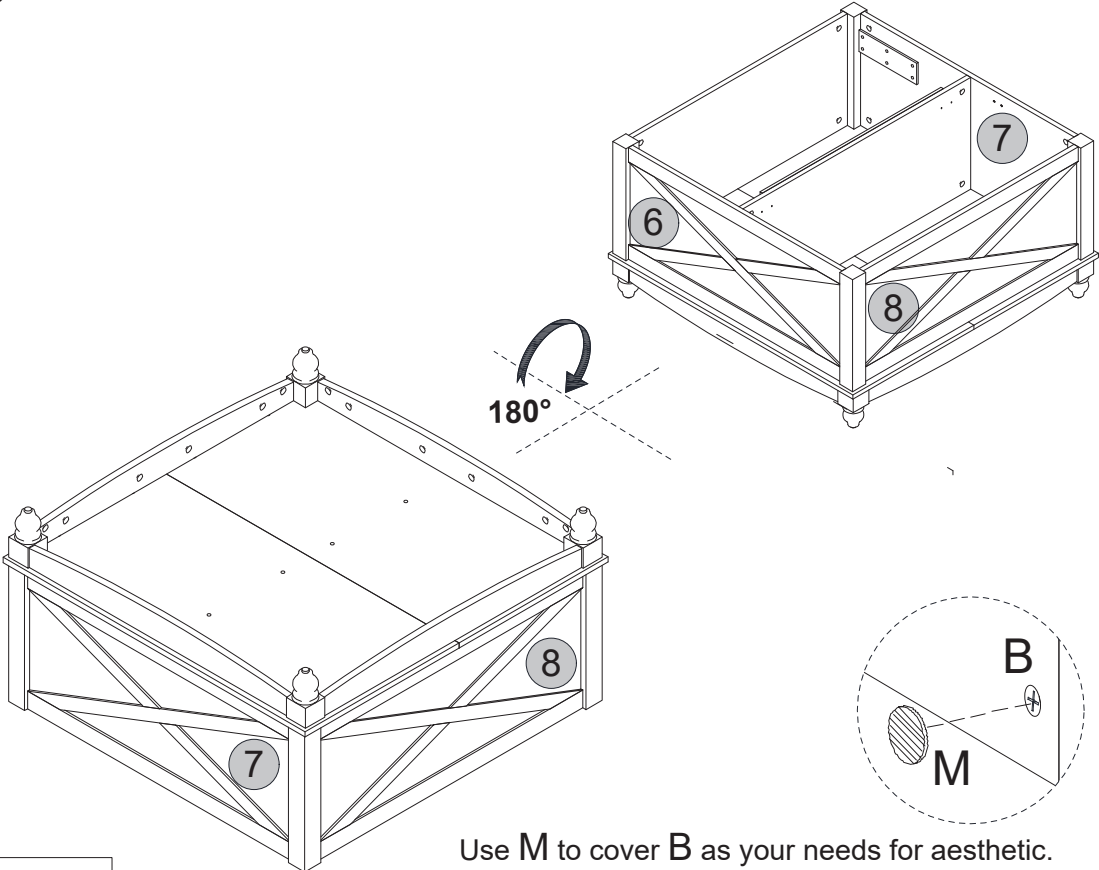


B x 16PCS



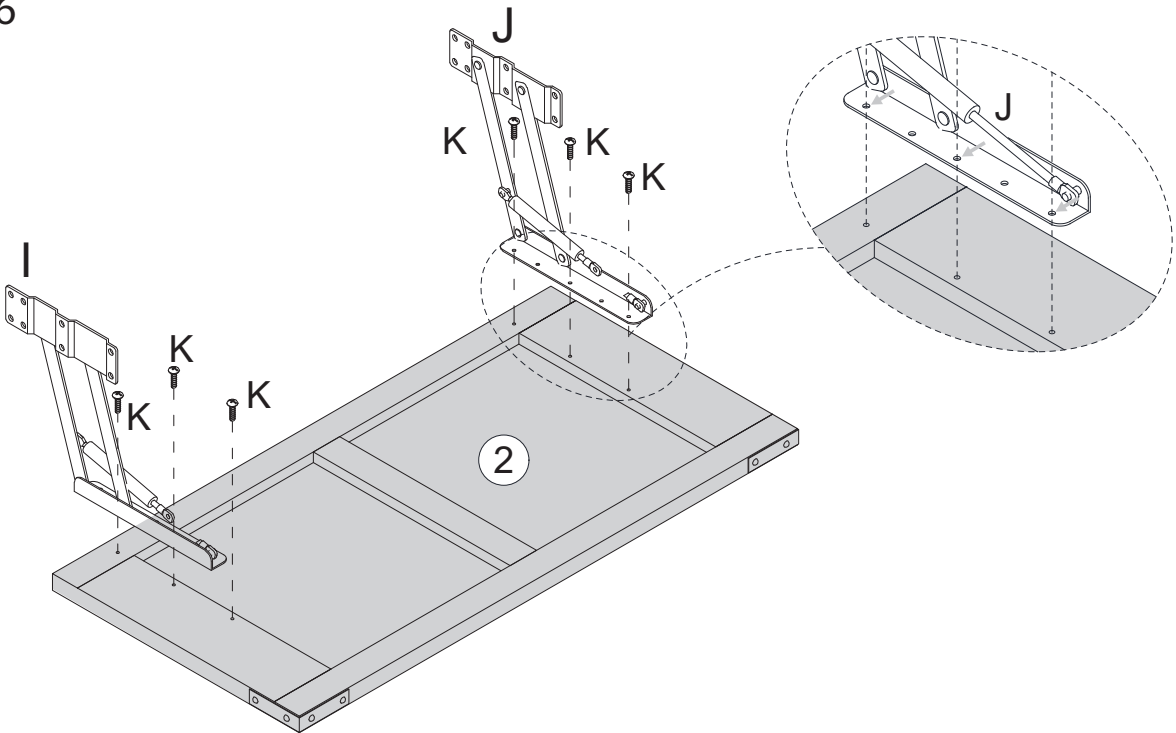
Assembly Steps(EN)

STEP 15



M x 44PCS

STEP 16



I x 1PC



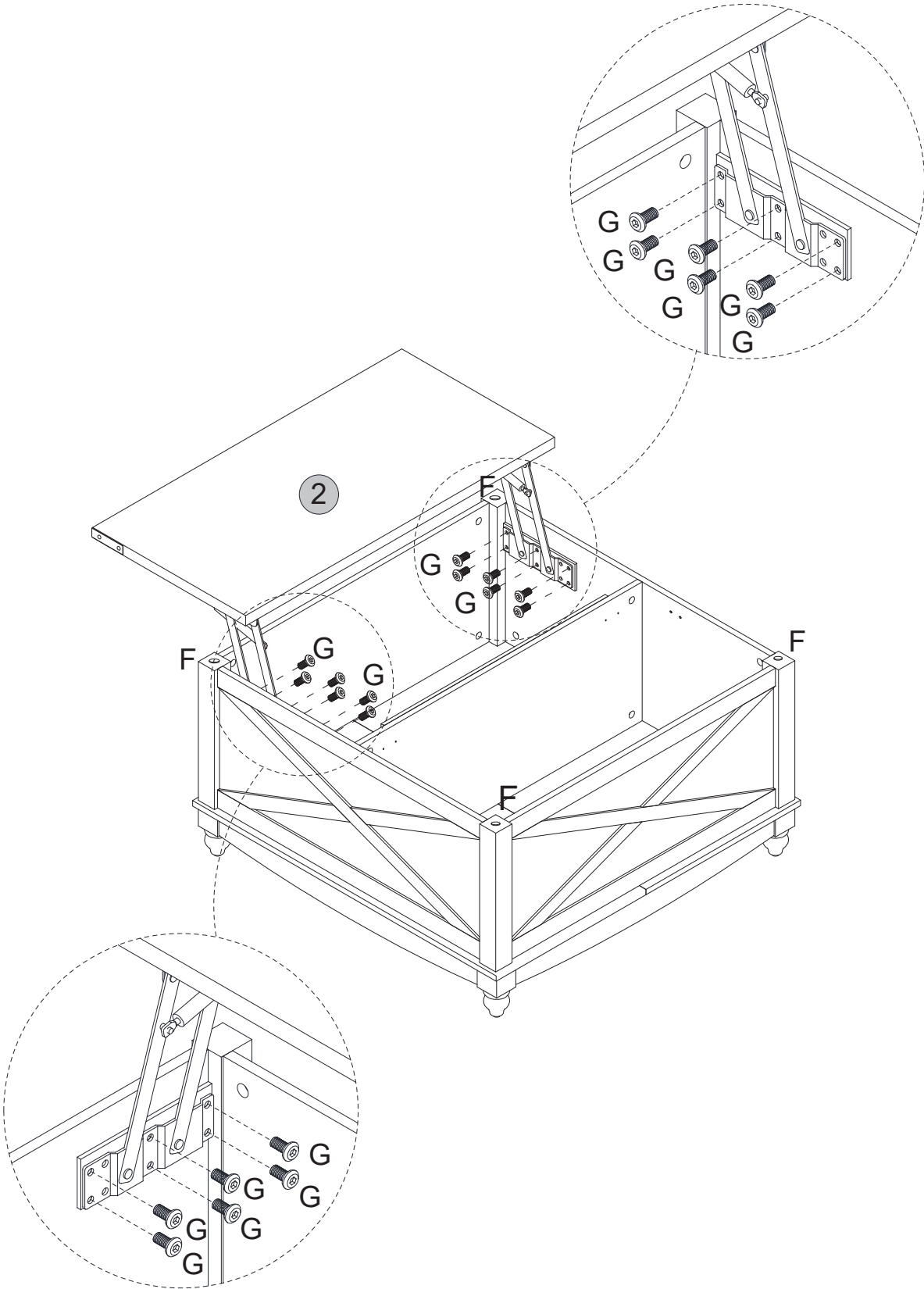
J x 1PC





K x 6PCS

Assembly Steps(EN)

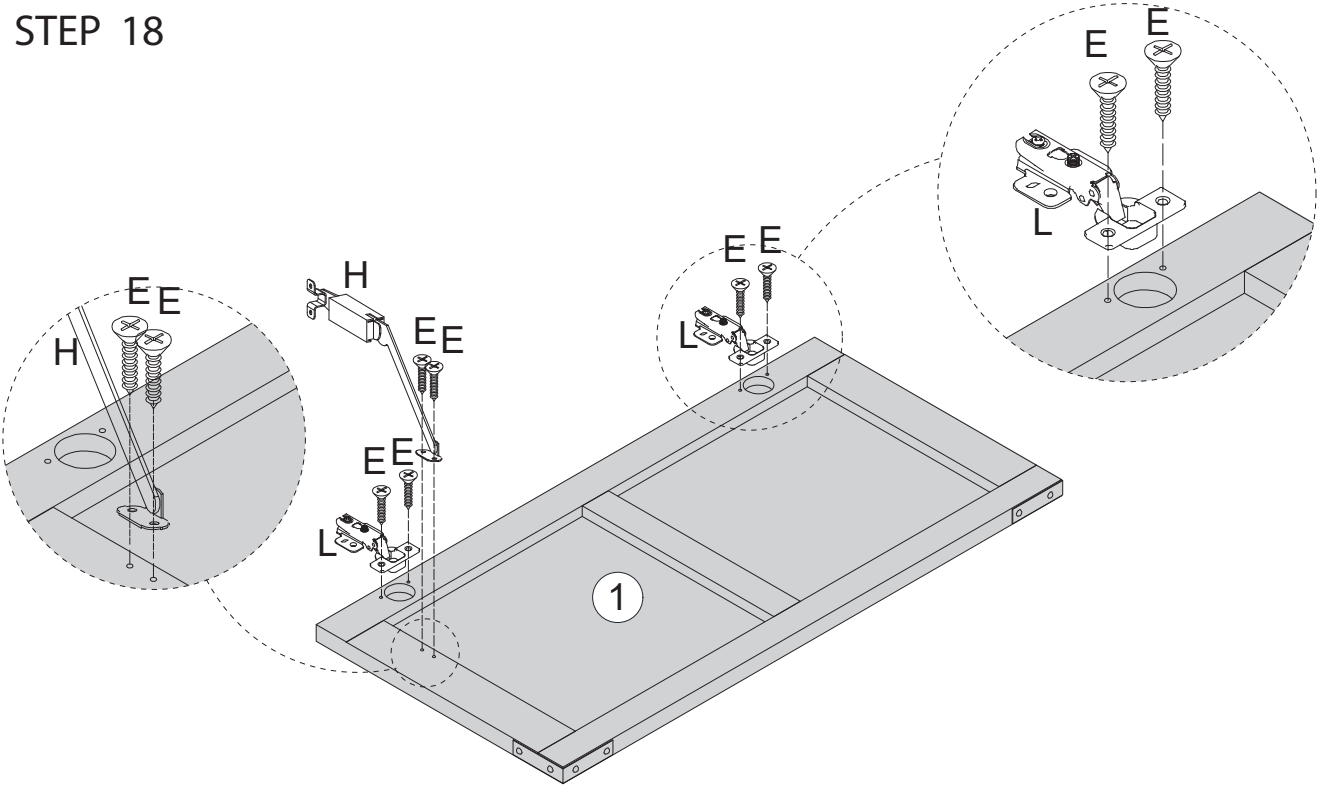
STEP 17






	G x 12PCS
	F x 4PCS

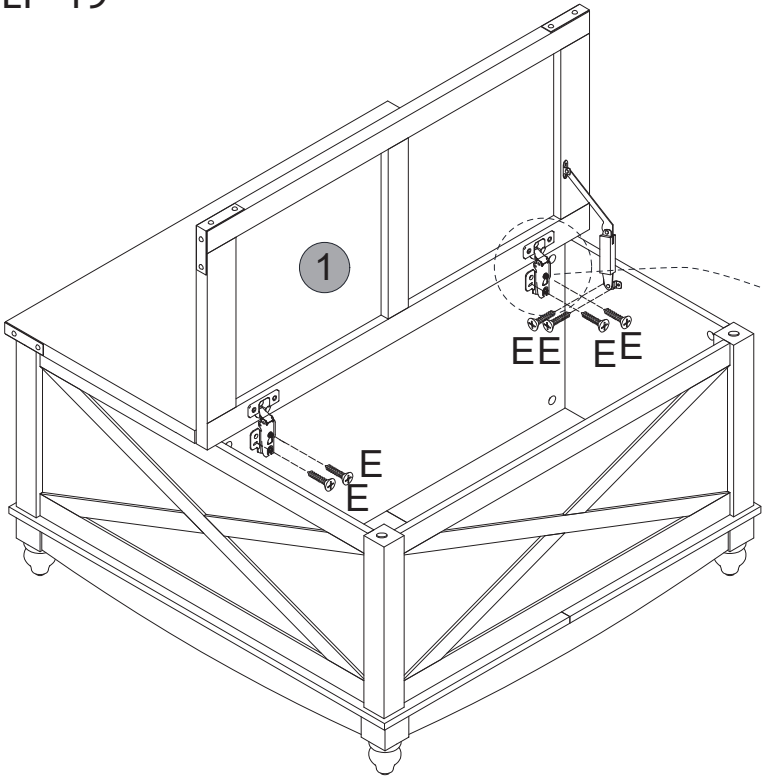
Assembly Steps(EN)


STEP 18




	E x 6PCS
	L x 2PCS
	H x 1PC

STEP 19



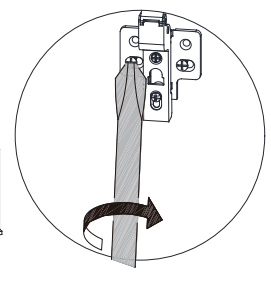
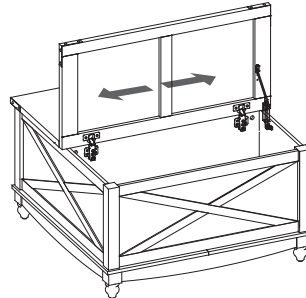
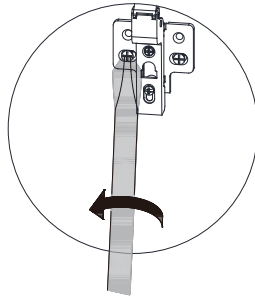
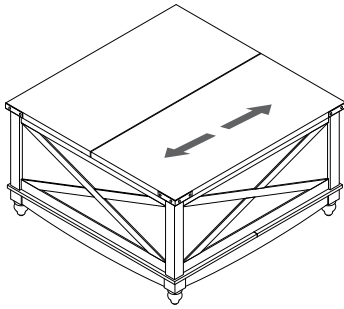
 Do not tighten the screws until all the screws are properly placed.

	E x 6PCS
---	----------

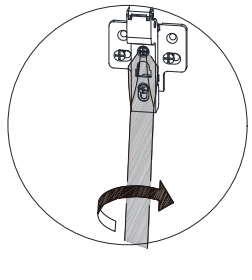
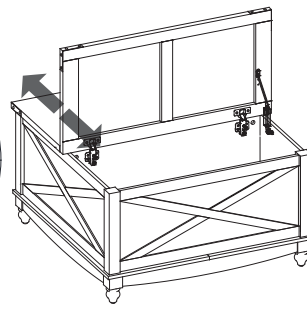
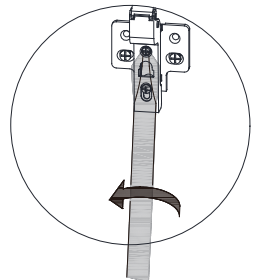
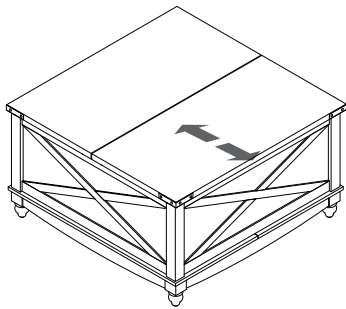
Assembly Steps(EN)

STEP 20

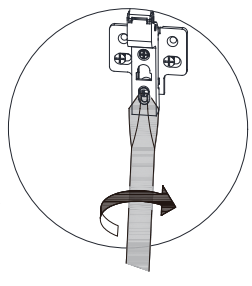
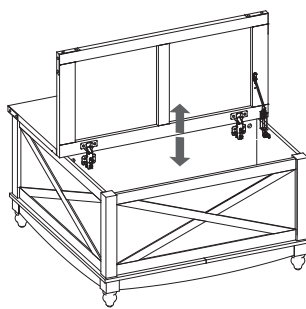
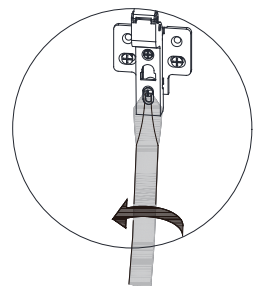
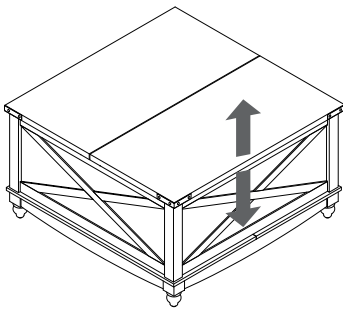
Adjust the hinge as your needs for lid position



Adjust the alignment of the left and right edges by means of the holes in this position

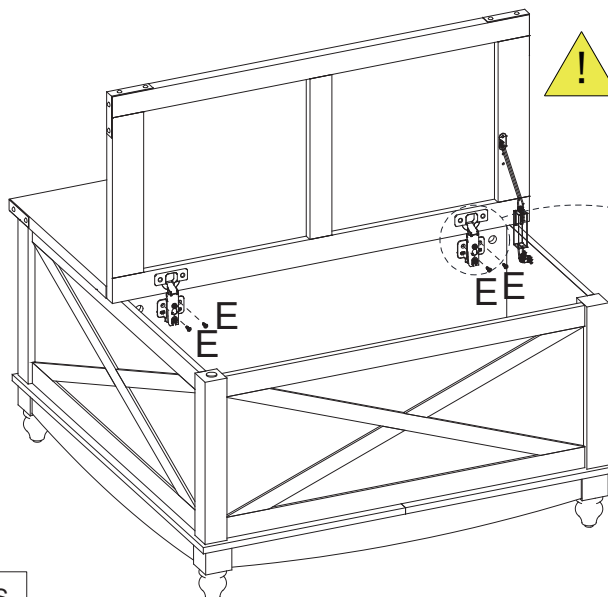


Adjust the crevice of the lid through the top hole in the middle of this part

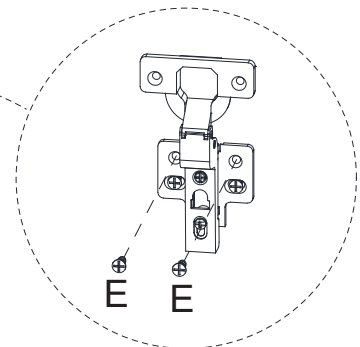


Adjust the height of the lid by means of the lower hole in the middle of this part

STEP 21



Secure the Door: Strengthening the Structure with Additional Screws.



E x 4PCS

Made in China

