

A

32PCS

B

31PCS

C

C1

C2

1PCS

D

4PCS

E

8PCS

F

3.5\*14

16PCS

G

3.5\*25

8PCS

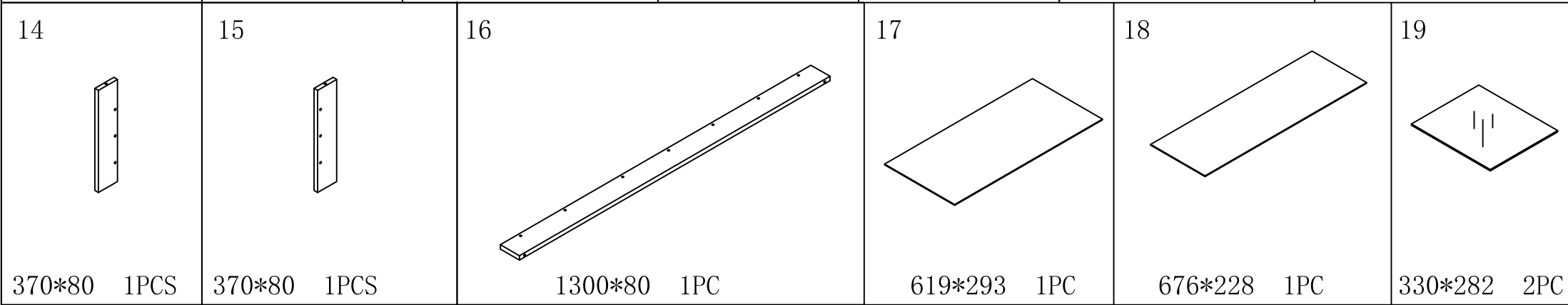
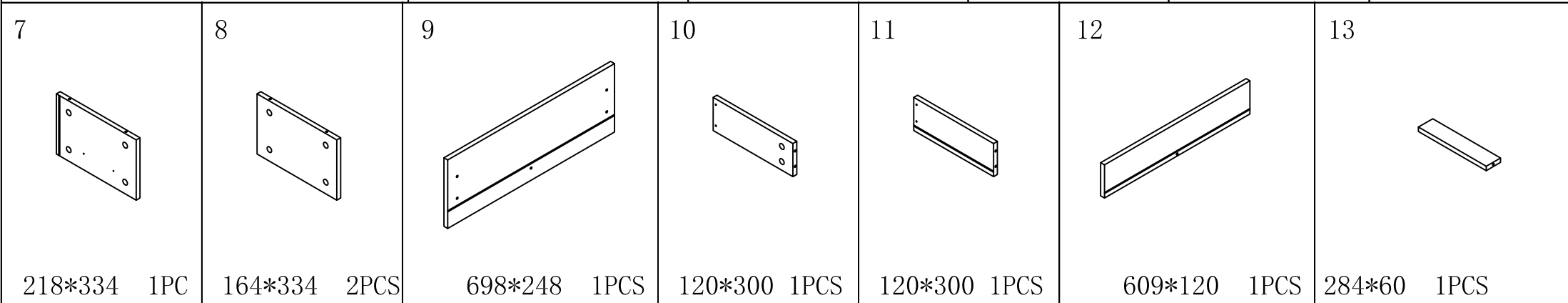
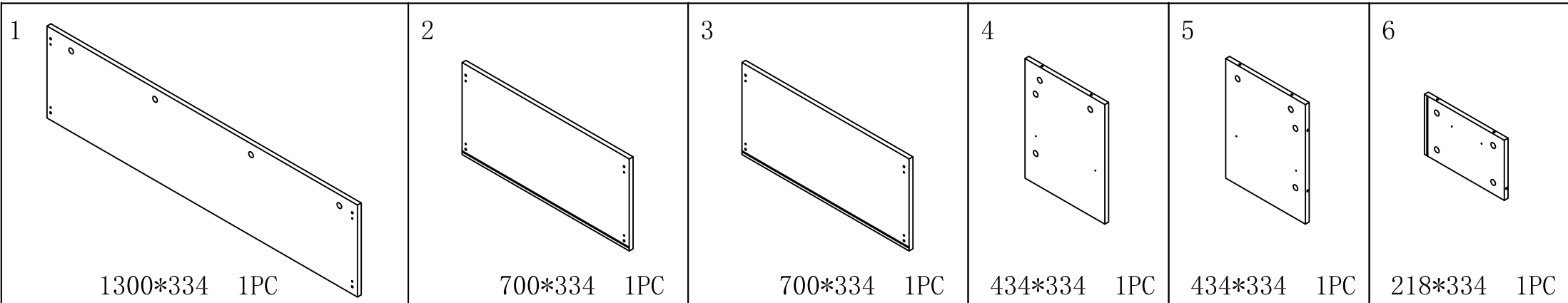
H

3.5\*35

4PCS

LED

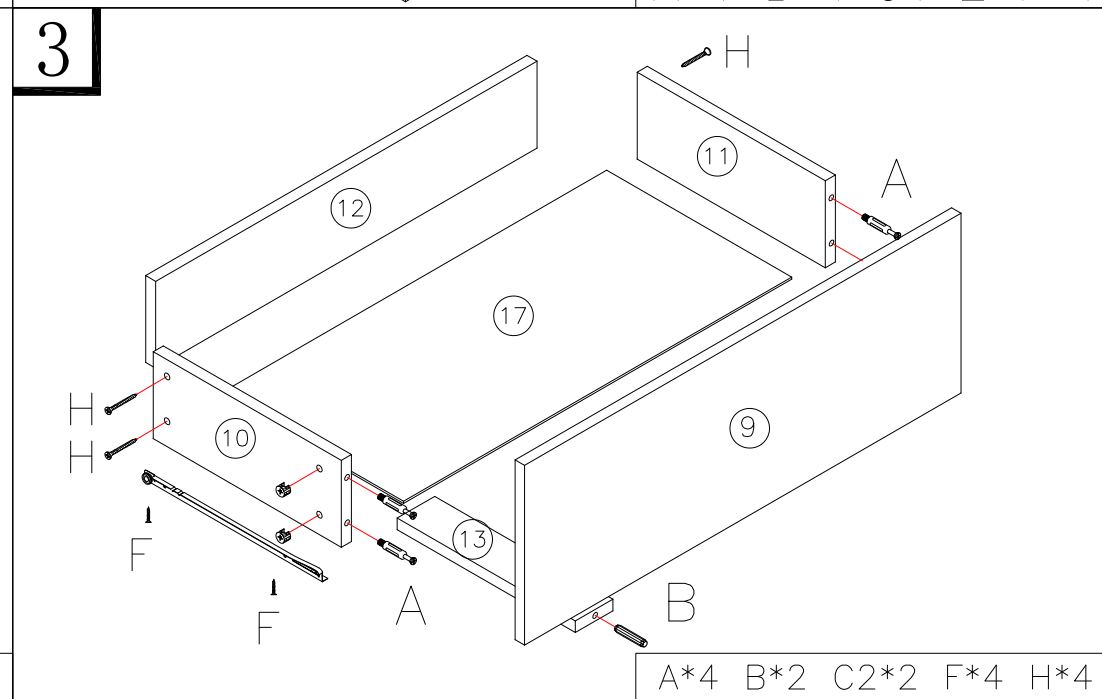
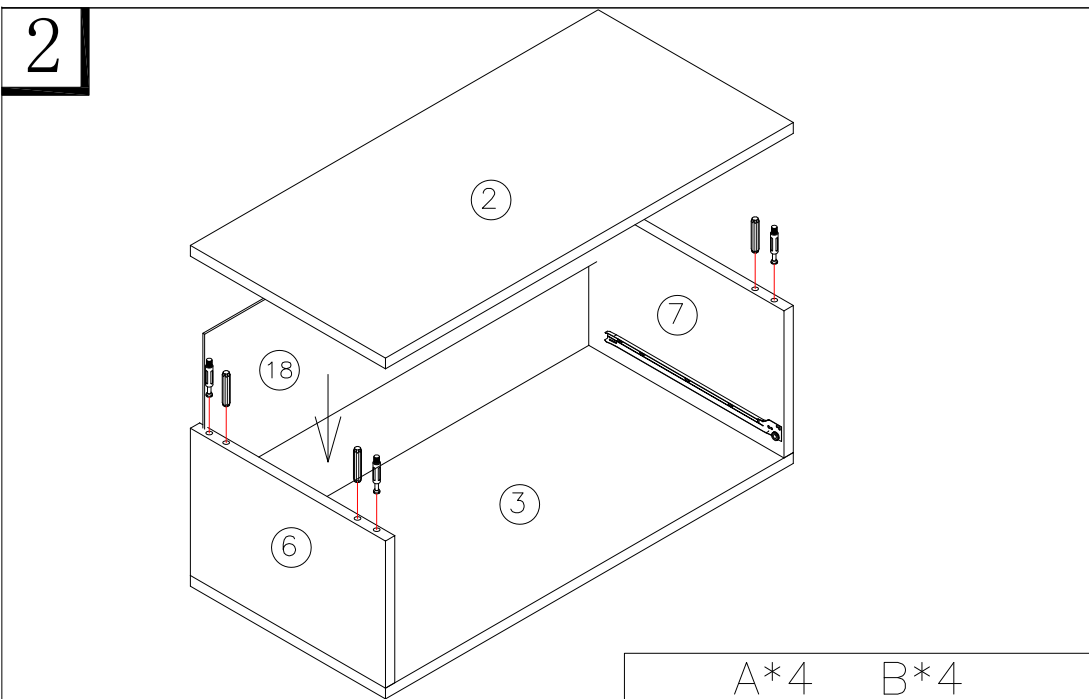
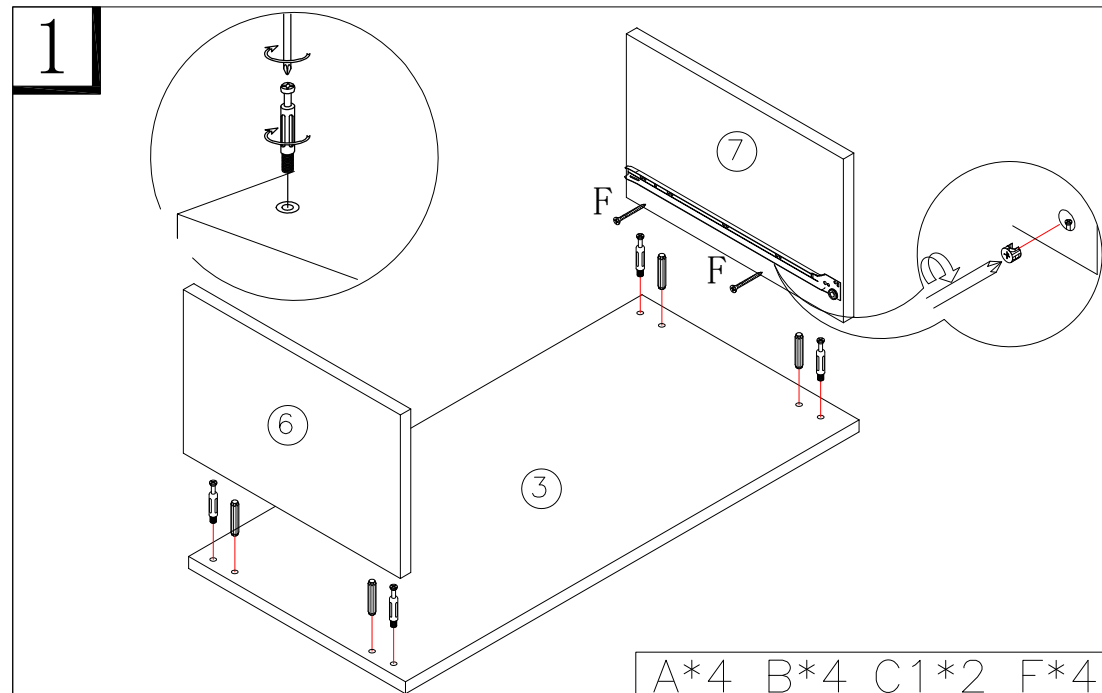
1PCS

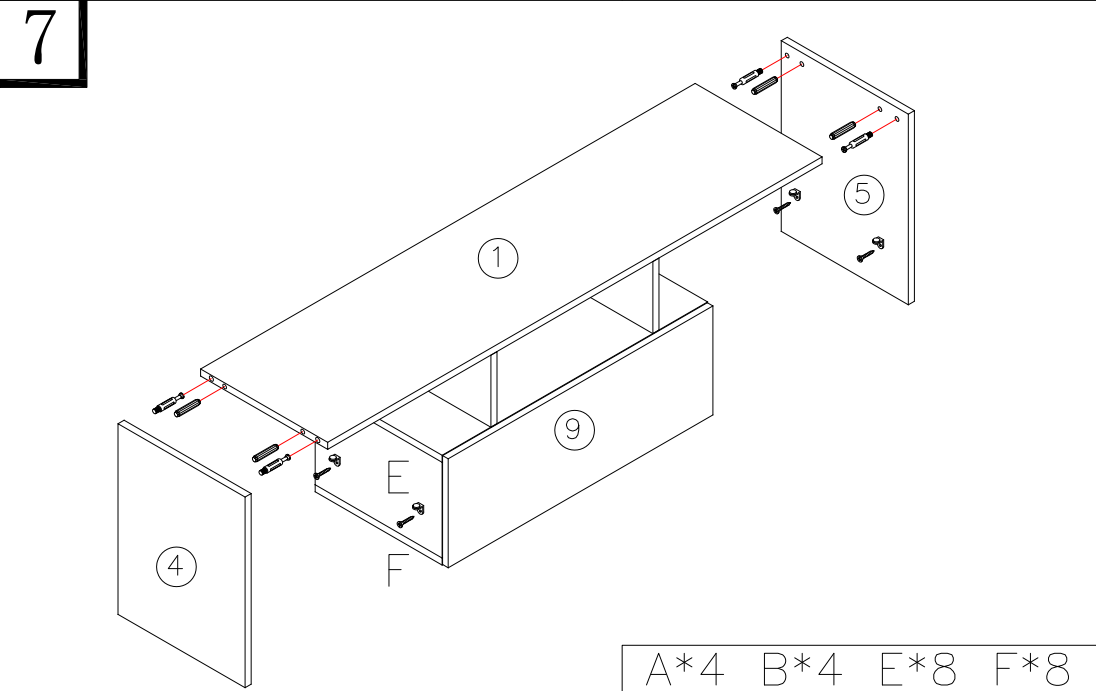
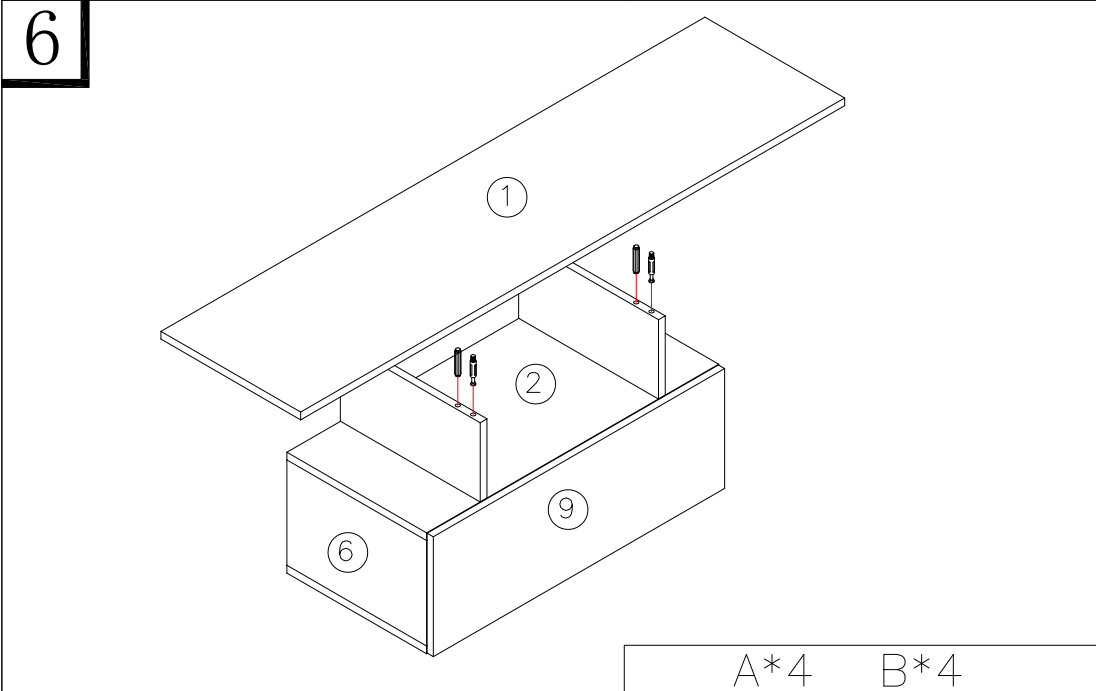
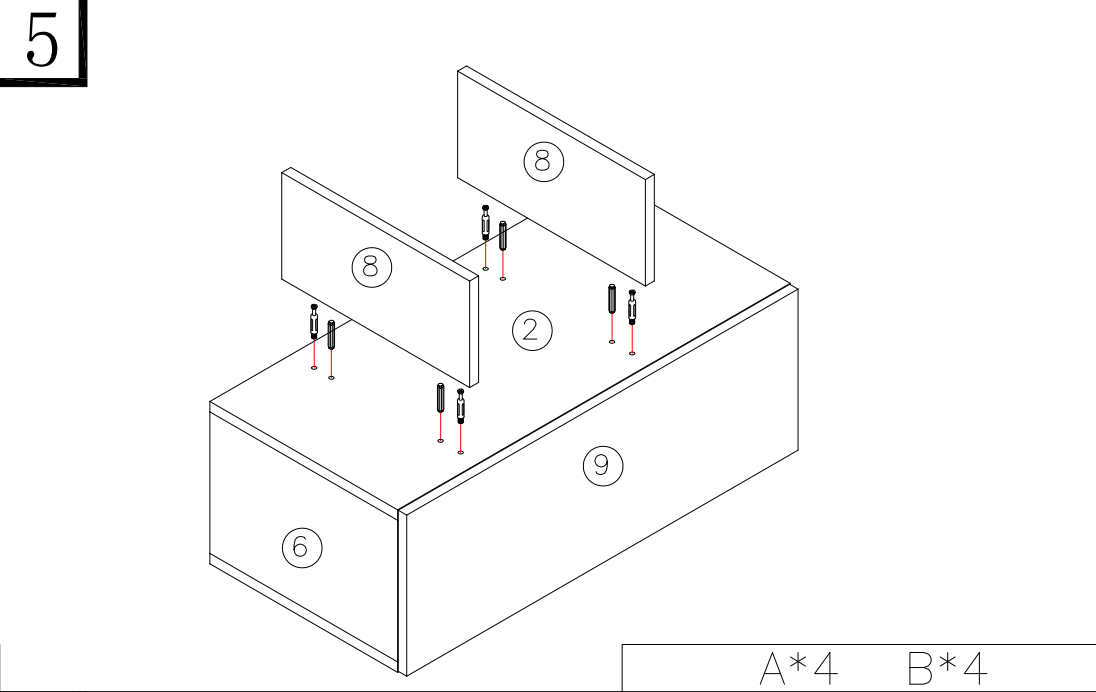
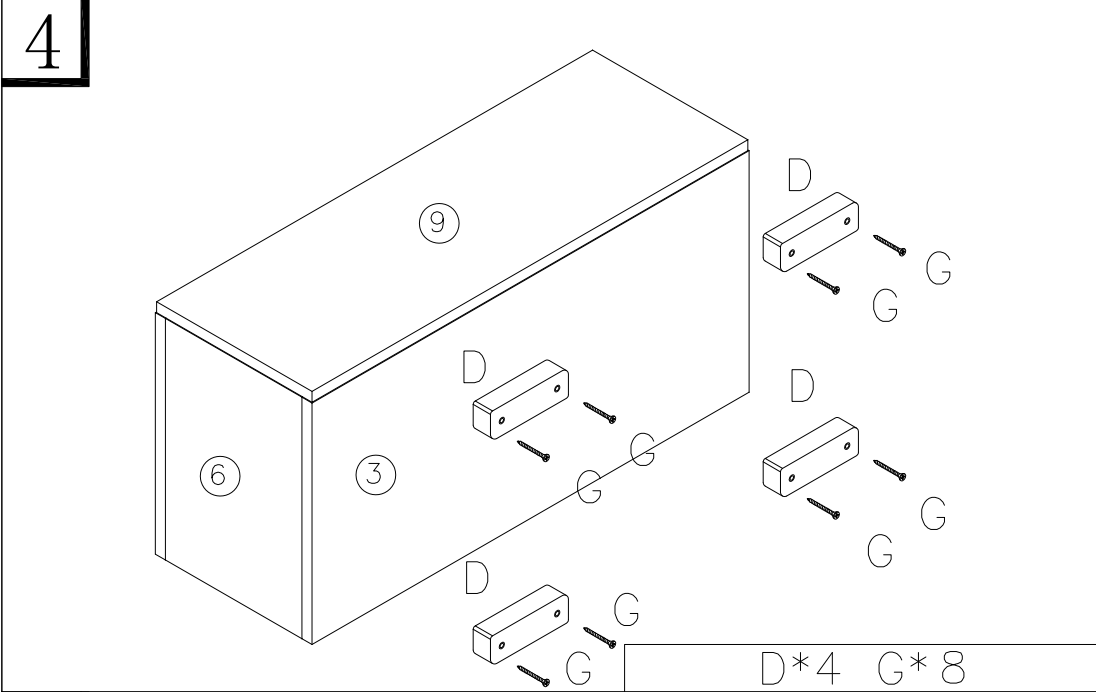


# NOTE:

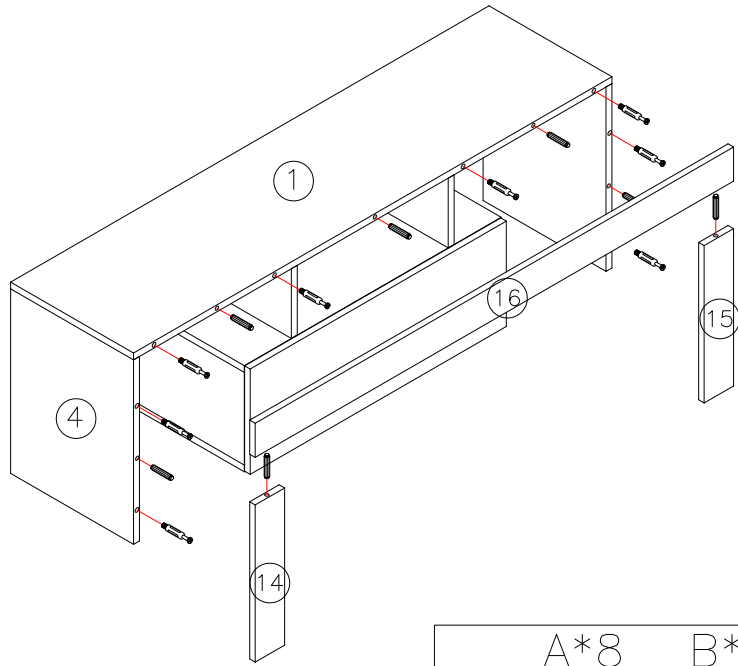
## STEP1

PLEASE LOCK HARDWARE A FIRST, THEN PUT HARDWARE C1 ON SIDE BOARD 6 AND 7 USING F\*4.





8



A\*8 B\*5

9

The following installation LED lights

