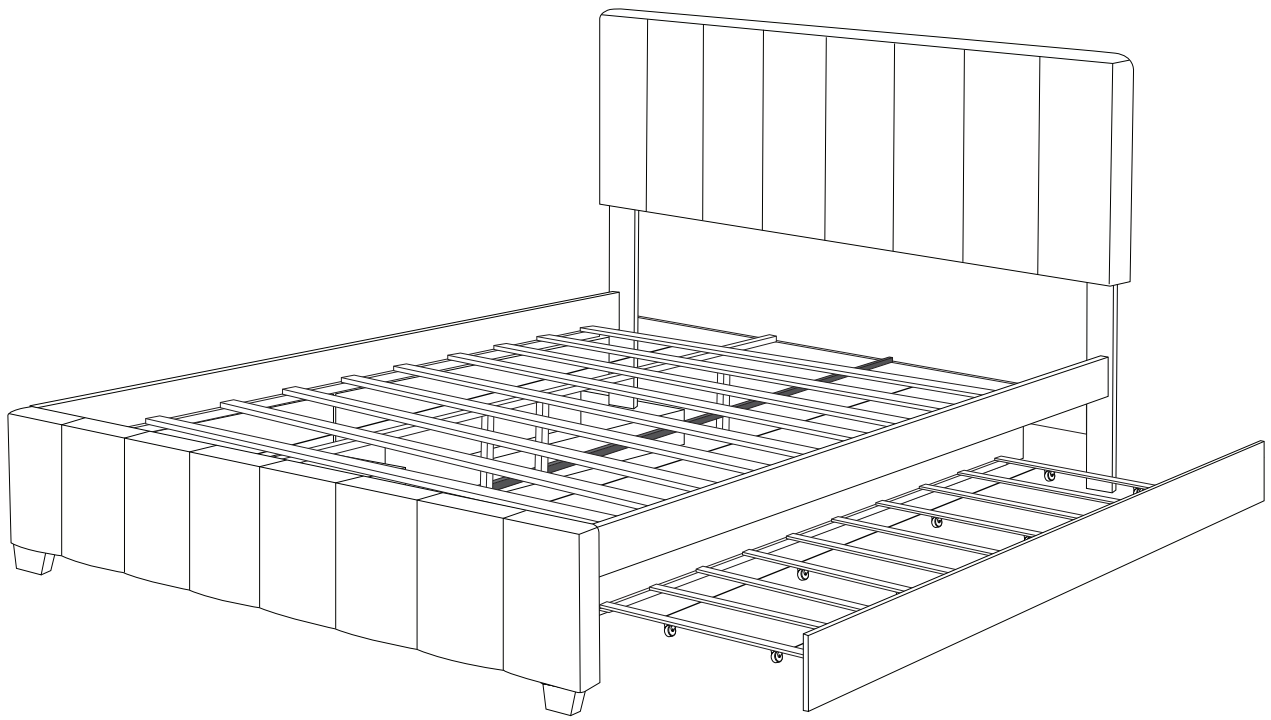
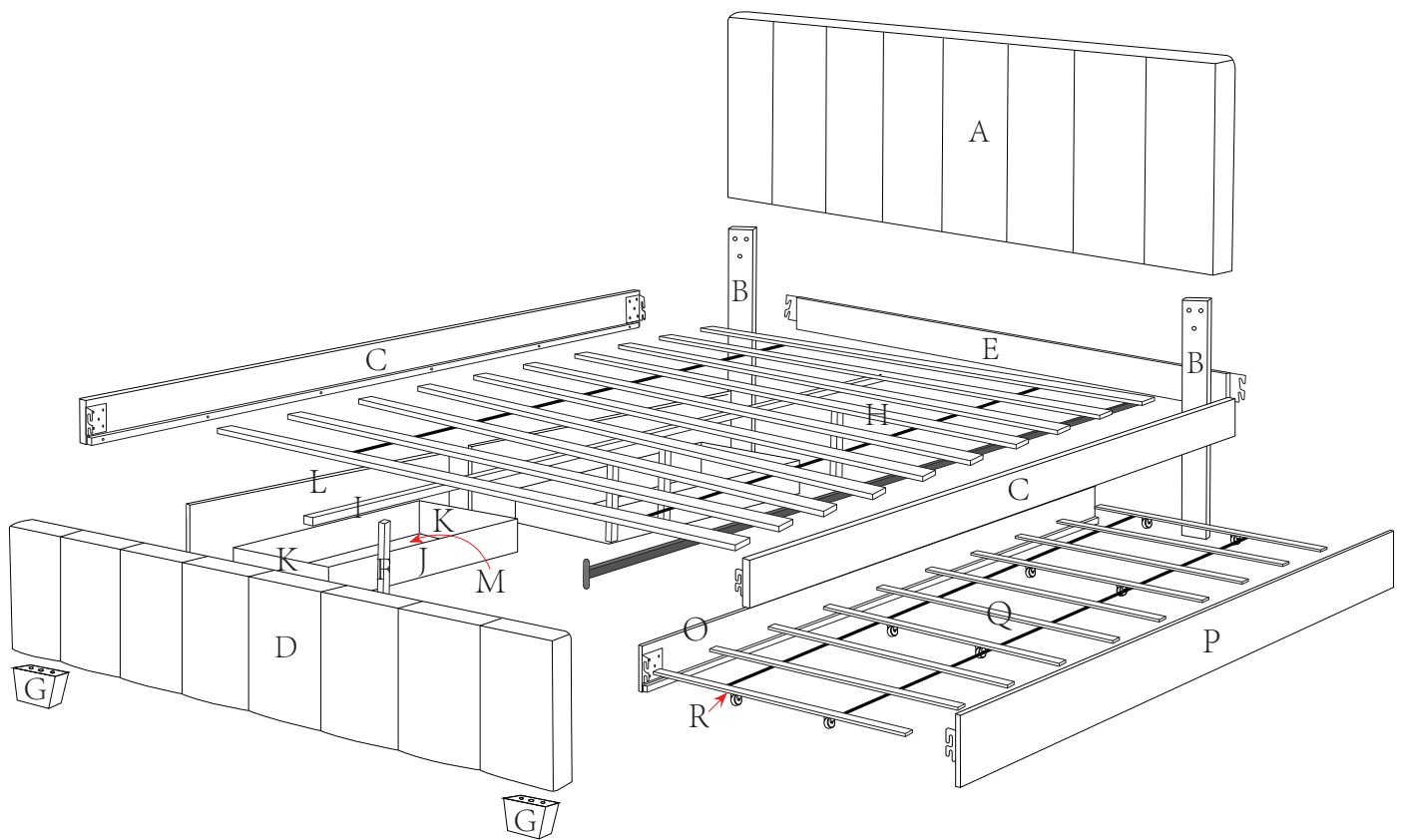


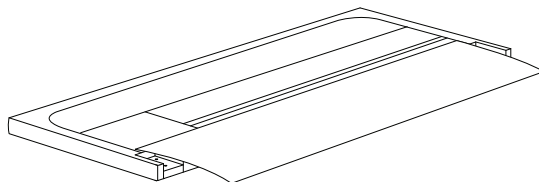
ASSEMBLY INSTRUCTION

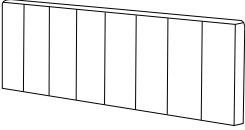
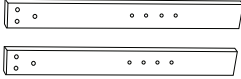

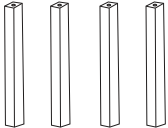
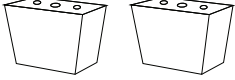
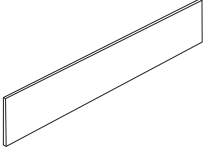
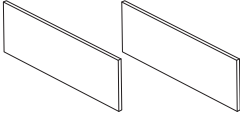
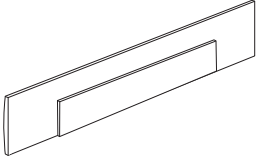
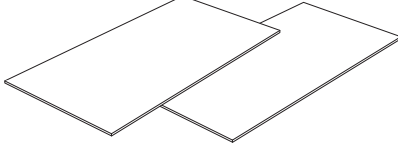


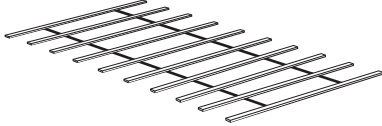
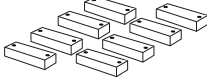
Detail View - TRUNDLE BED (QUEEN)

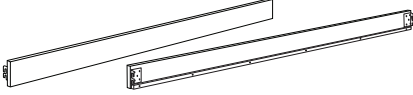
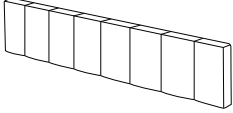
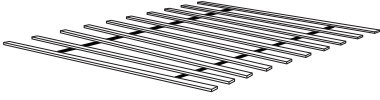

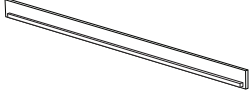
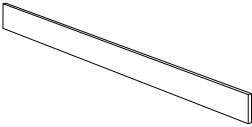



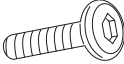
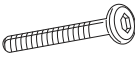
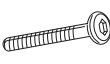
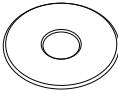

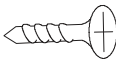
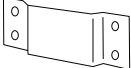

Bed Parts are shipped inside a compartment
in the back of the headboard.

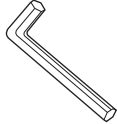



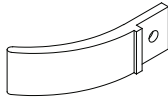


NO	PARTLIST	QTY
A	Headboard 	1 pc
B	Headboard Leg 	2 pcs
E	Headboard Support Bar 	1 pc
F	Center Support Leg 	4 pcs
G	Bed Leg 	2 pcs
J	Drawer Back Panel 	2 pcs
K	Drawer Side Panel 	4 pcs
L	Drawer Front Panel 	2 pcs
M	Drawer Bottom Panel 	2 pcs

NO	PART LIST	QTY
Q	Trundle Bed Slat 	10 pcs
R	Trundle Slat Cube 	8 pcs

	PART LIST	
C	Side Rail 	2 pcs
D	Footboard 	1 pc
H	Bed Slat Queen 	10 pcs
I	Center Support Rail 	1 pc
O	Trundle Long Panel (i) 	1 pc
P	Trundle Long Panel (ii) 	1 pc
S	Metal Center Rail 	1 pc

NO	HARDWARE LIST	QTY
1	JCBB M8 x 20mm 	8 pcs
2	JCBC M6 x 70mm 	6 pcs
3	JCBC M6 x 20mm 	2 pcs
4	JCBC M6 x 45mm 	8 pcs
5	JCBB M8 x 25mm 	4 pcs
6	Flat Washer M6 	7 pcs
7	Dowel M8 	4 pcs
8	Barrel Nut M6 	4 pcs
9	CSK M4 x 20mm 	10 pcs
10	U-Bracket 	1 pc
11	CSK M3.5 x 16mm 	56 pcs
12	CSK M4 x 30mm 	40 pcs
13	Allen Key M4(100mm) 	1 pc

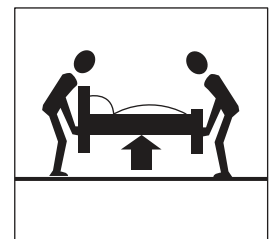
NO	HARDWARE LIST	QTY
14	Allen Key M5(65mm) 	1 pc
15	CSK M4 x 38mm 	16 pcs
16	Wheel 	16 pcs
17	CSK M4 x 32mm 	16 pcs
18	Stopper 	6 pcs

*Extra hardware provided.

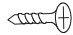
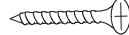

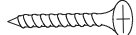
Read this instruction carefully. Remove all wrapping material, staples and straps from the carton. See hardware and furniture part list for guidance. Be sure you have all wooden furniture parts on a clean and flat surface, such as carpet or rug, to prevent from being scratched.

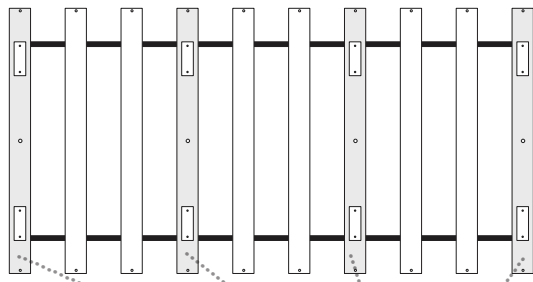
CAUTION :

1. Do not Full Tighten the nut or screw until all ready to assemble.
2. Do not Over Tighten the nut or screw to avoid causing damages to the thread.
3. Keep all hardware part out reach of children.

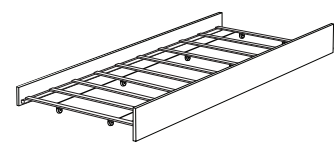


STEP 1 Trundle Bed x 1 pc

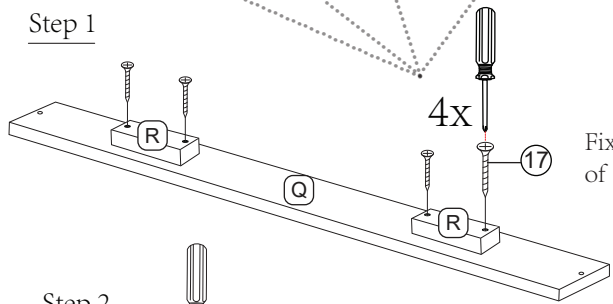
11	12	16	17
			
32 pcs	20 pcs	8 pcs	16 pcs



COMPLETED ASSEMBLY

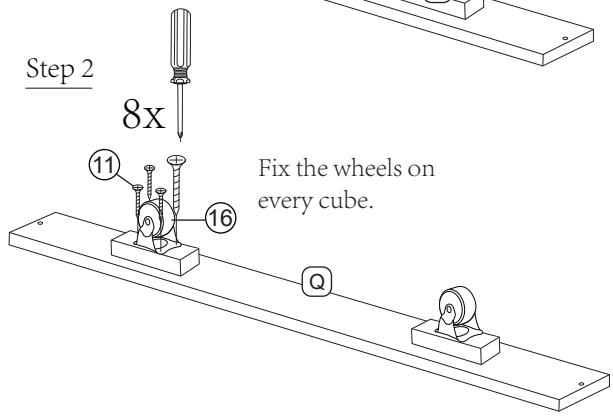


Step 1



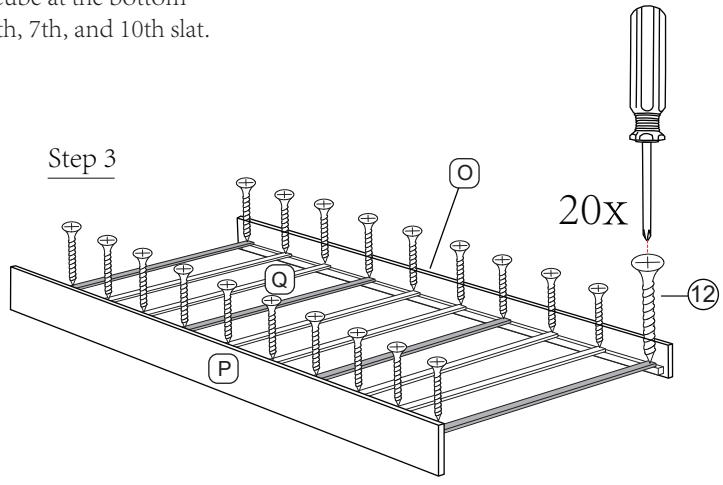
Fix the cube at the bottom of 1st, 4th, 7th, and 10th slat.

Step 2


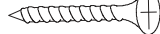



Fix the wheels on every cube.

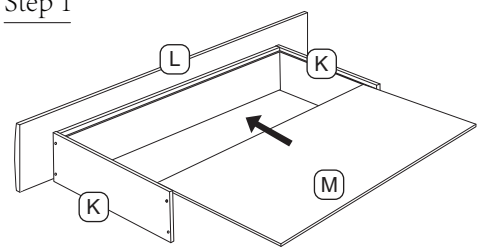
Step 3



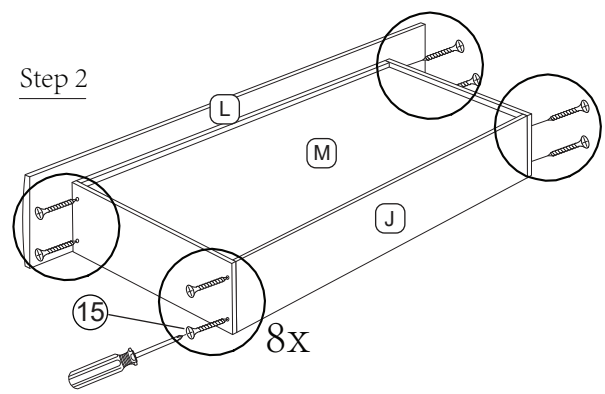
STEP 2 Drawer x 2 pcs

11	15	16
		
24 pcs	16 pcs	8 pcs

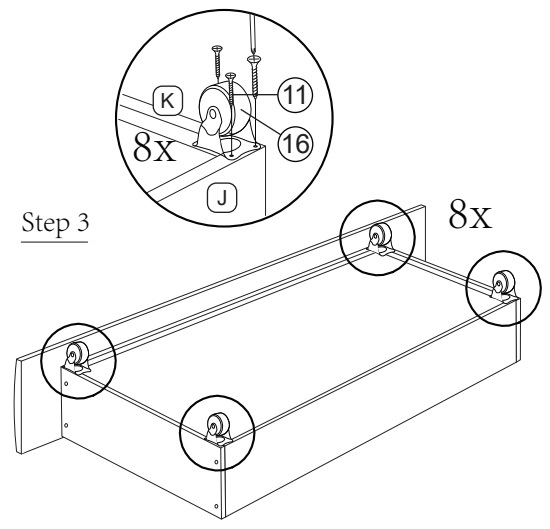
Step 1



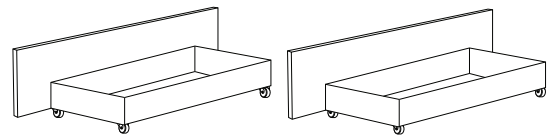
Step 2



Step 3

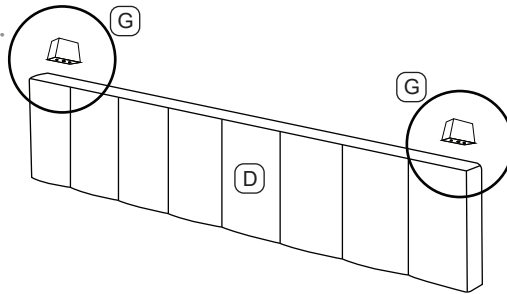
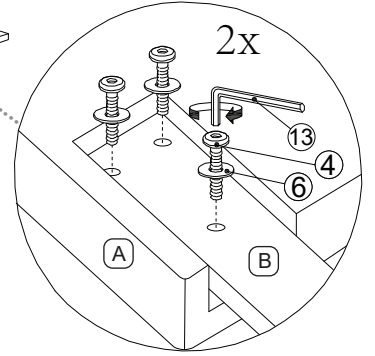
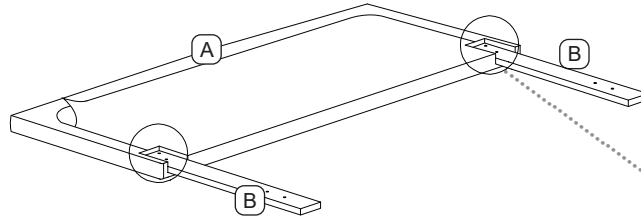
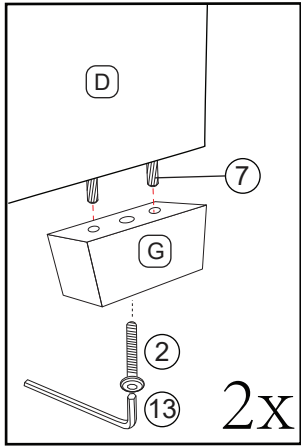


COMPLETED ASSEMBLY



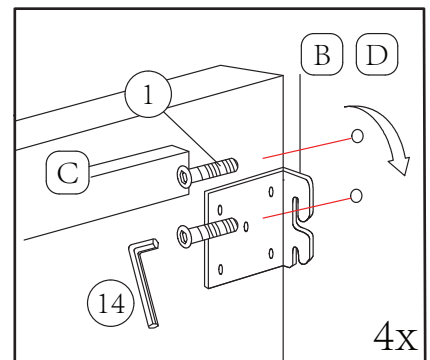
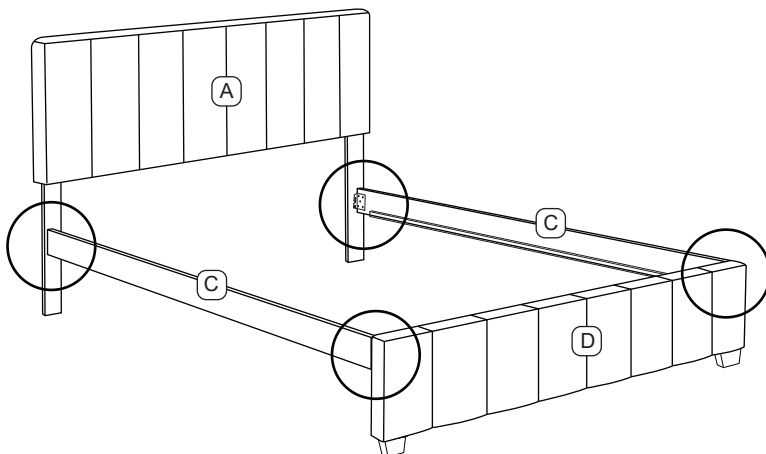
STEP 3

2	4	6	7
2 pcs	6 pcs	6 pcs	4 pcs

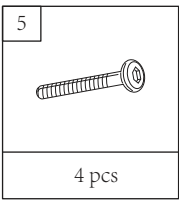
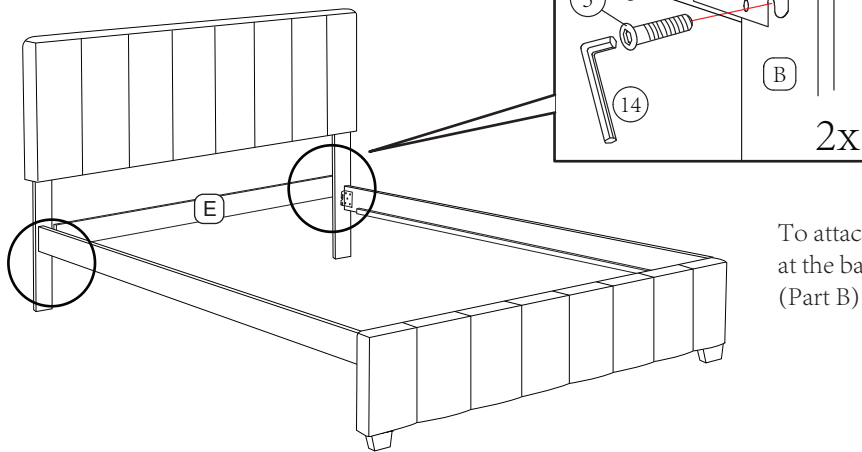


STEP 4

1
8 pcs



STEP 5

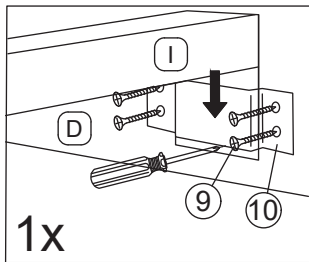
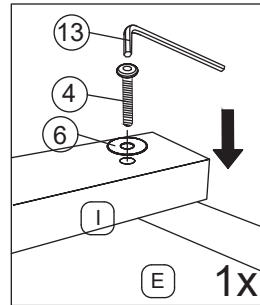
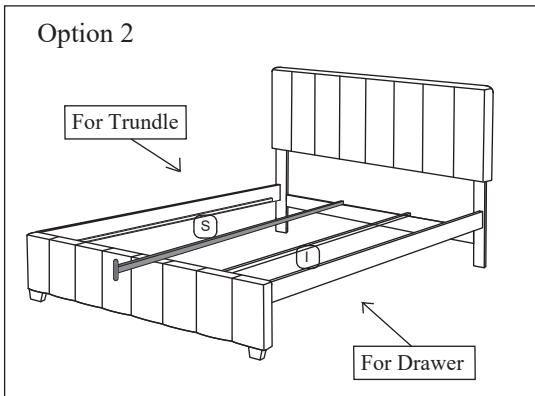


To attach the Headboard Support Bar at the backside to the Headboard Leg (Part B).

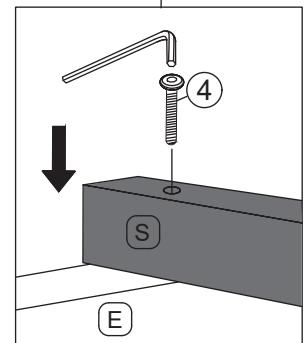
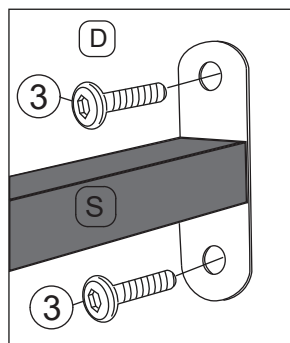
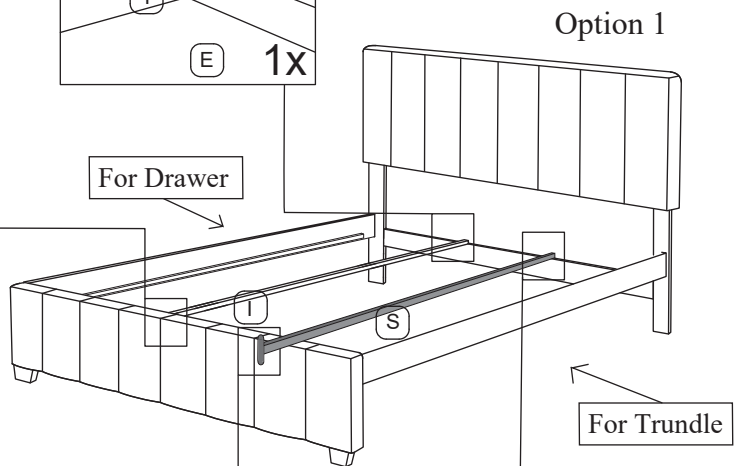
STEP 6

*Decide the side for trundle bed & drawers

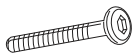

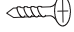
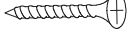

3	4	6	9	10
2 pcs	2 pcs	1 pc	4 pcs	1 pc

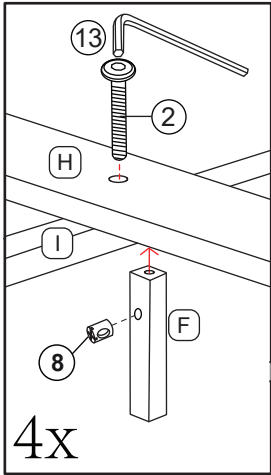


Follow the marking to attach the U-Bracket with Screw 20mm (4PCS) at Footboard.

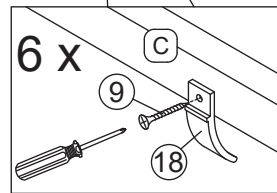
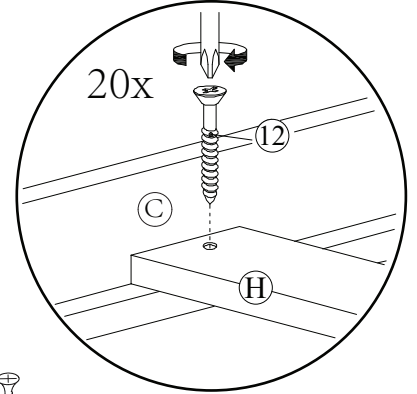
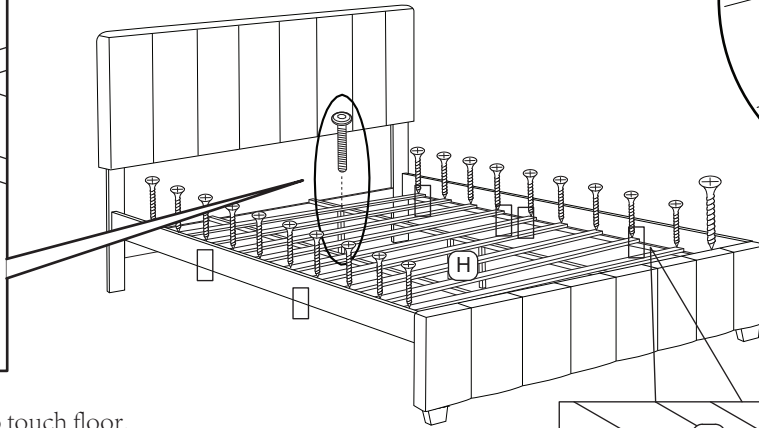


STEP 7

2	8	9	12	18
				
4 pcs	4 pcs	6 pcs	20 pcs	6 pcs



Adjust slat leveling feet to touch floor.



Optional:
Add drawer stopper
(2 drawer stopper for
each drawer and trundle)

Lastly, place the trundle bed & drawers inside.

COMPLETED
ASSEMBLY

