

# ASSEMBLY INSTRUCTIONS

ITEM#:N711P235693/N711P235694

## IMPORTANT NOTE

Place all parts on a lean and smooth surface such ass a rug or carpet to avoid the parts from being scratched.

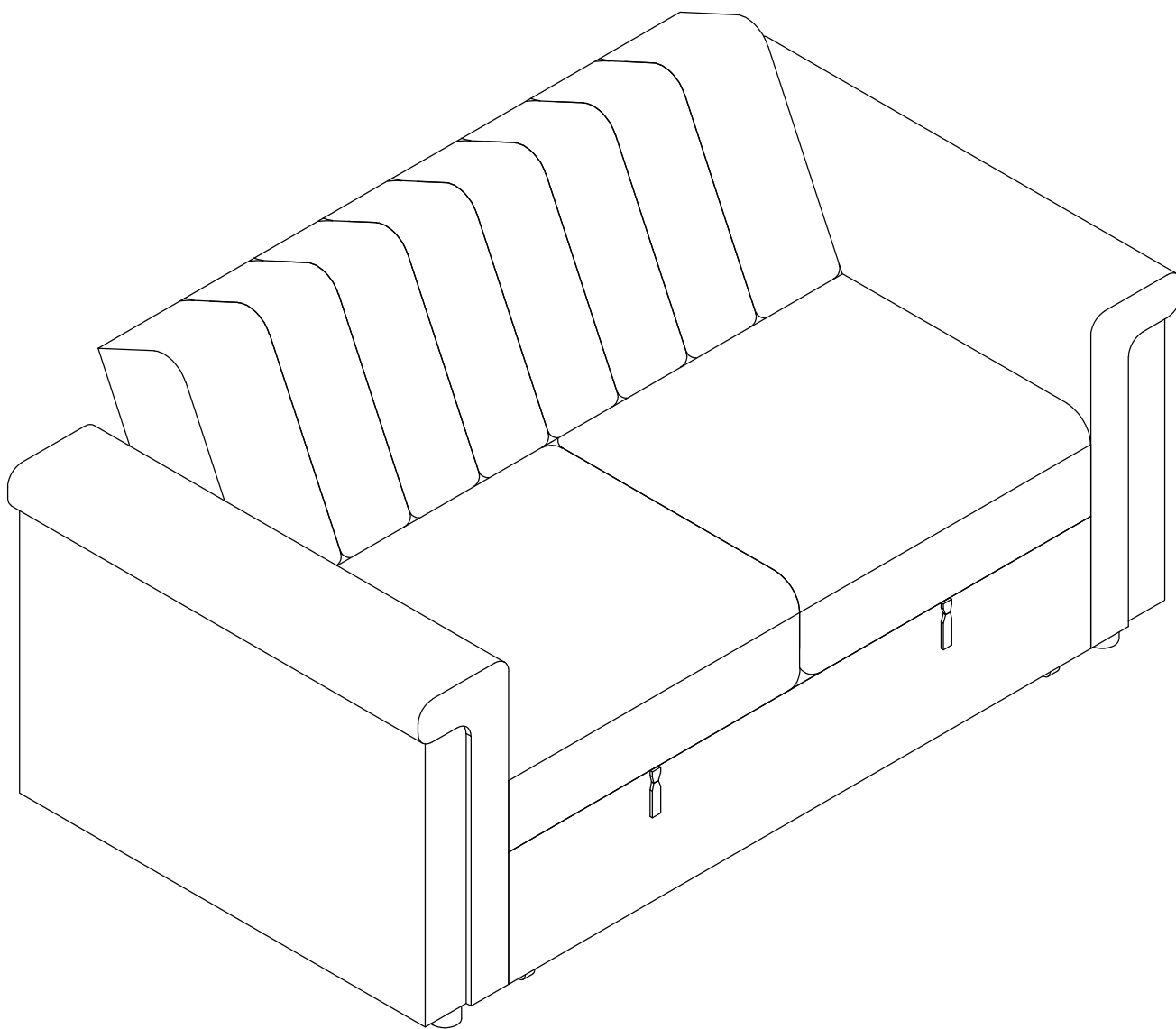
Before you begin, please review the assembly instruction step by step.

Return & Warranty policy:

-We strive to offer the highest quality products. We also provide positive solutions with replacements or refund if needed.

-If the itam is damaged or defective, please take photos to show the prolem and email to the seller.

-Please do not return back the products before contact the seller.



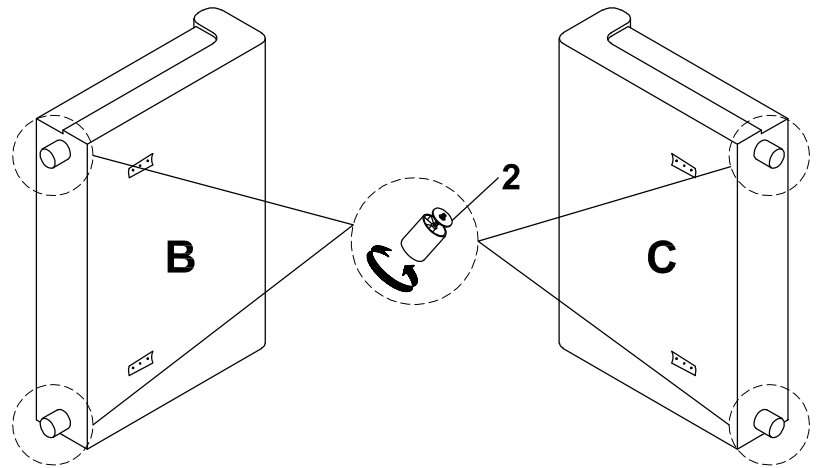
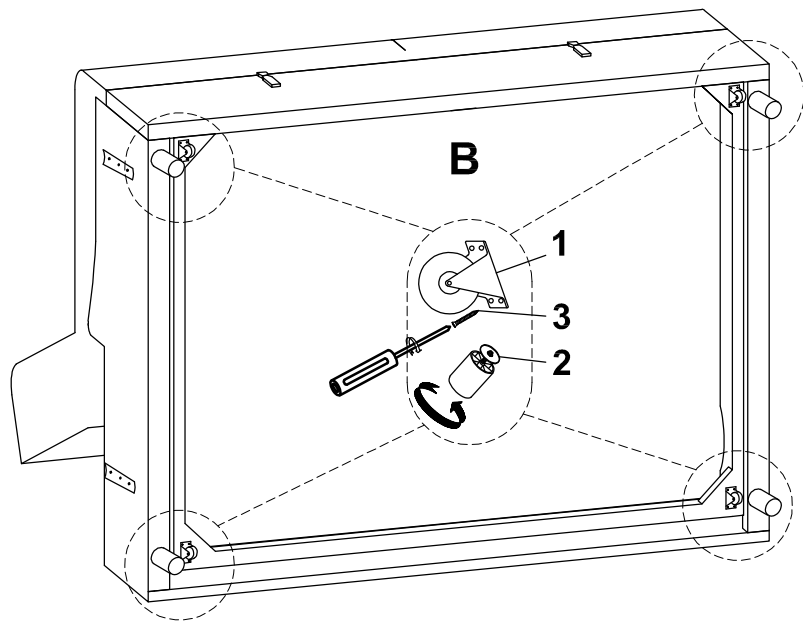
**PART LIST BOX 1 : N711P235693**

**PART LIST BOX 2 : N711P235694**

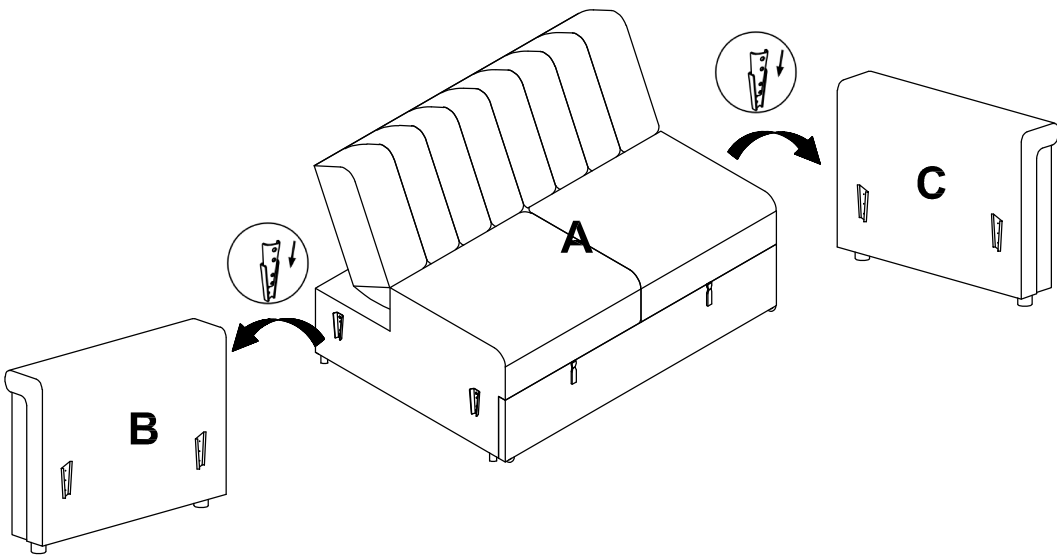
|  |   |   |
|--|---|---|
| <p><b>A</b></p> <p><b>LOVESEAT (1PC)</b></p> | <p><b>1</b></p> <p><b>WHEEL (4 PCS)</b></p> | <p><b>2</b></p> <p><b>LEG (4 PCS)</b></p> |
|--|---|---|

|                                       |  |   |
|---------------------------------------|--|---|
| <p><b>3</b></p> <p><b>16(PCS)</b></p> | <p><b>B</b></p> <p><b>LEFT ARM (1PC)</b></p> | <p><b>C</b></p> <p><b>RIGHT ARM (1PC)</b></p> |
|---------------------------------------|--|---|

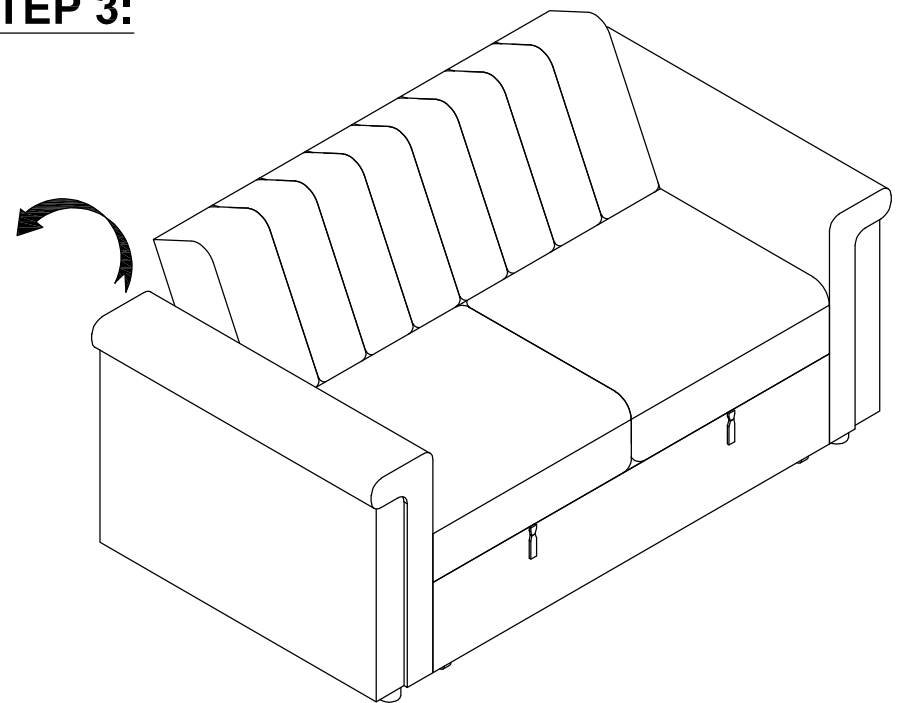
**STEP 1: ATTACH LEGS AND WHEELS TO SOFA, ARMS.**



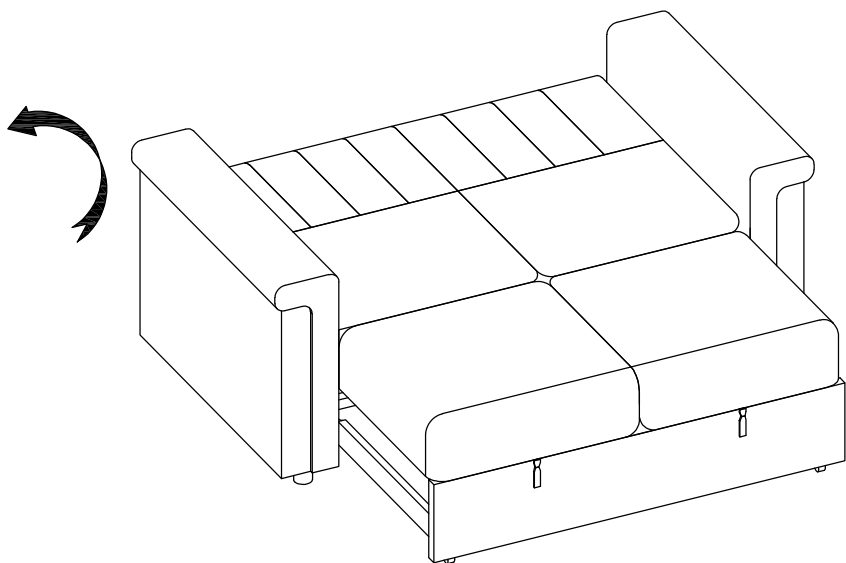
**STEP 2: ATTACH ARMS TO THE SOFA.**



**STEP 3:**



**STEP 3:**



**NOTE:**

It is very important when adjusting the backrest lift up , need to be lifted it up over the hook a bit to lock and need to hear "click" on both sides to make sure they are locked well .  
When one side is locked and the other side is till not locked well, the unlocked side will be easily damaged or broken when sitting with your back against to backrest.