

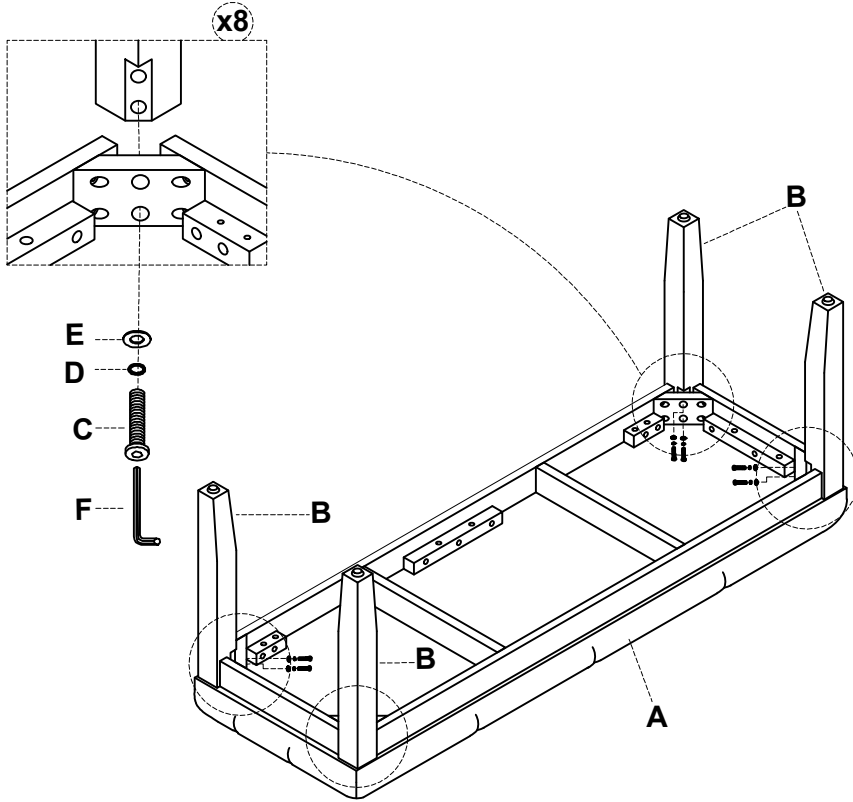
ASSEMBLY INSTRUCTION

Model: D1319BN

Description: BENCH

Thank you for purchasing this quality product. Be sure to check all packing material carefully for small parts that may have come loose inside the carton during shipment.

Step 1:



PARTS

A		Cushion With Frame	1pc
B		Table Leg	4pcs
HARDWARE LIST:			
C		Ø1/4*2"	8pcs
D		Ø5/16	8pcs
E		Ø5/16*22mm	8pcs
F		M5*68	1pcs

Step 3: Completed

