

# ASSEMBLY INSTRUCTIONS



*Fine Furniture for every stage of life*

## ***Storage Ottoman***

REVISION 0 : 11/29/2021  
REVISION 1 : 03/10/2022  
REVISION 2 : 03/18/2022  
REVISION 3 : 07/12/2022  
REVISION 4 : 05/26/2023  
REVISION 5 : 02/28/2025

# ASSEMBLY INSTRUCTIONS

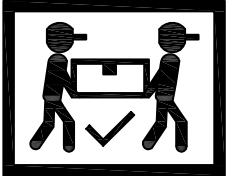
## ASSEMBLY TIPS:

1. Remove hardware from box and sort by size.
2. Please check to see that all hardware and parts are present prior to start of assembly.
3. Please follow attached instruction in the same sequence as numbered to assure fast & easy assembly.



### WARNING!

1. Don't attempt to repair or modify parts that are broken or defective. Please contact the store immediately.
2. This product is for home use only and not intended for commercial establishment.



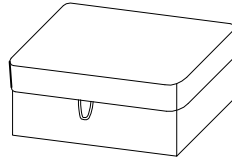
ASSEMBLY TIME

5 MINUTES

## PARTS IDENTIFICATION

AV

OTTOMAN FRAME



1PC

BV

LEG



4PCS

## HARDWARE IDENTIFICATION

1

**BOLT**  
(5/16" x 35MM - BLK)



12PCS

2

**ALLEN WRENCH**  
(M4 x 75MM - BLK)



1PC

3

**LOCK WASHER**  
(5/16" x 2MM - BLK)



12PCS

4

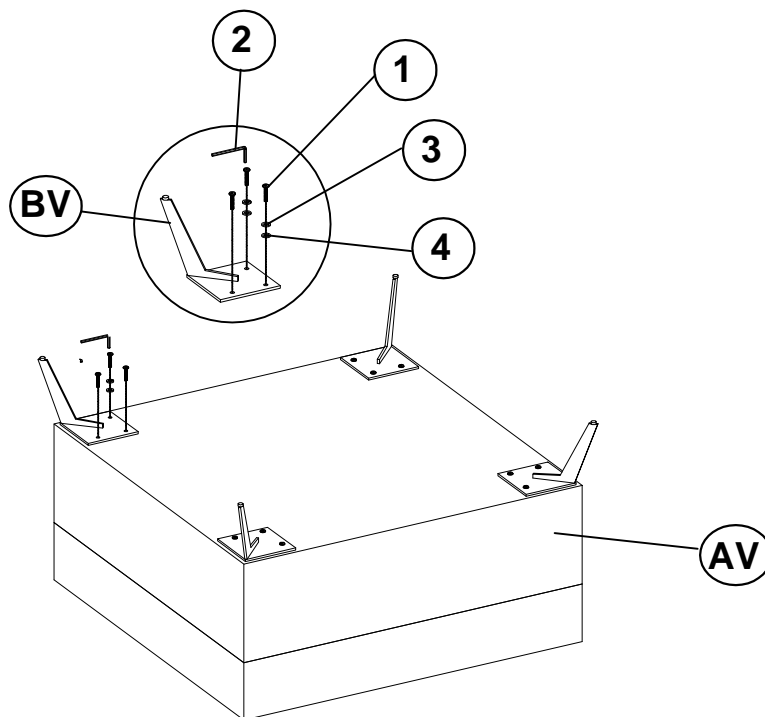
**FLAT WASHER**  
(5/16" x 2MM - BLK)



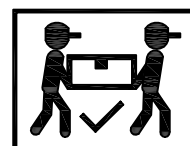
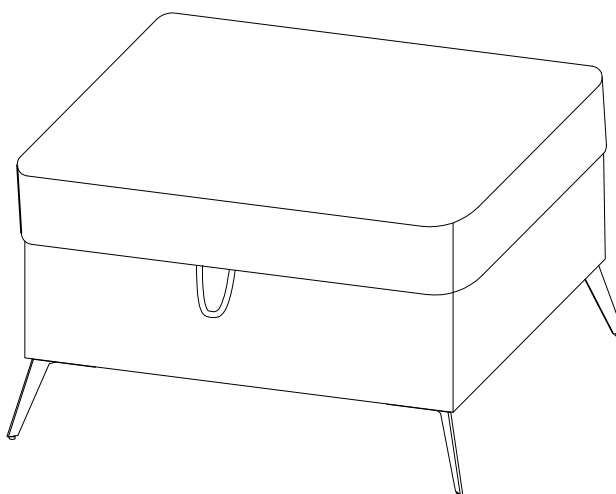
12PCS

# ASSEMBLY INSTRUCTIONS

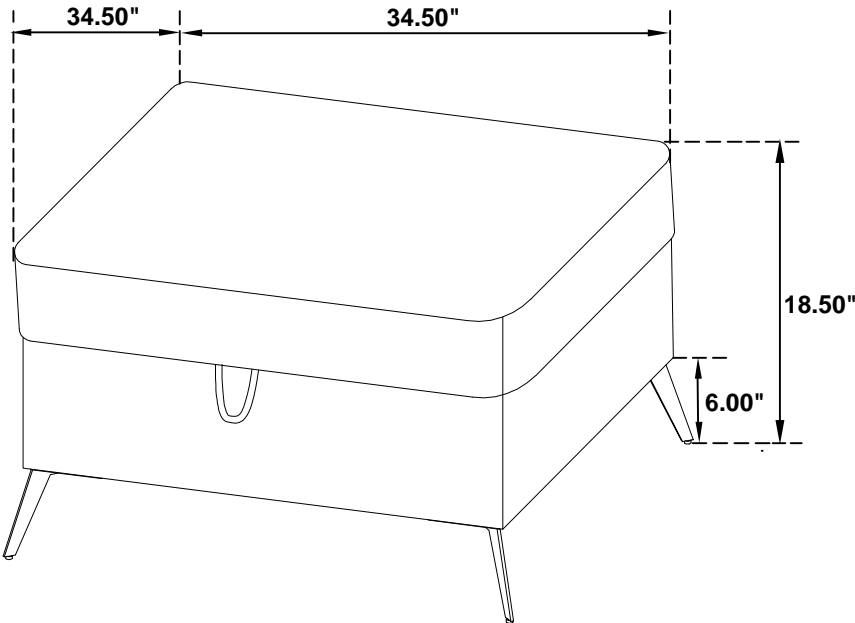
## STEP 1



## STEP 2 COMPLETE



**Inner Size: 31.50"W X 31.50"D X 4.50"H**



**Note: Dimension tolerance  $\pm 5\%$**