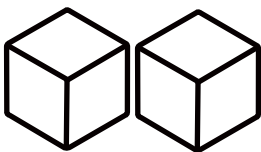
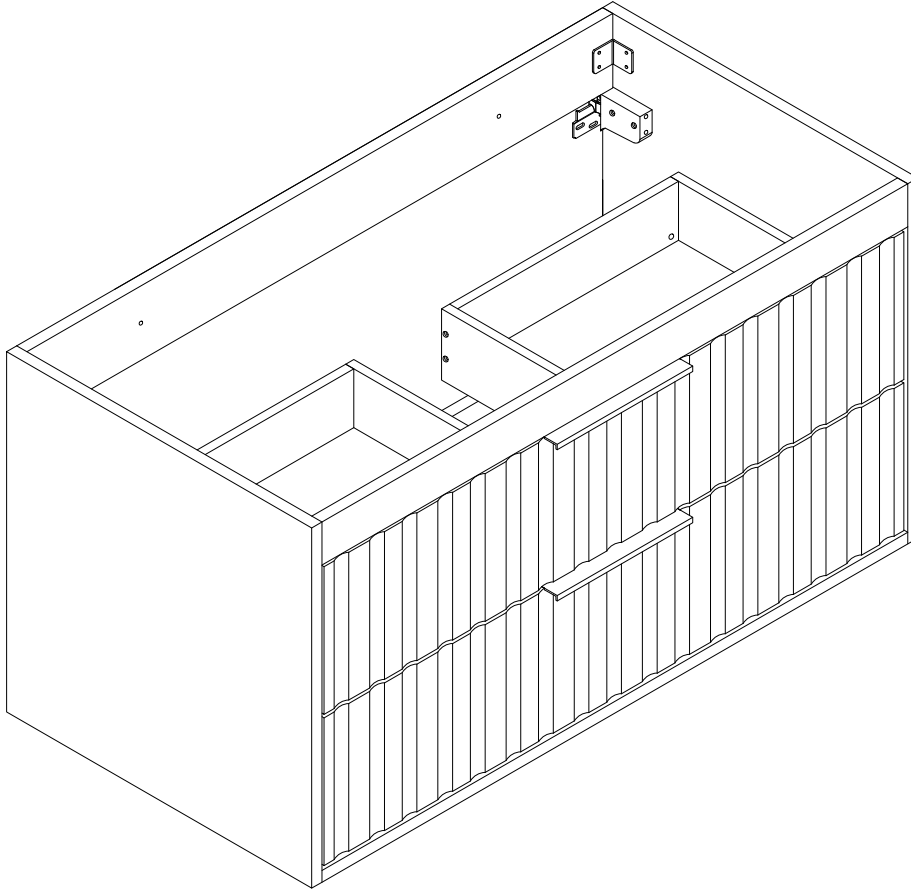


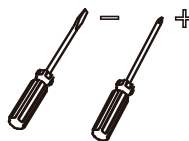
NFN126



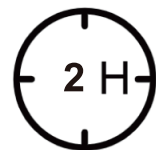
delivered in
2 separate boxes



2 person



tools require



2 hours need

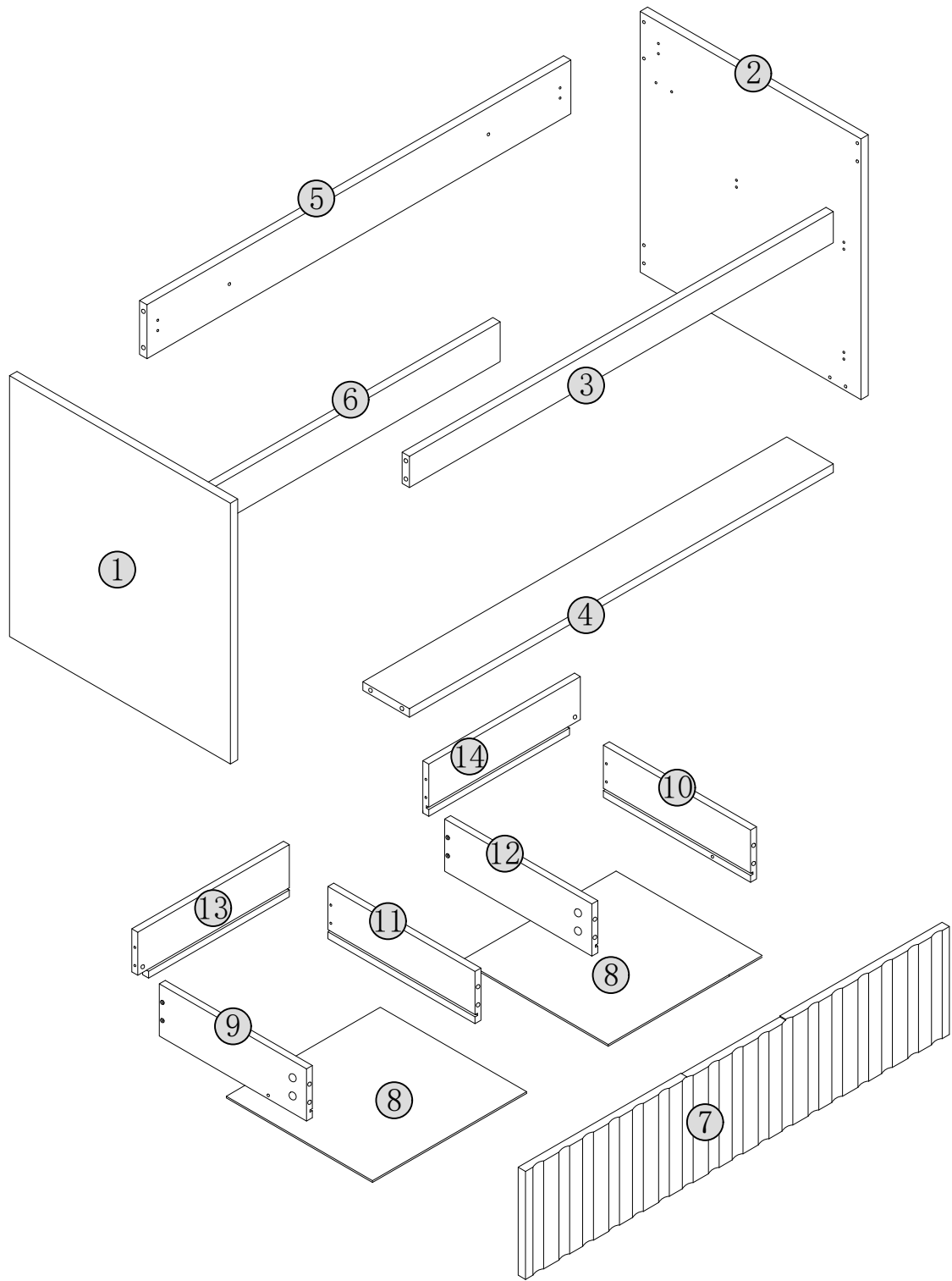
Verify the item number on the box before installing. If it's not correct, stop and contact us immediately. This Bathroom Vanity (NFN126) requires the Sink (SKU: Nfq002).



PLEASE BE CAREFUL DO NOT DAMAGE THE HOLE POSITION WHEN YOU USE POWER TOOLS !

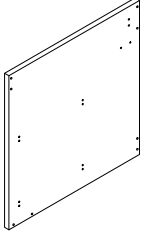
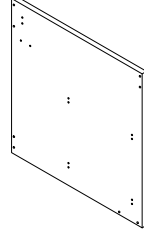
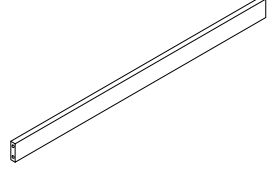
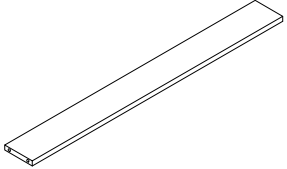
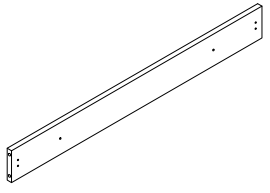
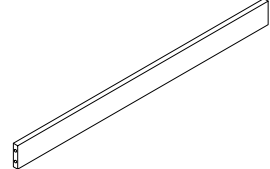
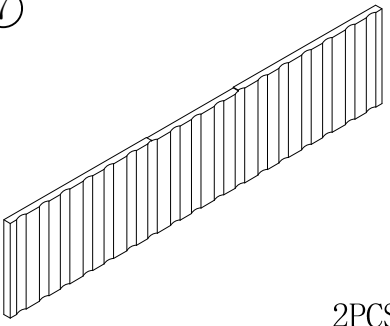
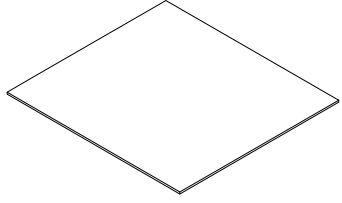
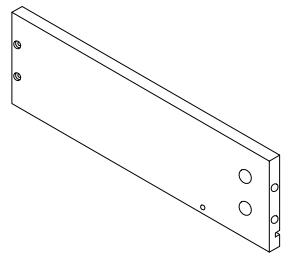
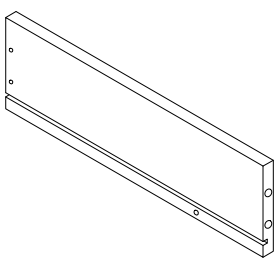
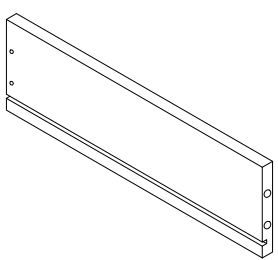
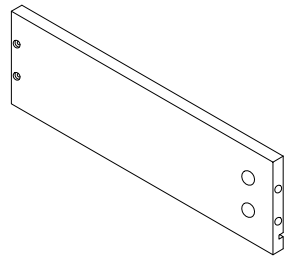
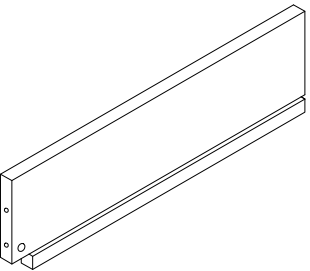
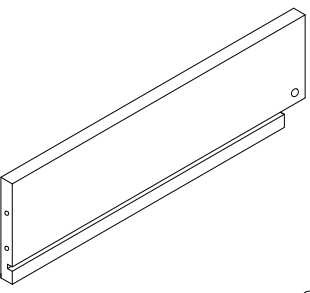
E-mail: service@replycenter.net

EXPLODED DRAWING:



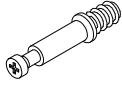
×2

PARTS LIST

<p>①</p>  <p>1PC</p>	<p>②</p>  <p>1PC</p>	<p>③</p>  <p>1PC</p>
<p>④</p>  <p>1PC</p>	<p>⑤</p>  <p>1PC</p>	<p>⑥</p>  <p>1PC</p>
<p>⑦</p>  <p>2PCS</p>	<p>⑧</p>  <p>4PCS</p>	<p>⑨</p>  <p>2PCS</p>
<p>⑩</p>  <p>2PCS</p>	<p>⑪</p>  <p>2PCS</p>	<p>⑫</p>  <p>2PCS</p>
<p>⑬</p>  <p>2PCS</p>	<p>⑭</p>  <p>2PCS</p>	

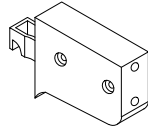
HARDWARE LIST

A × 32

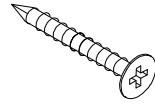


φ6 × 35mm

B × 2

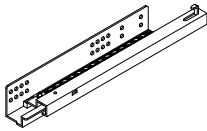


C × 20

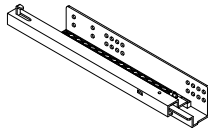


φ4 × 30mm

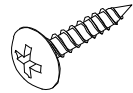
D × 2



E × 2



F × 16



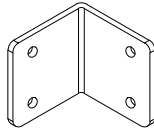
φ4 × 12mm

G × 32

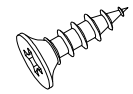


φ15 × 10mm

H × 2

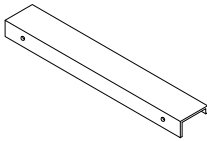


I × 12

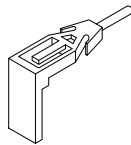


φ3 × 12mm

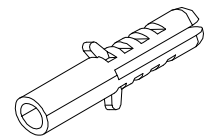
J × 2



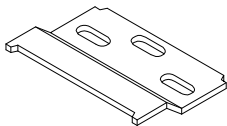
K × 4



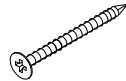
L × 8



M × 2

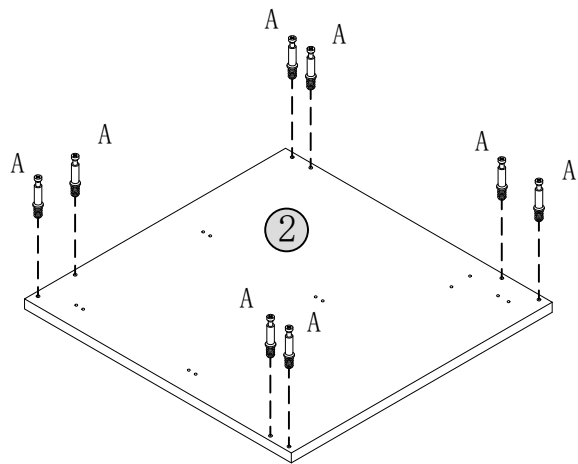
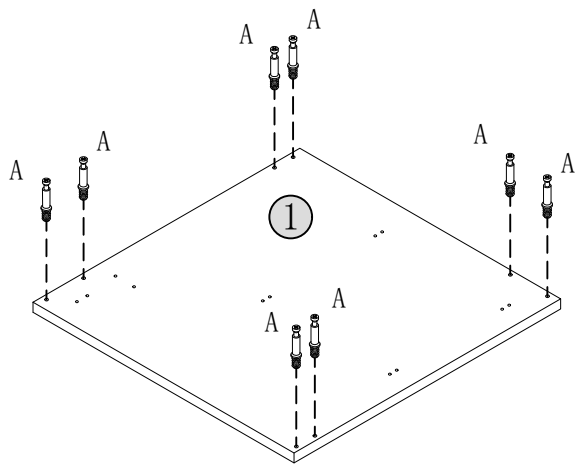


N × 8



φ4 × 40mm

1

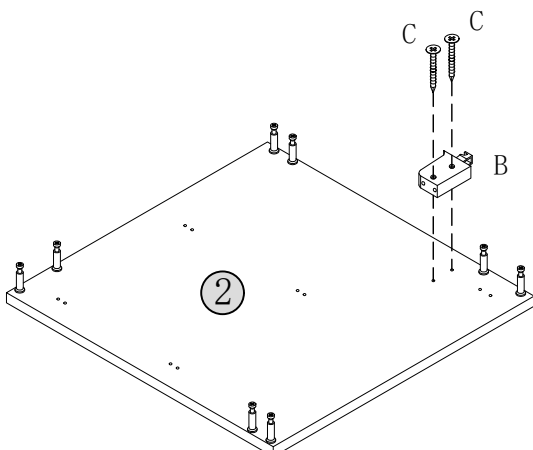
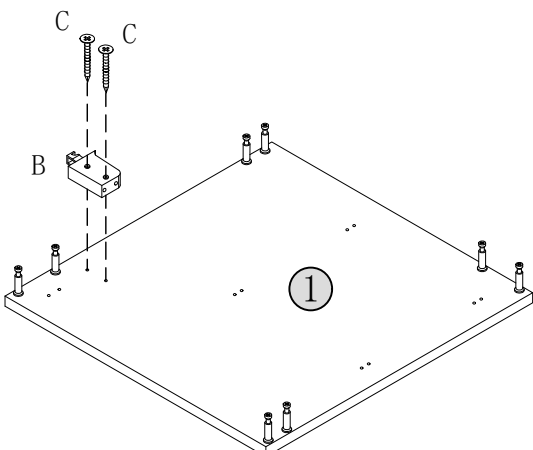
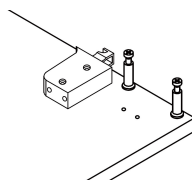


A × 16
∅6 × 35mm

2

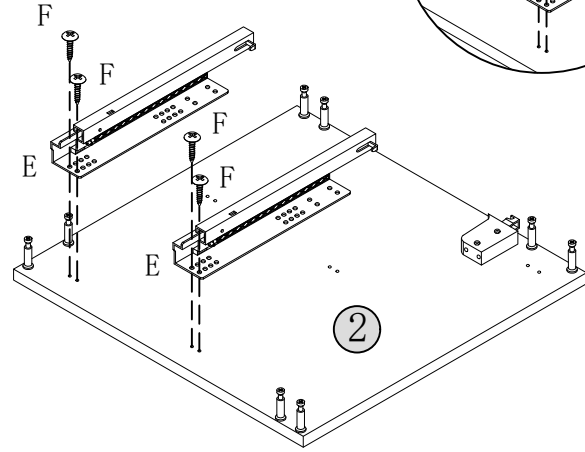
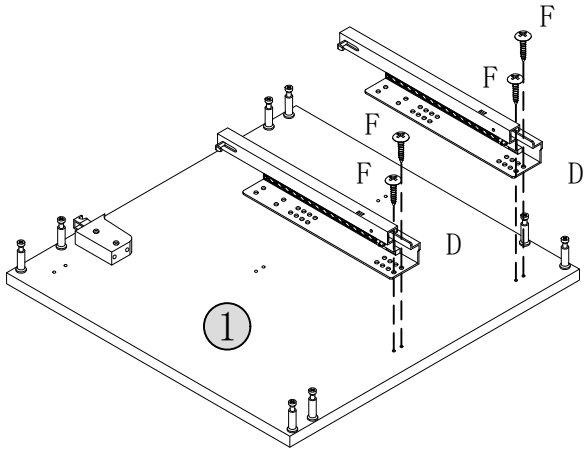


Note: That the hanging device hooks are oriented toward the inside of the board.



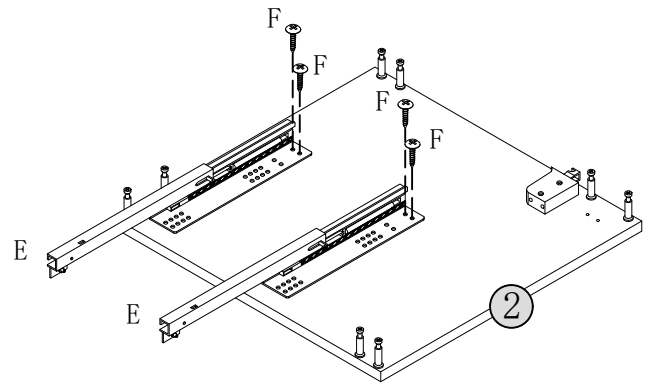
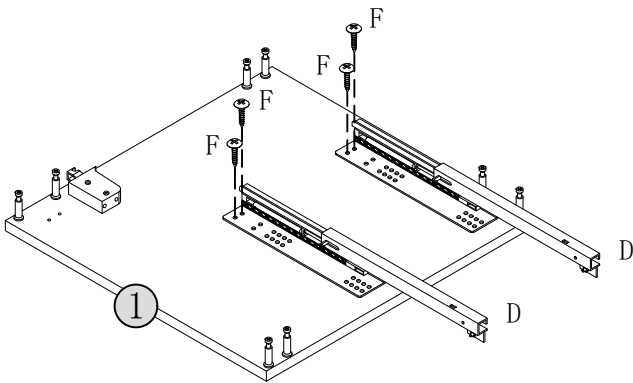
B × 2	C × 4
	∅4 × 30mm

3



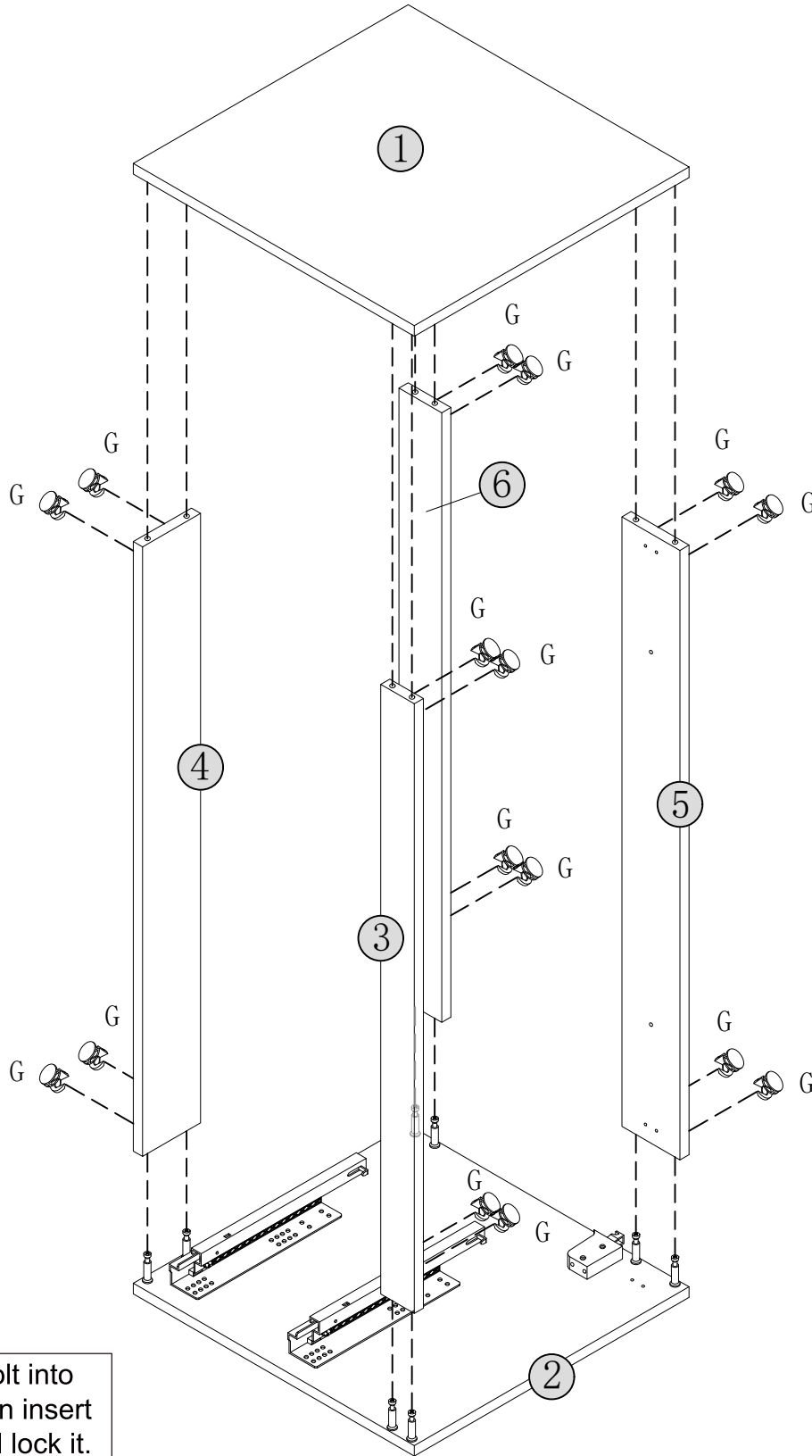
D × 2	E × 2	F × 8
		Ø4 × 12mm

4

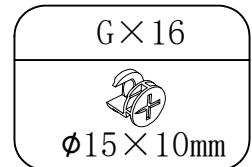
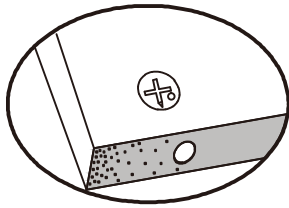
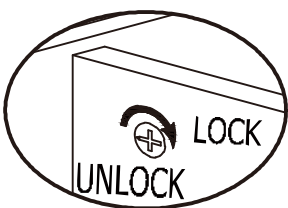


F × 8
Ø4 × 12mm

5

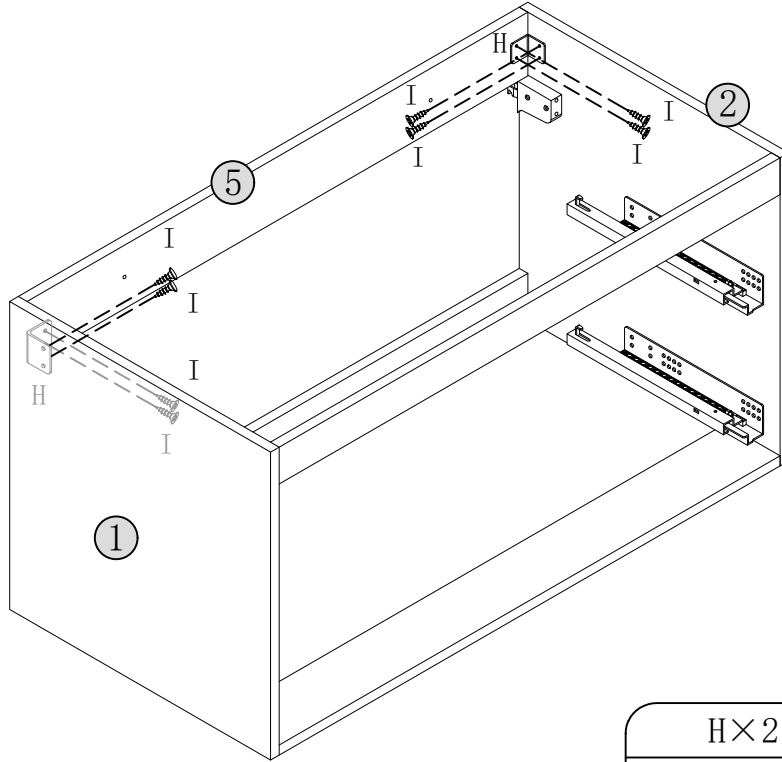


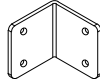
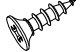
Insert the cam bolt into the hole first, then insert the cam lock and lock it.



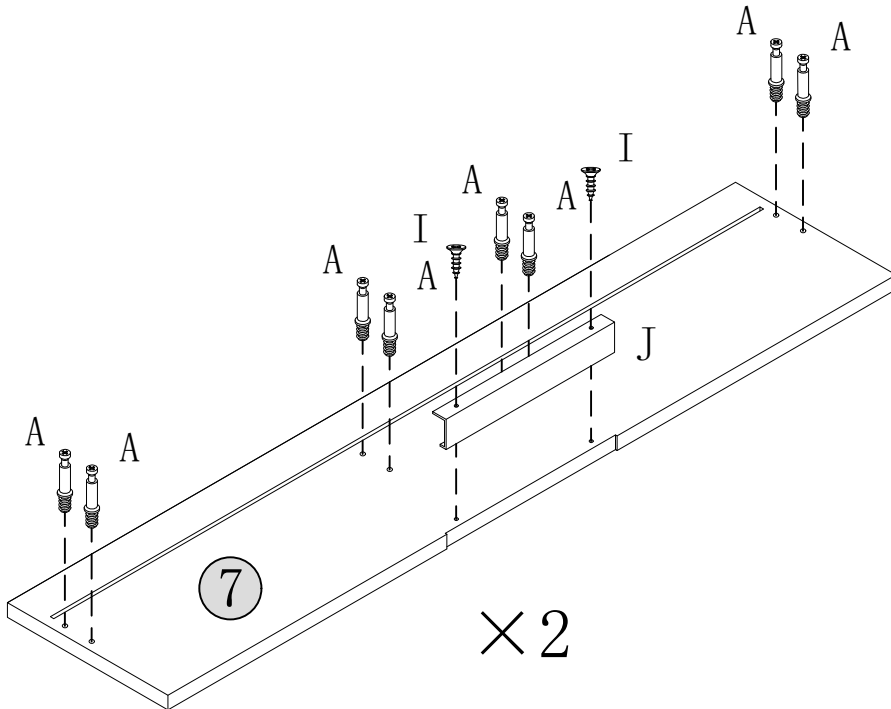
Proper orientation of CAM LOCK



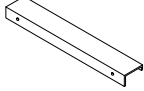
6



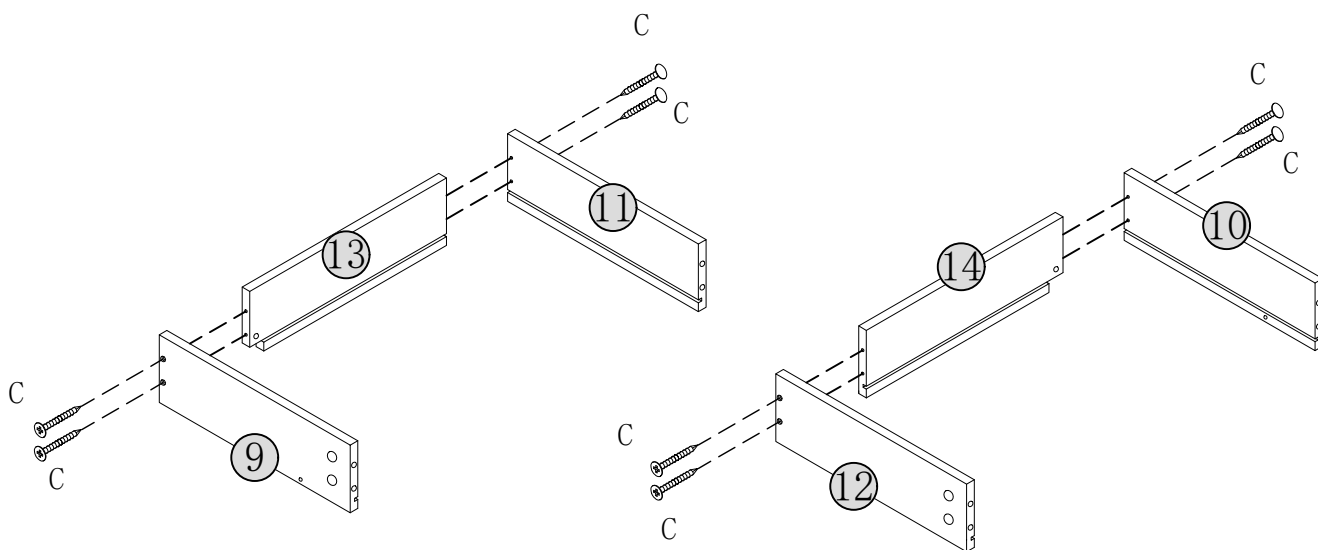
H×2	I×8
	
	φ3×12mm

7

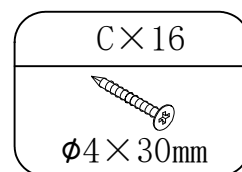


A×16	I×4	J×2
		
φ6×35mm	φ3×12mm	

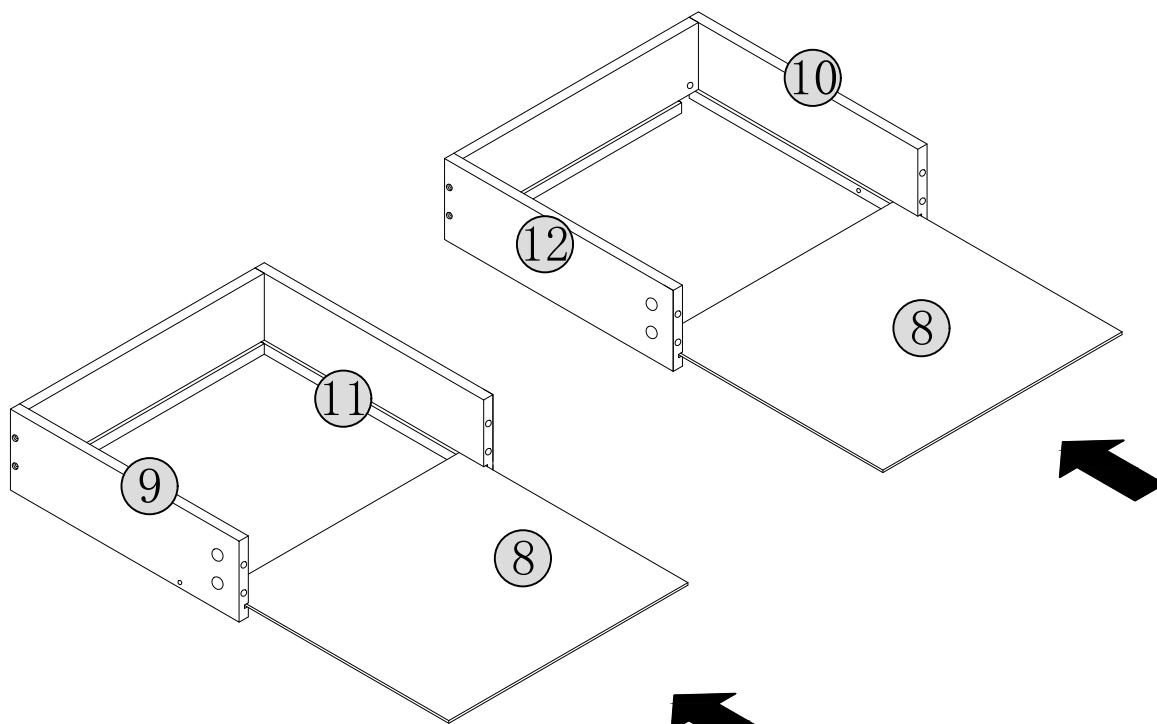
8



×2



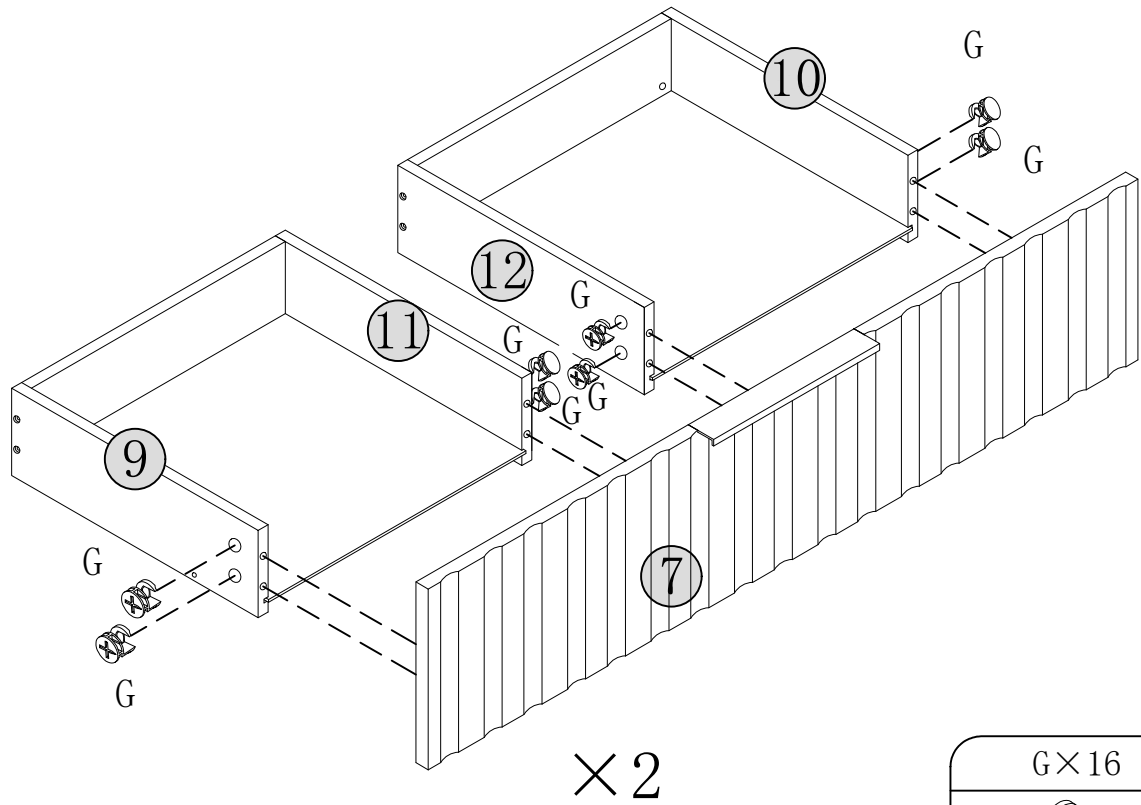
9




×2

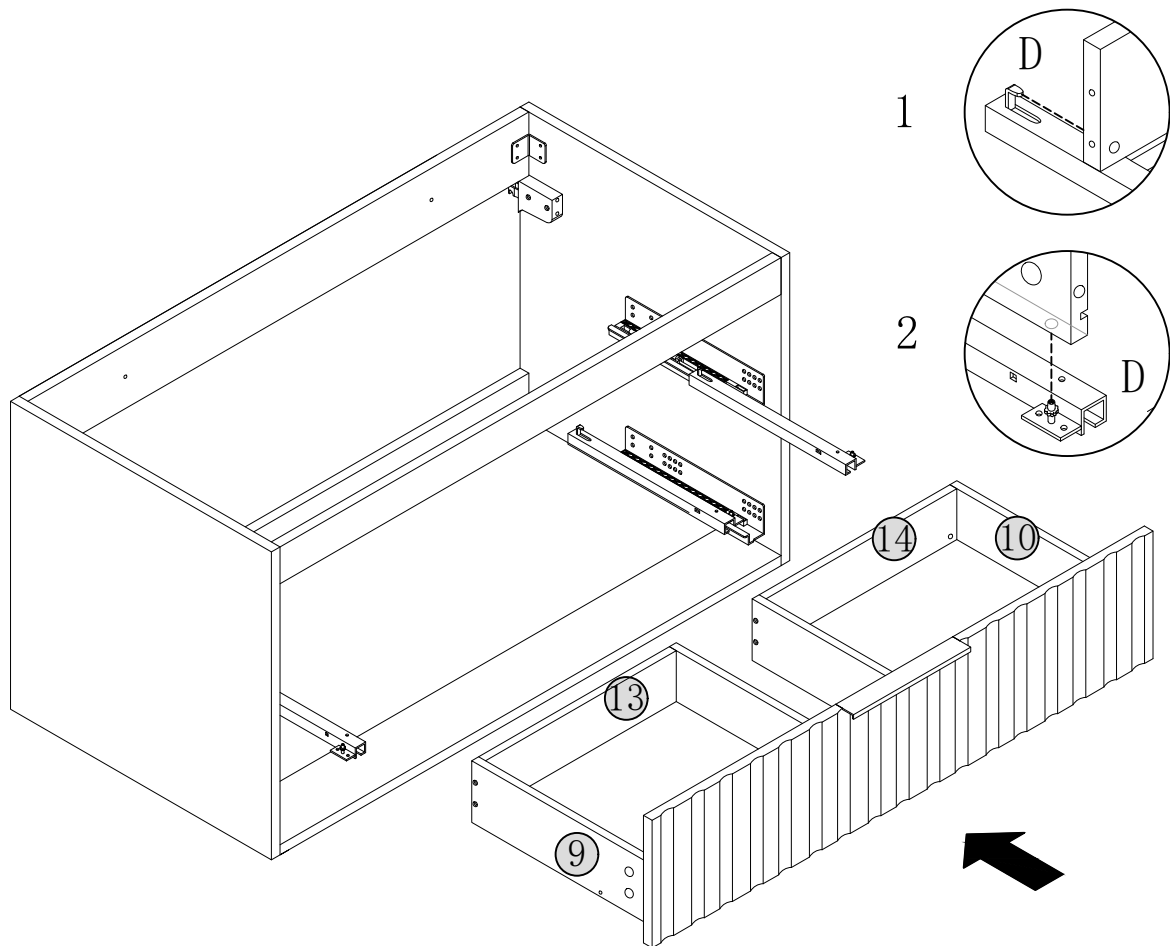
9

10



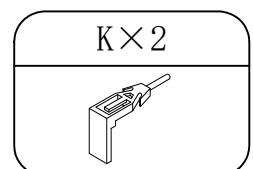
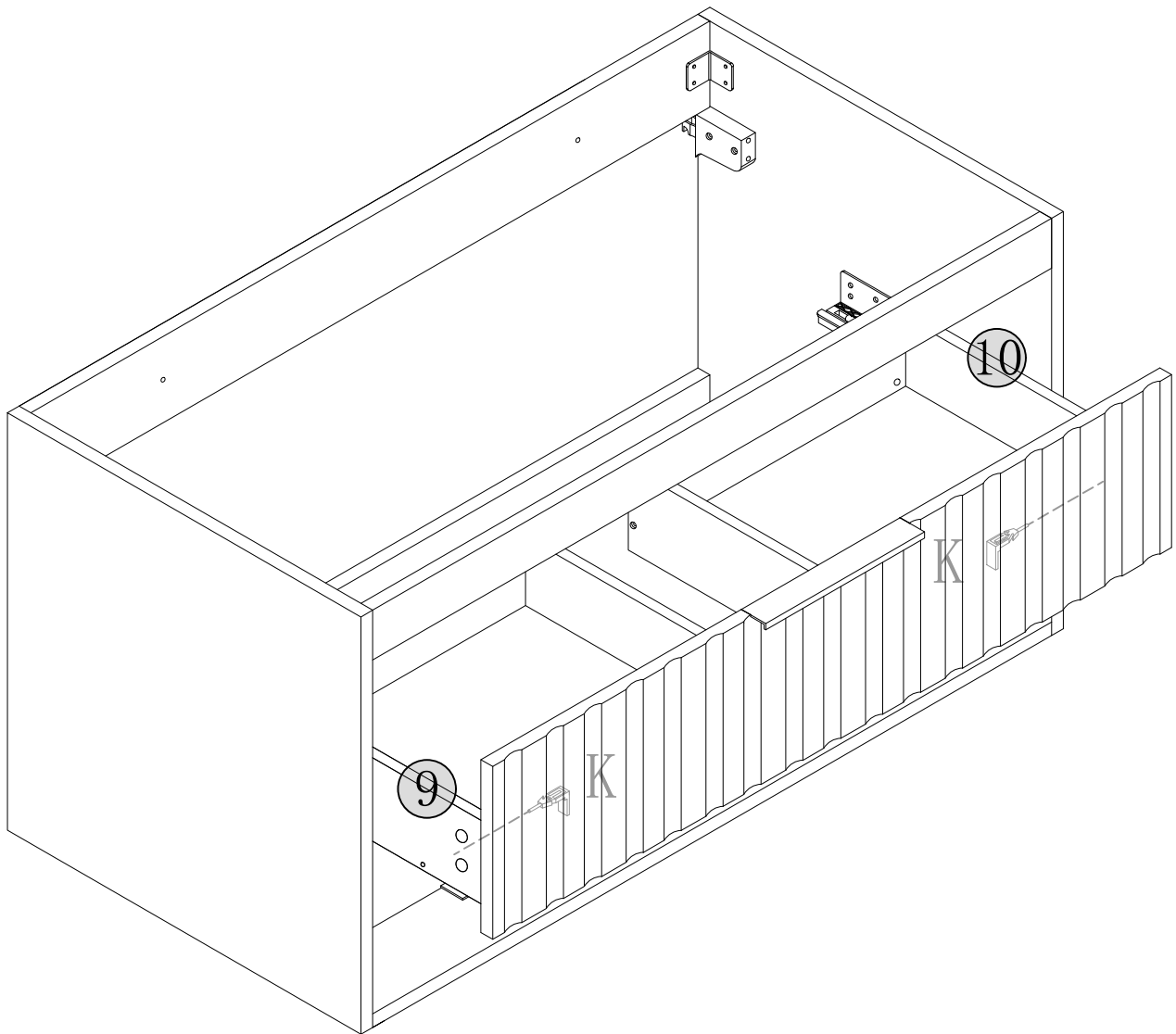
G × 16

ø15 × 10mm

11

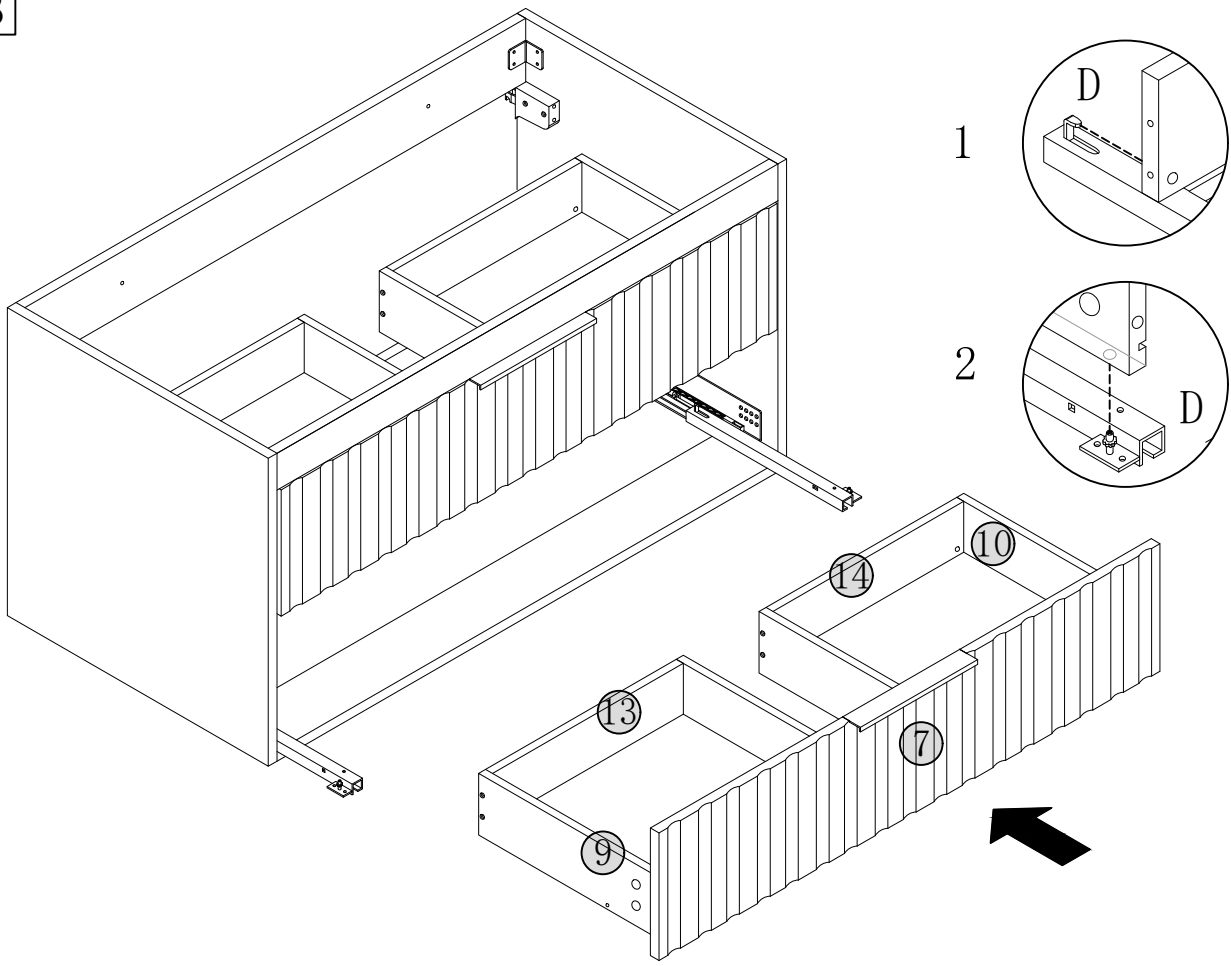


10

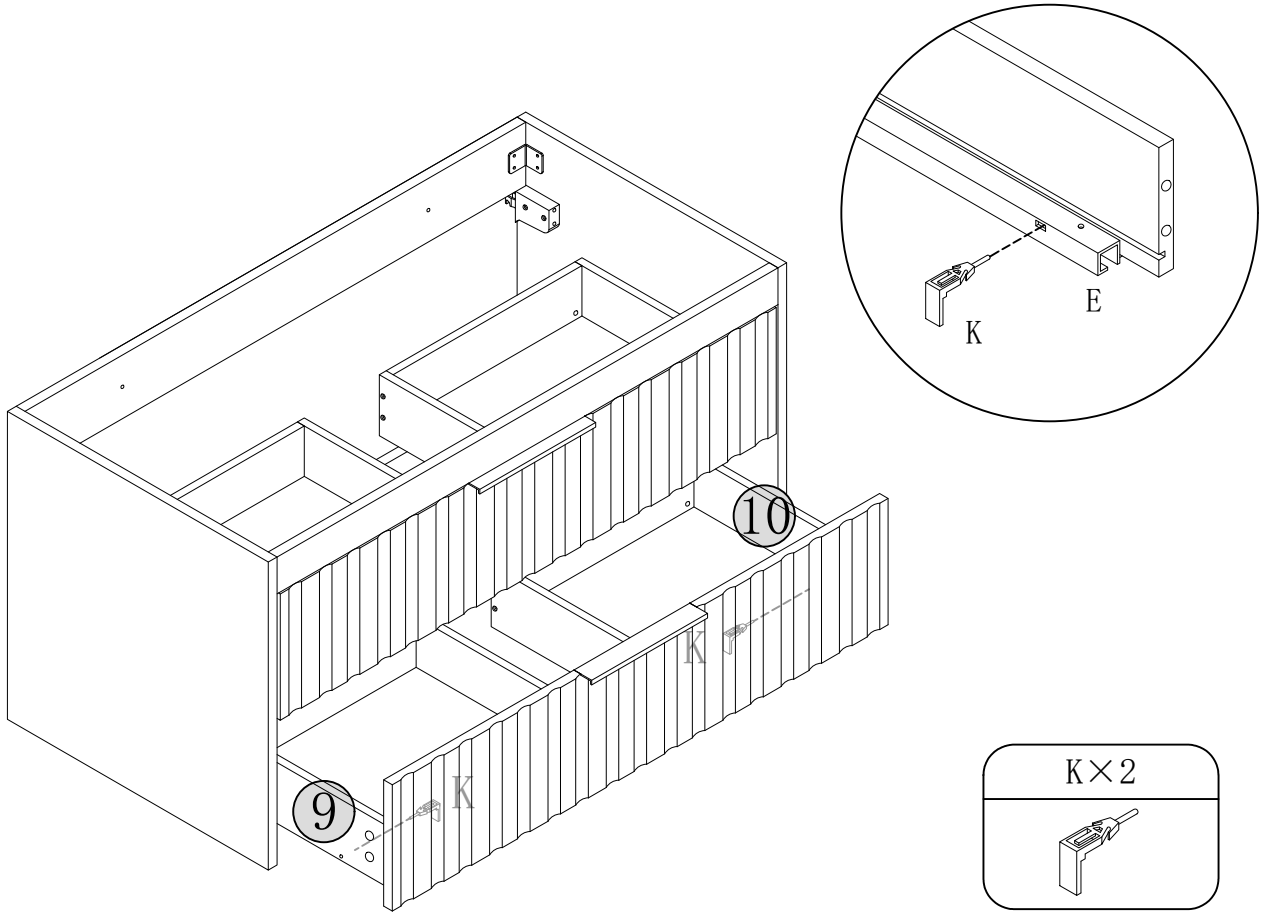
12



13

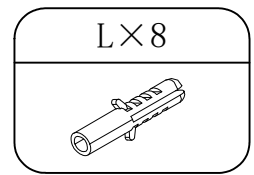
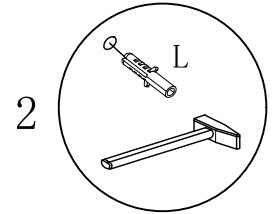
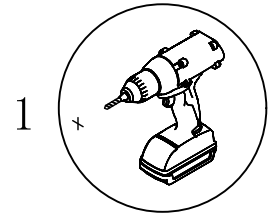
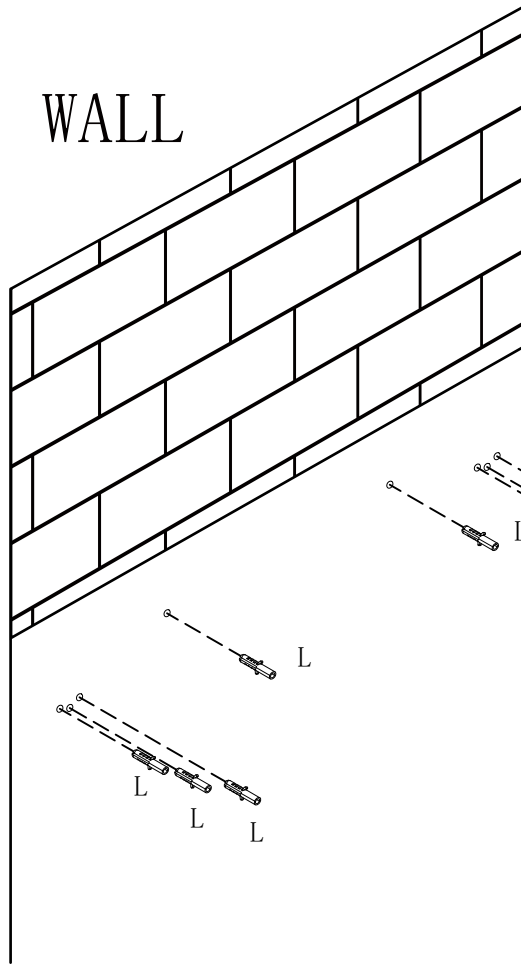


14



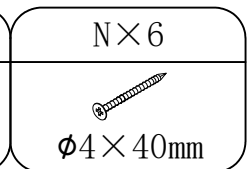
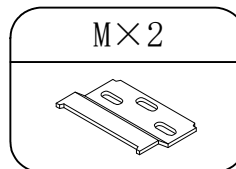
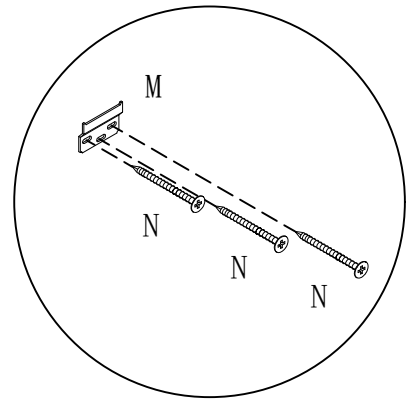
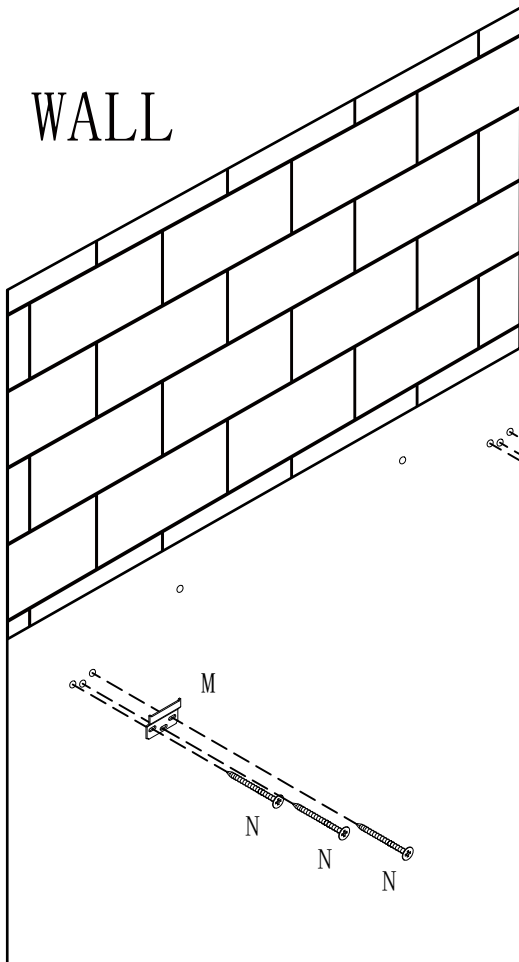
15

WALL



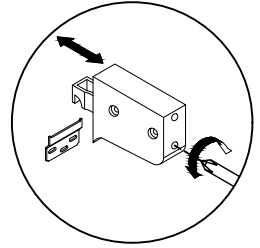
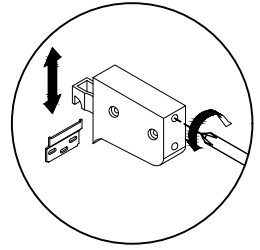
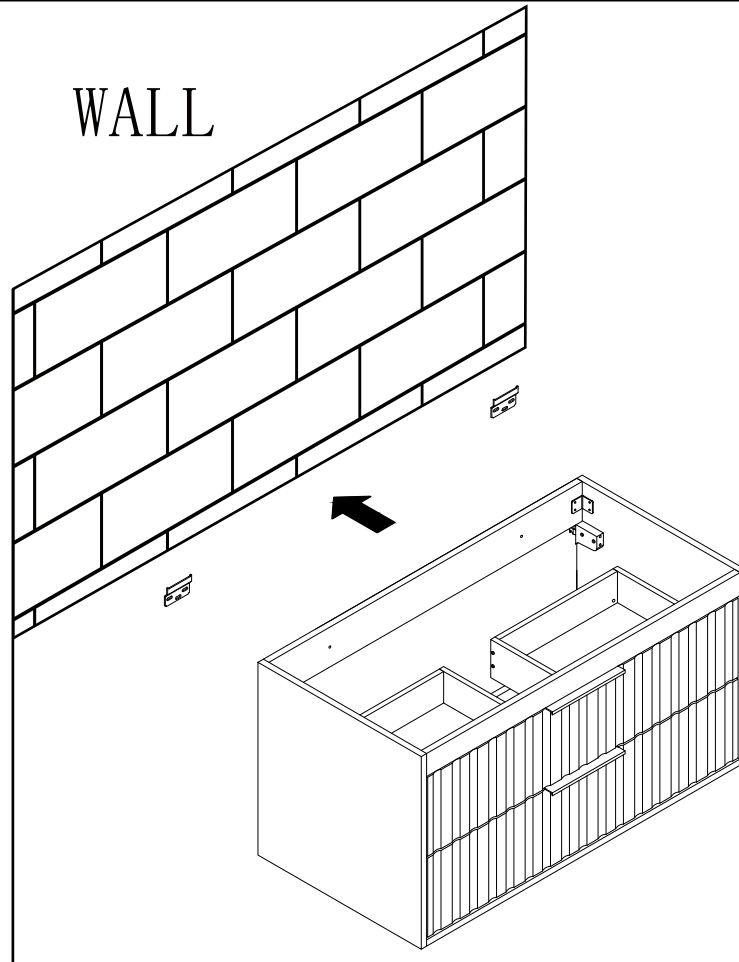
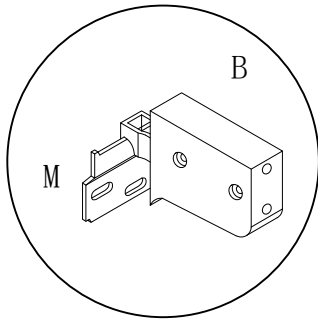
16

WALL



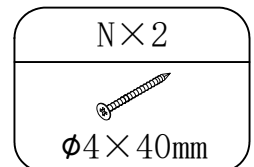
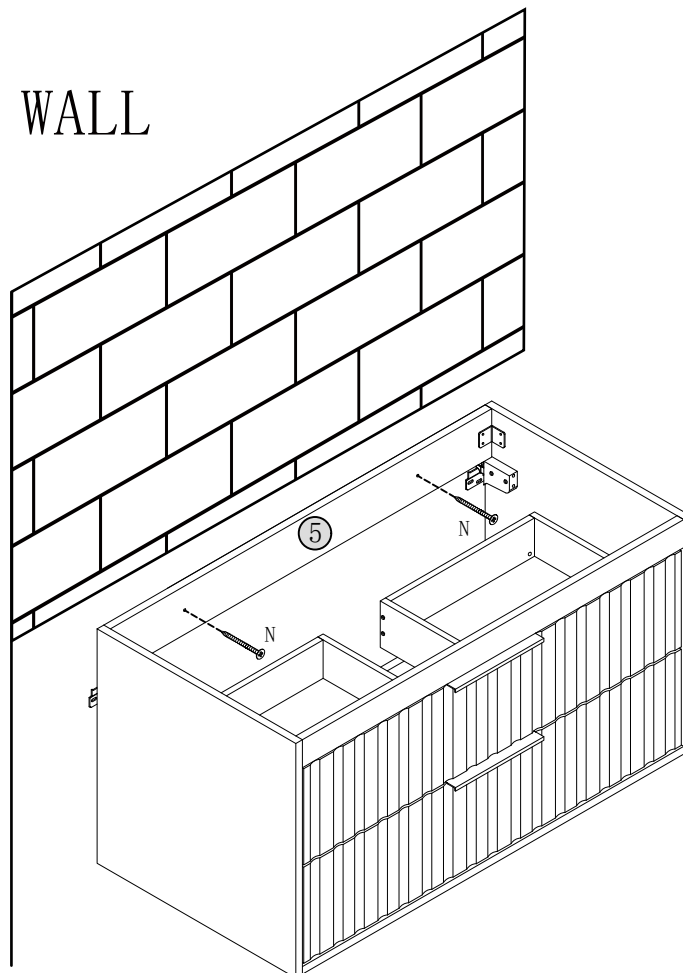
17

WALL



18

WALL



IMPORTANT NOTE

1. Your item will be shipped in 2 separate boxes. If you receive only 1 box, please don't worry because your second package is on its way. If there is any problem, please feel free to contact us.
2. Verify the item number on the box before installing. If it's not correct, stop and contact us immediately. This Bathroom Vanity (NFN126) requires the Sink(SKU:NFQ002).



E-mail: service@replycenter.net

CARE AND CLEANING

1. Many cleansers contain abrasive and chemical substance which is not suitable for cleaning stainless steel, enamel, plating or plastic products. You may use mild cleansers or soaps to clean the surfaces. Wipe any splashes of cleaner solutions from the surface with a clean soft cloth.
2. Maintain ventilation in the bathroom and separate the dry area from the damp one if conditions permit. Try to open the door and windows of the bathroom to maintain adequate ventilation.
3. This cabinet is built to withstand normal bathroom humidity. For best results, keep this vanity dry and take necessary steps to minimize bathroom humidity by opening windows and doors and using the exhaust fan (if available).
4. To maintain the cabinet door, clean and wipe the door regularly with a soft cloth. Wipe condensation with a dry, soft cloth. Keep away from fires and high temperatures.
5. Please do not sit, lean or step on the basin cabinet.