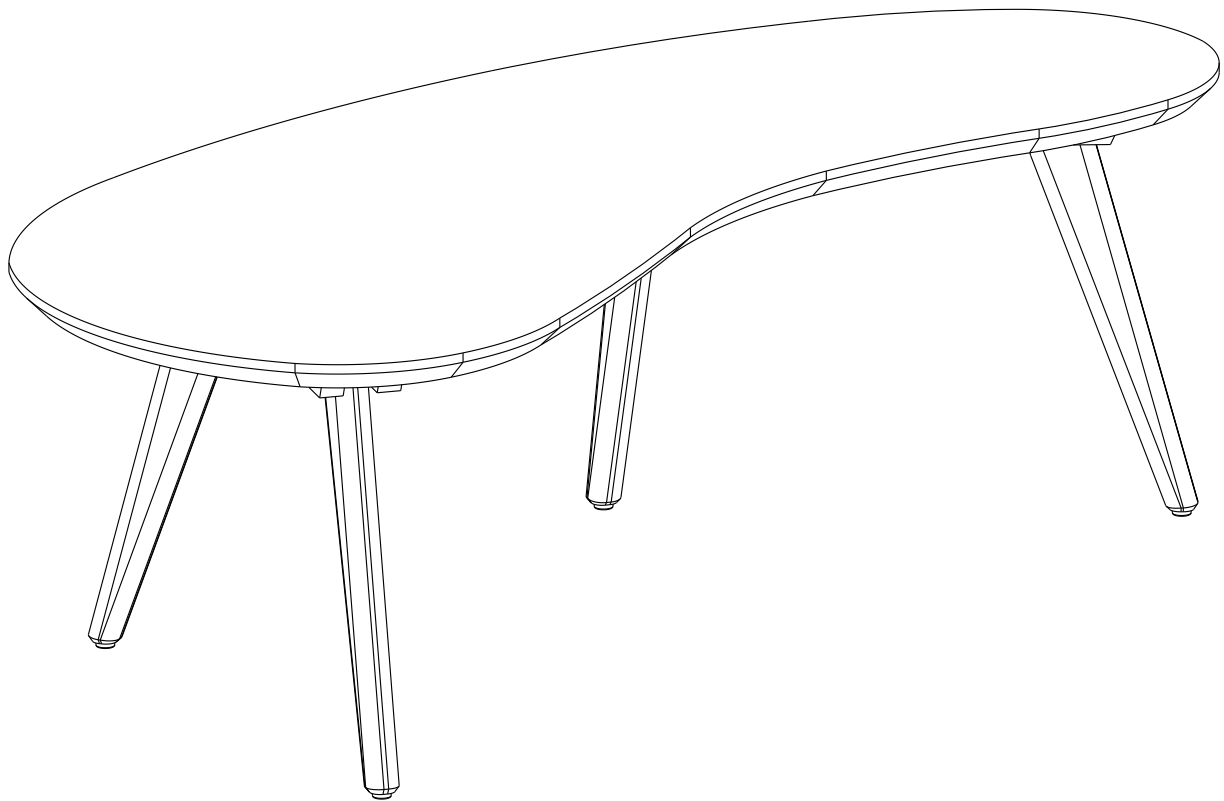

ASSEMBLY INSTRUCTIONS

MDC - MID CENTURY MODERN COFFE TABLE

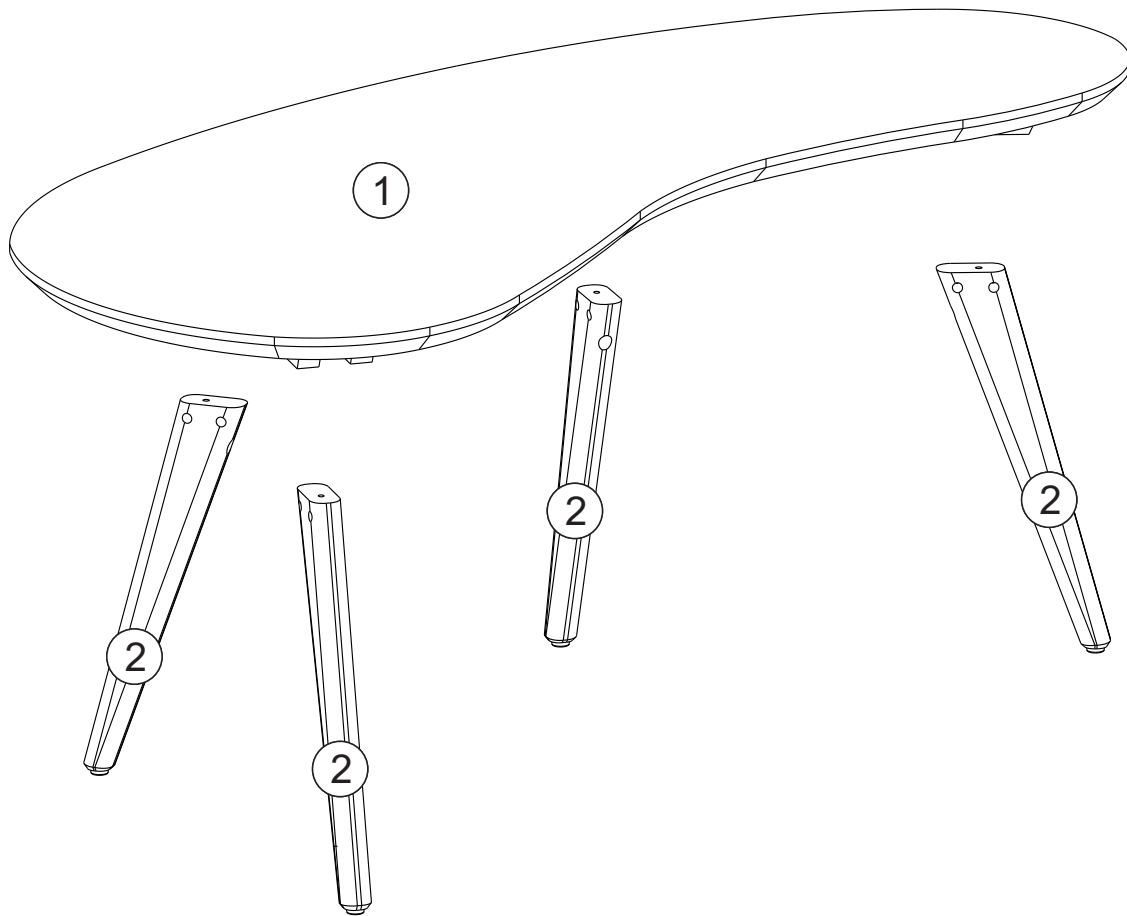




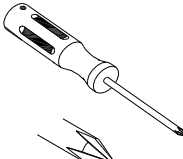
IMPORTANT NOTE:

Place all wooden parts on a clean and smooth surface such as a rug or carpet to avoid parts from being scratched.

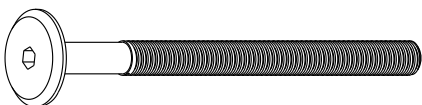
Before you begin, kindly follow the assembly instructions step by step.

PARTS INCLUDED

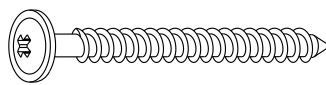


<p>00:30 Min</p> 			<p>Philips head screwdriver required for assembly. (not included)</p>
--	---	---	---

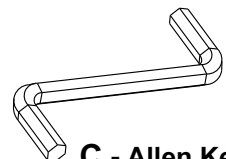
HARDWARE INCLUDED



A - 1/4 x 70 Bolt
Qty. 08



B - 4,5 x 45 Screw
Qty. 04

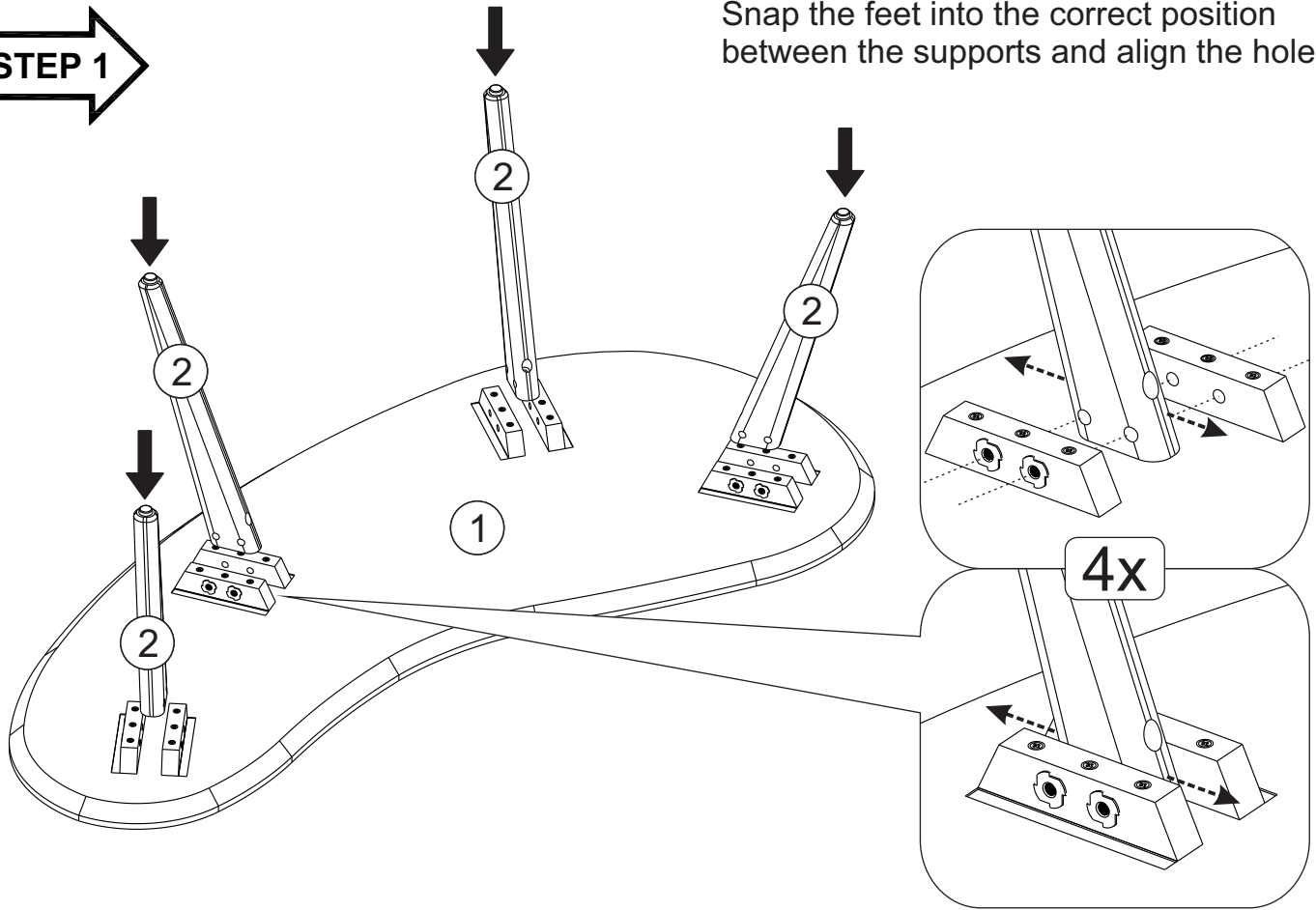


C - Allen Key
Qty. 01

The hardware quantities listed above are required for proper assembly.

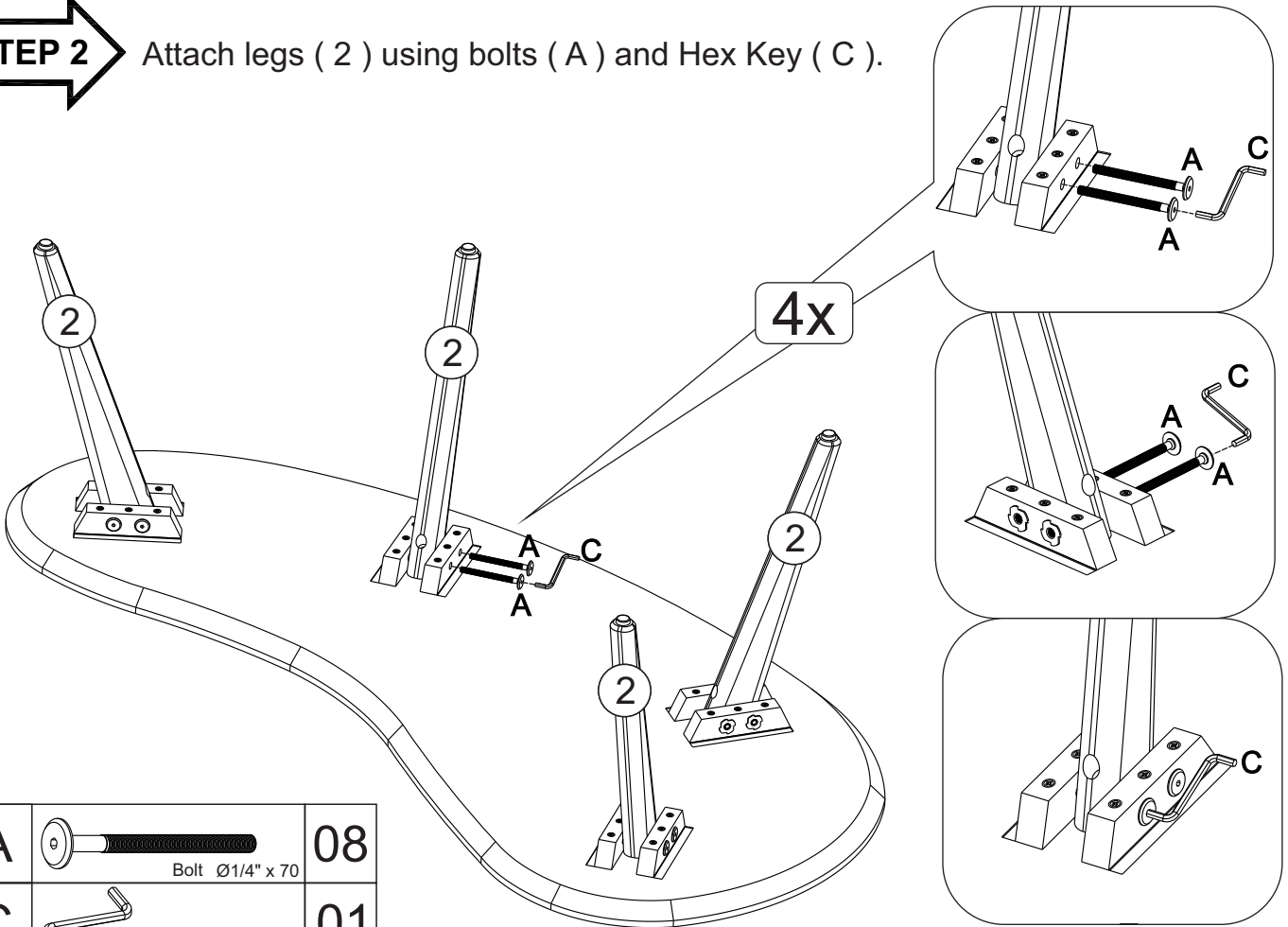
STEP 1



Snap the feet into the correct position between the supports and align the holes.



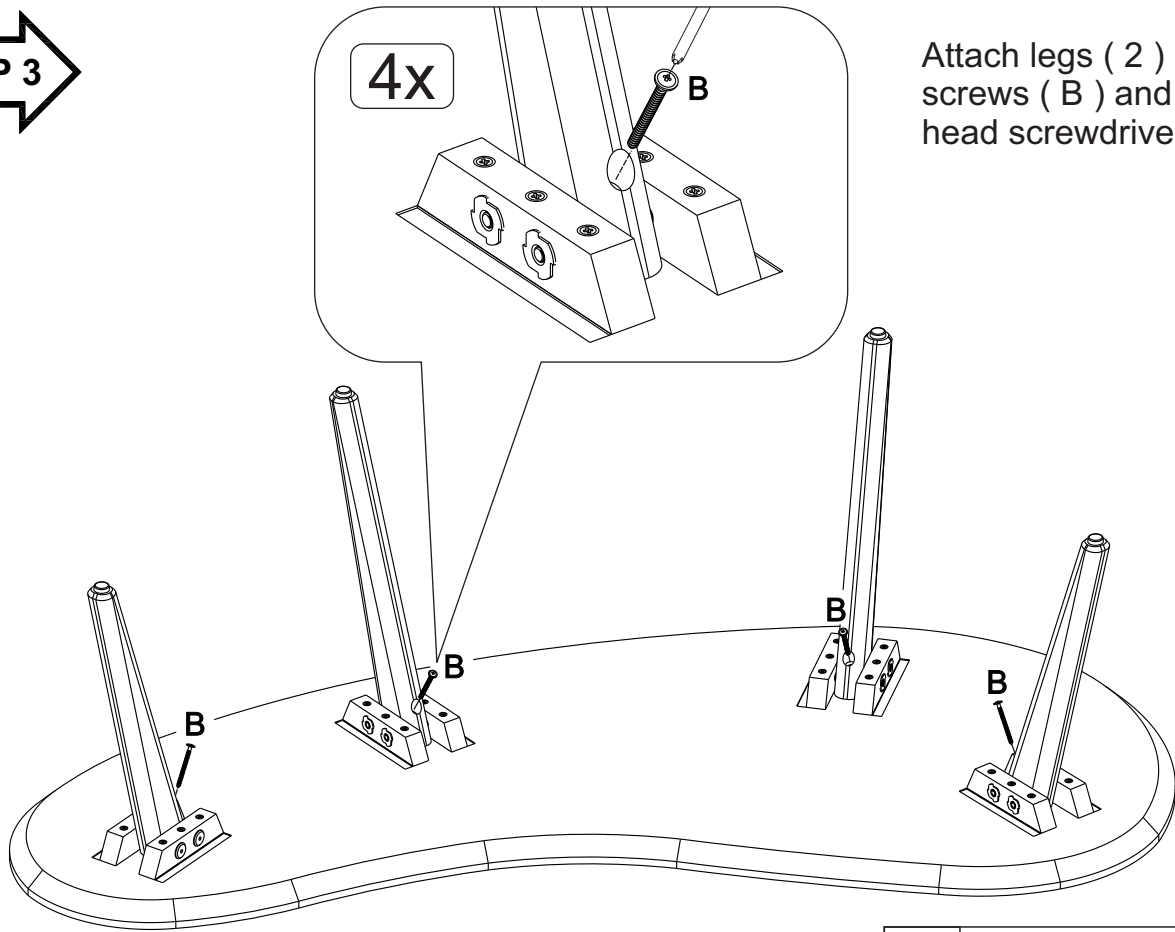
STEP 2

Attach legs (2) using bolts (A) and Hex Key (C).




A	 Bolt Ø1/4" x 70	08
C	 Allen Key	01

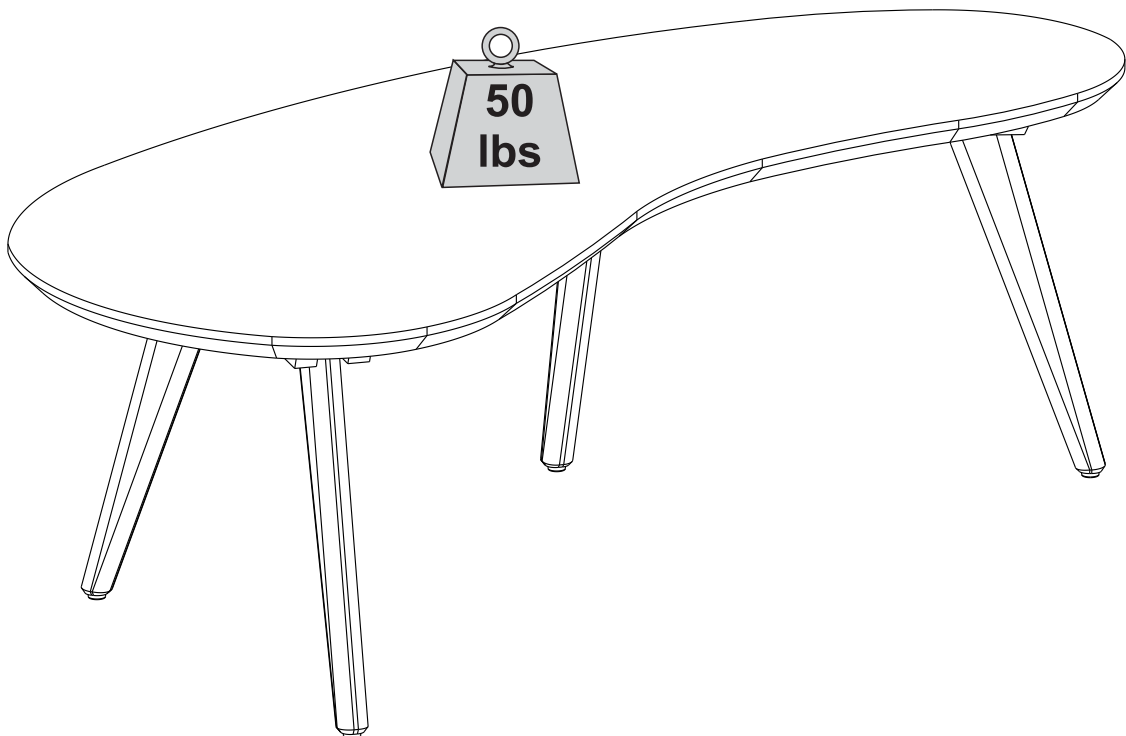
STEP 3



Attach legs (2) using screws (B) and philips head screwdriver.

B		04
Screw Ø4,5 x 45		

STEP 4



Final Assembly