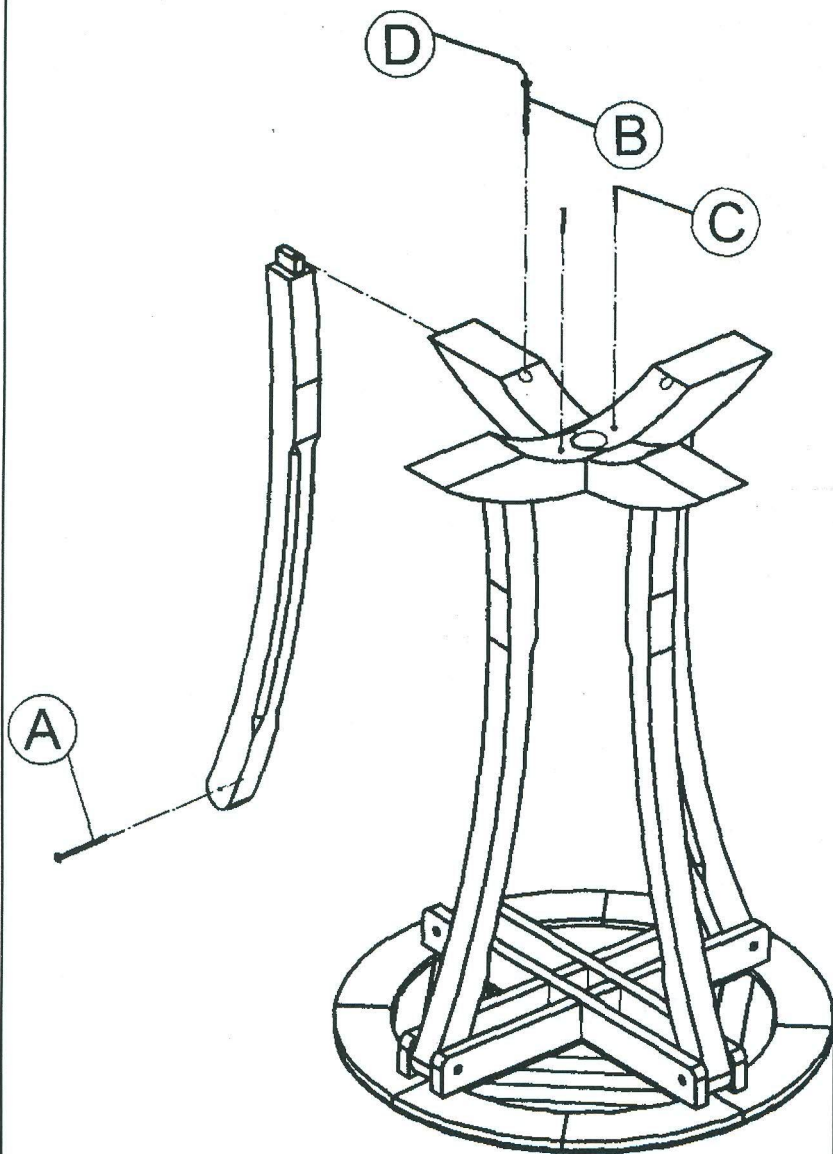


ASSEMBLY INSTRUCTIONS BAR TABLE



STEP1:

Assemble the 2 base components. Set aside. Then begin attaching 4 legs to underside of the table

STEP2:

Gently tighten legs under table before placing base unit to the bottom of legs.

STOP! PLEASE READ FIRST:





Thank you for purchasing this item

Please verify all the hardware and components are included as you unpack the carton. Place the items in a safe area to avoid loss and damaging contents. Use a soft area or use the empty box to assemble the item.

ASSEMBLY TIPS: Assemble upside down with the table top facing down. Never over-tighten any screws or bolts. It's best to assemble with 2 people. Please visit our website if you have any questions

Please review the "PLEASE OIL ME" card for how to care & maintain your new furniture.

HARDWARE LIST:

A	B	C	D
 Bolt 3 1/3"	 Screw 3.5"	 Screw 1.5"	 Hexagonal wrench
4 Pcs	4 Pcs	4 Pcs	1 Pc