

UK
CA CE

installation instructions

Safety Precautions

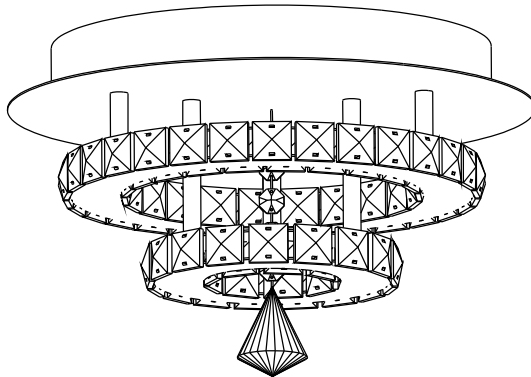
- Do not use the device if the power cord or other parts are damaged.
- The damaged power cord can only be repaired by product technical service personnel or qualified personnel, do not try to repair the lamp yourself.
- Do not expose the product to extreme temperatures, high humidity or strong mechanical force
- Keep lamps away from heat sources
- Wipe the lamp only with a soft dry cloth, do not use solvent-based or detergents otherwise the product may be damaged.
- Do not immerse the lamp in water, and do not expose the product to moisture or rain.



Warning: Follow the instruction to install and use to prevent personal safety accidents, such as lamp damage, falling down, electric shock, fire, etc.. Do not dismantle the lamp or replace any parts.

Product Feature Tips

1. The lamps are made of mirror stainless steel, which will not rust or corrode, and will last for a long time.
2. The crystal adopts the first-class K9 crystal in the market, the light refraction is dazzling, the brightness is high, and the light is soft and not dazzling.
3. Led light source has the advantages of long life, small size, low power consumption, multi-transformation, healthy use, high luminous efficiency, no noise, and stable performance.



Environmental precautions



Information on Disposal for Users

The wheellie bin symbol on the product (s) and/or accompanying documents means that used electrical and electronic equipment should not be mixed with general household waste.

For proper treatment, recovery and recycling, please take this product (s) to designated collection points where it will be accepted free of charge.

Alternatively, in some countries, you may be able to return your products to your local retailer upon purchase of an equivalent new product.

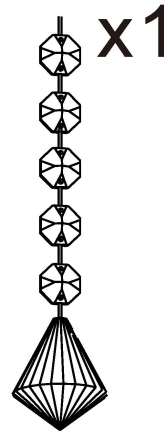
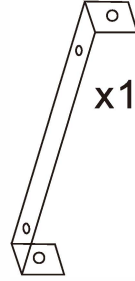
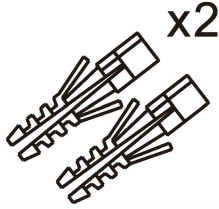
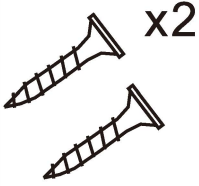
Disposing of this product correctly will help save valuable resources and prevent any potential negative effects on human health and the environment, which could otherwise arise from inappropriate waste handling.

Please contact your local authority for further details of your nearest designated collection point

Specifications and parameters

Product name	Ceiling Lamp
Class	Class I
Model	A
Power	30W
Color temperature	3000K-6000K
Power supply	170-245V 50/60HZ
Light source	LED
Size of the light	30x30x18cm

Appendix



Functional Instructions



Press this button once in 10 seconds after the lamp has been powered on

After the lamp is electrified, press the SETUP key (code key) on the remote control quickly in 10 seconds. The light flashes indicate the code is successful. Otherwise, turn off the total power supply of the lamp, and then re-operate this step until the light flashes and the alignment is successful.



Long press or click this button, brightness will increase



Long press or click this button, brightness will reduce



Long press this button, the color temperature increases, and the lights color turns white.



Long press this button, the color temperature drops, and the lights color turns warm.



Press this button, the lamp turns into warm light ()



Press this button, the lamp turns into white light ()



Click this button to switch the color temperature between white light, warm light and neutral light.



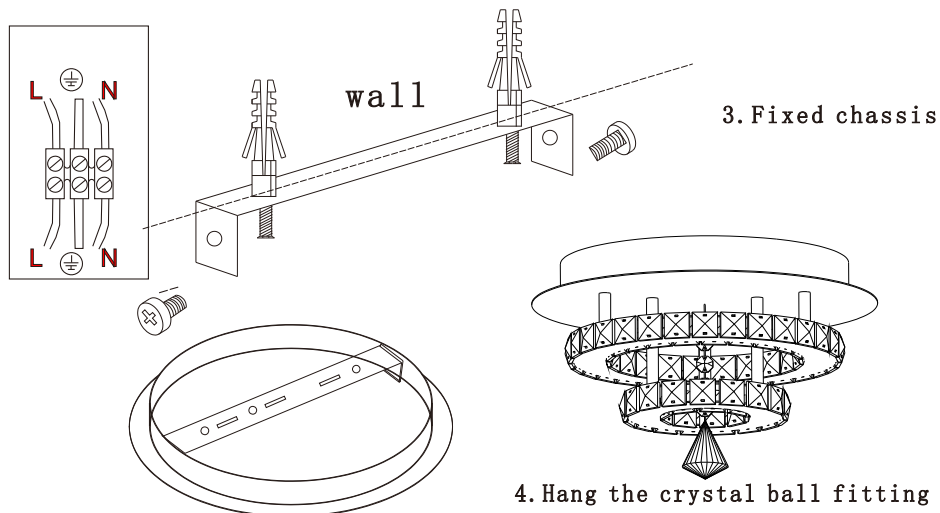
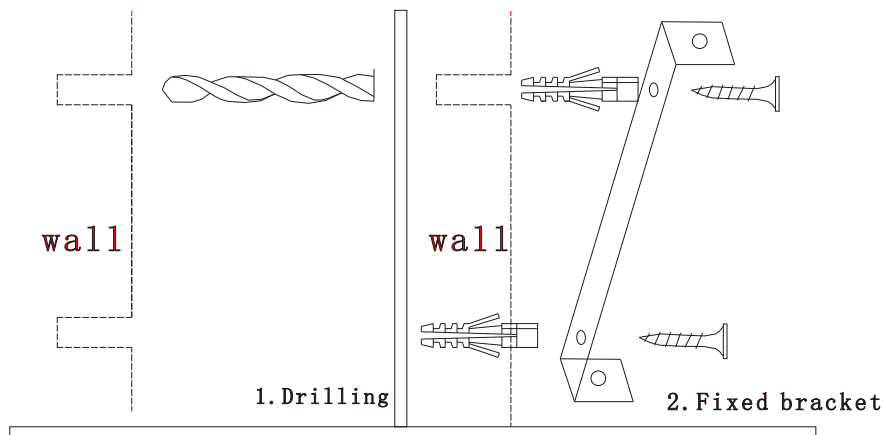
Press this button to switch the lamp between full power and half power, and the color temperature of the lamp is neutral light.

Lamp installation and operation instruction

1. Drilling
2. Fixed bracket
3. Fixed chassis

Note: wiring does not divide zero line and fire line

Please tear off the film before installation



Dear customers, thank you for choosing our products. In order to ensure your safe and convenient installation and use of this product, please strictly in accordance with this manual operation

1. Suggest to ask professional electrician to install
2. Please tear the protective film before installing the lamp.
3. After turning on the light, do not touch the light source to avoid injury. Do not use this luminaire in the bathroom or in a humid environment

Maintenance and upkeep

1. The power supply must be cut off before cleaning the lamps and maintenance, and the structure of the lamps and the parts of the lamps cannot be changed
2. Try not to switch frequently when using lamps, so that the instantaneous current of the lamp bead is greater than the current during normal operation, which greatly reduces its service life.
3. Wear gloves and wipe with a dry cloth feather duster and pay attention to prevent moisture intrusion, so as to avoid long-term corrosion damage or leakage and short circuit.
4. Special reminder that moisture can easily cause the lamps to rust and paint and shorten the service life of the lamps. Therefore, moisture-proof is the key to the maintenance of lamps. The lamps work normally for 2-3 hours a day, which can dehumidify the lamps and increase the indoor temperature, Dehumidification.



Warning



Cut off the power and wait until
it's fully cool down before
cleaning and other operation.