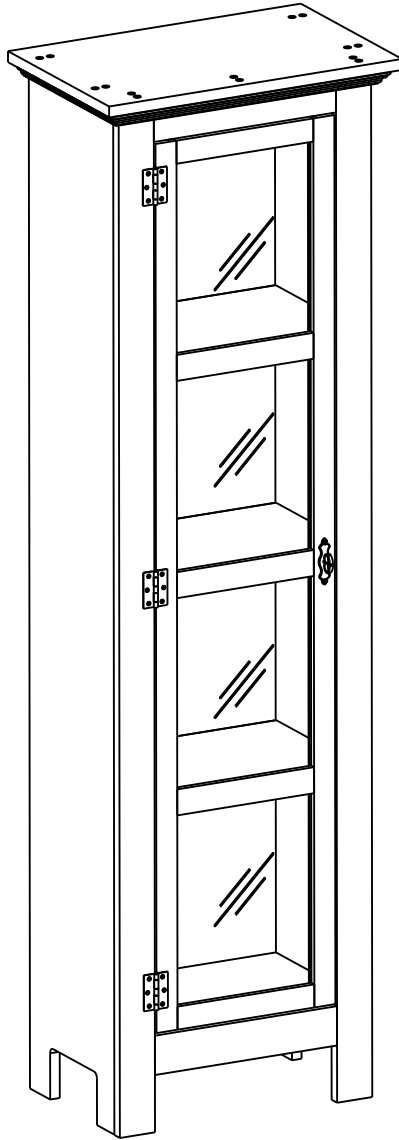


Assembly Instructions !!!



Narrow Cabinet

What about your product:

- Solid PineWood from Planted Forests
- Made in Brazil

Assembly Recommendations:

- Pay close attention to the drawings, specially the side of each part.
- Mount on a clean flat surface, we suggest to cover your floor with the packing carton.
- Do not use any sharp edge tool, it can scratch your new item.
- Perform the assembly calmly, rush may generate hits and dents.
- If you need a hammer to insert dowels or any other hardware, perform light hammers.
- And if you have any buddy close to you, ask for help. Team work is easier and Fun.

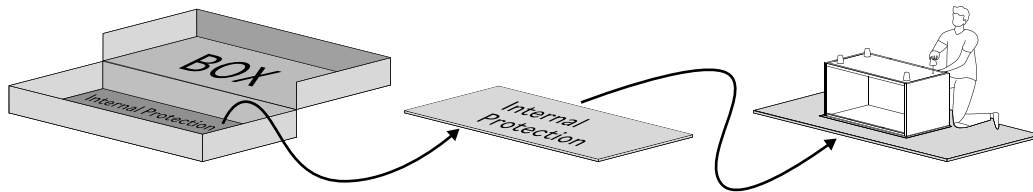
WARNING: Avoid the presence of children and pets during assembling, because the product contain small parts/hardware that can be swallowed.

Product Care

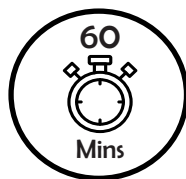
- Wood is a natural material and require especial care.
- As a natural material, it has some slightly size and color variations.
(e.g. wood grains, color tone, textures, small cracks & gaps)
- Every single details make it a single and exclusive unit.
- This item is intended for **indoor** use.
- Do not place it in direct sunlight or damp areas.
- Watch out of placing it in front of air conditioning vents or heaters.
- Avoid placing hot surfaces directly over the wood, it may stain, burn or damage its finishing.
- Sharp objects may damage wood.
- To move your piece ask for help, dragging it will damage the finishing and item structure, loose legs and side parts.
- Clean it with soft, clean & dry cloth.
- If you feel necessary use an appropriate furniture polish.
- Alcohol, perfume and other medicines can cause severe damage to the finishing.

Time to get started

Set up a clean and soft workplace to avoid damage during assembly. You can use the box and internal protections as a cover. It also helps to double-check if you have got all the pieces and parts before diving into the assembly.



Estimated time
for assembly



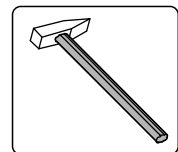
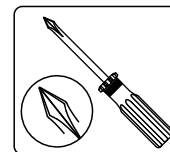
2 People Build

People recommended
for assembly

Make it a team effort!
Grab a friend for quicker,
easier assembly.

Tools Needed

Grab a Phillips head screwdriver
and a hammer to conquer this assembly.

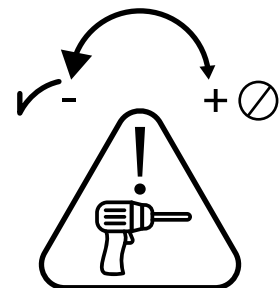


Use power tools with caution

This furniture is made of Solid Wood and Composite Wood, soft materials. If you choose to use power tools, set it to the slower setting.

Be careful! Power tools can cause cracking or damage to the furniture, they can also damage the hardware if misused.

Power tool damages are not covered by the warranty.







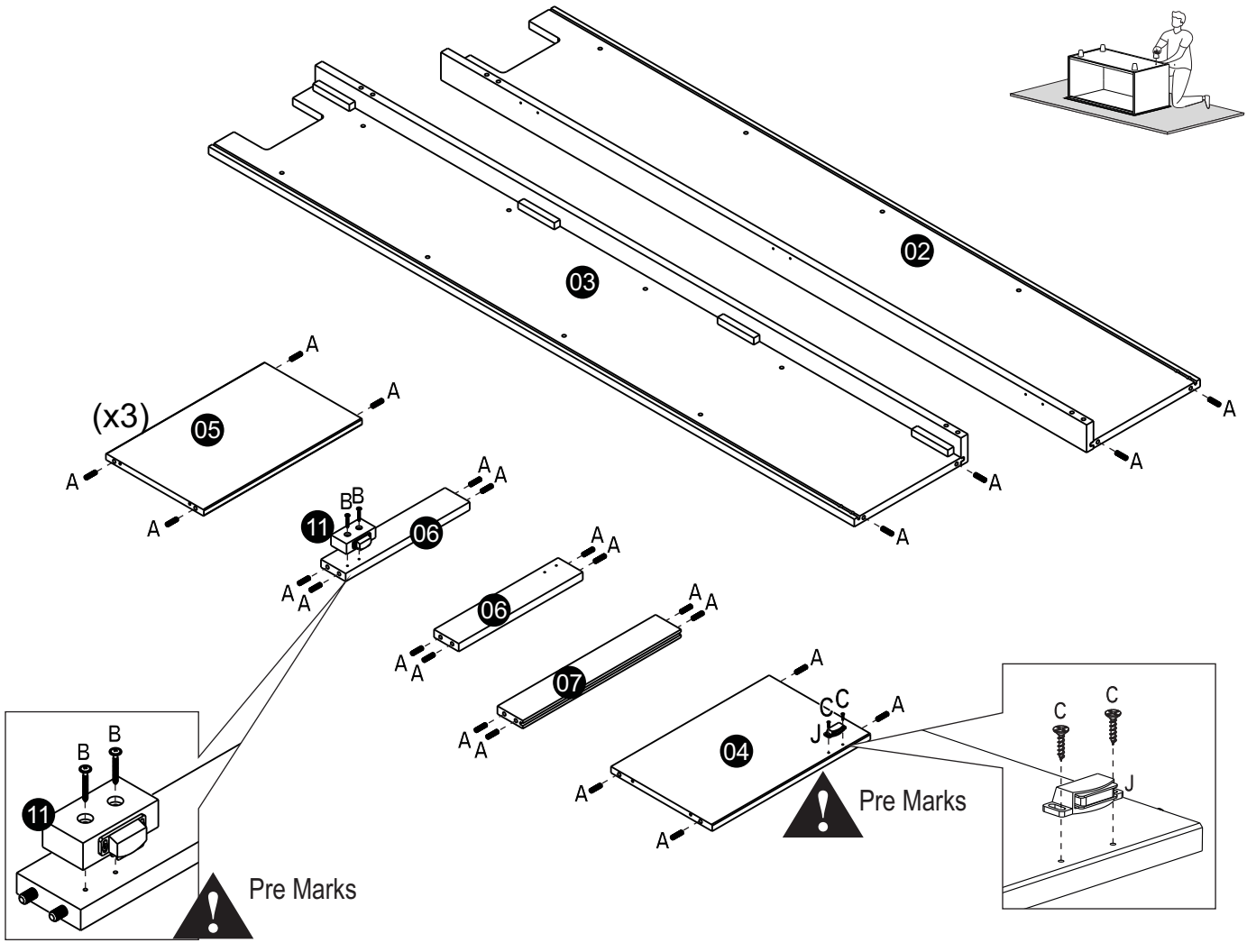
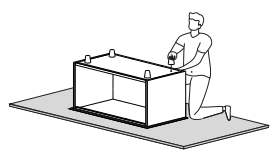
Hardware Package

For your safety and the safety of your family, open the hardware package using scissors.




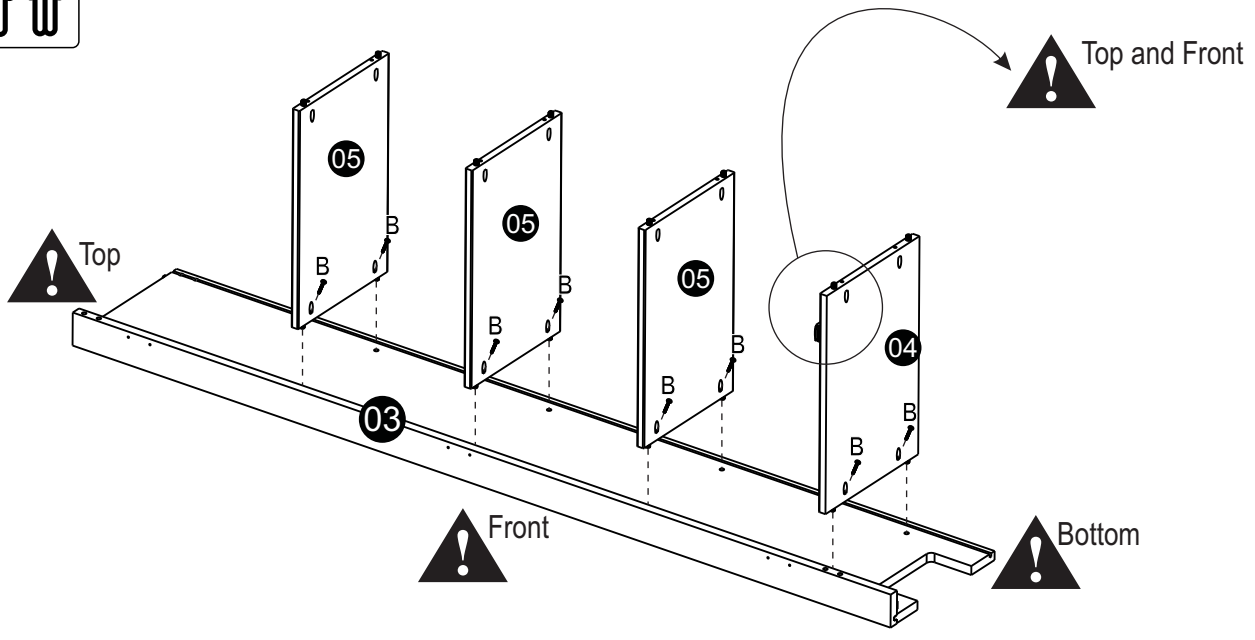
01

- A** $\varnothing 8 \times 30$

 x32
- B** $\varnothing 3,5 \times 30$

 x2
- C** $\varnothing 3,5 \times 16$

 x2
- J**

 x1



02

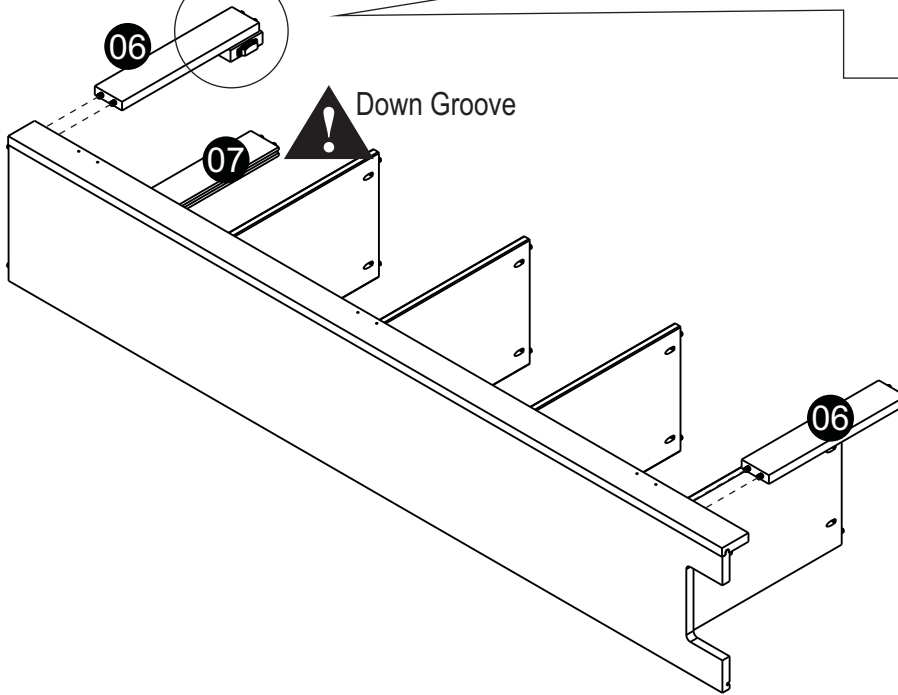
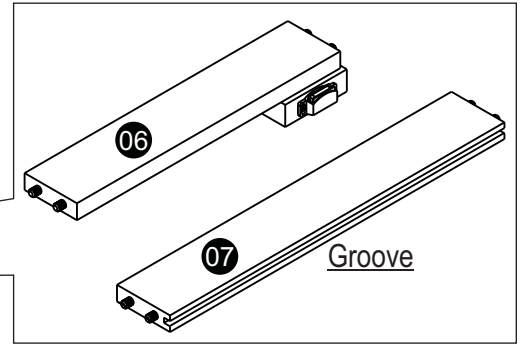
- B** $\varnothing 3,5 \times 30$

 x8



03

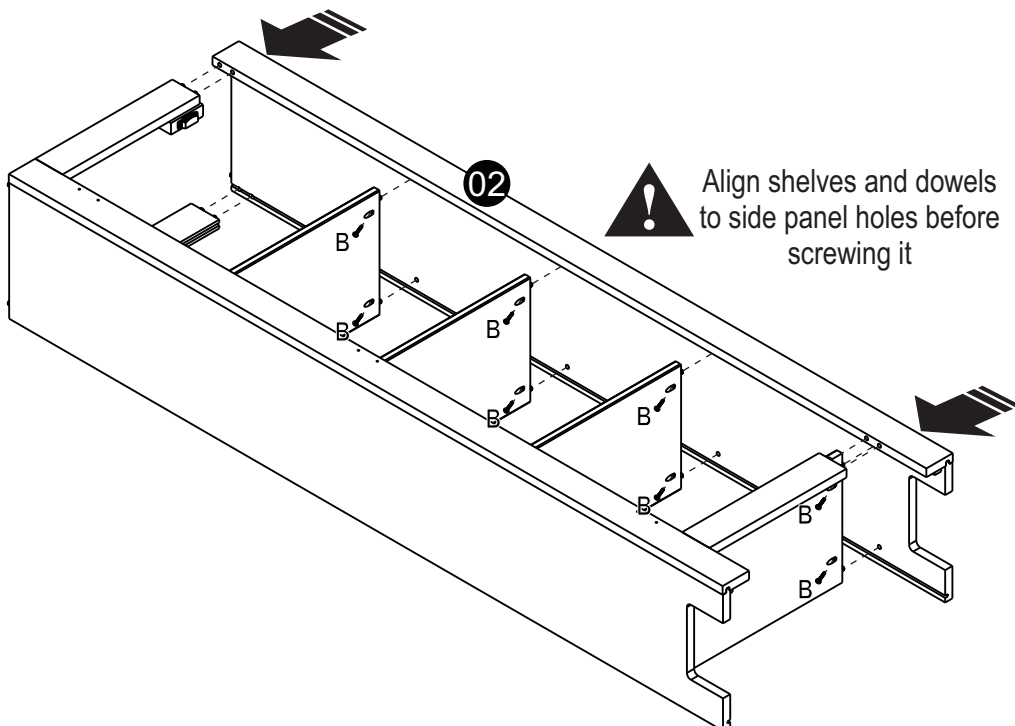
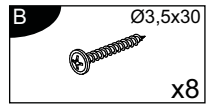


Inside Down

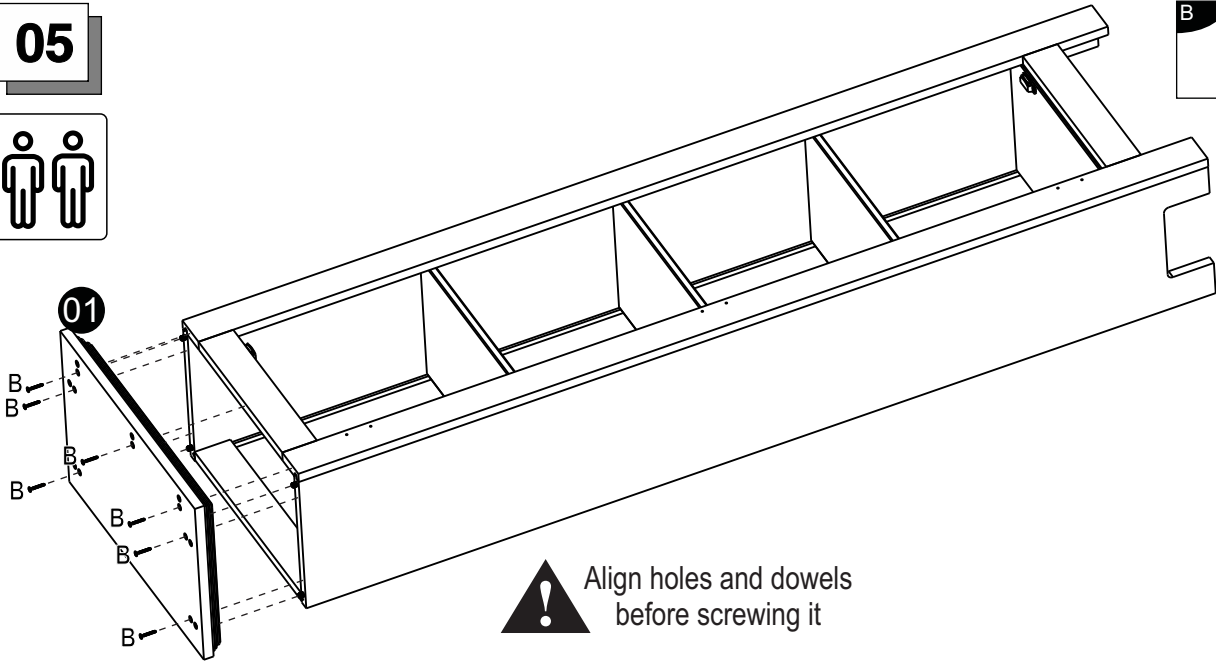
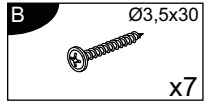


«Attention to correct positioning of the parts»

04



05

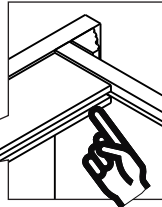


Align holes and dowels before screwing it

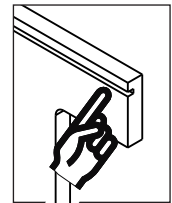
06



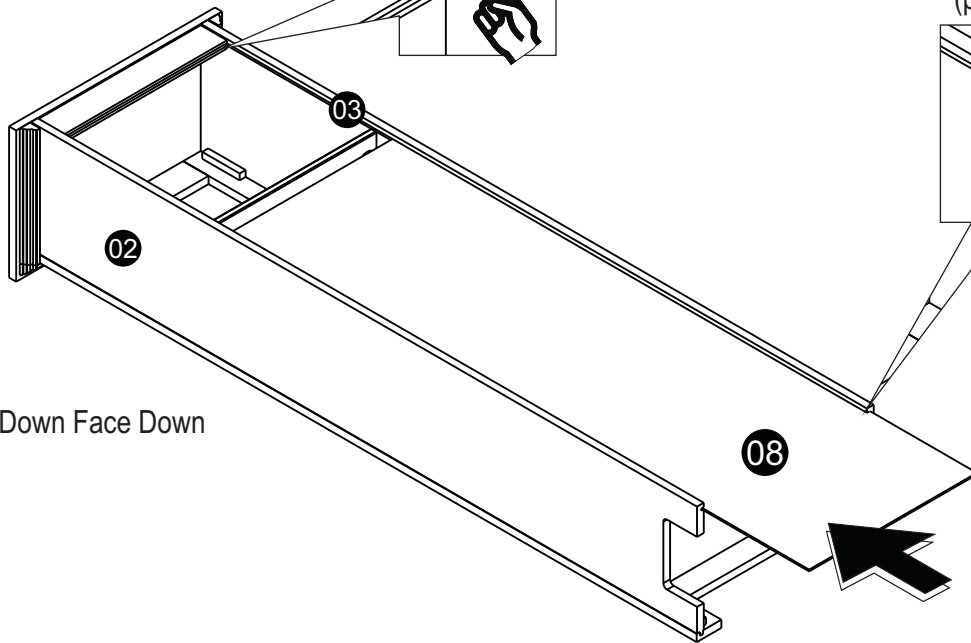
Step2: Fit Part 08 into upper crossbar all the way.



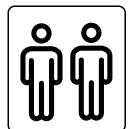
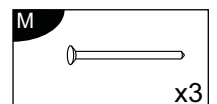
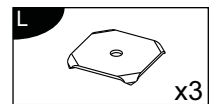
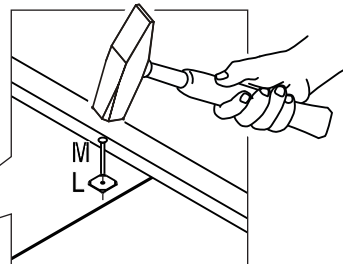
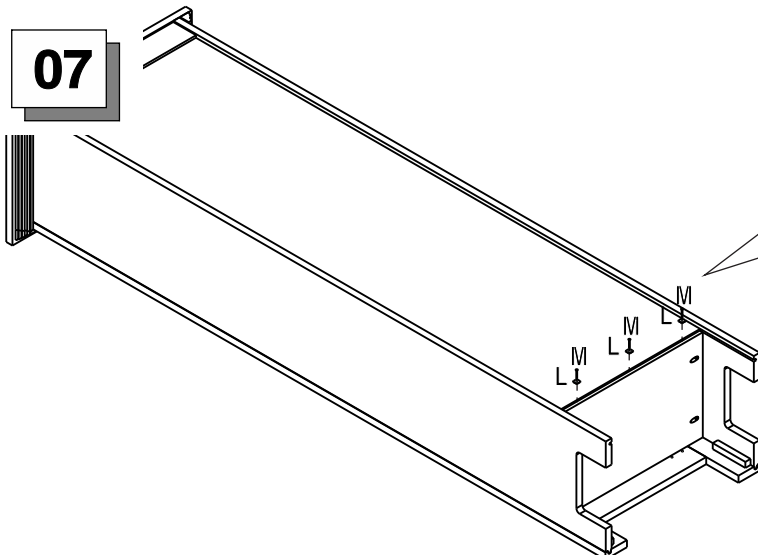
Step1: Slide Part 08 in between grooves (part 02 & 03).



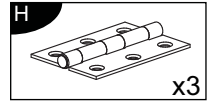
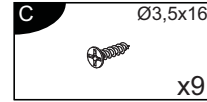
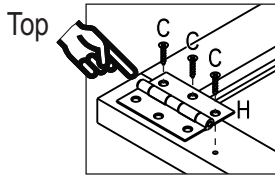
Lay Down Face Down



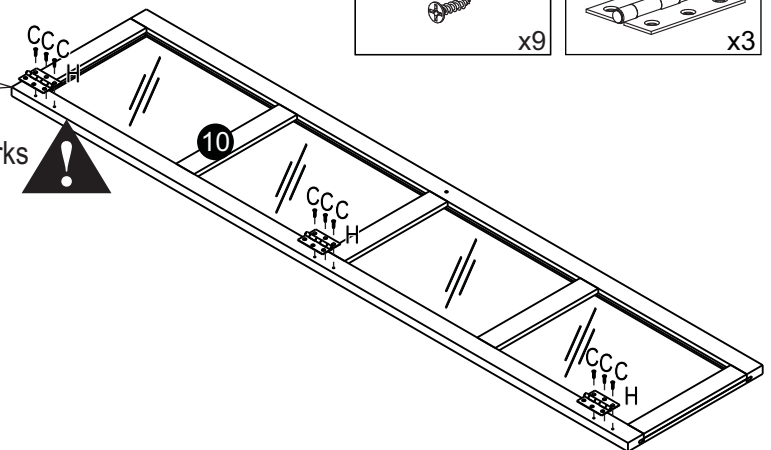
07



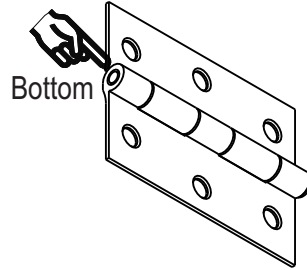
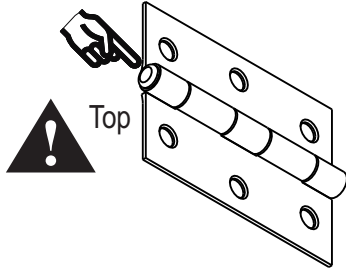
08



Pre Marks



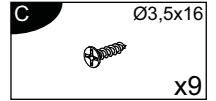
Note that there is a top finish on the hinge. Attach all the hinges with the finished hinge part facing UP.



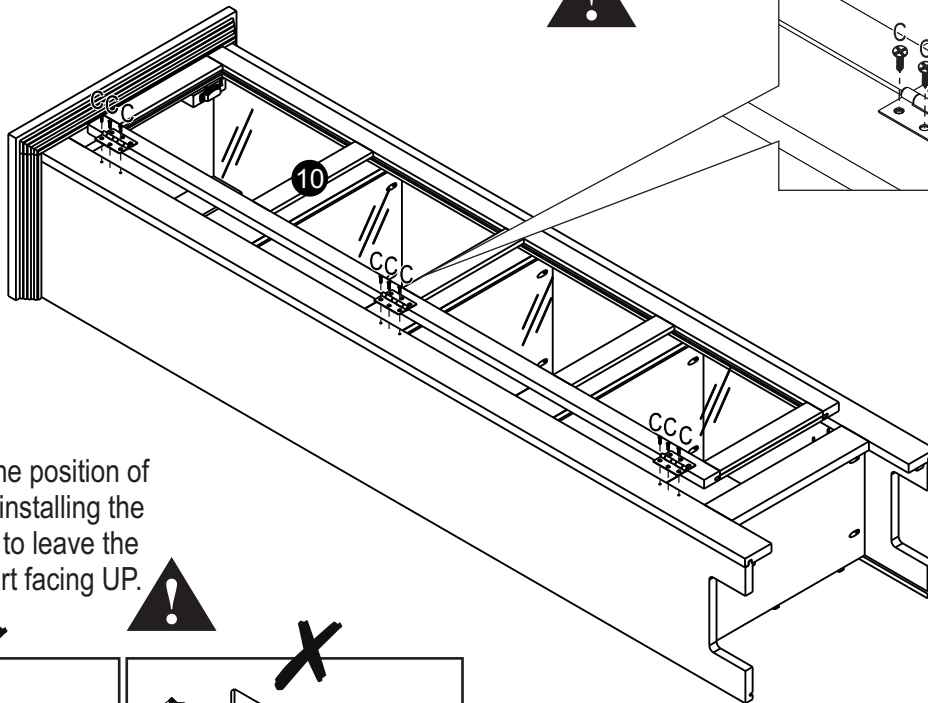
09



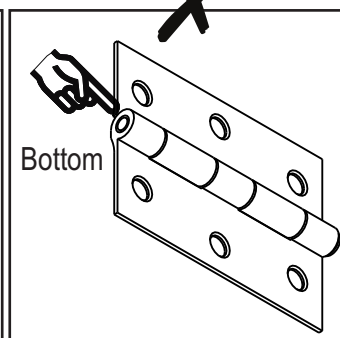
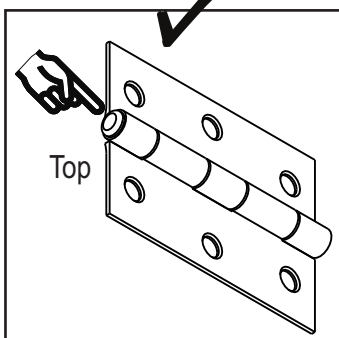
Lay Down Face Up



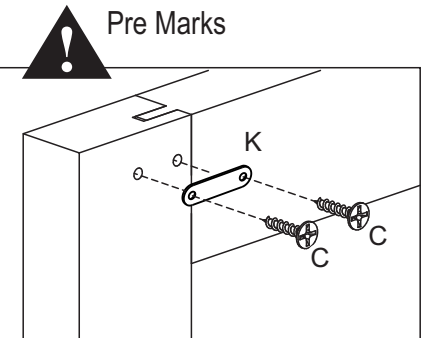
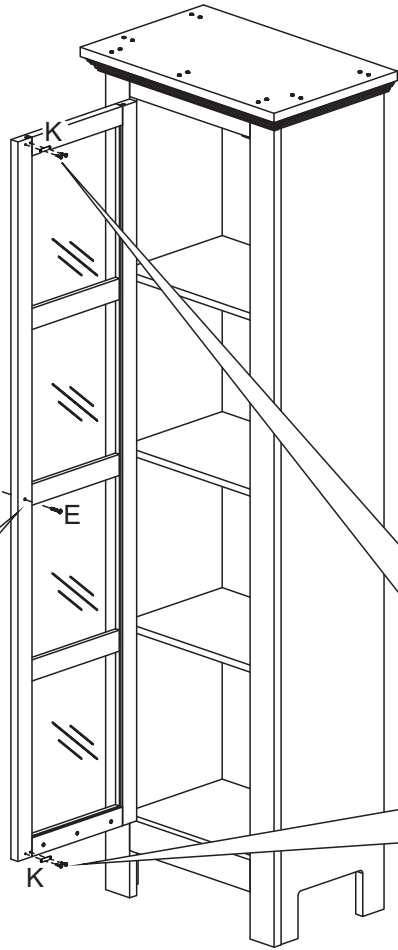
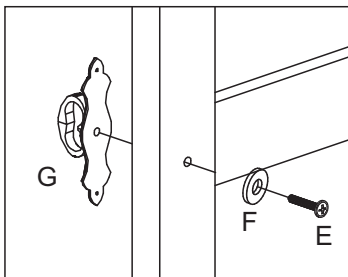
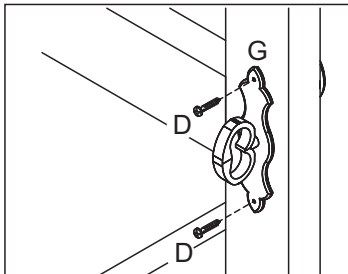
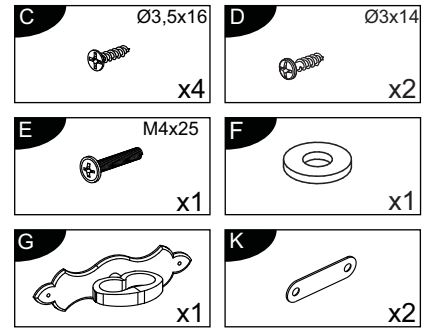
Pre Marks



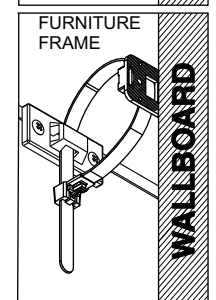
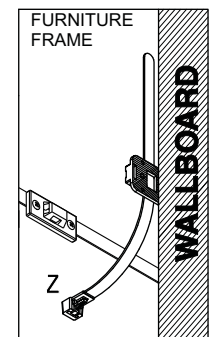
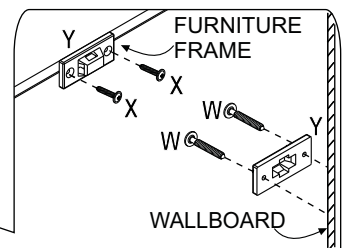
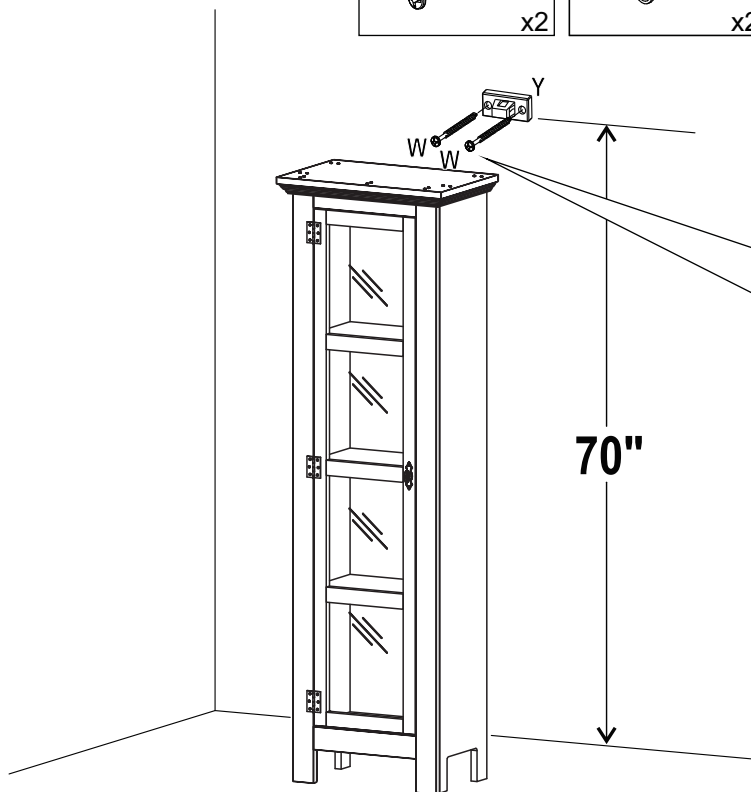
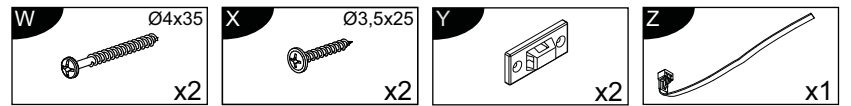
Pay attention to the position of the hinges when installing the doors! You need to leave the finished hinge part facing UP.



10



11



ATTENTION

Screws supplied are for wood interior walls (plywood/OSB/wood). If your walls are in plasterboard or similiar, need to look for proper screws with anchors.