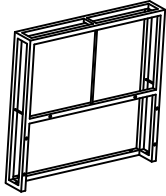
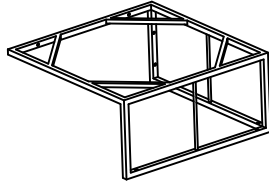


# Assembly Instruction

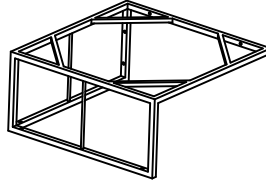
1. Please check the carton and Packing materials before disposing, to ensure that you have all the parts for this products
2. Do not tighten all screws completely until assemble is completed



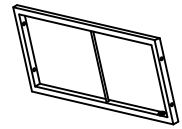
E: Middle sofa back  
2pcs



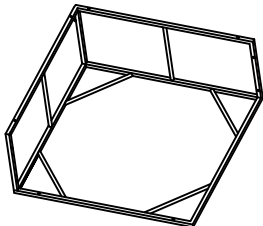
G: Left middle sofa seat  
1pc



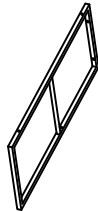
H: Right middle sofa seat  
1pc



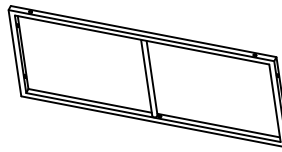
I: middle sofa side part  
2pcs



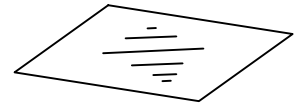
K: Table top  
1pc



L: Table part1  
1pc



M: Table part2  
1pc



Glass  
1pc



S: Screw M6\*50mm  
12pcs



T: Screw M6\*35mm  
14pcs



16\*6.4\*1  
38pcs



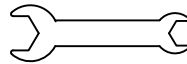
W: Nut M6  
12pcs



Z: Adjustable Screw  
24pcs



Inner hexagon spanner  
1pc



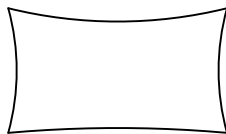
Open spanner  
1pc



Plastic parts  
4pcs

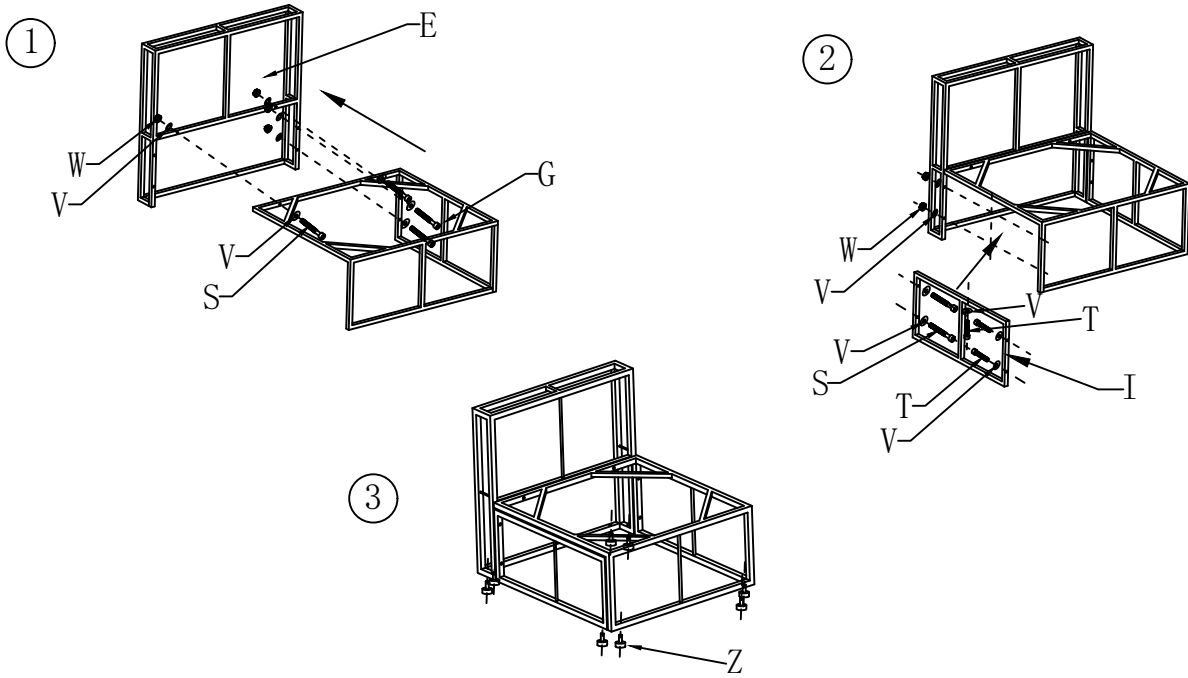


Seat cotton (lounger)  
2pcs



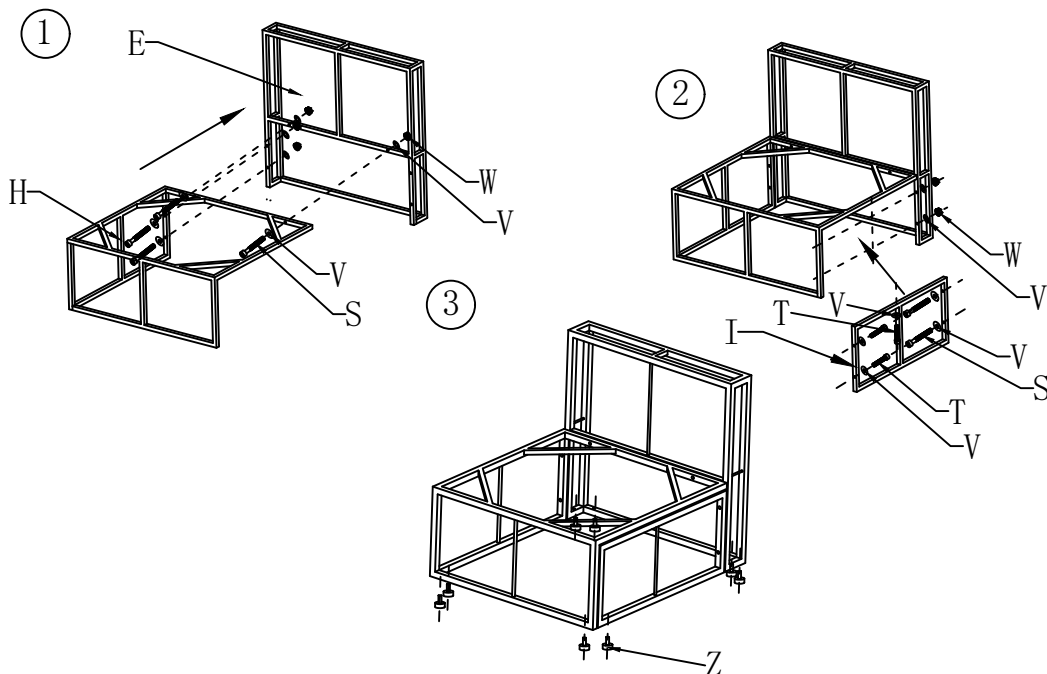
Back cotton  
2pcs

## Left middle sofa

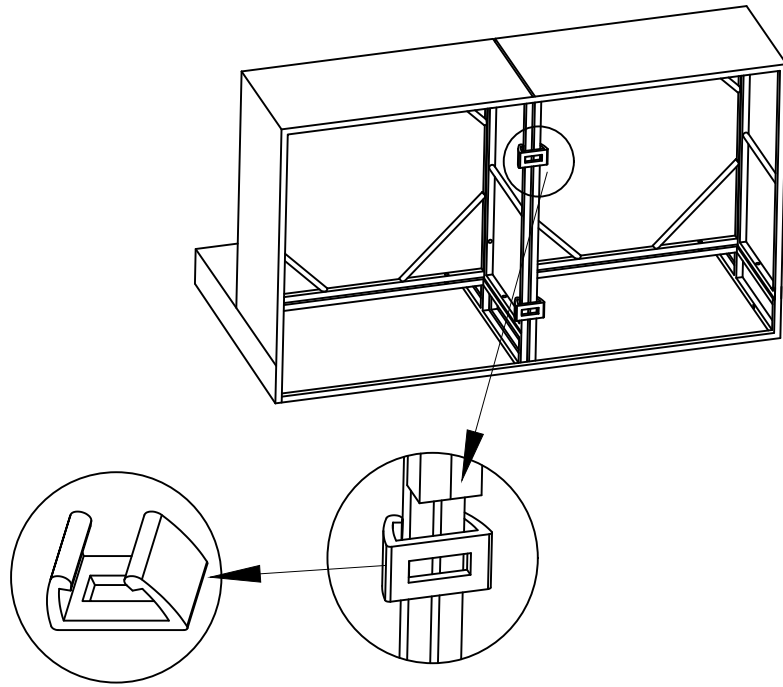


Note: Please do not fix screws tightly before all screws and holes connected.  
Tks.

## Right middle sofa

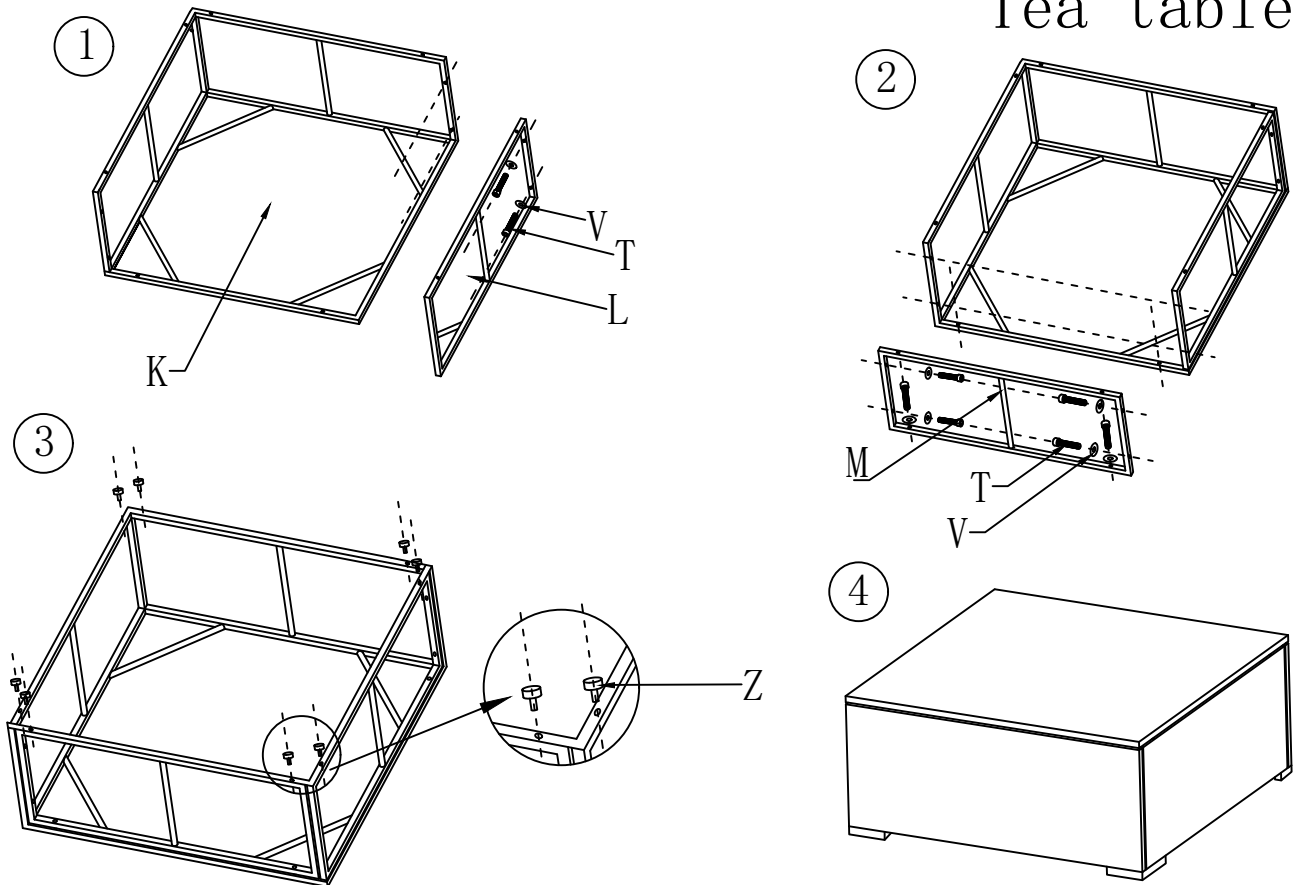


Note: Please do not fix screws tightly before all screws and holes connected.  
Tks.



Note: Please do not fix screws tightly before all screws and holes connected.  
Tks.

## Tea table



Note: Please do not fix screws tightly before all screws and holes connected.  
Tks.