

WARNING!!

Children have died from furniture tipover. Tip restraints have been included with this product; you must install the tip restraints according to these instructions in order to minimize the risk of furniture tipping.

NEVER allow children to climb or hang on furniture, including drawers or cabinet doors.

In addition to installing the restrains, to help prevent tip-over

1. **NEVER** put a TV or other heavy objects on top of this product".
2. Do not stand on the product

⚠ WARNING	
	<p>Children have died from furniture tipover. To reduce the risk of furniture tipover:</p> <ul style="list-style-type: none">• ALWAYS install tipover restraint provided.• NEVER put a TV on this product.• NEVER allow children to stand, climb or hang on drawers, doors, or shelves.• NEVER open more than one drawer at a time.• Place heaviest items in the lowest drawers.• Do not defeat or remove the drawer interlock system. <p><i>This is a permanent label. Do not remove!</i></p>
	

Care & Maintenance



- Furniture may scratch floors. We recommend using furniture pads to protect your floors.



- Do not put hot items directly on furniture surface.



- Do not clean furniture with harsh cleansers or polish.



- Do not place furniture under direct sunlight.



- Do not place furniture near heating or cooling vents.



- Do not write on furniture without a padded barrier to protect the surface.



- Do not place furniture outside . For indoor use only.



- Not for commercial use. For residential use only.



- Stains may be removed with mild soap solution and damp cloth.



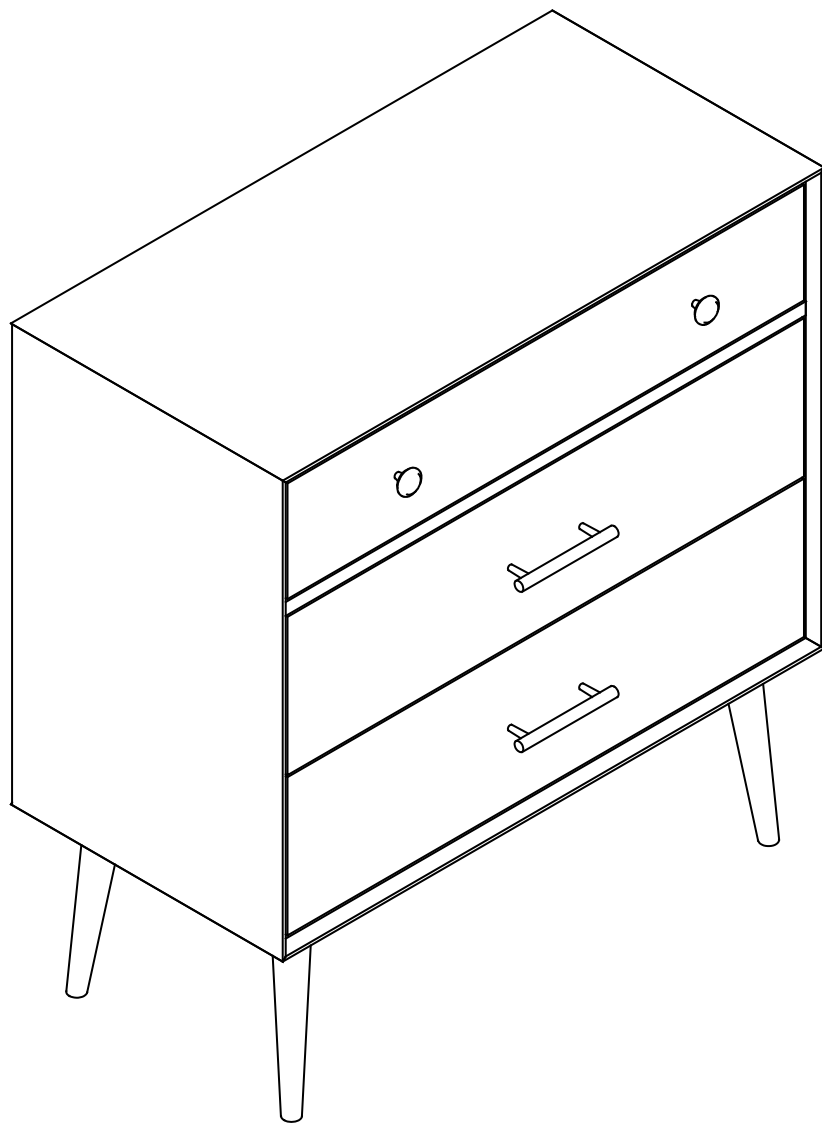
- Children should not climb or jump on the furniture.



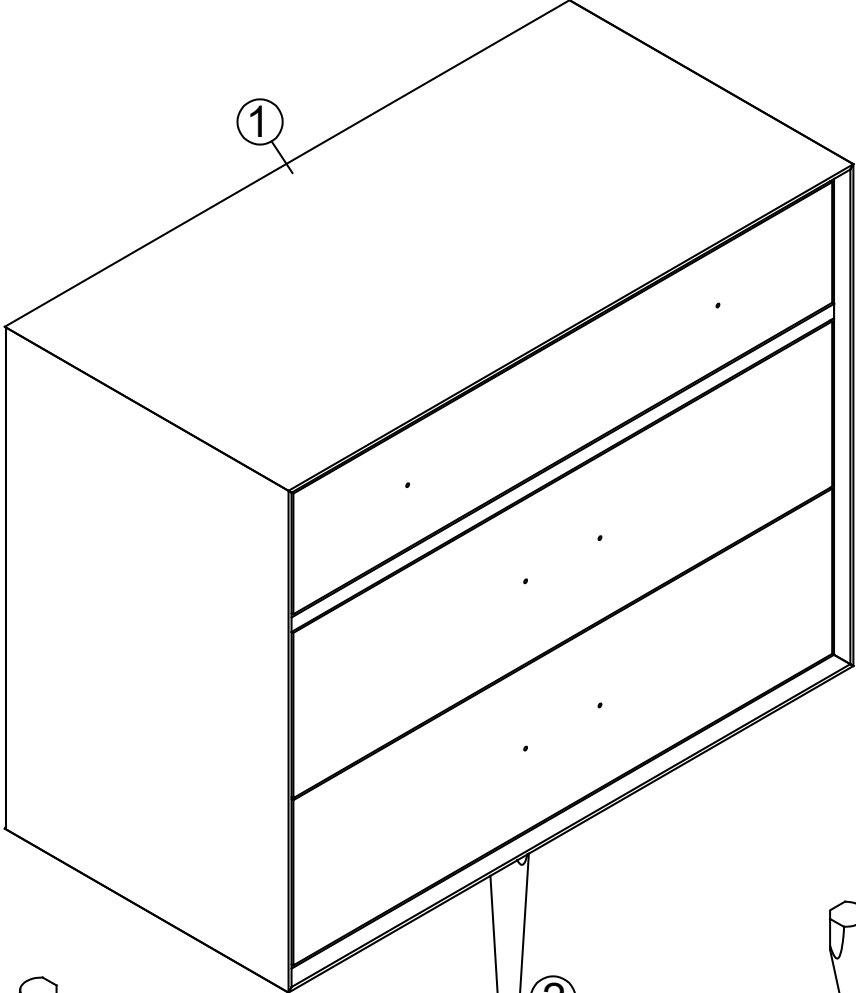
- Dust and pick-up spills using a clean, non-colored, lint-free cloth.

ASSEMBLY INSTRUCTIONS

3 DRAWER CABINET

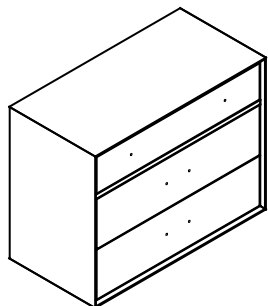


Detail View



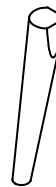
Part List

① x 1 PC



NIGHT STAND

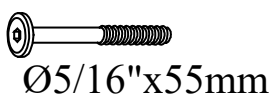
② x 4 PCS



Legs

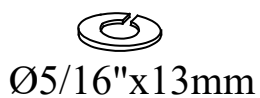
Hardware List

Ⓐ x 8PCS



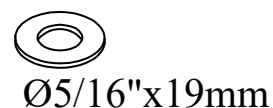
Bolts

Ⓑ x 8PCS



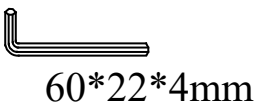
Spring Washer

Ⓒ x 8PCS



Flat Washer

Ⓓ x 1PC



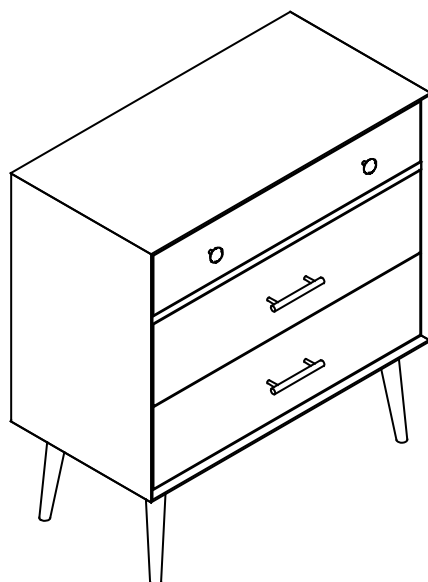
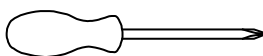
Allen key

Ⓔ x 1PC

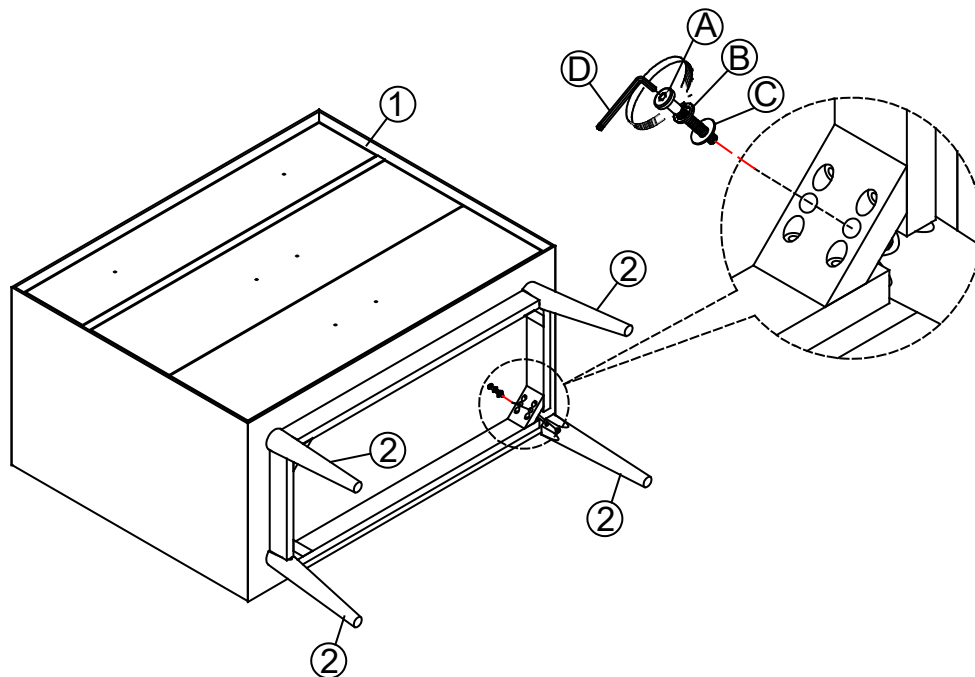


ANTI-TIP SET

ASSEMBLY TOOLS REQUIRED (NOT INCLUDED)

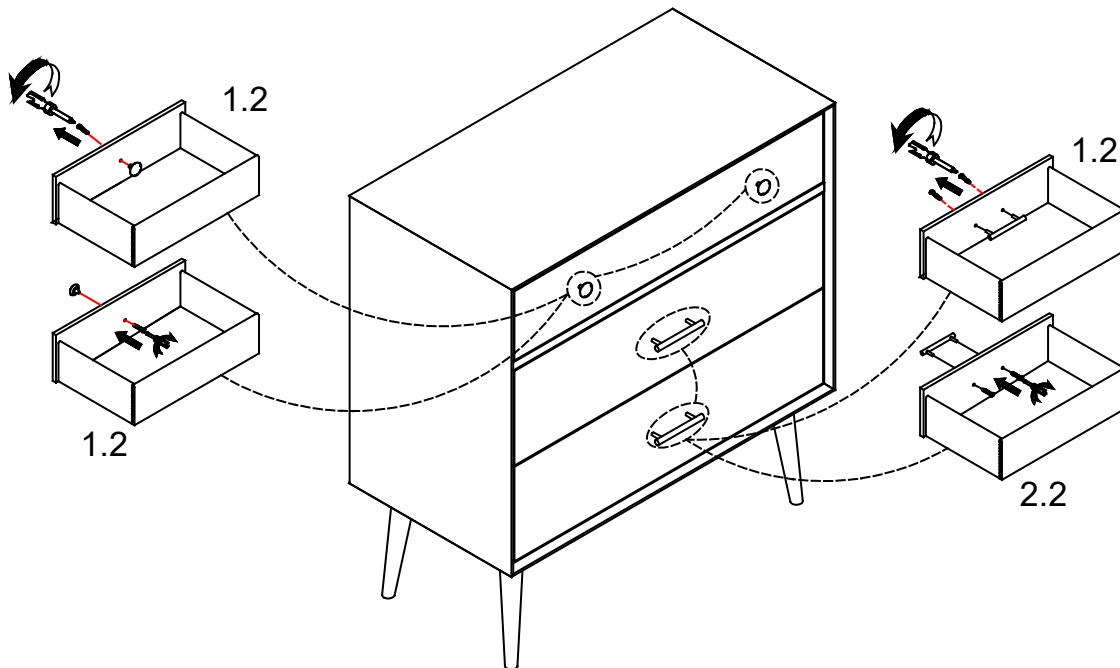


STEP: 1



Attach the legs (2) to the Night Stand (1), using the bolts (A), spring washers (C), flat washers (D), and wooden dowels (E), Allen key (K). Tightening the bolts completely at this step

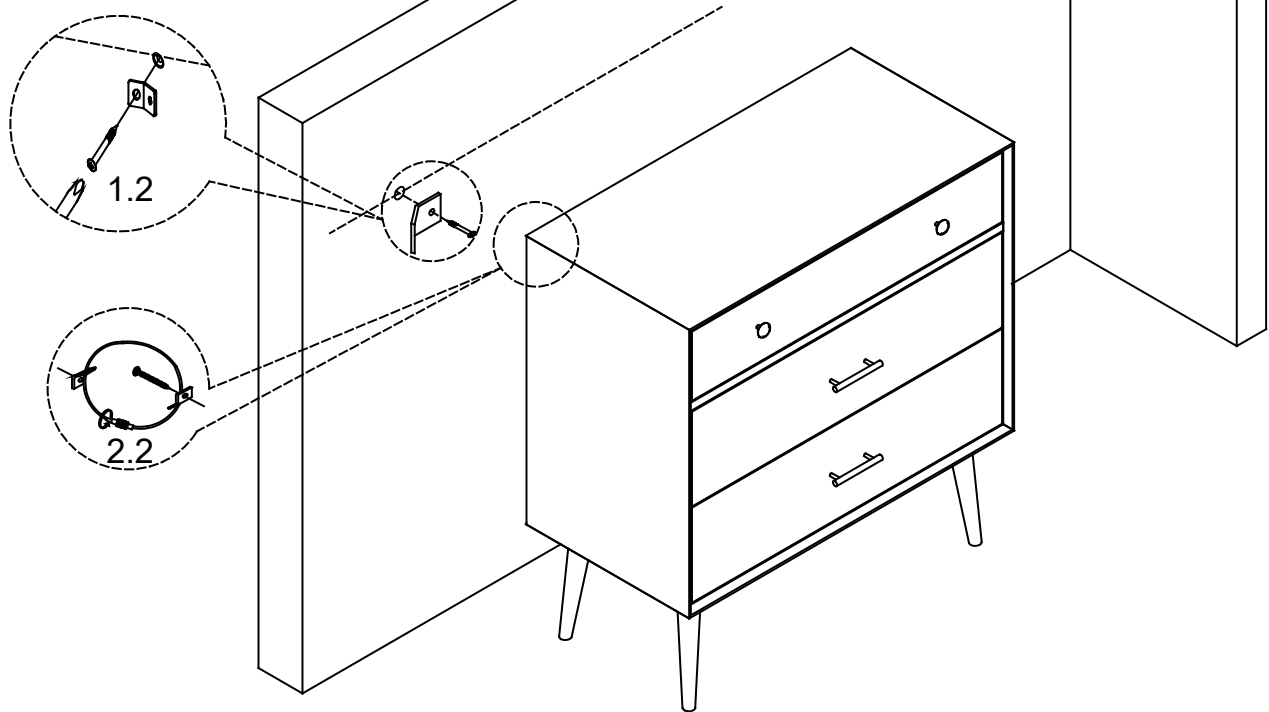
STEP: 2



1.2 Open the drawer, and using a screwdriver, remove the handle bolt.

2.2 Turn the handle outward and tighten it again. Repeat the same operation for the next drawers

STEP: 3



- 1.2 Attach the Metal Brackets, to the Wall Plugs, using Pan Head Screws, and a Screwdriver
2.2 Move the 3-Night Stand against the wall. Pull the anti-tip, through the Metal Bracket, on the wall and 3-Night Base respectively and tighten the lock on the anti-dumping strap

FINAL

