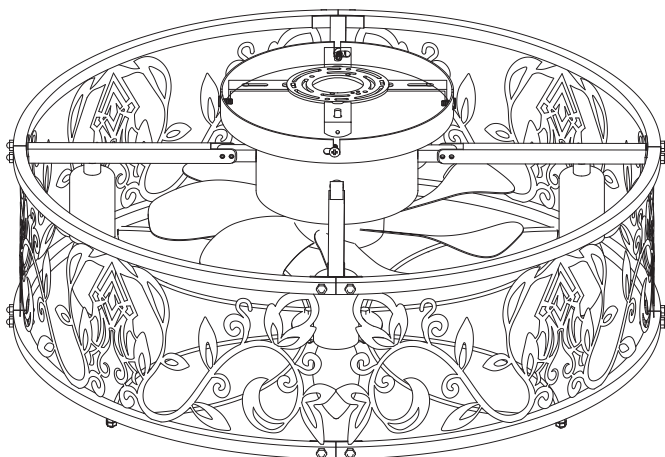

Ceiling Fan With Light User Manual

NO.6033



Scan the QR code to watch
the installation video

Notice Before Installation

1. Not compatible with a dimmer switch, Please use a regular ON/OFF wall button switch or the included remote.
2. Contact us via order page if any damaged / missing parts / other questions.
(Reply within 6 hours / Free Replacement Partial Refund)
3. Although the installation is simple, for safety reasons, we recommend having a professional electrician complete the installation.
4. Please scan the QR code to watch the Installation Video.



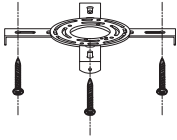
Scan the QR code to watch
the installation video

Warning!

- 1) Please install by professional.
- 2) The voltage available for AC110V AC127V AC220V AC85-265V only.
- 3) Don't install the lighting fixture under moist condition.
- 4) Please switch off the power when you clean the lighting fixture.
- 5) Keep away from acidic & corrosive material.

Package includes

Check to see that you have received the following parts:



Hanging Bracket



screwdriver



M3 wrench



M4 wrench



M3 screw



M4 screw



M3 Hexagon cap nut



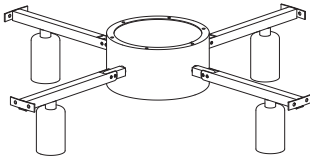
M4 Hexagon cap nut



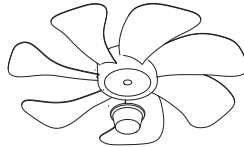
Hook



Canopy



Motor+bracket



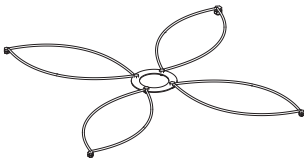
Blades+cap



Paper tube assisting assembly



Frame pieces

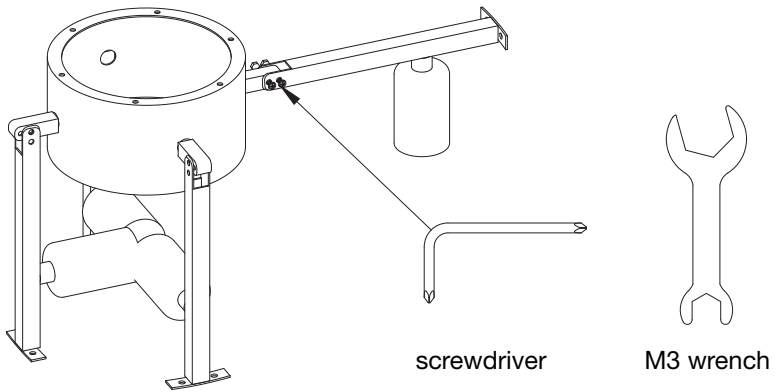


safety cover

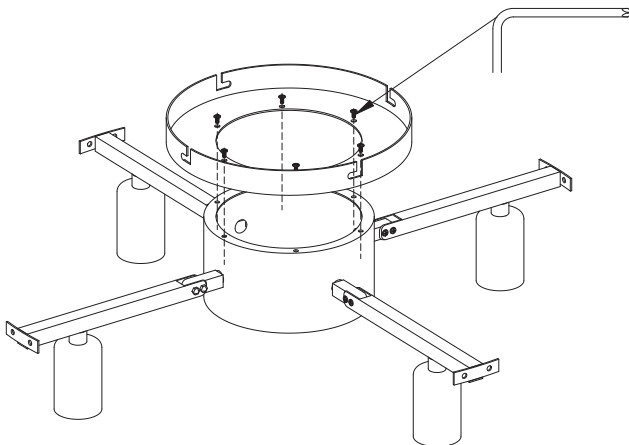


Hand-Held Remote

How to assemble ?

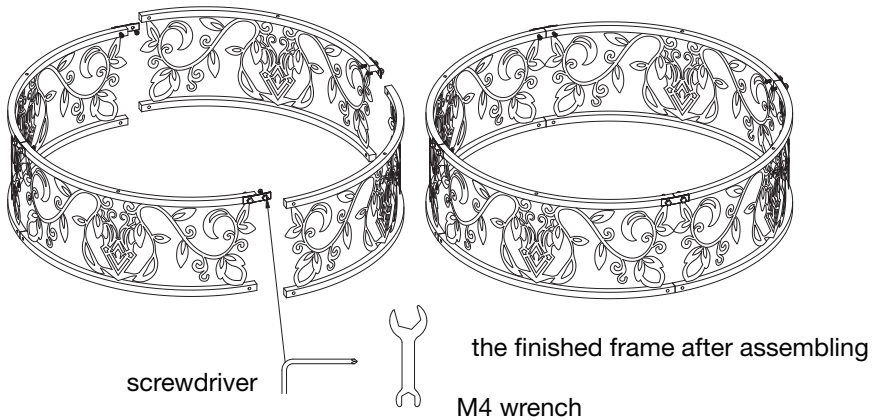


Step1: Expand the square tube brackets and lock it with M3 screws, M3 wrench, and the screwdriver.

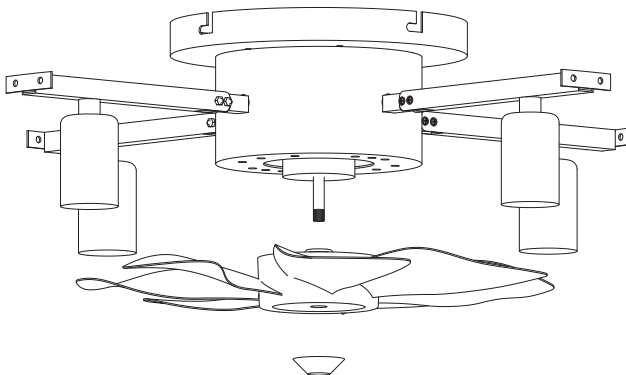


Step2: Lock the ceiling plate with the light frame ,using M3 screws and the screwdriver.

How to assemble ?

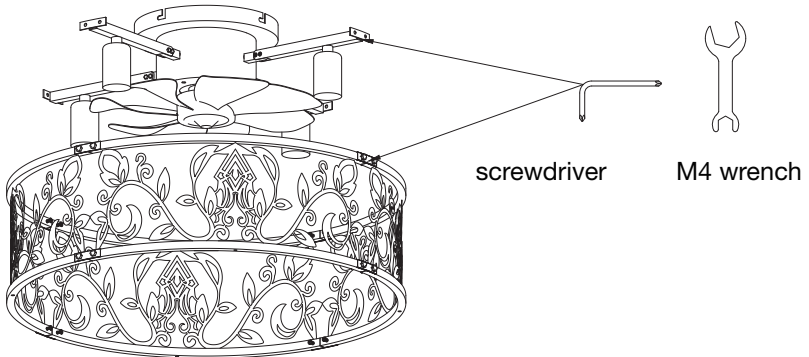


Step3: Open the connectors on the frame and lock it tightly with M4 screws, hex cap nuts, M4 wrench, and the screwdriver.



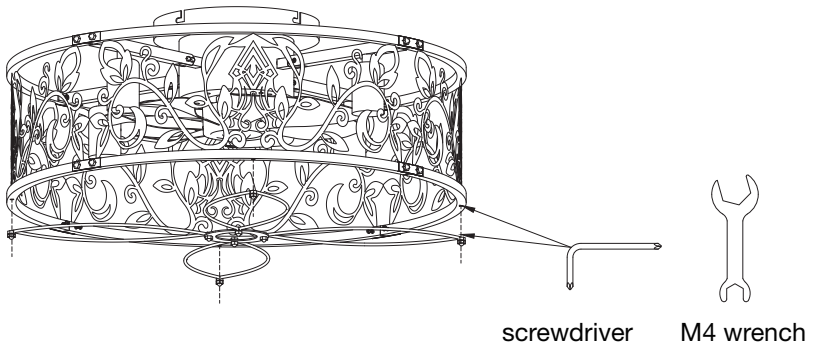
Step4: Install the blades and tighten the blade cap.

How to assemble ?



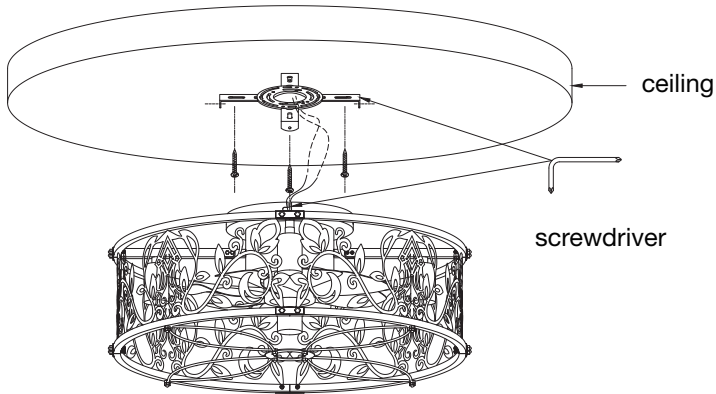
Turn over the finished frame up side down

Step5: Turn over the finished frame and lock it with M4 screws, M4 wrench, hex cap nuts, and the screwdriver.



Step6: Expand the bottom safety cover, and use M4 screws, M4 wrench, hex cap nuts, and the screwdriver to lock the cover.

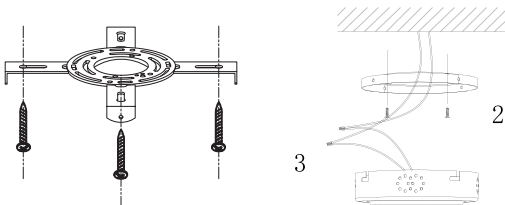
How to assemble ?



Step7: Fix the bracket to the ceiling, connect the power cord to the lamp, install the light bulbs, fix the lamp body onto the bracket, and lock it with M4 screws and M4 wrench tight !

How to Install to the ceiling ?

1. Thread the power cable to the hole of the hanging bracket.
2. Fix the bracket to the ceiling by wood or expansion screws.
3. Connect the live wire and the neutral wire of the lamp body to the power cable separately.
4. Fix the the canopy to the bracket by fastening the screws on the sides



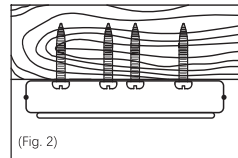
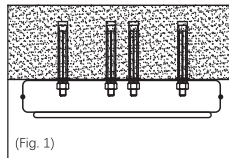
Connect the black wire to the live wire (L).
Connect the white wire to the neutral wire (N).

Install the Mounting Bracket

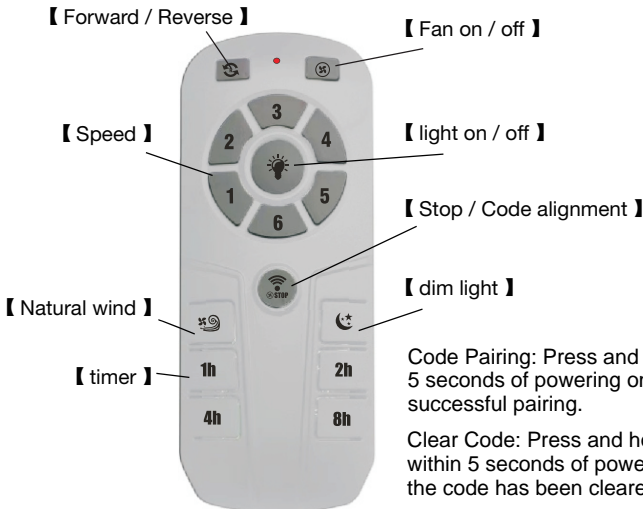
To prevent personal injury and damage, ensure that the hanging location allows the blade a clearance of 7 feet (2.13 meters) from the floor and 18 inches (45.72 centimeters) from any wall or obstruction.


If there isn't an existing CUL listed mounting box, then read the following instructions:


1. For the concrete ceiling: Mark the location for the ceiling fan first, then drill four holes in the ceiling to aid in securing ceiling bracket with four expansion screws provided, and secure the mounting bracket to the building structure with four expansion screws provided, tighten the screws. (If you think that four holes will affect the appearance, you can also only make two holes and fix them with two expansion screws.) (Fig.1)
2. For the Wood Ceiling: Mark the location for the ceiling fan first, secure the mounting bracket to the building structure with four wood screws. (Fig.2)



Variable Frequency Fan Lamp Remote Control Manual



Code Pairing: Press and hold the [STOP]  button within 5 seconds of powering on. The flashing light indicates successful pairing.

Clear Code: Press and hold the [fan speed4+ ] button within 5 seconds of powering on. The flashing light indicates the code has been cleared.

Wall Control Setting: Press [fan speed3+ ] button.