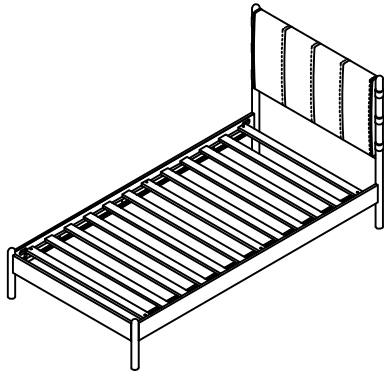


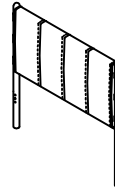
ASSEMBLY INSTRUCTIONS

TWIN

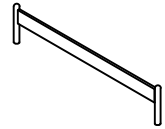


+ Parts Included

① HEADBOARD
(1 PC)



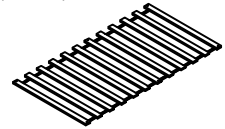
② FOOTBOARD
(1 PC)



③ SIDE RAILS
(2 PCS)



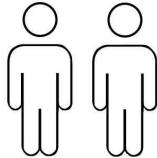
④ SLATS
(1 SET)



+ Do Not Use
Power Tools



+ Suggested
Adults



NOTE:

- 1 Read instructions cover to cover.
- 2 Save all packaging until assembly is completed.

1 IMPORTANT SAFETY INFORMATION

Do not assemble the product if any of the following parts arrived damaged:

- Part 3 - Side Rails
- Part 4 - Slats

2 IMPORTANT ASSEMBLY INFORMATION

Assembly Step Ensure the side rail bracket is fully hooked onto bolt loosely threaded with both washers on the OUTSIDE of the bracket first, then proceed to fully tightening all 4 corners.

+ Hardware Included

A M6 x 60mm
(8 PCS)



B M6
(8 PCS)



C M4 x 32mm
(6 PCS)



D M8 x 30mm
(4 PCS)

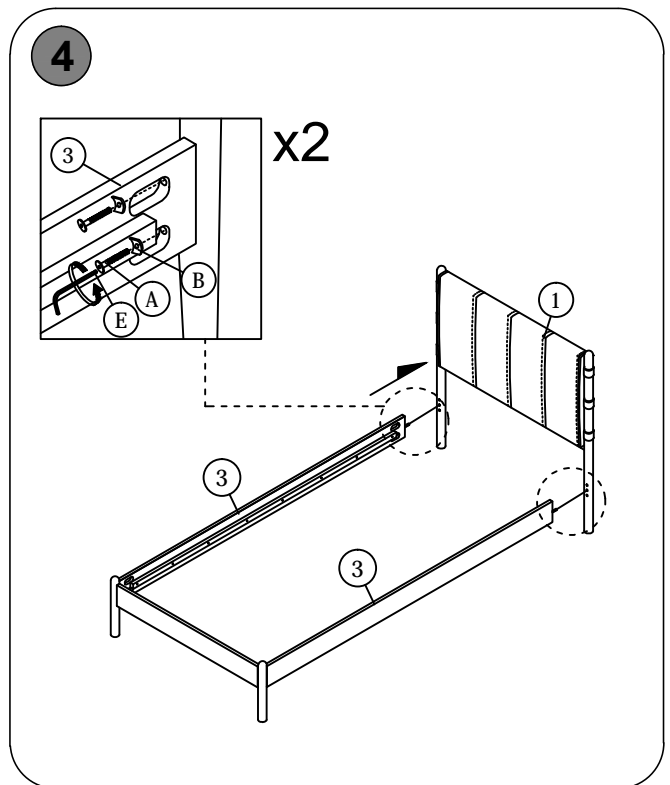
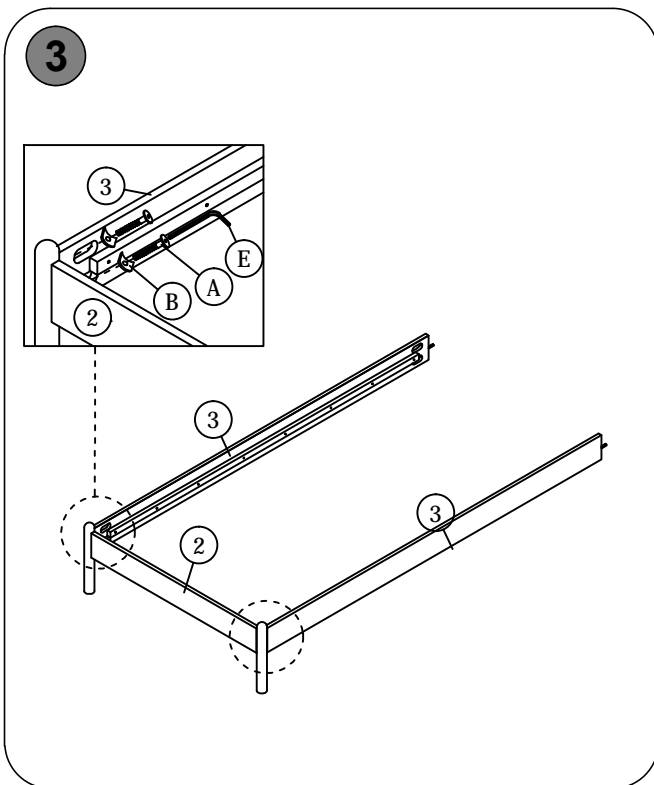
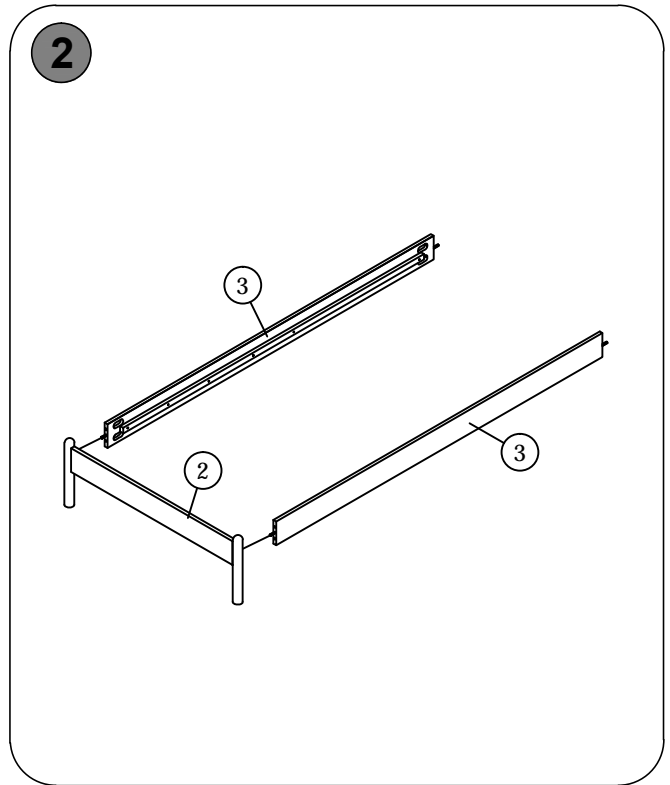
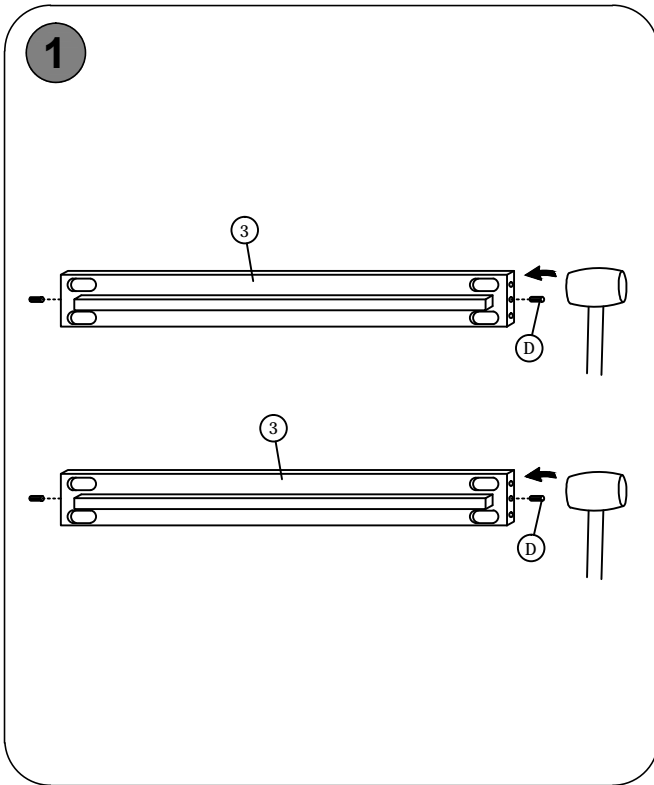


E M4
(1 PC)



ASSEMBLY INSTRUCTIONS

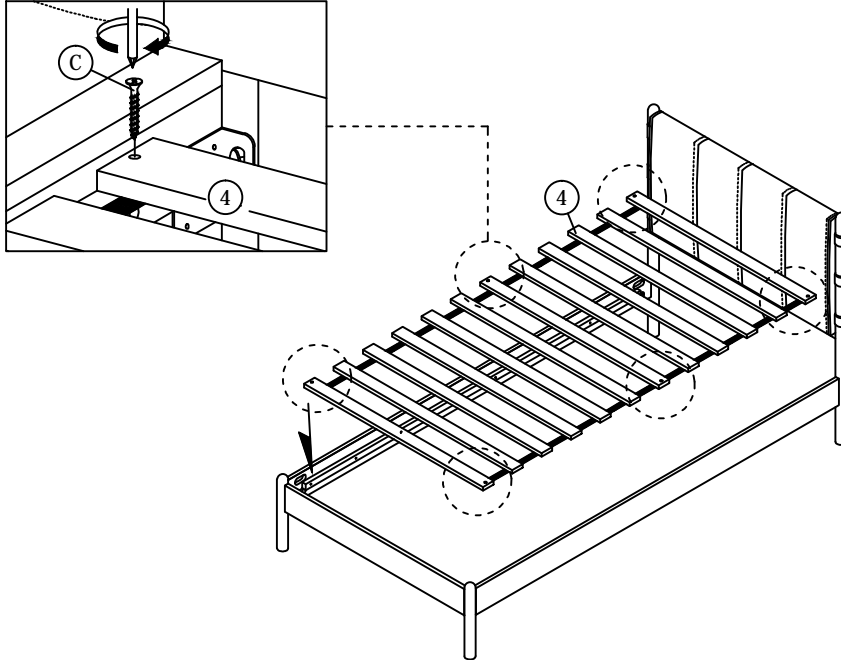
FULL



ASSEMBLY INSTRUCTIONS

FULL

5



6

