

ASSEMBLY INSTRUCTIONS

Hanging Egg Patio Chair



INTRODUCTION

Thank you for purchasing a Hanging Patio Chair! We have designed this chair for maximum comfort and safety. Please read this document carefully to get the most out of your chair.

FEATURES

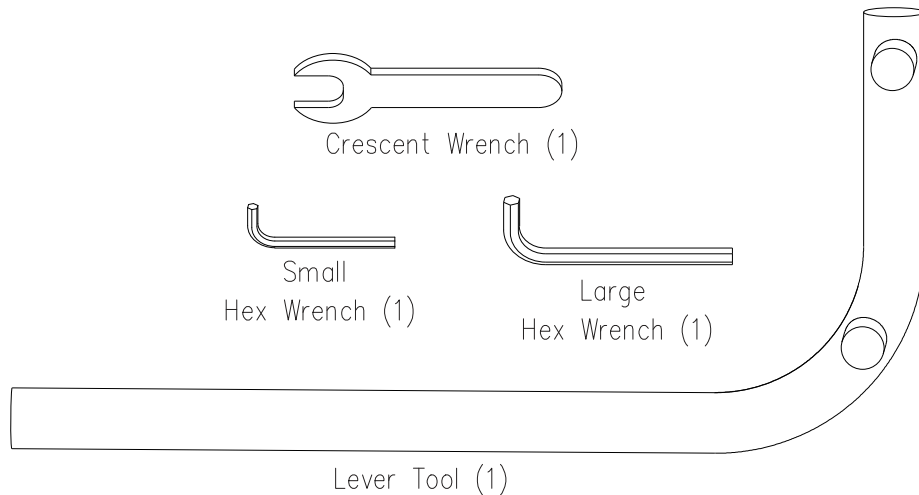
Decorative, Retractable Canopy
Single-point Hanger
Large Pillow
Drink holder

WARNING

Follow these warnings to ensure your safety while using this chair:
Do not allow more than one person to sit in the chair.
Be sure to install the chair on a level, floor or solid outdoor surface.
Never stand on top of the chair.
Do not use the chair in high winds.
Always inspect joints periodically and tighten any loose bolts.
Never store any hazardous materials inside the chair.
Do not position the chair close to a camp fire.

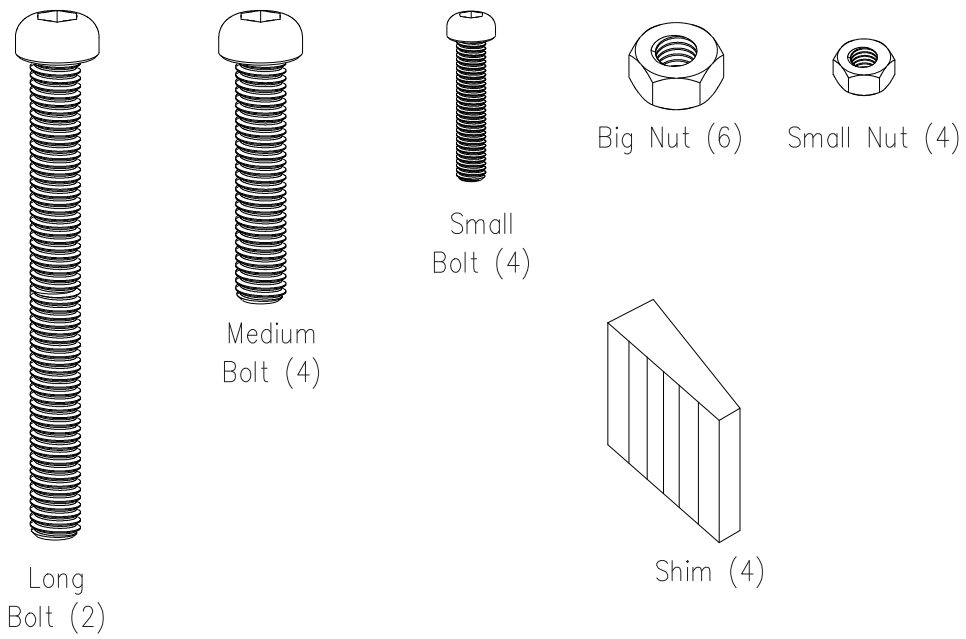
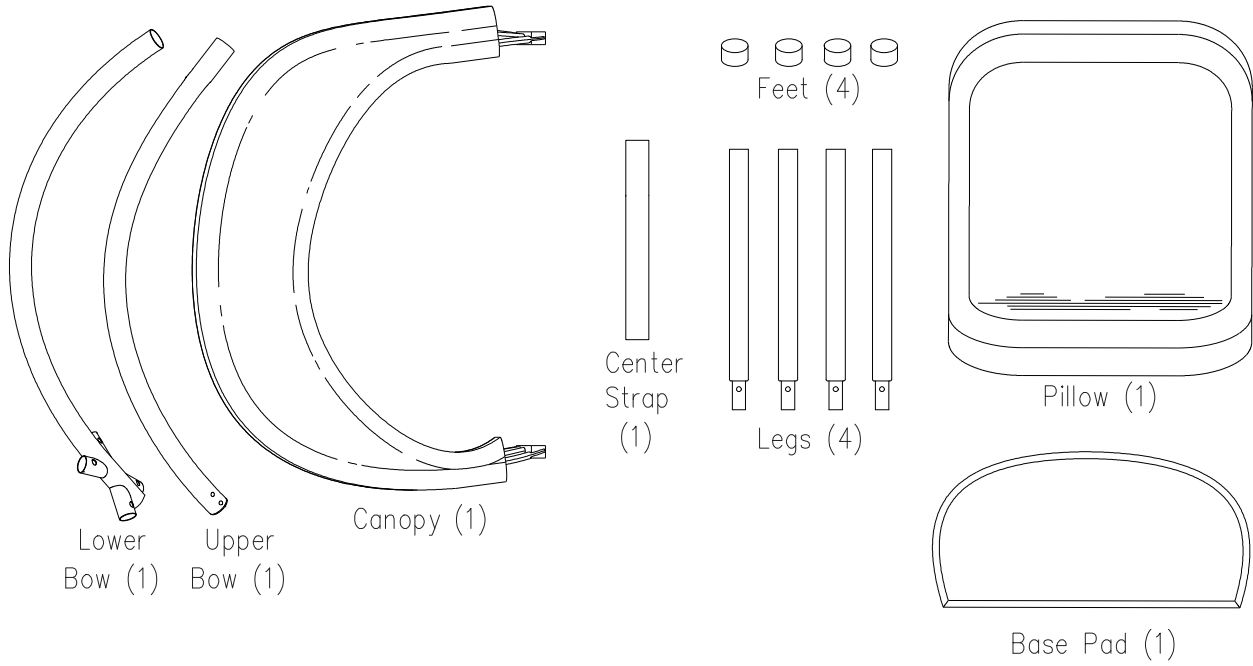
PARTS LIST

Be sure to check that all parts of the chair have been shipped below:



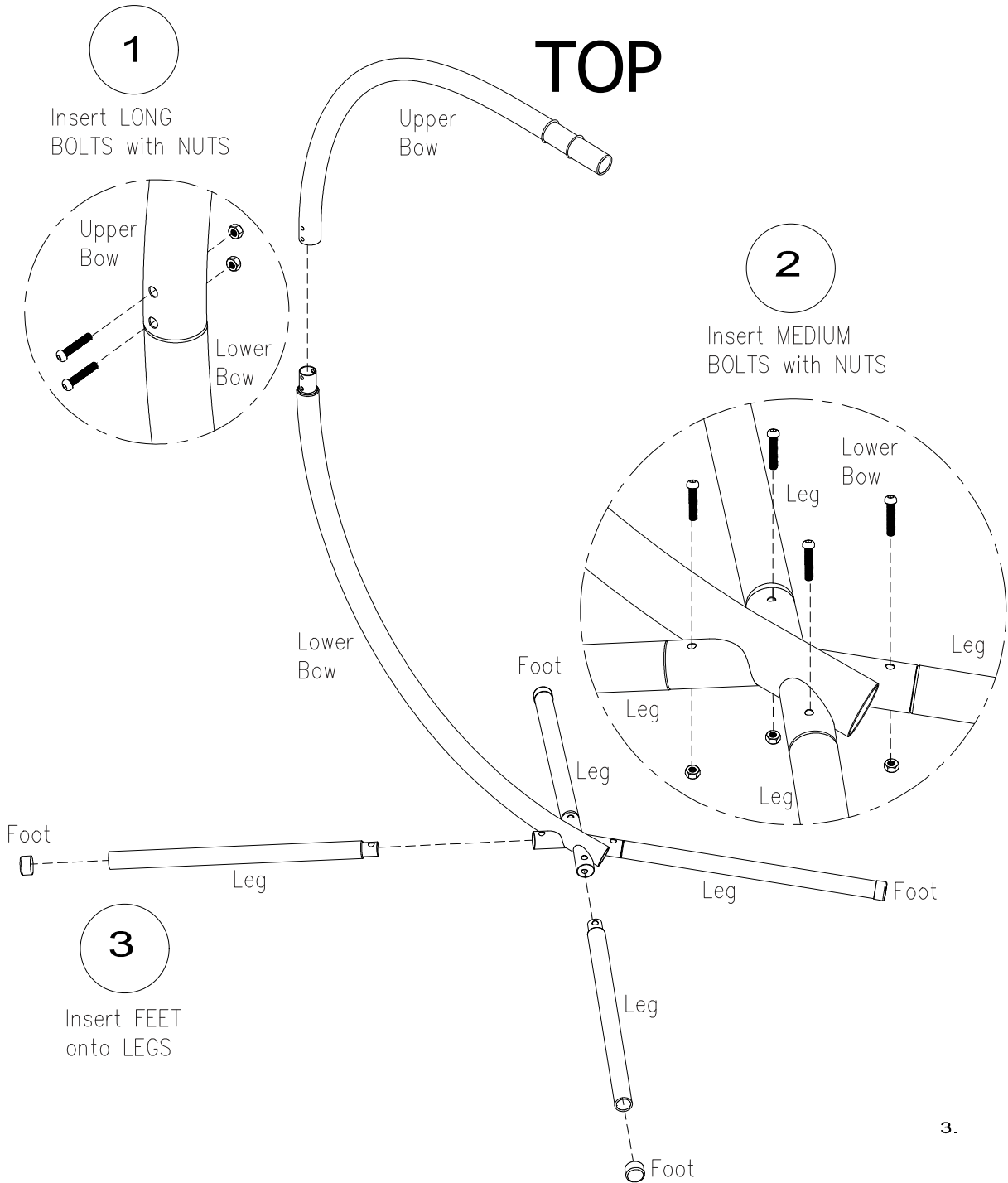
PARTS LIST (cont.)

Be sure to check that all parts of the chair have been shipped below:

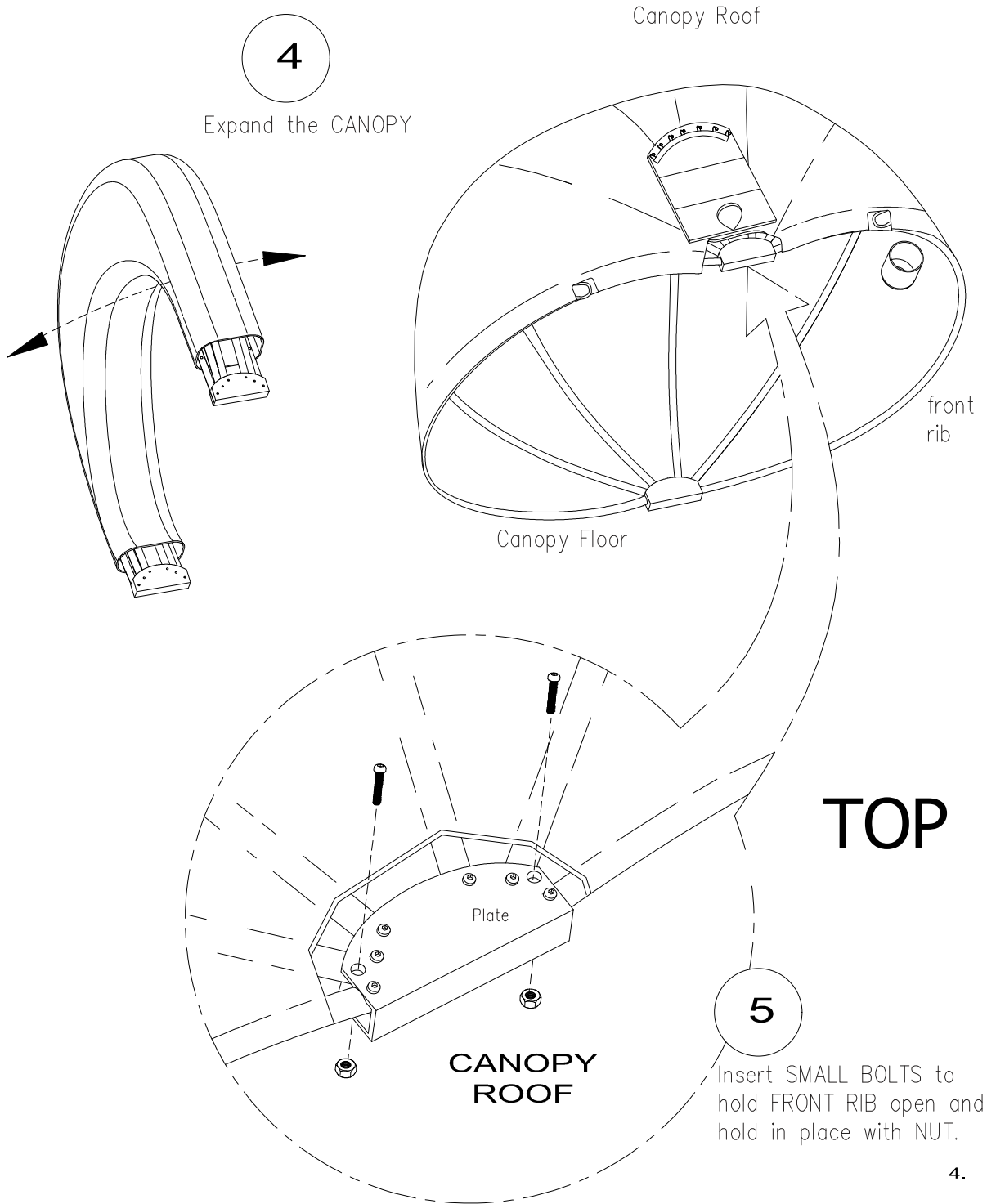


ASSEMBLY

Use the crescent wrench to hold the nuts and the hex wrench to turn the bolts.



ASSEMBLY (cont.)

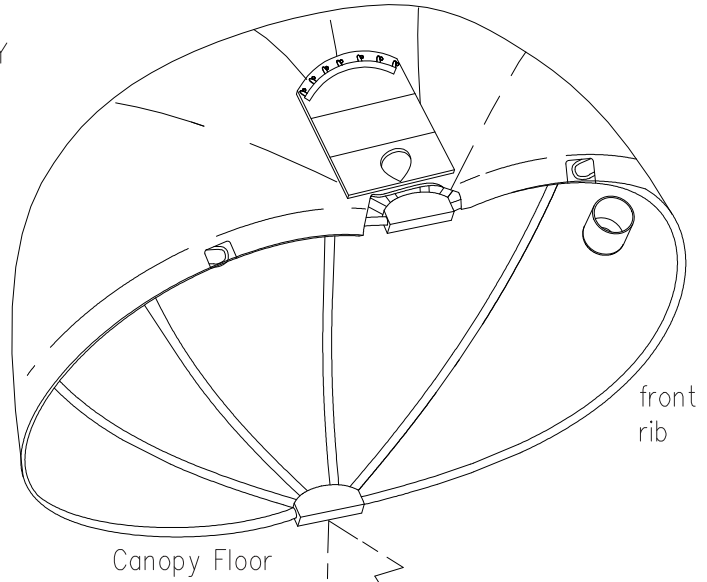


ASSEMBLY (cont.)

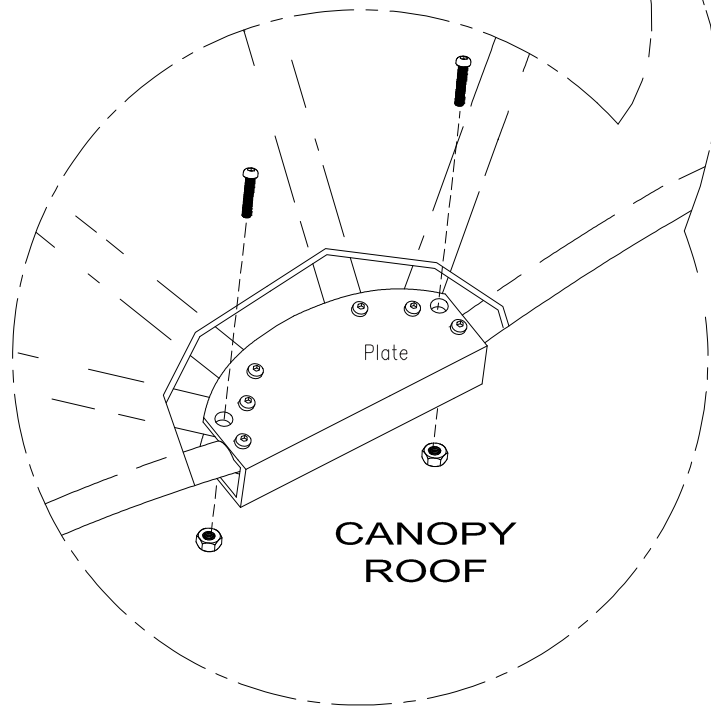
6

Expand the CANOPY

Canopy Roof



BOTTOM

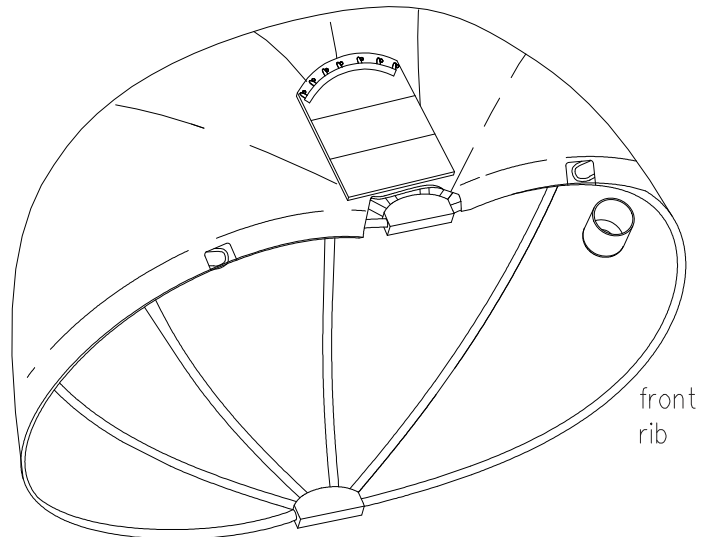


7

Insert SMALL BOLTS to hold FRONT RIB open and hold in place with NUT.

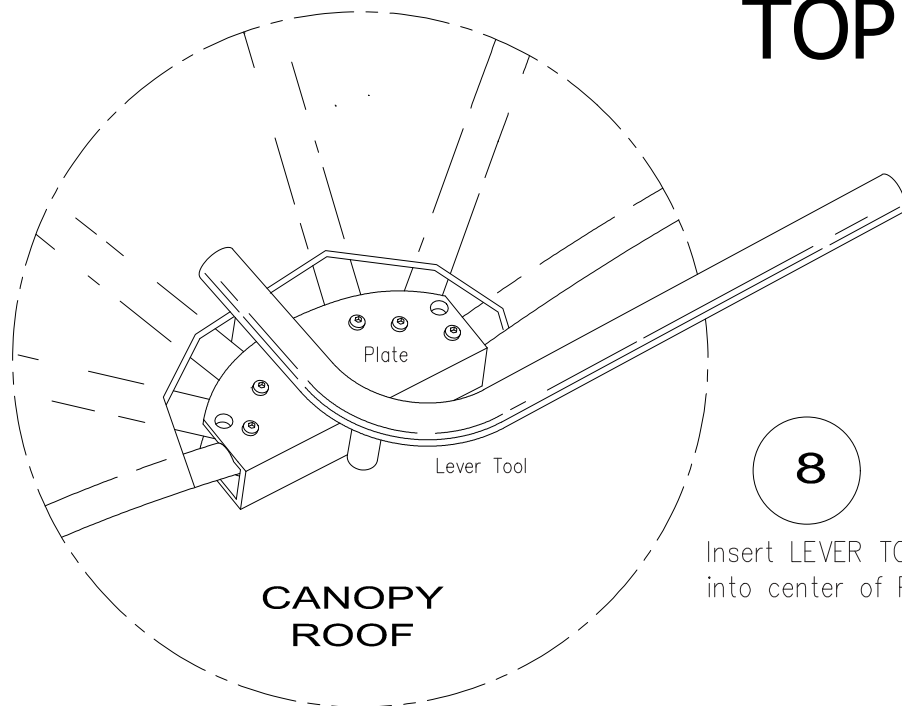
ASSEMBLY (cont.)

Canopy Roof



Canopy Floor

TOP



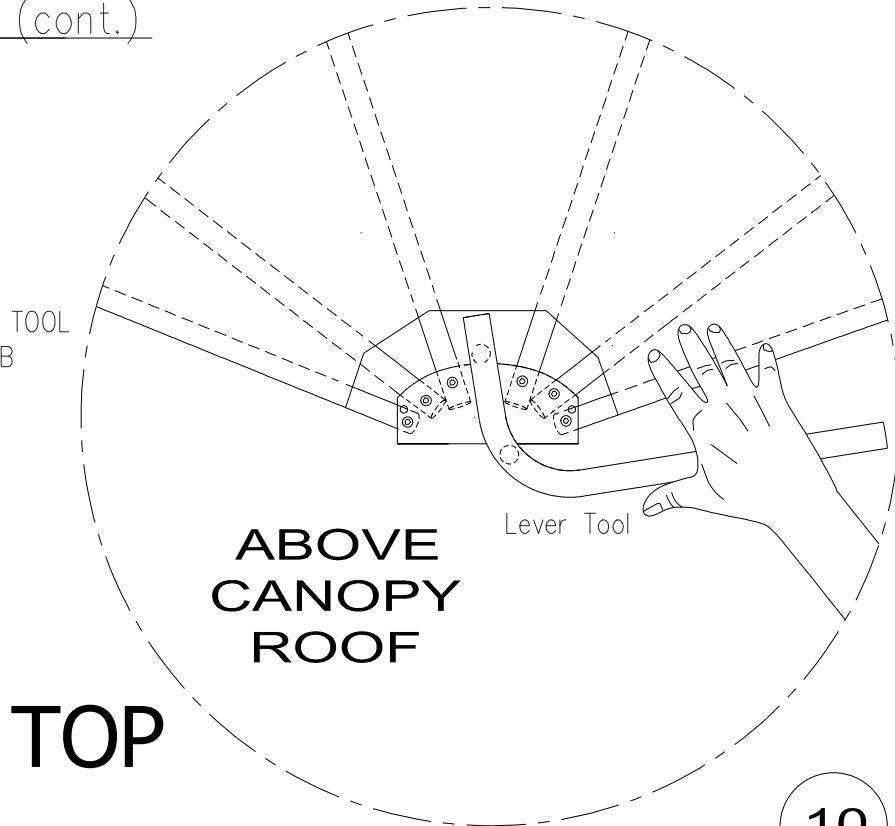
8

Insert LEVER TOOL
into center of PLATE

ASSEMBLY (cont.)

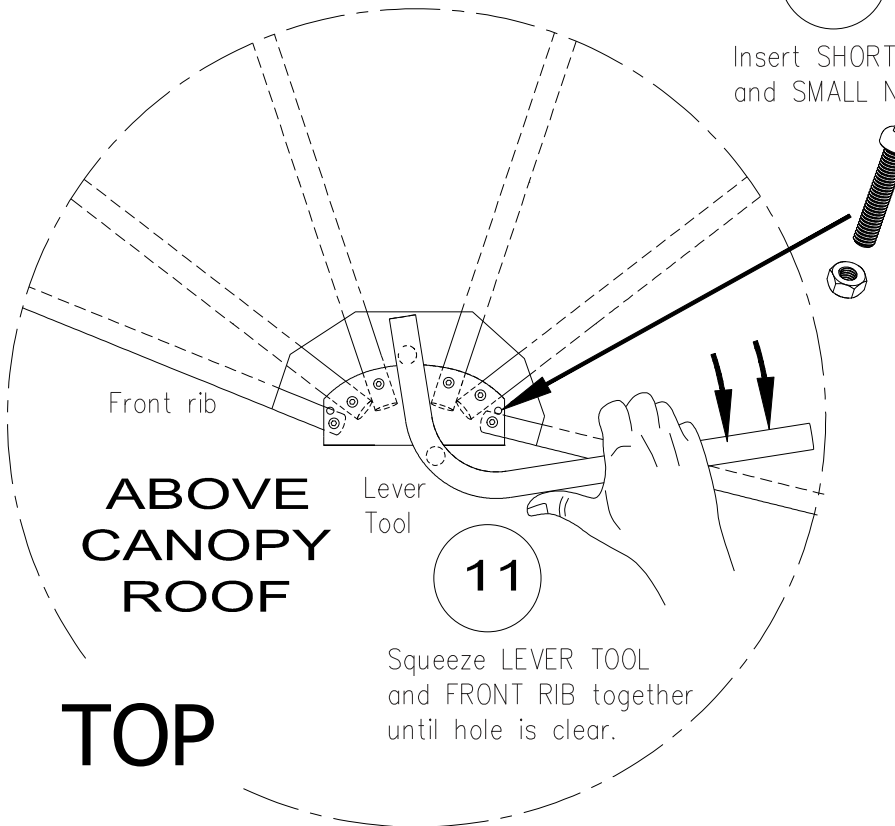
9

Grasp LEVER TOOL
and FIRST RIB



10

Insert SHORT BOLT
and SMALL NUT.



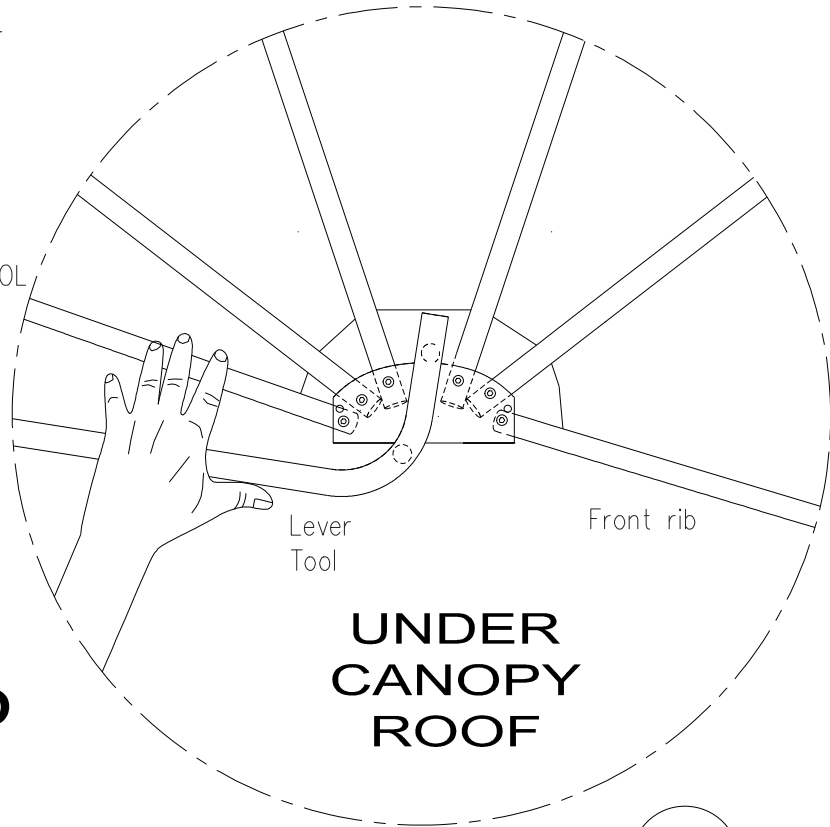
11

Squeeze LEVER TOOL
and FRONT RIB together
until hole is clear.

ASSEMBLY (cont.)

12

Grasp LEVER TOOL
and FIRST RIB



Lever
Tool

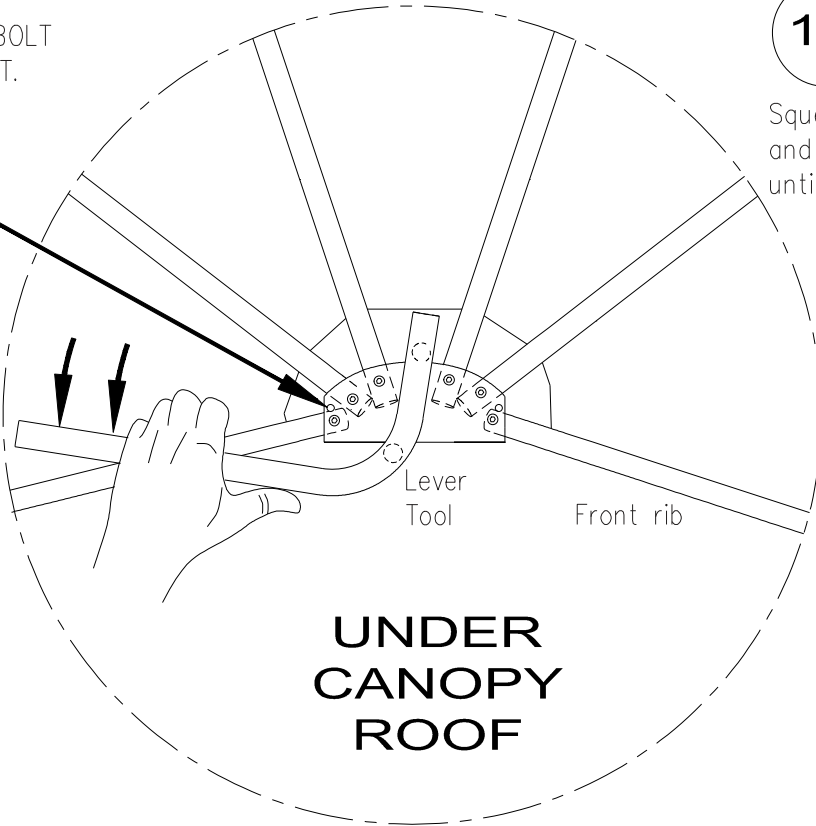
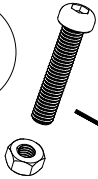
Front rib

TOP

UNDER
CANOPY
ROOF

Insert SHORT BOLT
and SMALL NUT.

14



Lever
Tool

Front rib

UNDER
CANOPY
ROOF

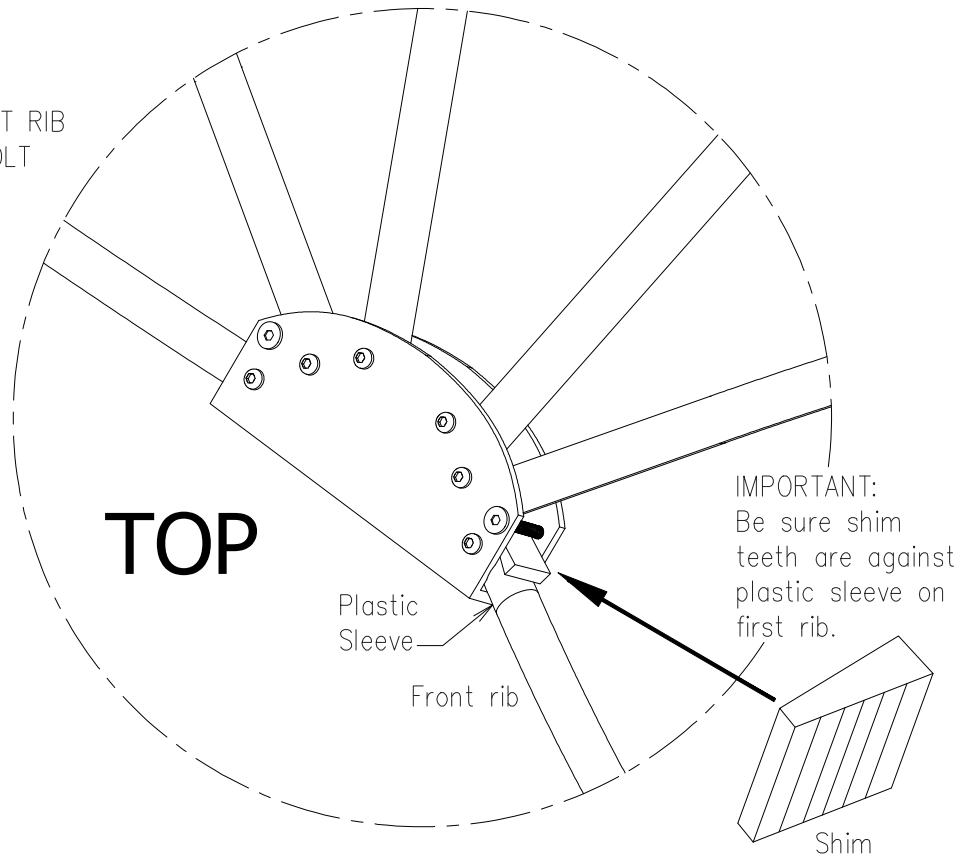
13

Squeeze LEVER TOOL
and FRONT RIB together
until hole is clear.

ASSEMBLY (cont.)

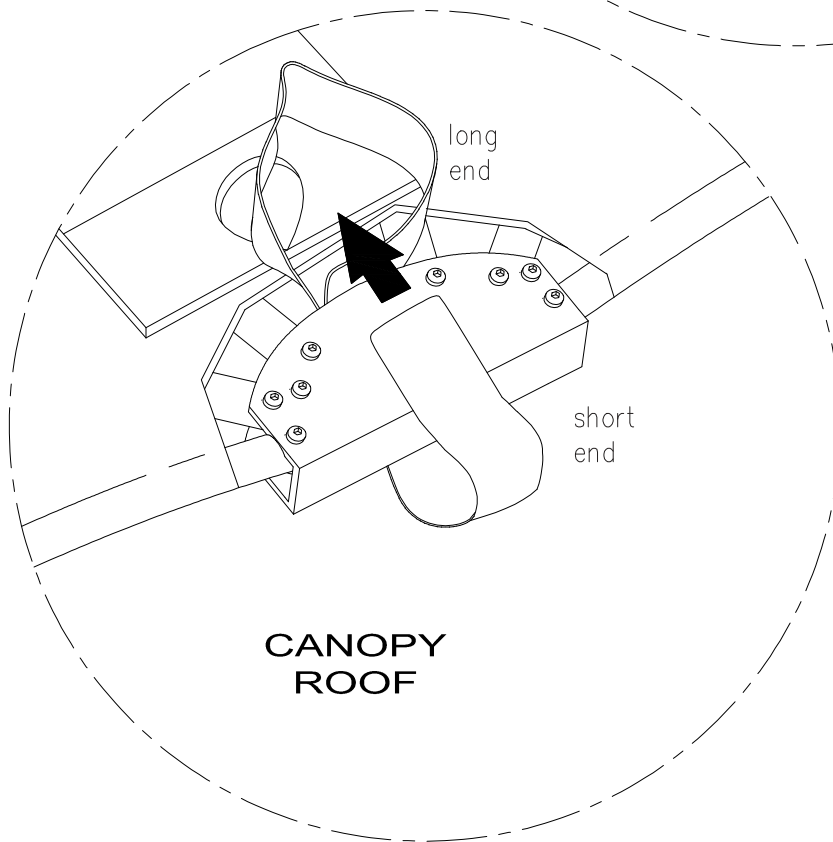
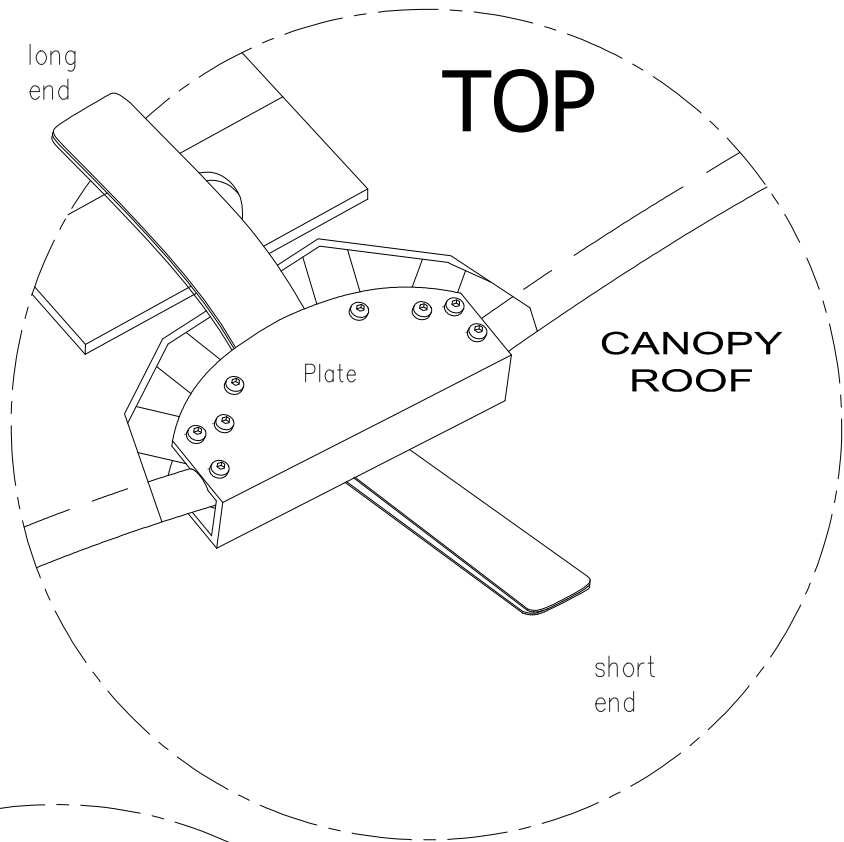
15

Insert SHIM
between FIRST RIB
and LONG BOLT
(optional)



16

Thread long end of
CENTER STRAP
through plate

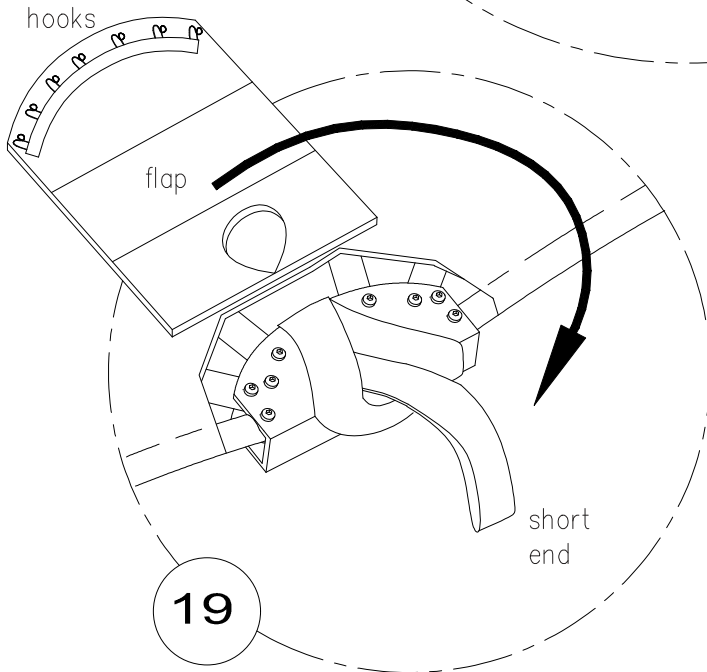
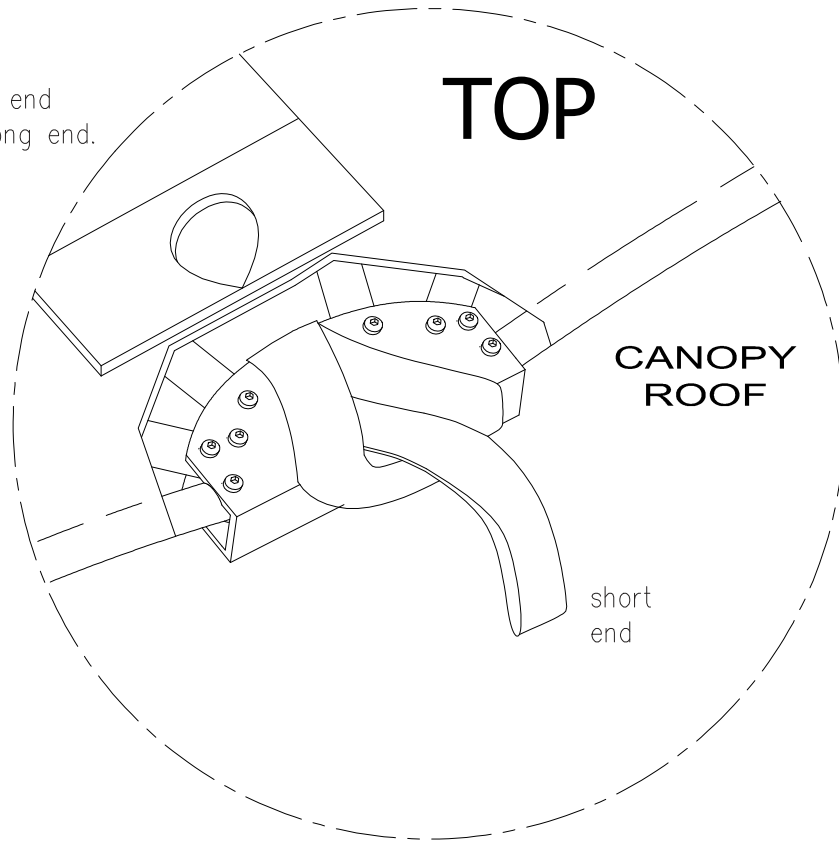


17

Open long end of
CENTER STRAP, feed
short end through

18

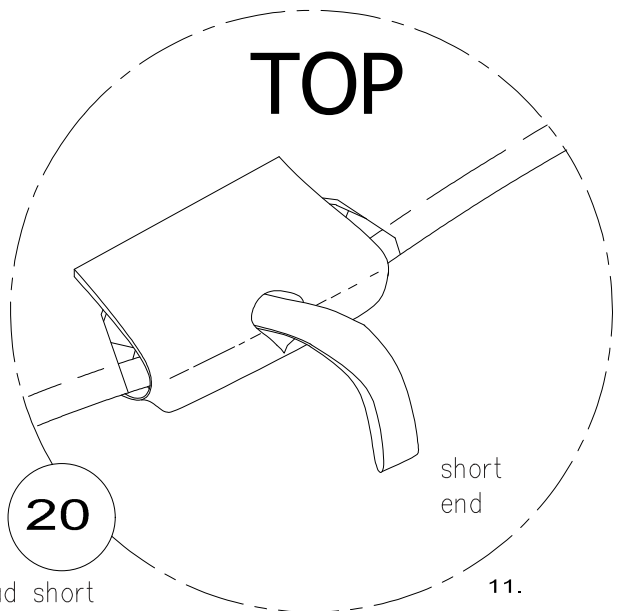
Pull short end through long end.



19
Pull FLAP over short end

20

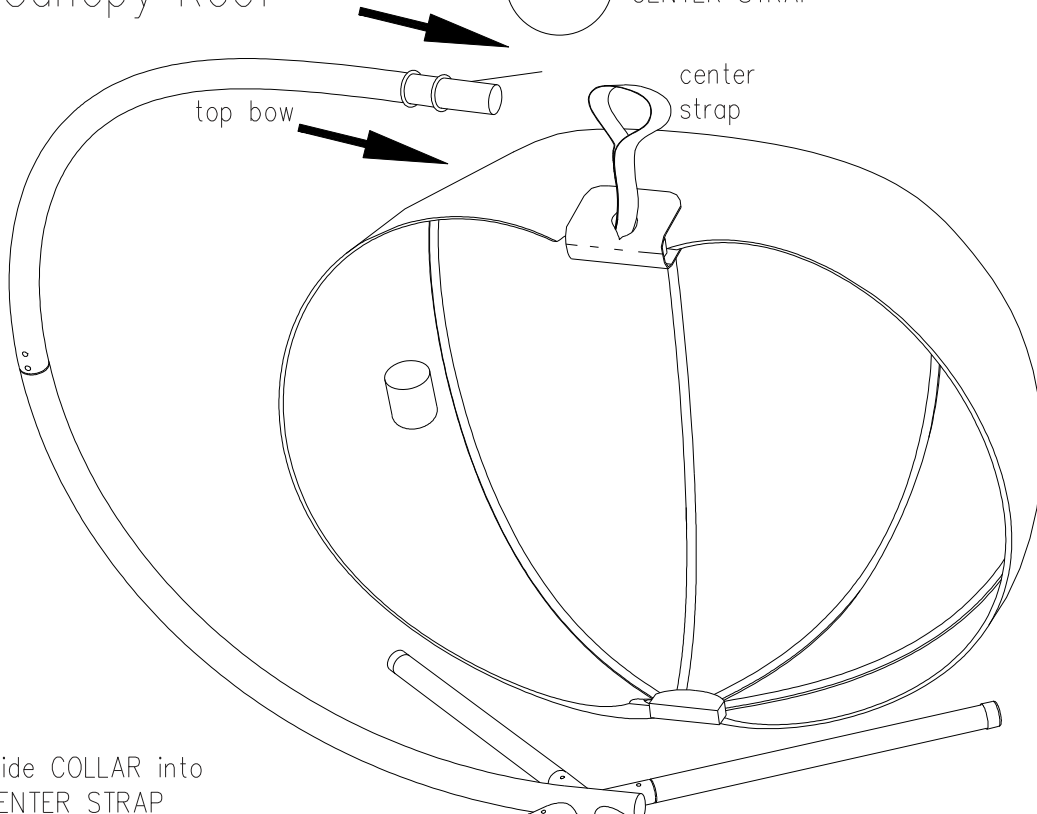
Thread short end through FLAP and affix HOOKS to SMALL RINGS under canopy



11.

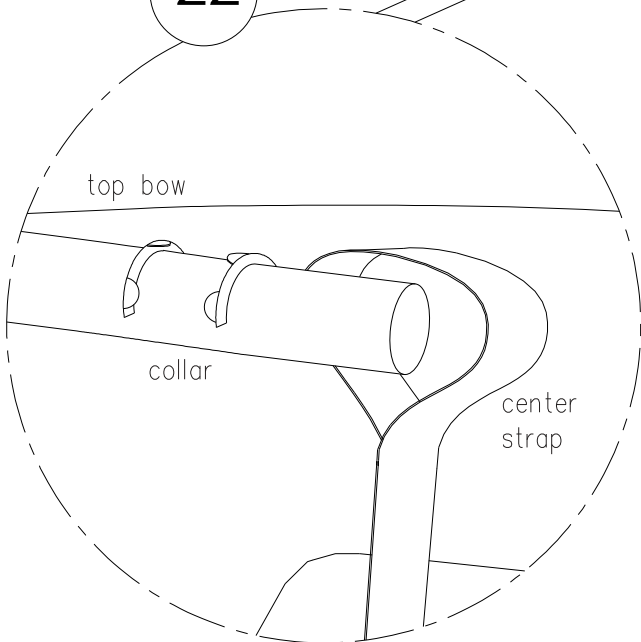
ASSEMBLY (cont.)
Canopy Roof

21 Position TOP BOW near
CENTER STRAP



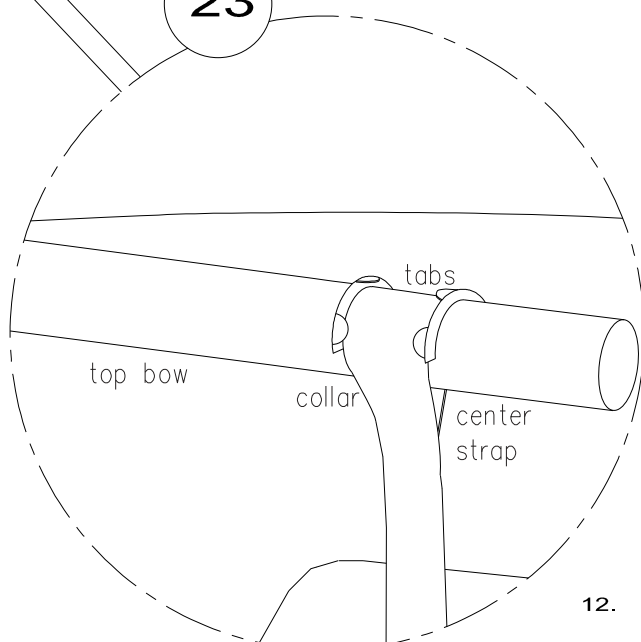
Slide COLLAR into
CENTER STRAP

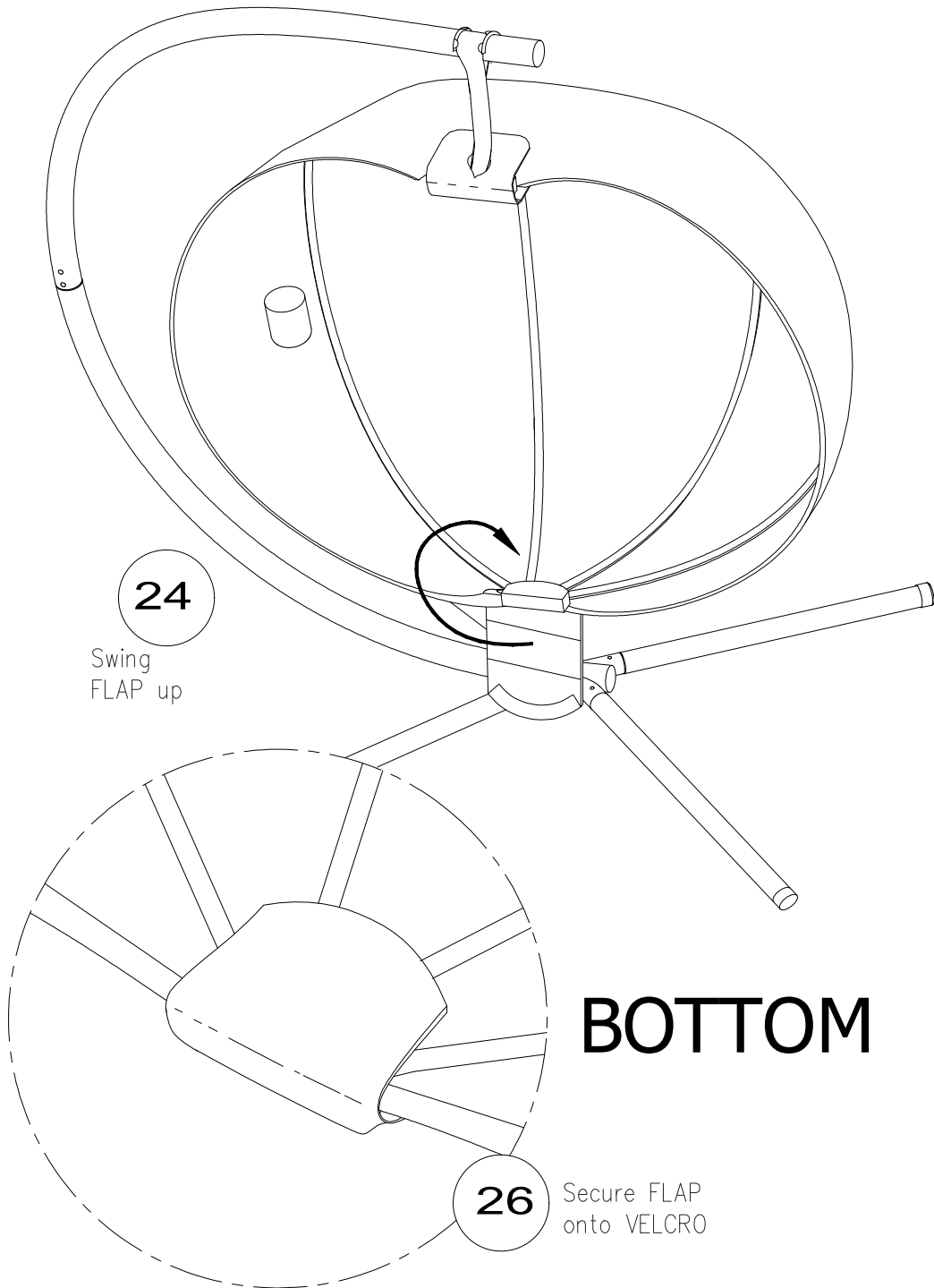
22

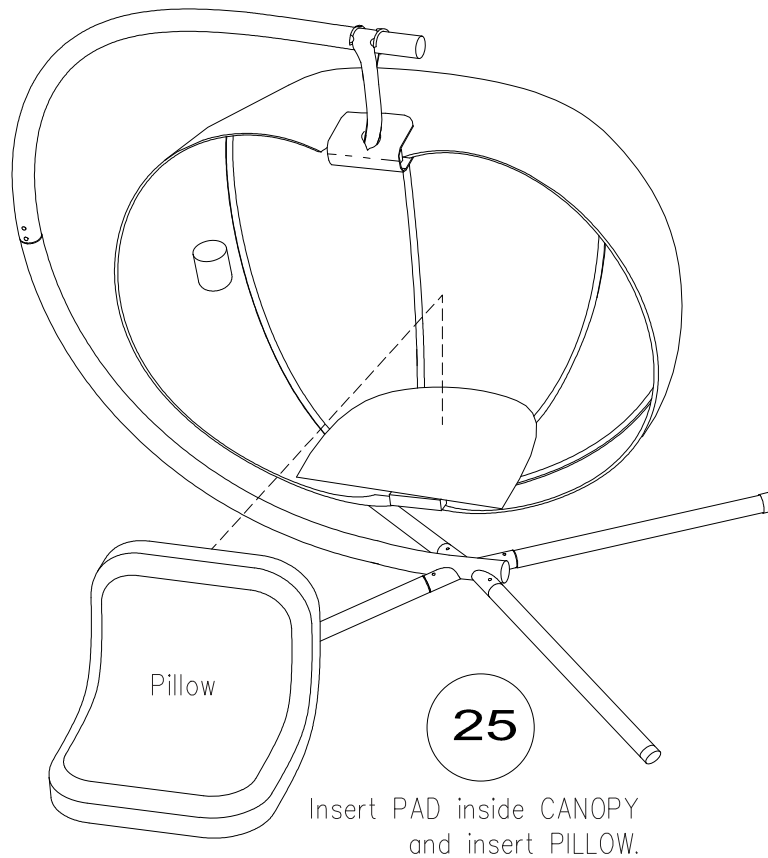


23

Be sure CENTER STRAP
is under COLLAR tabs







ROUTINE MAINTENANCE

Check to see that all nuts and bolts are tight – tighten if loose.

DISCLAIMER

This Manual relates solely and exclusively to the Hanging Egg Patio Chairs including but not limited to the operation thereof. Failure to adhere to this manual or to properly focus on the operation of the Hanging Egg Patio Chair can result in death, serious injury and property damage. Always operate the Hanging Egg Patio Chair in a safe manner and in full compliance with this manual. **It** is not liable for any injuries or damages to any operators, property or bystanders incurred as a result of using the Hanging Egg Patio Chairs by its customers. also cannot be held liable for any and all errors in this manual or for any incidental or consequential damages that result for the use of the material presented in this manual. This manual contains proprietary information belonging solely and exclusively All rights are reserved. No part of this manual may be photocopied, reproduced or translated to another language without the written consent.