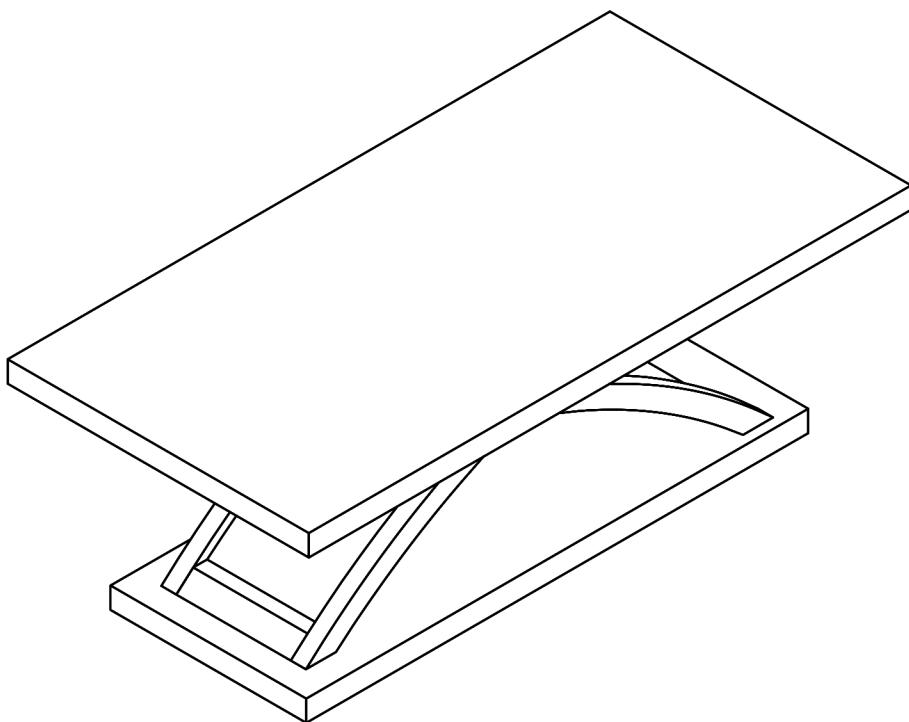
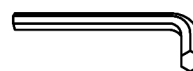


ASSEMBLY INSTRUCTIONS



TOOLS REQUIRED



Allen Wrench

(Included)



**Philips
Screwdriver**

(Not Included)



**2 - Persons
Recommended**

ASSEMBLY RATING



EASY —————> DIFFICULT

The Assembly Rating is a 5-point system showing the level of effort needed to assemble a specific product.



CHECK BEFORE STARTING

Are you missing anything?

Double-check all parts, hardware and accessories listed on Page 6 are accounted for.

Check out our Quick Tips!

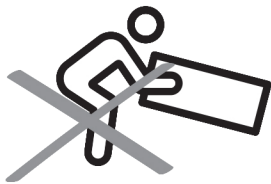
We recommend reviewing the pre-assembly handouts. Even experts need a refresher now and then!

Prep Time!

Please review the assembly instructions and all diagrams prior to assembling. Arrange parts as recommended on Page 7 and group identical hardware together to make assembling easier.

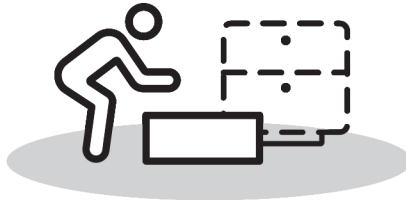
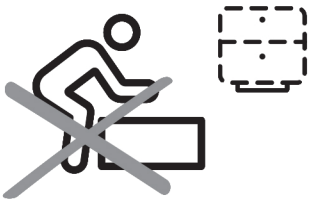
PRE ASSEMBLY INTRODUCTION

We understand building ready-to-assemble furniture can be a challenging experience for some. To help avoid confusion, we have provided some helpful tips that may speed up the process.



Teamwork

ALWAYS have at least two people to help with transporting and assembling the product to avoid potential injury and/or damage.



Suitable Location

Assembling near the area of the intended location is highly recommended.



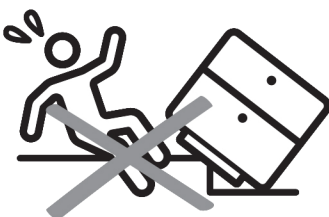
Sufficient Space

Make sure you have enough space to move around during the assembly.



Avoid Scratches

Use cardboard, blankets or a carpeted area while assembling furniture to prevent scratches.



Flat Surface

Make sure the furniture rests on a flat and level surface with each leg evenly touching the floor.

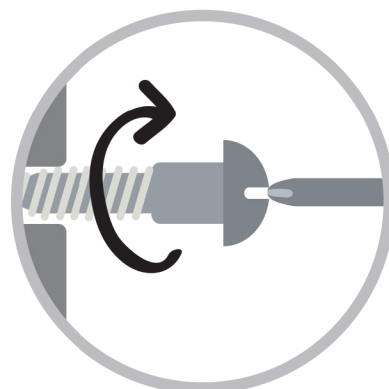
ASSEMBLY AND CARE ADVICE



**FAILURE TO FOLLOW THE GUIDELINES BELOW MAY
RESULT IN INJURY AND/OR PROPERTY DAMAGE.**



Position each part correctly
and insert screws or bolts into
their respective holes.



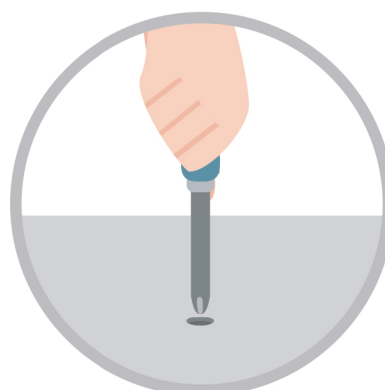
Turn clockwise to tighten and
only tighten when step is
completed or when instructed
to do so.



Use the appropriate hand tools
or power tools for assembly.
Select steps, such as tightening
screws and/or bolts, may require
hand tools to avoid causing
damage during assembly.



Save the instructions and store
any supplied tools for later
maintenance.



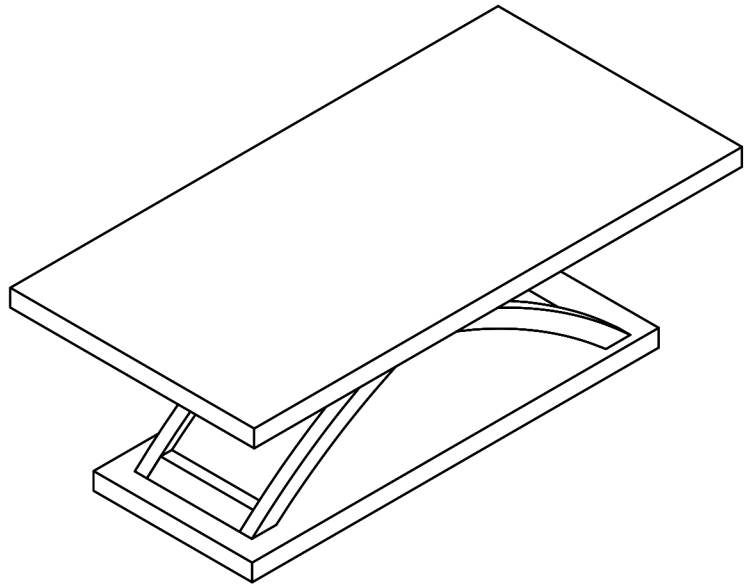
After two weeks, check and
tighten any loose hardware and
repeat again every six months
thereafter.

IT IS THE USER'S RESPONSIBILITY TO MAINTAIN THE FURNITURE. THE HARDWARE MAY LOOSEN OVER TIME AND MAY CAUSE THE FURNITURE TO BE WOBBLY AND UNABLE TO SUPPORT ITS INTENDED WEIGHT CAPACITY. THIS MAY LEAD TO COLLAPSE AND MAY CAUSE SERIOUS INJURY.

COFFEE TABLE

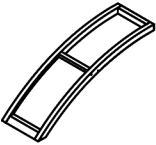


- Please keep instructions for future reference.
- Check the quantity and irregularity of parts and hardware before you start.



PARTS

#1 1pc



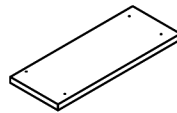
Inside cross leg

#2 1pc



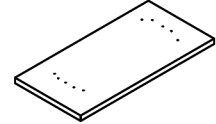
Outside cross leg

#3 1pc



Base

#4 1pc



Top Panel

HARDWARE

#A 6pcs



Flat head screw $\varnothing 6 \times 35$

#B 4pcs



Sticker $\varnothing 20$

#C 4pcs



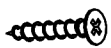
Washer $\varnothing 17 \times 2$

#D 6pcs



Dowel $\varnothing 8 \times 25$

#E 4pcs



Self-Tapping Screw $\varnothing 4 \times 50$

#F 4pcs



Wood screw $\varnothing 7 \times 58$

#G 1pc



Glue

#H 4pcs

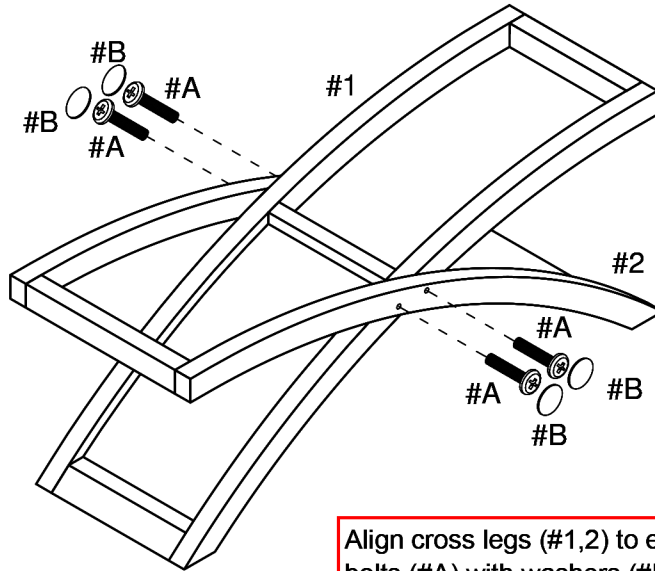


Foot Tack

ASSEMBLY INSTRUCTIONS

1

- Part #1 x1pc
- Part #2 x1pc
- Hardware #A x4pcs
- Hardware #B x8pcs

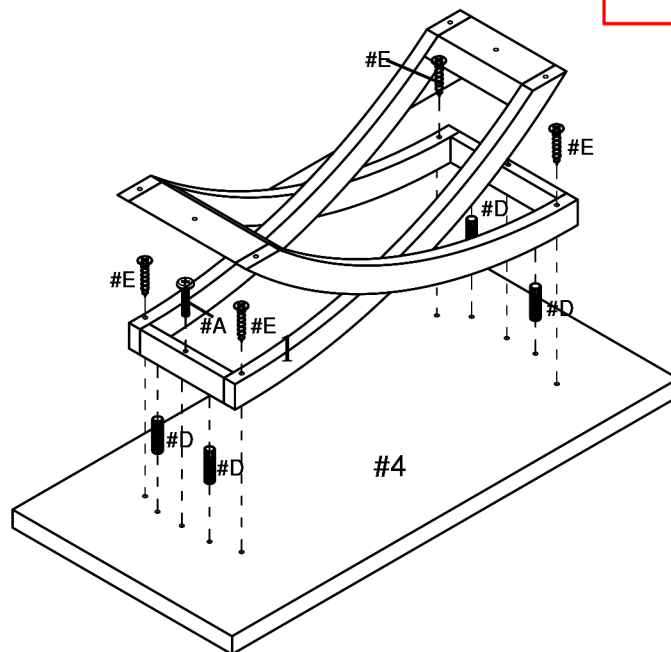


Align cross legs (#1,2) to each other, then secure by using bolts (#A) with washers (#B).

Tip: Place parts on the flat level surface to ease alignment and assemble.

2

- Part #4 x1pc
- Hardware #A x2pcs
- Hardware #D x4pcs
- Hardware #E x4pcs



Insert dowels (#D) to top (#4), then align cross legs to the top (#4). Secure by using bolts (#A) with screws (#E).

ASSEMBLY INSTRUCTIONS

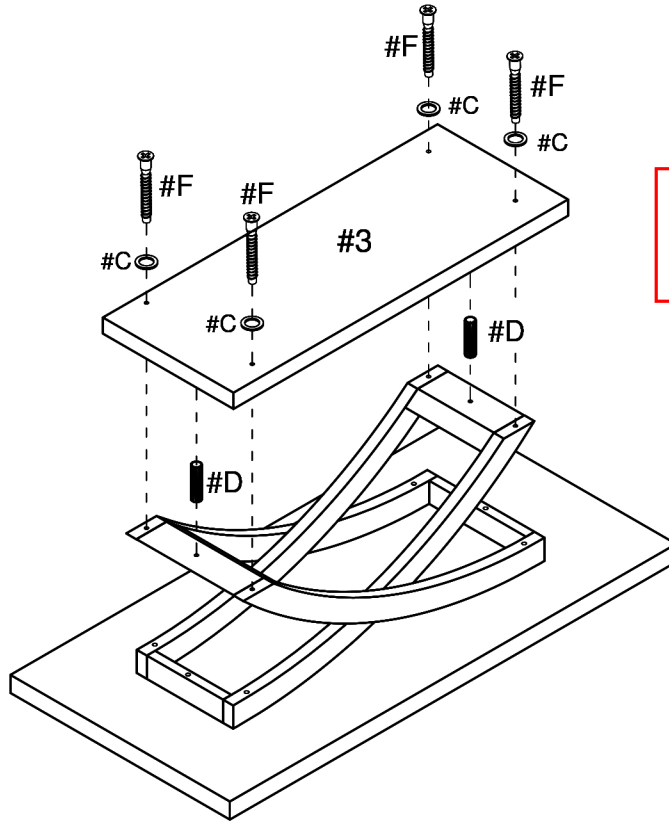
3

Part #3 x1pc

Hardware #C x4pcs

Hardware #D x2pcs

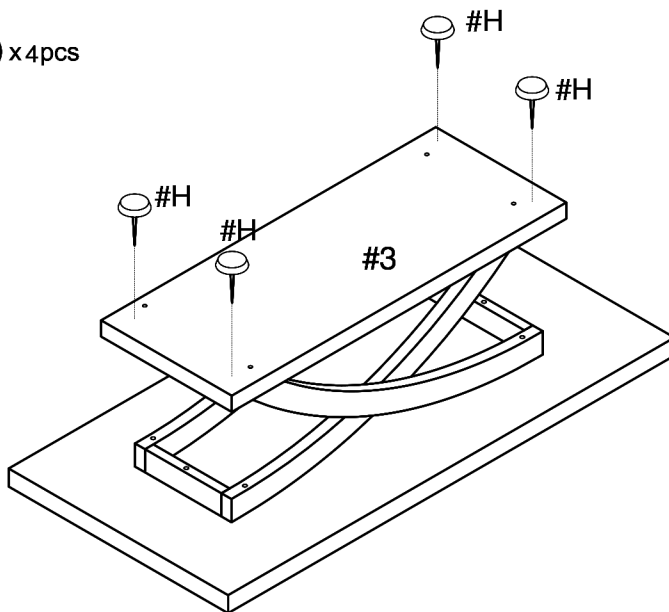
Hardware #F x4pcs



Insert dowels (#D) to cross legs. Align base (#3) to cross legs, then secure by using bolts (#F) with washers (#C).

4

Hardware #H x4pcs



Hammer the floor protectors (#H) to the base (#3).

ASSEMBLY COMPLETED



Please ensure the furniture rests on an even and flat surface. If the product wobbles or feels loose, double-check all bolts and/or screws are properly tightened and secured.



Keep this handy!

Please retain this instruction manual and any order-related information for future reference.

Tip: Utilize the soft Styrofoam sheet from the packaging or any smooth soft blanket under the product to prevent scratches.