

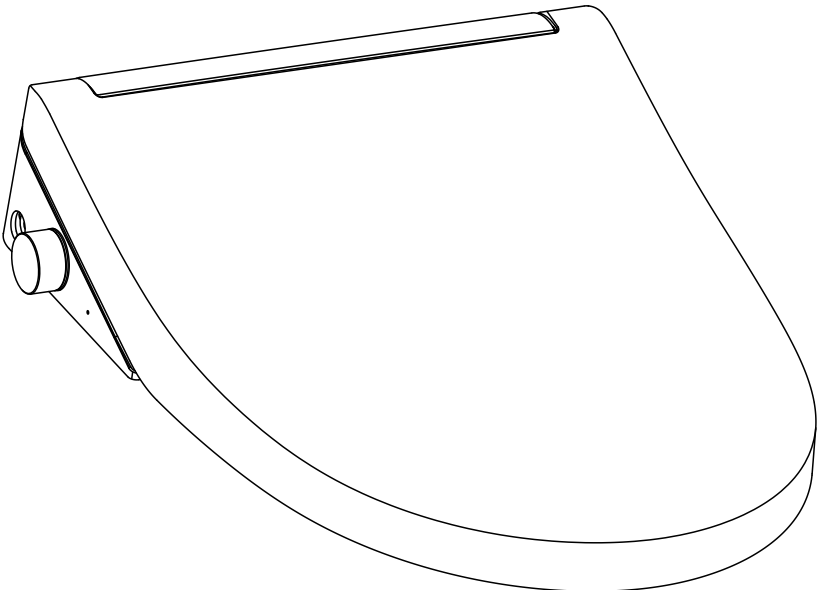
Smart Toilet Seat Manual

Model

Thanks for choosing our product

And please read the instructions carefully before using.

The pictures are for reference only, please refer to the actual product



Contents

Before use

Safety precautions	1
Overall sketch	6
Function introduction	7

Installation guide

Precautions before installation	8
Toilet Seat installation	8
Install the remote control holder	11

Operation

Operation introduction	12
Preparation	12
Product use	13
Troubleshooting	19
Cleaning and Maintenance	20



Appendix

Product specification	23
Packing list	24



Safety precautions



Please read the “safety precautions” carefully before use, all the precautions listed here are connected to safety. It's important and must be followed.

Sign and meaning

	Warning	Represents improper operations by ignoring the instructions may result in death or injury
	Notice	Represents improper operations by ignoring the instructions may result in body injury and property loss

The following signs are used for important safety precautions.

Sign	meaning
	It represents not allowed, “forbid”
	It represents enforced to do

 WARNING	
	<p>Please do not touch the electrical outlet with wet hand</p> <ul style="list-style-type: none"> • Or it may cause electric shock <p>Please do not pour water, hot water or detergent on the top of the toilet and electrical outlet</p> <ul style="list-style-type: none"> • Or it may cause fire, electric shock, heat or short circuit • Or it may cause injury and indoor water seepage because of the damage of product <p>Never attempt to disassemble, repair, or alter the product yourself.</p> <ul style="list-style-type: none"> • Or it may cause fire, electric shock, heat or short circuit <p>Please do not install the toilet in car, ship or any other moving object.</p> <ul style="list-style-type: none"> • Or it may cause fire, electric shock, short circuit or fault. • Or the ceramic, seat and main part will be damaged because of falling down. <p>Stop using while it breakdown</p> <p>Under the following condition, please disconnect the power supply and turn off the water angle valve</p> <ul style="list-style-type: none"> — Water leakage from pipe or inside of the product — crack or damage on the product — unusual sound or smell — Smoke — Unusual heating — Block — Fall out of the cushion <ul style="list-style-type: none"> • Continue using the toilet by ignoring the faults may result in fire, electric shock, heat, short circuit, injury and indoor water seepage



WARNING



Please don't use seawater and other water except tap water or drinkable well water(underground water)

- Or it may cause skin inflammation or fault

Please do not touch the electrical plug while thunder

- Or it may cause electric shock

Please do not let the water inlet soft pipe connect to the electrical plug and outlet

- Or it may cause fire, electric shock, heat, short circuit because of moisture condensation

Please do not destroy power cable or plug

Does not strike, yank, twist, excessively bend, damage, or alter the electrical cords. Also, do not place anything heavy on, bind or pinch the cords.

- Or it may cause fire, electric shock, heat and short circuit if it's broken

Please do not use a loose or faulty electrical outlet.

- Or it may cause fire or short circuit.

Please use the electrical outlet and wire appliance in specified area.

- Or it may cause fire because of wire appliance is not in the rule of outlet.

Please do not put finger or anything else into the warm air outlet.

Please do not put objects or clothes on the air outlet or cover it.

- Or it may cause scald, electric shock or accessories burn down.

Please keep cigarettes and other open flames away from the product

- Or it may cause fire.



Pay attention to the low temp scalding

- Improper use of warm seat may cause low temp scalding.

If you sit for long time, please turn the temp setting to "off" level.

Please turn the seat temp setting to "off" level, warm air dry temp to "low" level under following situations.

- Children and elders those who can not adjust the temp to the proper level
- Patient and disabled people those who have problem in behavior.
- People who have take medicine with hypnosis effect(hypnotics, cold cure and etc), or are excessive drinking, too tired and somnolence.

This is an electrical product, please do not install it in a place where is easily get wet or with high humidity. If installed in bathroom, please also install ventilator to maintain the bathroom ventilation.

- Or it may cause fire or electric shock.

The product must be connected to cold water supply.

- Or it may cause body burn or machine fault.

The product must be connected to the ground correctly.

- If not connected to the ground, it may cause electric shock.

The ground processing here requires the ground resistance under 100Ω, the earth wire of switchboard is over Ø1.5mm, with copper material. (please entrust installation company to do the job)



WARNING

Please confirm if the electrical outlet is connected to the ground

- Or it may cause electric shock because of fault or short circuit.

The outlet for power wire should obey the following rules.

- Or it may cause fire or electric shock.
 - a. Please use high sensibility and fast respond leakage switch (rated induced currents below 15mA) or insulating transformer (1.5kVA~3kVA) to protect outlet loop.
 - b. Please reserved the installation place for outlet and keep it away form bathtub.
- * Please confirm above a , b wiring projects are finished. Or please entrust the engineering contractor to do this job.

The electrical plug should be inserted to the outlet firmly.

- Or it may cause fire, heat or short circuit.

Please hold the plug not the wire when pulling out the plug.

Please do not grasp the wire to pull out the plug.

- Or it may cause fire or heat because of broken wire.

If the power soft wire is broken, to avoid danger, please ask the maintenance department of company or similar departments to replace it.

Please be sure to turn off the power while doing the maintenance or spot check.

- Or it may cause electric shock or accessories burn down.
- * Not include “ nozzle clean”

Disabled people or who is lack of experience or common sense (including children) should be accompanied with personnel guardian while using this product.

- Or it may cause scald, electric shock, fire and body injury.

Please do not let children play this product.

- Or it may cause scald, electric shock, fire and body injury.

Do not throw lighted cigarettes and other flaming material into the toilet.

- Or it may cause fire.

Strong magnets inside, the body is equipped with a pacemaker and other auxiliary medical equipment, please do not use.





NOTICE

Please do not use the product when it's loose.

- Or the toilet and seat may separate and fall off to cause body injury

Please do not touch broken area.

- Or it may cause injury, please replace it as soon as possible.

Please do not impact forcefully, put heavy subject or stand on the product

- Or it may cause product damage, fall down or body injury
- Or it may cause body injury or indoor water seepage

Please do not pull the product by holding the seat or cover.

Please do not open the seat and cover when something on the product.

- Or the main body may fall off to cause body injury.

Please use kitchen detergent(neutral) to maintain the plastic part(seat cover, etc) and water inlet soft hose, please do not use the following materials [bathroom detergent, house detergent, gasoline, banana oil, cleaning powder and nylon brush and so on]

- Or it may damage the plastic parts, cause cracks to body injury for fault
- Or it may cause water leakage because of damaged soft hose

To avoid sudden water leakage, please do not remove the water inlet filter when angle valve is open

[please refer to cleaning instruction of water inlet filter]

- Or the water may spray out

Please do not crush or bend water inlet hose

- Or it may cause water leakage

Please use the new hose that put inside the accessory box, the old one isn't recycled.

- Or it may cause water leakage

Please do not pour hot water into toilet

- Or it may cause body injury or indoor water seepage because of toilet damage

Please do not flush with big amount of toilet paper or other subjects except sewage and small amount toilet paper.

- Or it may cause body injury or indoor water seepage because of toilet damage

Please do not lean on the toilet cover while using

- Or it may destroy the seat cover.





NOTICE

Please close the angle valve when water leaking

When room temp is under 0°C, to avoid piping or soft hose damaging because of frozen, anti freezing measures should be adopted.

- It may destroy main body or piping, leading to water leakage if water inlet soft hose is frozen.
- To avoid damage, please pay attention to room temp adjustment.

When not use for a long time, please must drain the inlet soft hose, and cut the power.

- When using next time, please open the angle valve and let water connected first. or it may cause skin inflammation because of bad water quality.
- It may cause fire or heat if the power supply is always connected.

Please must confirm if the filter has screwed to right position when install it.

- It may cause water leakage if not screwed tight.

When the toilet drain outlet is blocked, cut off the power then clean the obstruction

- Or the sewage may overflow, cause indoor water seepage because of auto flush function.
- Use the professional tools sold in the market to clean the obstruction.

Flush the toilet after pee

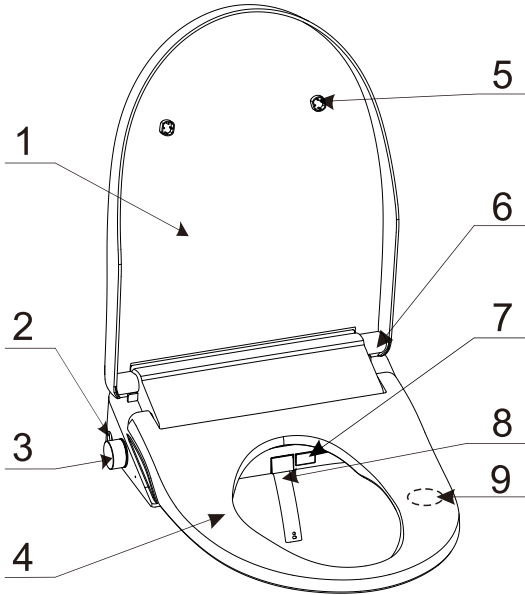
- Or it may cause difficulty in clean the toilet, block the drain outlet or sewage overflow, result in indoor water seepage.

Use the dried towel to clean the pee, dee, detergent, water and etc on the floor.

- Or it may leave dirt on the floor or corrode the floor.

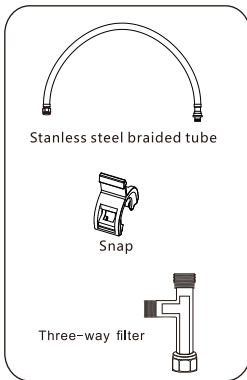


Overall Sketch

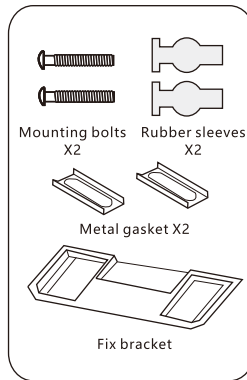


1	Toilet lid
2	Water inlet
3	Knob
4	Heated seat
5	Cushion pad
6	Damper
7	Dryer outlet
8	Nozzle
9	Sensing area

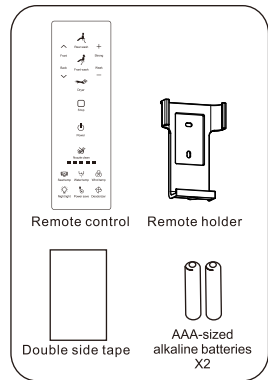
Install components



Waterway connection accessories



Seat fixing accessories



Remote control

NOTICE

The contents described in this manual include but are not limited to product material, process, functional characteristics, etc., which may be different from the actual product due to process improvement or product upgrade. Please refer to the actual product.

Functions introductions

Function	Introduction
Rear wash	Provide rear cleansing
Rear oscillating Wash	Move the hole back and forth for rear cleansing
Front wash	Provide cleansing by front cleansing hole with a gentle spray
Front oscillating Wash	Move the hole back and forth with a gentle spray
Nozzle position adjustment	Adjust the suitable washing positions
Temperature adjustment	Set the temperature of seat and water
Water pressure adjustment	Change cleaning water pressure
Seat sensor	When the human skin touches the seat ring sensor, the machine beeps as respond and work.
Drying	Dry the users after cleansing
Changing drying intensity	Control the temperature of warm air from the dryer
Nozzle self-clean	Provide nozzle self-cleaning before washing
Saving energy	Saves electricity
Night light	Preparations for insufficient light
soft close	Damper in the seat and cover, to make it close softly
Power switch	Turn power on and off
Smart remote control	Use the remote control to set up and control the toilet
UV sterilization *	Automatically activate after the human body left the seat
Deodorizer	Removing odors

*Remark: Function is different depending on the model configuration

Installation guide

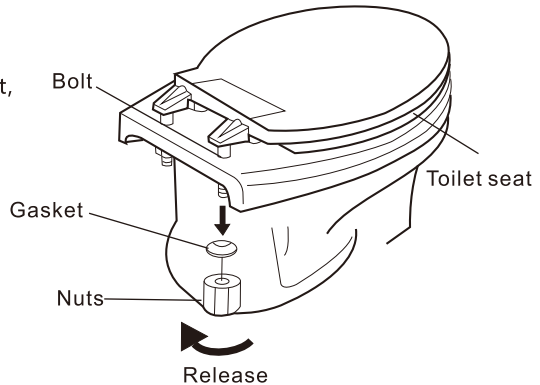
※ Precautions before installation

- 1、 Before installation, toilet wall, floor tile, ceramic toilet has been completed, bathroom should supply water and power socket near by toilet.
- 2、 Water pressure should be between 0.06Mpa(flow)-0.75MPa (Static),water temperature 5℃-35℃.
- 3、 In case of the remain water within frozen,please put the product in a warm place wait to thaw then install it.
- 4、 Connect daily-use water pipe only.
Do not connect to recycled water or industrial water supplies.
Due to possible contamination as this would cause jamming or internal damage.
- 5、 Don' t put the power plug into the socket before finishing installation.

◆ Toilet Seat installation ◆

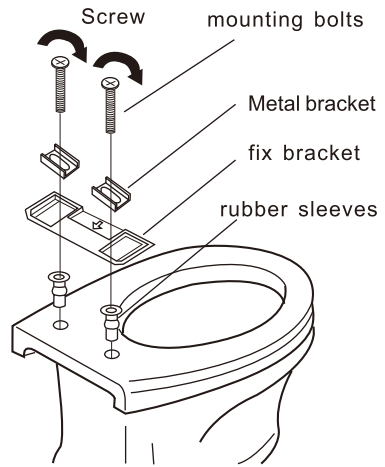
※ Remove original toilet seat

- 1.Wrench loosen bolt
- 2.Remove the nut and gasket,
remove the toilet seat



※ Install fix bracket

1. Before the installation, please put the product on the toilet bowl to check the fitness.
2. Embed and install the rubber sleeve, fix bracket, metal bracket in the picture shown, insert the mounting bolt and tighten it so that the fix bracket cannot move.
3. If the product does not match the toilet bowl ideally, please loosen the mounting bolts, take the metal gasket out, readjust the position of the fix bracket, then insert the metal gasket and tighten the bolt.

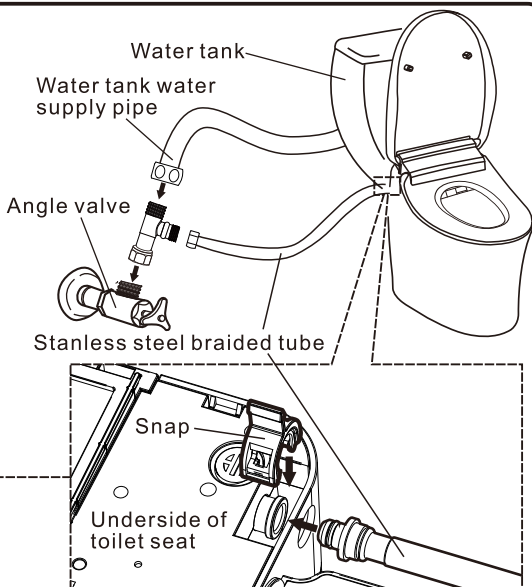


※ The fix bracket can adjust the range within 120-180mm

※ Water inlet installation

Connect the water tank water supply pipe and stainless steel braided tube as shown on the right.

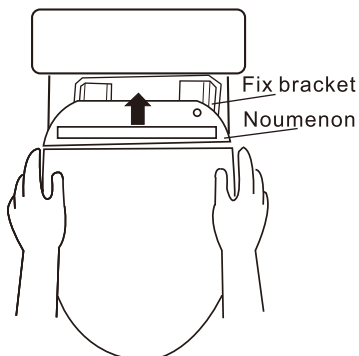
After the connection is completed, please open the angle valve to check whether there is any water leakage at each water connection.



Schematic diagram of the connection between the toilet seat and stainless steel braided tube

※ Install bidet

Aim the bottom card slot of the seat to the edge of fixed bracket, slide in gently, as you hear 'ka' sound means well installed

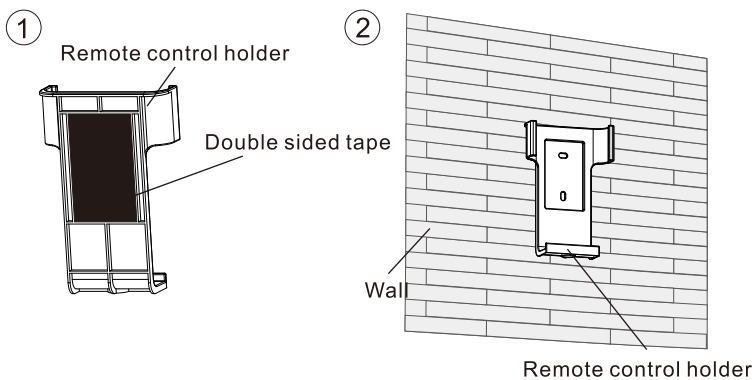


※ Notice: please don't forget the power cable between the toilet and bidet.

Be sure the bidet fixed as complete then lift bidet to fit it on correct position.

◆ Install the remote control holder ◆

■ Please see below picture



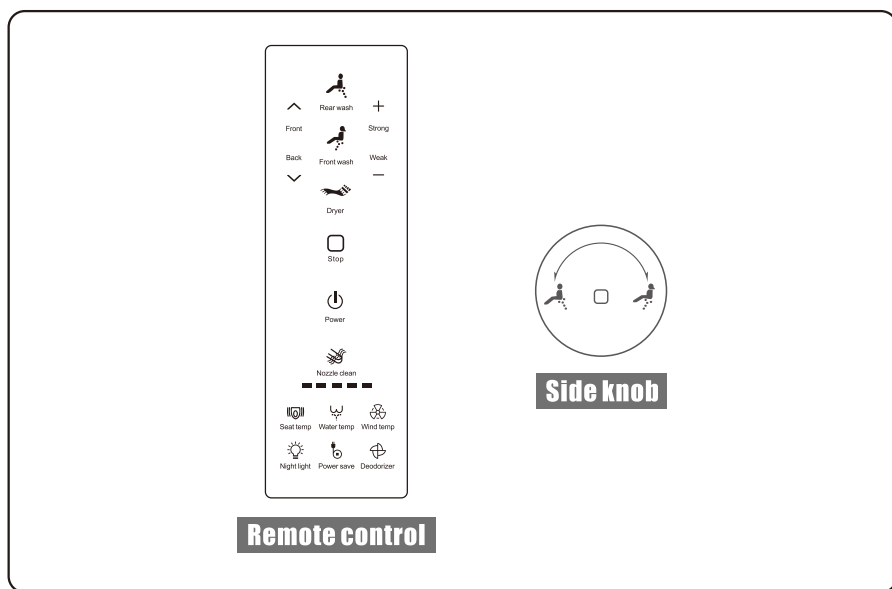
Paste the tape on the backside of remote control, fasten the remote control holder to the wall

Notice: clean the installation position before pasting and press the tape down fully and evenly when positioning. While after pasting, do not touch the holder within 15 minutes

Operation

◆ Operation introduction

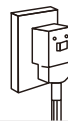
- ※ The design of this product is mainly controlled by remote control, and the side buttons control of the product is supplemented.
- ※ The following just shows function introduction.



◆ Preparation

1. Open the water-inlet valve.

2. Ensure the plug is inserted into socket and the indicator light is on.



3. Verify that the side knob light of the product is on.

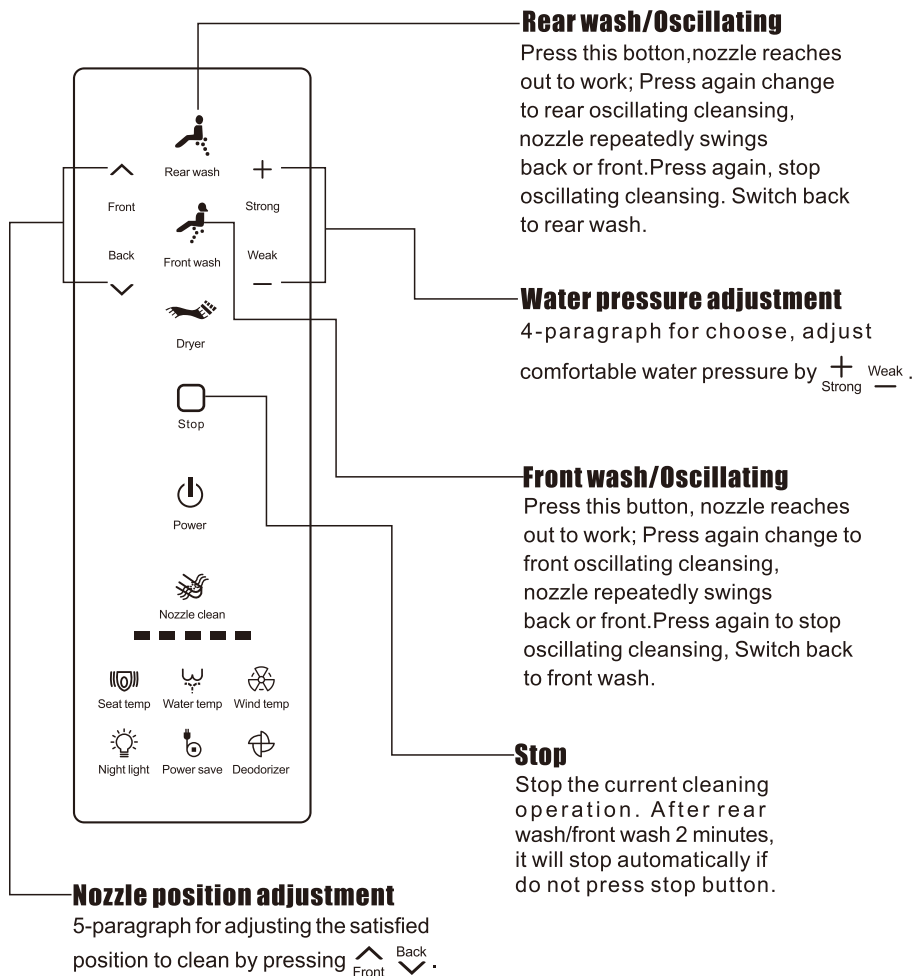
4. If the knob light of the product is not on, all functions cannot be used, please press the knob.

◆ How to use

Sit on the seat

Seated-sensor activated

The deodorization function runs automatically when the deodorization function is turned on. Functions such as rear wash/front wash/dry must be seated to use.



Rear wash/Oscillating

Press this button, nozzle reaches out to work; Press again change to rear oscillating cleansing, nozzle repeatedly swings back or front. Press again, stop oscillating cleansing. Switch back to rear wash.

Water pressure adjustment

4-paragraph for choose, adjust comfortable water pressure by $\begin{matrix} + & \text{Weak} \\ \text{Strong} & - \end{matrix}$.

Front wash/Oscillating

Press this button, nozzle reaches out to work; Press again change to front oscillating cleansing, nozzle repeatedly swings back or front. Press again to stop oscillating cleansing, Switch back to front wash.

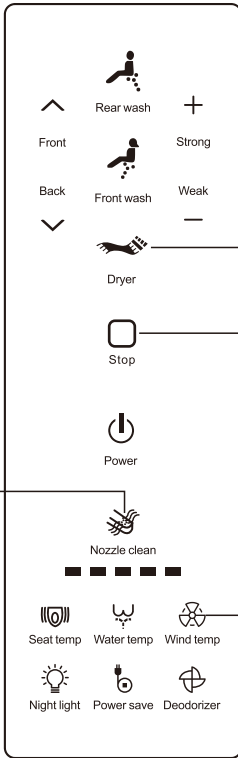
Stop

Stop the current cleaning operation. After rear wash/front wash 2 minutes, it will stop automatically if do not press stop button.

Nozzle position adjustment

5-paragraph for adjusting the satisfied position to clean by pressing $\begin{matrix} \wedge & \text{Back} \\ \text{Front} & \vee \end{matrix}$.

Attention: In oscillating cleansing model, the position of nozzle cannot be adjusted.



Dryer

Press this button to start warm air drying.


Stop

Stop current drying operation. After dry for 4 minutes, it will stop automatically if do not press stop button.

Warm air temp adjustment

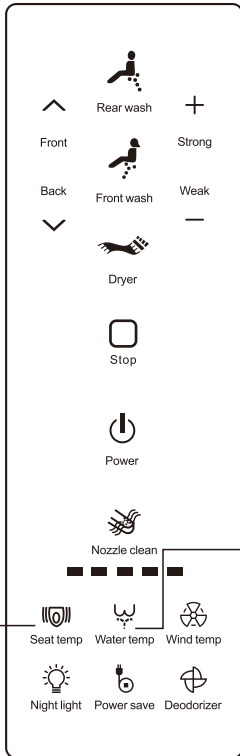
4 - paragraph for choose, adjust warm air temp by pressing this button.

Nozzle clean

Press  to enter nozzle cleaning, then water flows out and you can clean the nozzle. Press the stop button to end immediately.

*Nozzle clean Button is available when no one sits on the toilet.

*It will clean the nozzle automatically before rear cleansing and front cleansing.



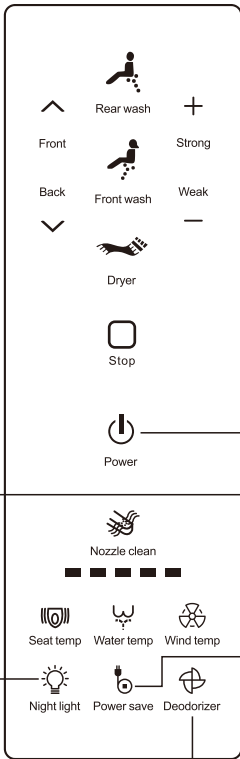
Water temp adjustment

Press this button to enter water temp adjustment. 4-paragraph for choosing, Normal temp , 1 level, 2 level, 3 level. Normal temp are not heating; 1 level is 33°C, 1 light on; 2 level is 36 °C, 3 lights on; 3 level is 39 °C, 5 lights on. With each push, water temp change to the next level.

Seat temp adjustment

Press this button to enter seat temp adjustment. 4-paragraph for choosing, Normal temp , 1 level, 2 level, 3 level. Normal temp are not heating; 1 level is 33°C, 1 light on; 2 level is 36 °C, 3 lights on; 3 level is 39 °C, 5 lights on. With each push, seat temp change to the next level.

Attention: To prevent the low temp scalding, the toilet seat will automatically lowered to below 35°C after sit on the seat for 10 minutes.



Power

Press this button to turn off the power.
Press any buttons to turn on.

Night light

Press this button to turn on/off the night light function, the No.3 indicator on the remote control turns on/off synchronously with the on/off the function.

Power saving

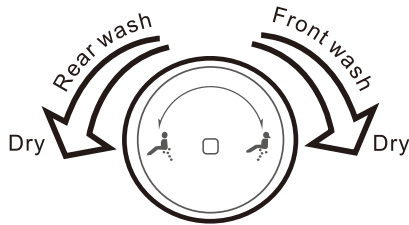
Press this button to turn on/off the power saving function, the No.4 indicator on the remote control turns on/off synchronously with the on/off the function. When the power saving function is turned on, the seat temperature will be lowered and maintained at 25°C after a person leaves the seat for 1.5 minutes.

Deodorizer

Press this button to turn on/off the deodorization function, the No.5 indicator on the remote control turns on/off synchronously with the on/off the function.

- ※Deodorization function continue working 1.5 minutes after sensing off seat, then auto stop.
- ※The deodorization function temporarily stops during drying, and starts automatically after drying.

Product side knob



Knob operation diagram

- 1) . In the off state, Knob indicator is not lit, rotate forward/backward/press and other actions will start. Product automatically enters idle mode.
- 2) . In idle and off seat mode, functions won't work if rotate forward or backward.
- 3) . When people sit on the seat, product start working, Knob rotates forward , then turn on automatic front wash function. First wash for 1minute, then warm air dry for 2 minutes; If you rotate forward again during the automatic front wash, stop front wash and turn on the warm air drying function.
- 4) . When people sit on the seat, product start working, knob rotates backwards, then turn on automatic rear wash. First wash for 1 minute, then warm air dry for 2 minutes;If you rotate backward again during the automatic rear wash, stop wash and turn on the warm air drying function.
- 5) . When people sit on the seat, the product is in the rear wash/ front wash / dry working state, press the knob then the three functions stop, enter idle mode.
- 6) . In the power on state, long press the knob for 3s to turn it off, indicator light is off.

UV sterilization *

When the human body leaves the seat for 15 seconds, the UV sterilization function will automatically works and sterilizes the nozzle for 3 minutes. Every 4 hours, it will start again.

Note: This function will be different due to different model configurations. The night light will flashes for 3 seconds when the UV sterilization starts. During the operation, do not look it directly, otherwise it may cause permanent damage to the eyes.

Remote control code matching

If one user has more than two items of the same brand smart toilet, there maybe interaction while using remote control. In this condition, using the remote control code matching function to ensure the uniqueness between the remote control and the toilet. When performing this operation, you must unplug the power of other nearby smart toilets.

1. Plug off the smart toilet power.
2. Press "weak" and "back" button at the same time, leave it until the indicator light constantly blinking
3. Plug on the smart toilet in 5 seconds.
4. Match code completed when the remote control indicator light stop blinking.

Notice: Remote control match code time is 10s, auto quit if overtime operation

Buzzer

Buzz once: Sit on seat condition, all the functions are available.

Buzz twice: Off the seat condition, parts of the functions are available.

Buzz three times or more: There are faults of the product.

Reminder

Buzzer only works when operate on remote controller or side button or initialization.

◆ Trouble shooting ◆

SITUATION	REASON	PROCESS
No power	The electrical outlet is not connect to power supply or the plug is not insert to the bottom	Check if the electrical outlet is connected to the power supply; press the reset key on the plug
No water comes out while cleaning	Low pressure of water supply	Raise the water pressure
	Water inlet filter blocked	Remount and clean the filter according to the instruction
Cleansing water in not warm enough	Water temp setting is incorrect	Readjust
Seat does not heat	Seat temp setting is incorrect or the product is in power saving mode	Readjust
Seat and cover are loose	Fixed bolts are loose	Tighten the bolts
Remote controller failure	Battery runs out	Replace battery
No response when pressing the key	Key fault	Reboot or contact ascendant
Water leakage	Shutoff valve, water supply hose and water separator are not well connected	Reconnect

Cleaning and Maintenance

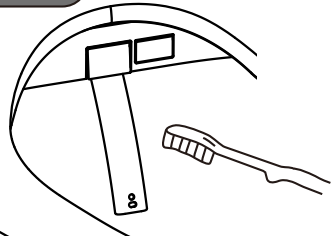
● Toilet bowl cleaning

- ◆ Please make sure the electrical plug is taken out
- ◆ Please use wettish soft cloth to wipe the toilet shelf and seat.
The dirt should be cleaned as soon as possible, if it's difficult to clean, you can use neutral detergent.

● Nozzle Cleaning and Maintenance

- ◆ Press Nozzle Clean Button, nozzle will come out and start auto wash, then you can use brush to clean it.

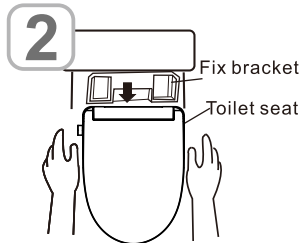
Attention:
Do not use steel brush to clean



● Machine release



Release button



When the whole machine needs to be detached, press the Release button while holding the whole machine and pull it back forcefully.

● Cleaning the filter

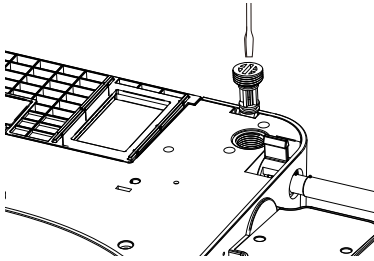
When the water pressure is too low or insufficient, please clean the filter.

1 Close the angle valve and stop water supply

Notice: Do not remove the filter without closing the angle valve.
---Otherwise water will spray out

2 Remove the filter

Remove the toilet seat from the ceramic and flip to bottom side up, and use a flat-blade screwdriver to unscrew the filter. The specific operation is shown in the following figure:

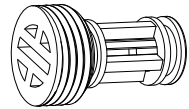


3 Clean the filter

Get the filter out and clean it thoroughly.
-----Flush off dirt or clean the filter by toothbrush

Notice: Do not use any cleaning agents.
Clean it with water only.

Do not use excessive force when cleaning, otherwise the filter will be deformed or damaged, affecting normal use.



4 Reattach the filter

Reinstall filter based on the removal sequence.

Notice: Open the shutoff valve after installation and confirm there's no water leakage.

● Replace the remote control battery

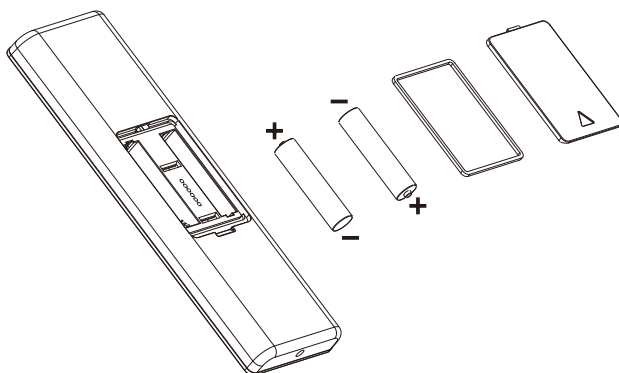
- ◆ When the battery is running out, the remote control is sometimes insensitive and sometimes out of control and you should replace the battery at this point

※ Attention:

The positive and negative poles of the battery must be placed correctly , and the compression spring protrudes from the negative pole.

New and old batteries cannot be mixed.

Please use alkaline battery.



Appendix

◆ Product specification ◆

Ambient temp range		4°C-40°C	
Inlet water temp range		5°C-35°C	
Rated voltage		<input type="checkbox"/> 220V~ 50Hz	<input type="checkbox"/> 120V~ 60Hz
Rated power		1200W	1200W
(Inlet water temp: 15°C±0.5°C)			
Power cord length		1.5m (0.85m for North America)	
Cleansing device	Water pressure range	0.06MPa-0.75MPa	
	Water pressure adjustment	Adjustable in 4 paragraph	
	Water temp adjustment	4 paragraph adjust: Room temp, 33°C, 36°C, 39°C	
	Safety device	Temp sensor control system、Dry burning-resistant protection device、over temp protection system、water and electricity isolation system	
	Rear wash	0.4-0.6 L/min(water pressure≥0.15MPa)	
	Front wash	0.4-0.65 L/min(water pressure≥0.15MPa)	
Seat heating device	Seat temp control	4 paragraph adjust: Room temp, 33°C, 36°C, 39°C	
	Seat protective system	Temperature sensing control system/ fuse	
Warm air dryer	Warm air temperature	4 paragraph adjustable: 35°C, 42°C, 48°C, 54°C (The wind temp is greatly affected by the environment, and the values are for reference only.)	
	Safety device	Temperature reset switch/fuse	
Deodorizer		Catalyst deodorant box	
Remote control		YES	

Cleaning rate test: In the seated state, the knob is turned to the rear wash for more than 3 seconds to start the wide-width cleaning mode.

◆ Packing list ◆

Dear User:

Please check whether the products are complete after you open the box of toilet.
Product packaging box containing the items are:

- 1 toilet seat
- 1 manual
- 1 Stainless steel braided tube
- 1 fix bracket
- 2 metal gasket
- 2 mounting bolts
- 2 rubber sleeves
- 1 Filter
- 1 Remote control (including remote control / bracket / double side tape /
AAA-sized alkaline batteries X2)
- 1 Snap

Warning

1. This appliance is not intended for use by persons (including children) with reduced physical, sensory or mental capabilities, or lack of experience and knowledge, unless they have been given supervision or instruction concerning use of the appliance by a person responsible for their safety.
2. Children should be supervised to ensure that they do not play with the appliance.
3. If the supply cord is damaged, it must be replaced by the manufacturer, its service agent or similarly qualified persons in order to avoid a hazard.

381ZD