




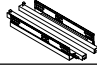
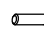
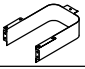


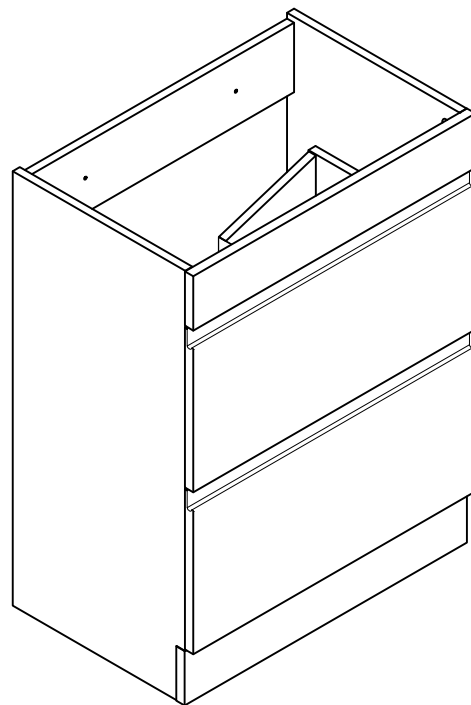
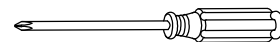
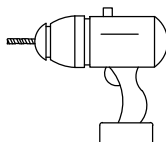
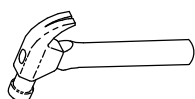
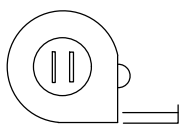
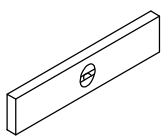
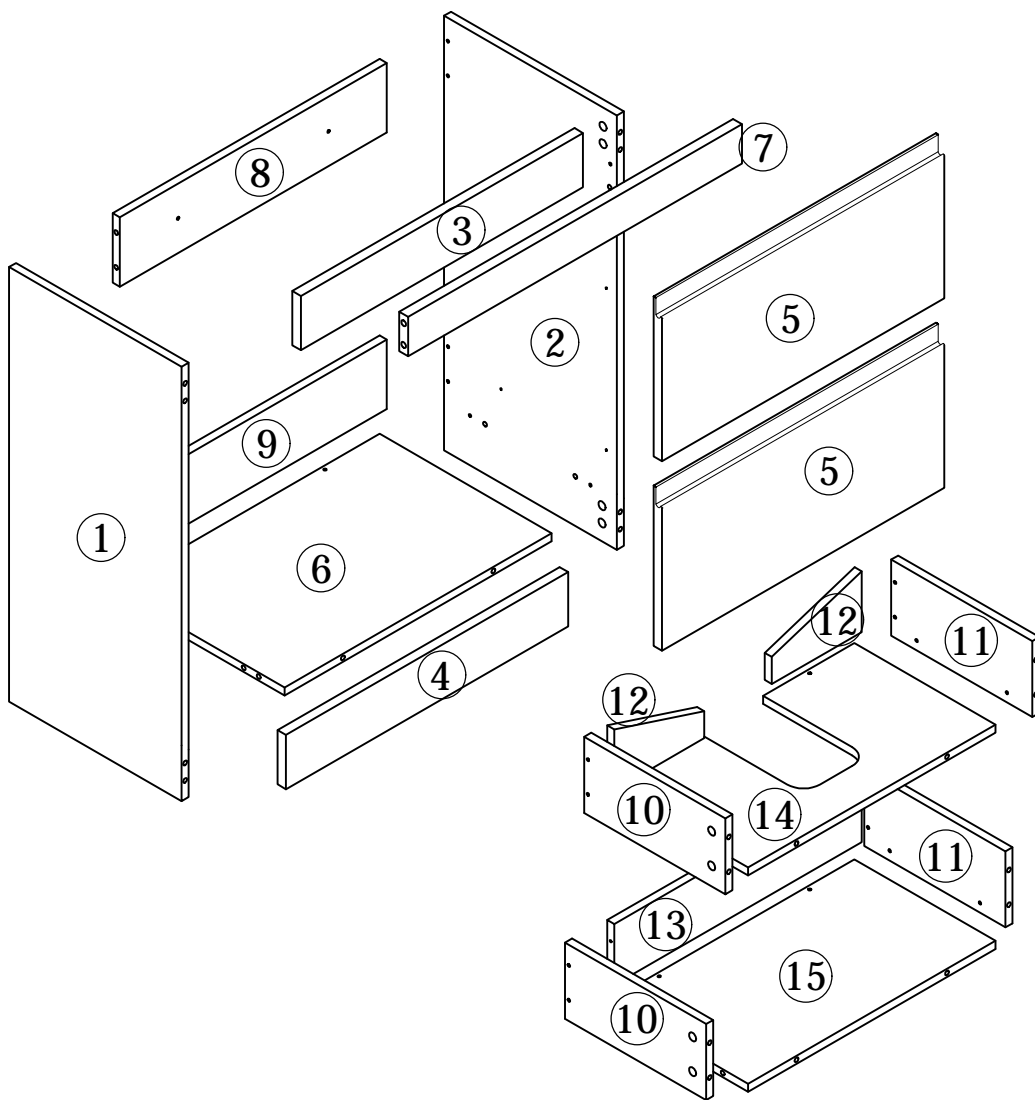


# Trent 600 FS Cabinet 2 Drawers w/ Groove handles

A		Ø15x12	46	PCS	E			2	PCS	I		Ø5x60	2	PCS
B		Ø7x35	46	PCS	F		Ø4x40	12	PCS	J			2	SET
C		Ø8x30	6	PCS	G			1	PCS	K				
D			4	PCS	H		Ø3.5x14	33	PCS	L				

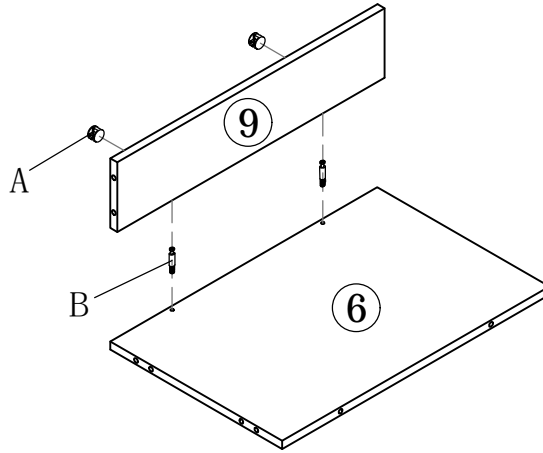




# STEP 1

Ax2

Bx2



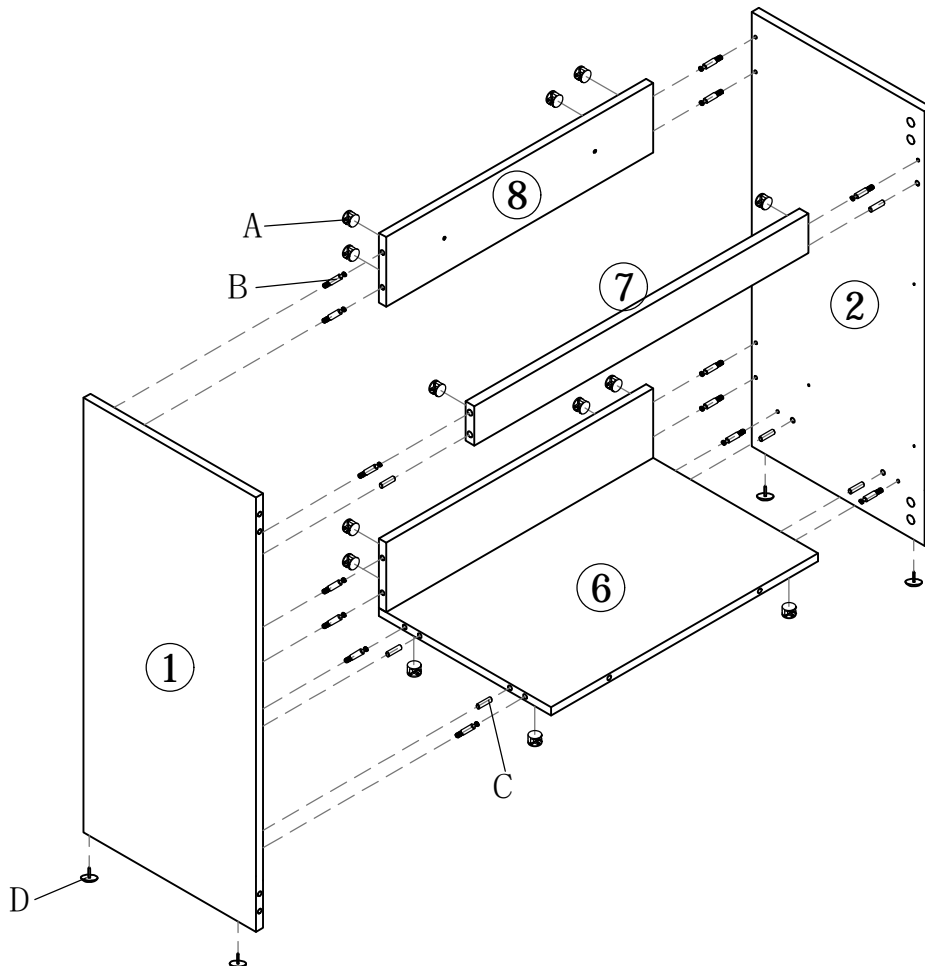
# STEP 2

Ax14

Bx14

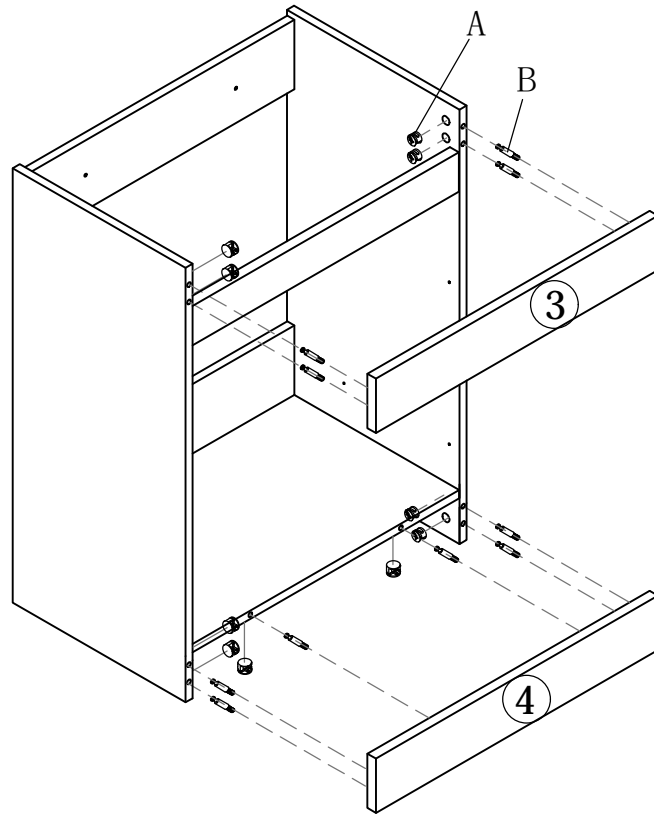
Cx6

Dx4



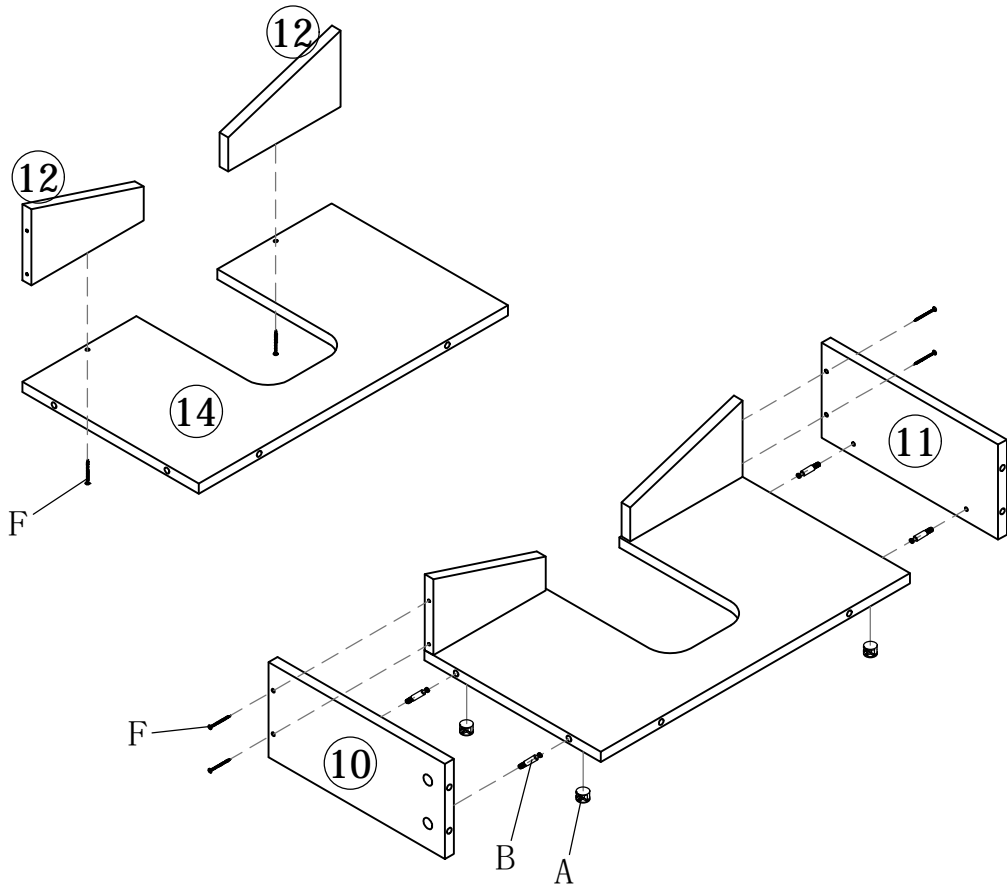
### STEP 3

Ax10  
Bx10



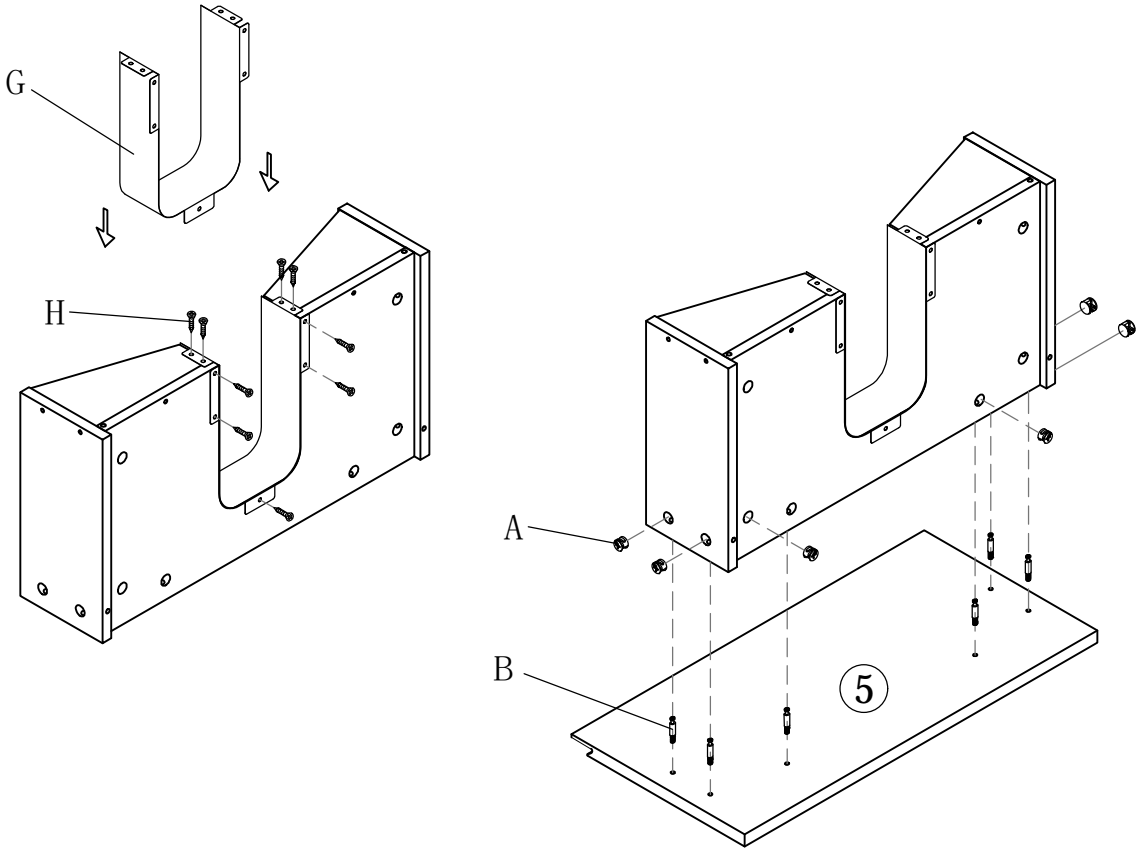
### STEP 4

Ax4  
Bx4  
Fx6



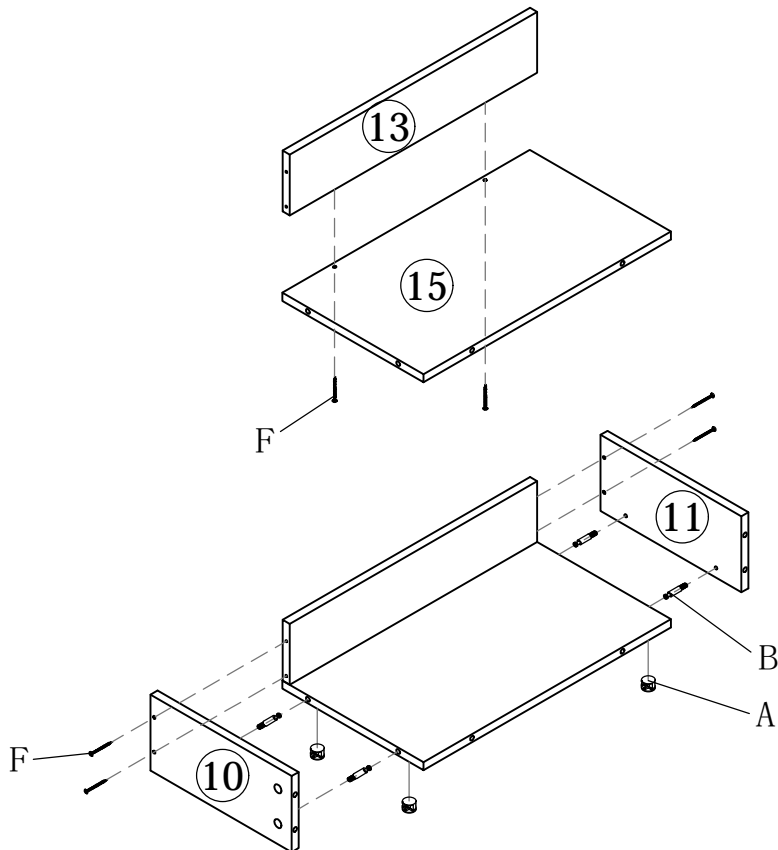
## STEP 5

Ax6  
Bx6  
Gx1  
Hx9



## STEP 6

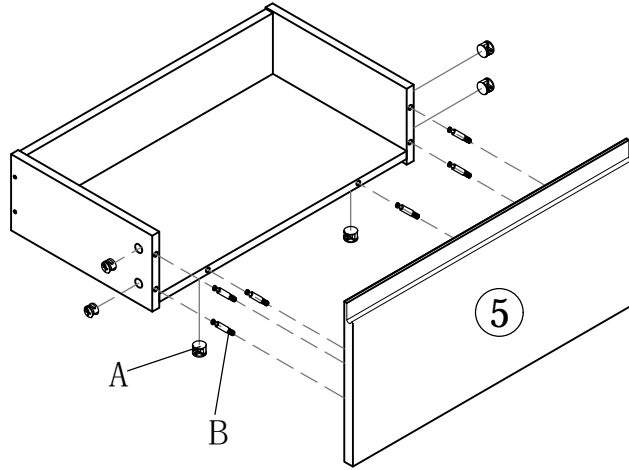
Ax4  
Bx4  
Fx6



# STEP 7

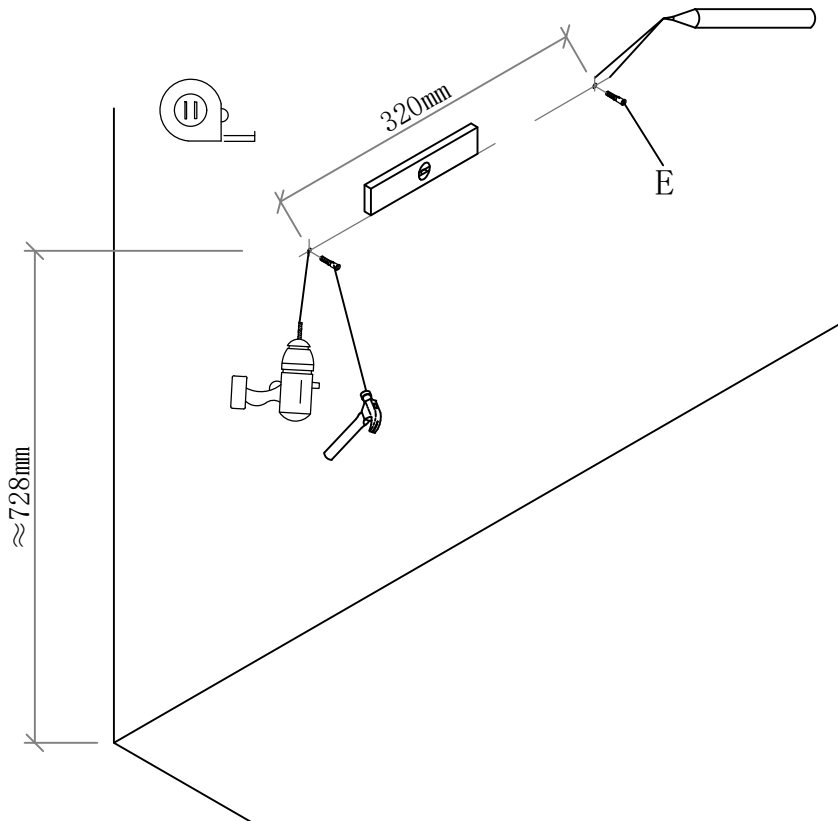
Ax6

Bx6



# STEP 8

Ex2

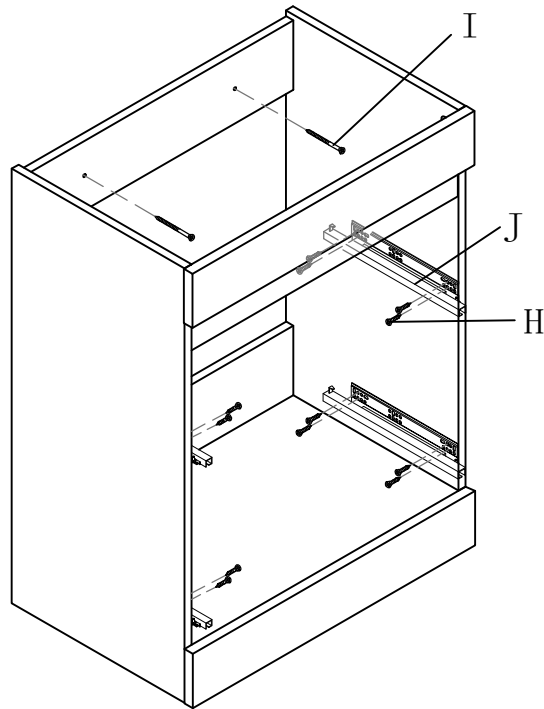


# STEP 9

Hx16

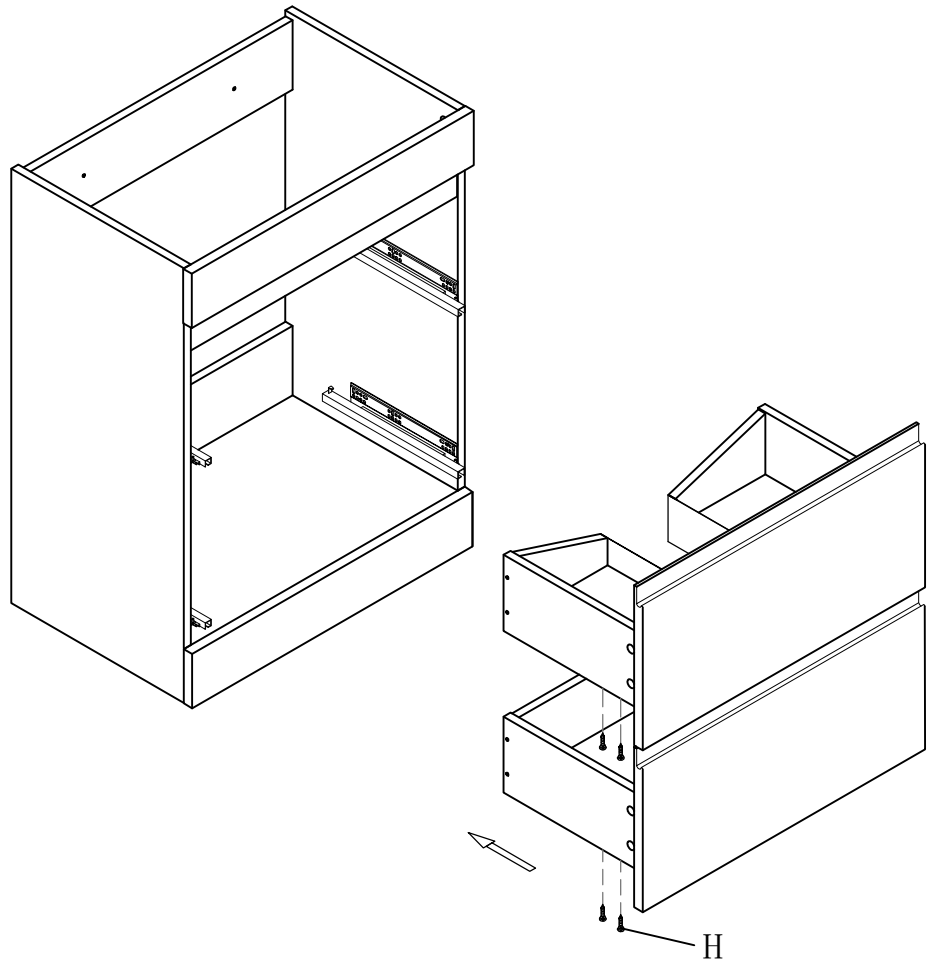
Ix2

Jx2



# STEP 10

Hx8



STEP 11

