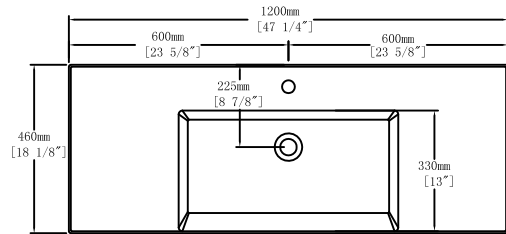
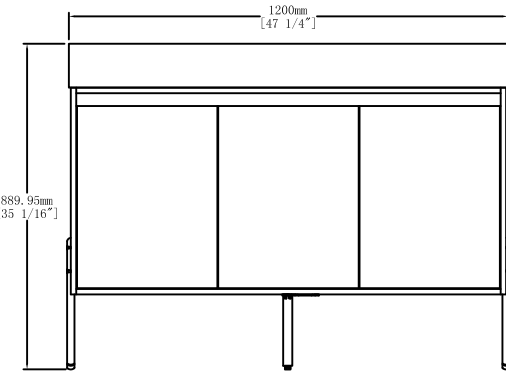


## Dimensions

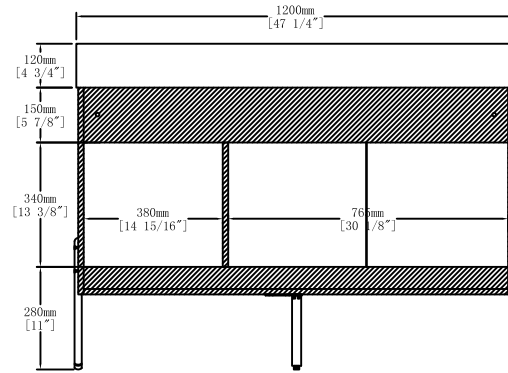


Top View

Please note: The basin is not included



Front View



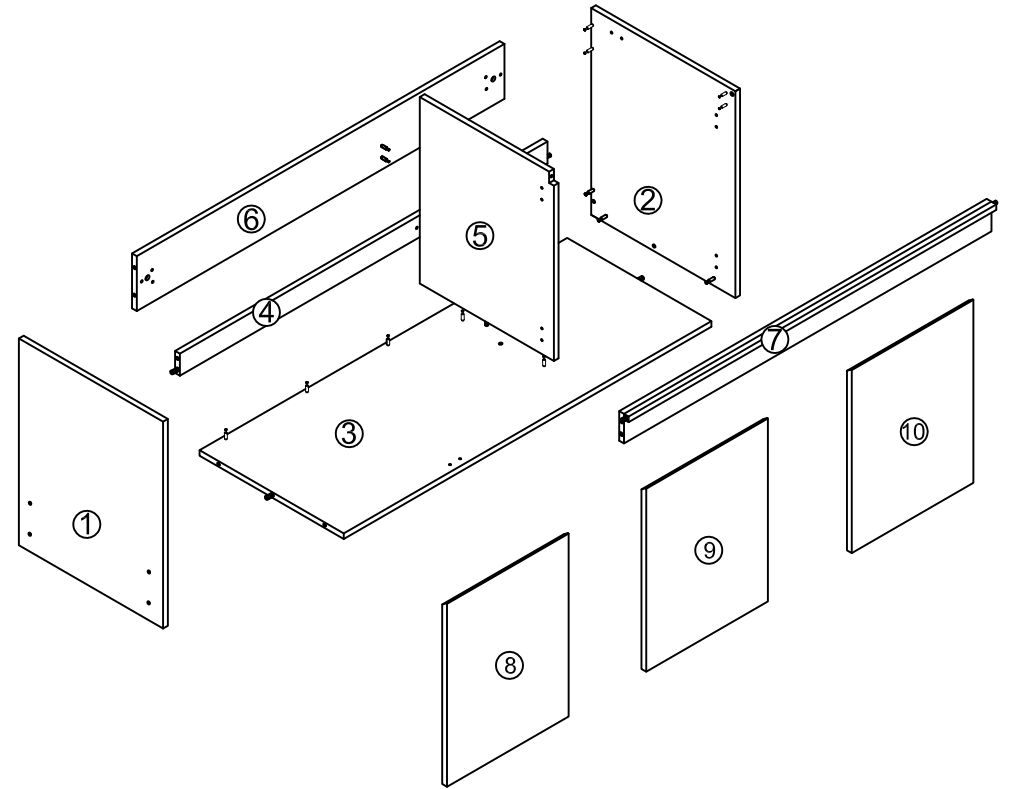
Back View

## Hardware

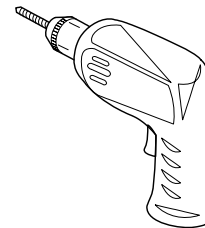
NO.	Draw	QTY
A	Screws Ø4x14mm	56
B	Two-in-one connector	24
C	Two-in-one connector	24
D	Wood plug	7
E	Plastic anchor (Ø10mm)	2
F	Screws for fix on the wall	2
G	Bracket (53x70x44mm)	2
H	Bracket (19x19x35mm)	2
I	Metal Feet	4

NO.	Draw	QTY
J	Screws M4x16mm	8
K	Middle metal foot M4x12mm	1
L	Hinges ( Internal hiding)	4
M	Hinges ( Half cover)	2
N	Screws Ø4x25mm	1
O	Door stopper	2
P	Anti-collision gasket	4
Q	Screwdriver	1

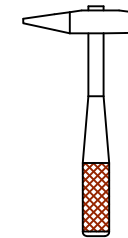
## Components



## Recommended tools You Will Need-Outils Require



Power drill



Hammer



Silicone

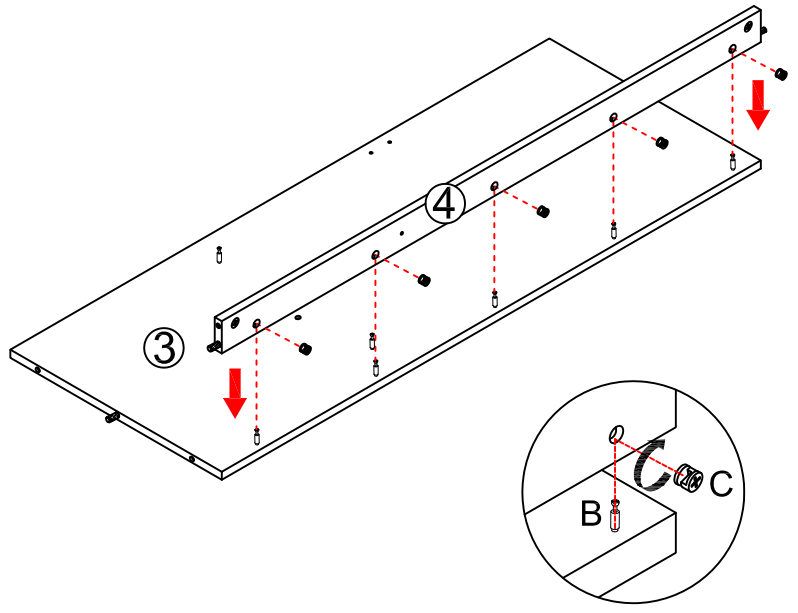


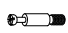


Pencil



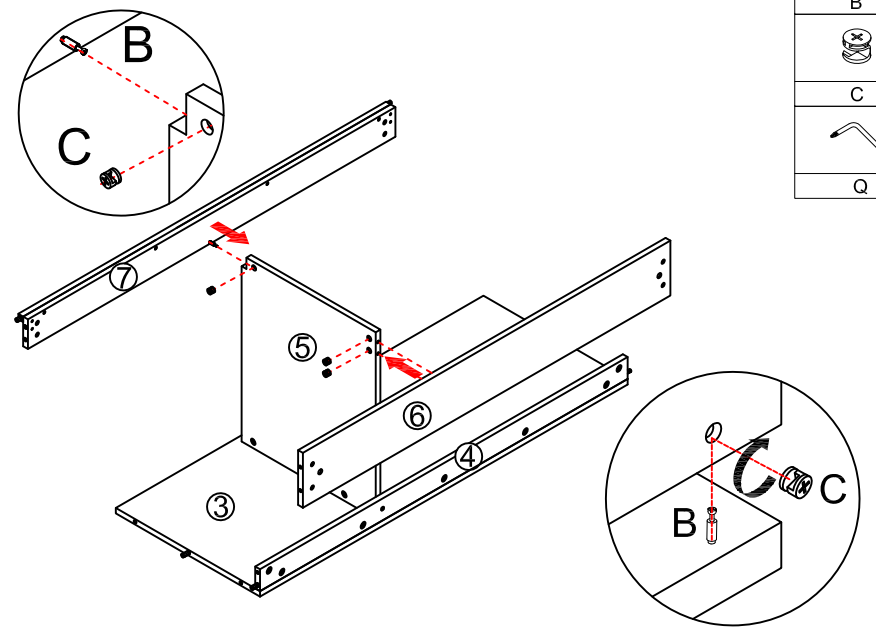
Screwdriver

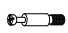


### Step 1



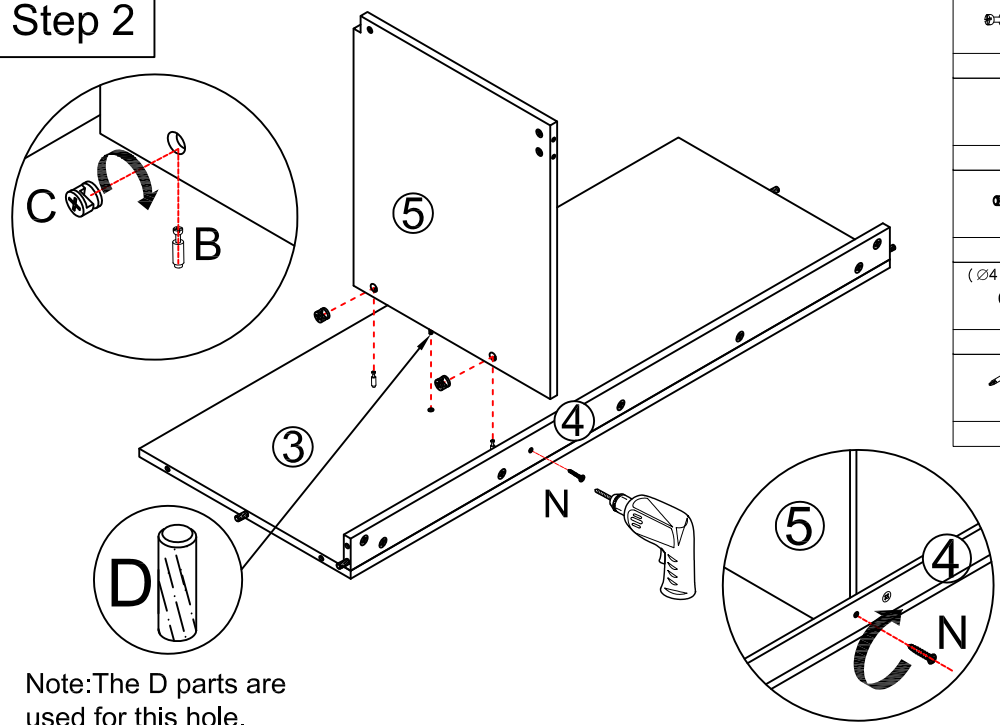
-  x5
-  x5
- 

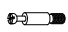


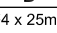
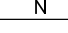
### Step 3



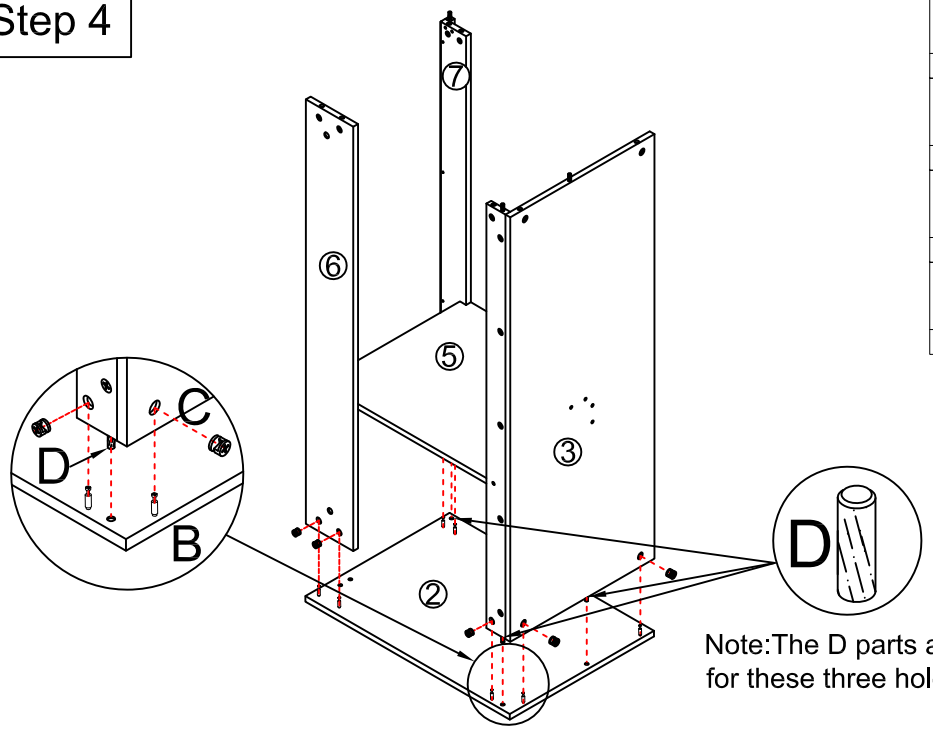
-  x3
-  x3
- 

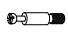



### Step 2



-  x2
-  x2
-  x1
-  (Ø4 x 25mm) x1
- 

### Step 4

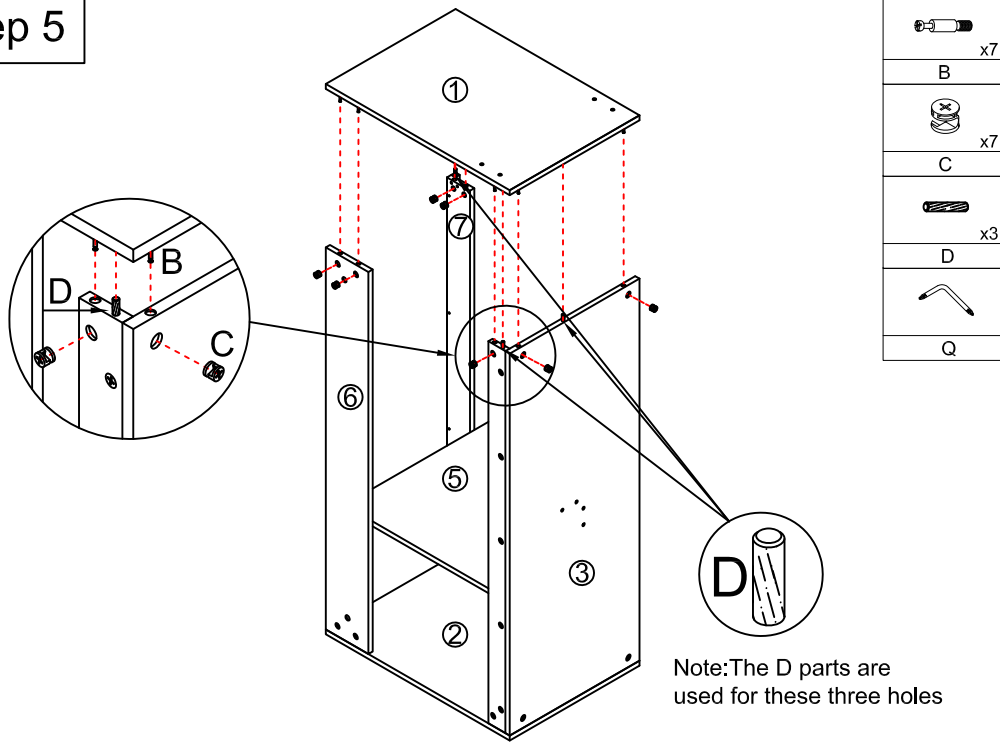


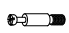



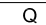
-  x7
-  x7
-  x3
- 

Note: The D parts are used for this hole.

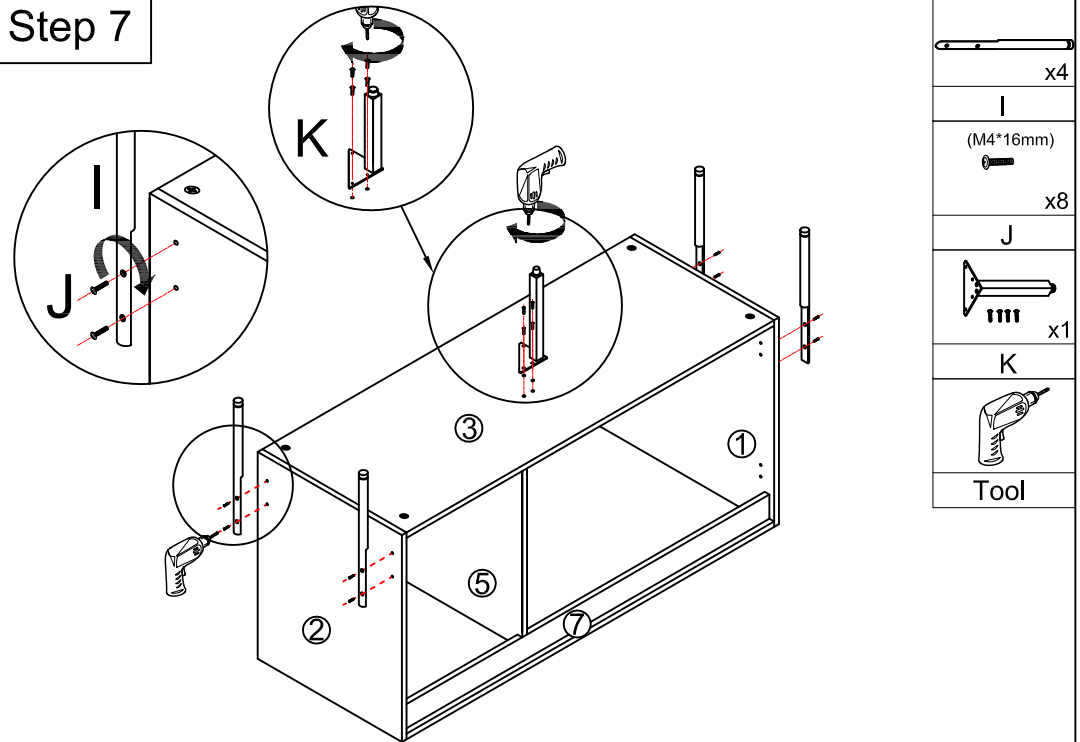
Note: The D parts are used for these three holes.

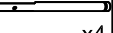
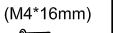



### Step 5



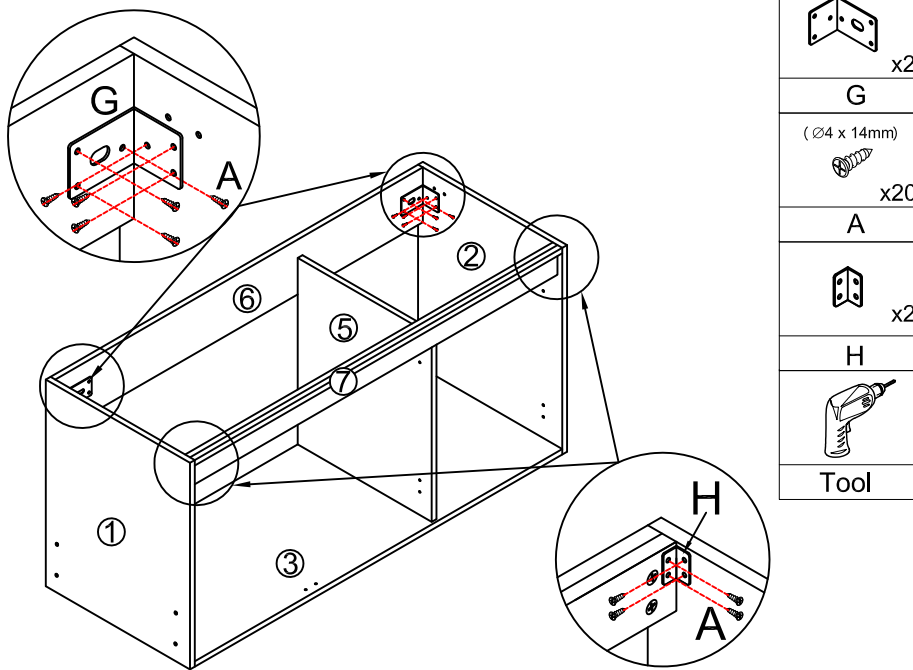
-  x7
-  x7
-  x3
- 
- 






### Step 7



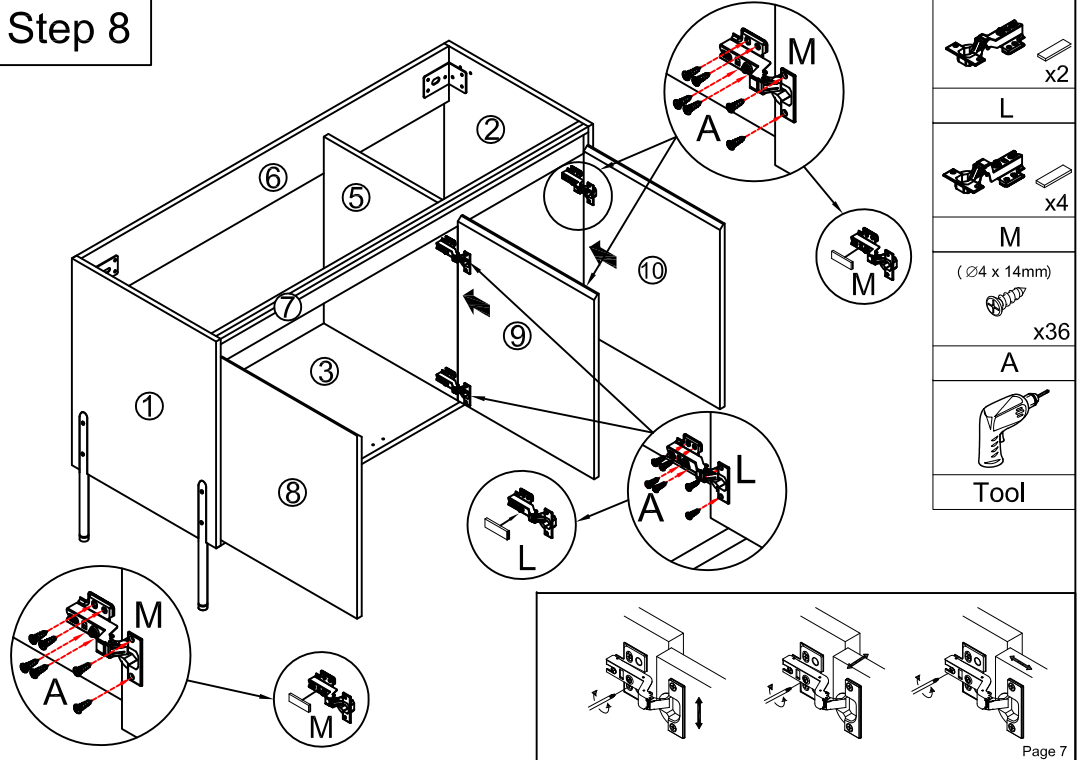
-  x4
-  (M4\*16mm) x8
- 
-  x1
-  Tool




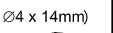

### Step 6



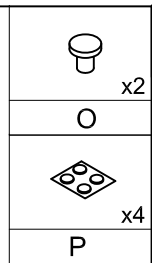
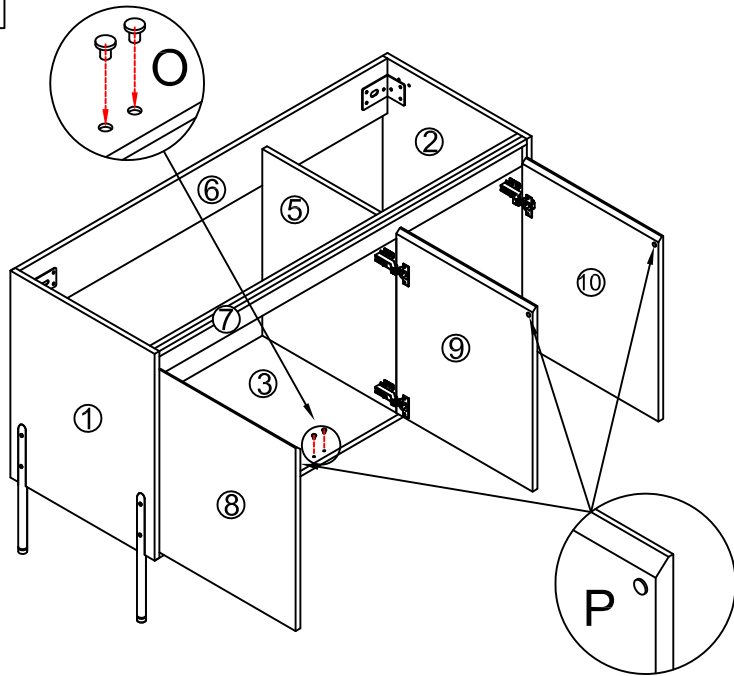
-  x2
-  G (∅4 x 14mm) x20
- 
-  x2
-  Tool

### Step 8

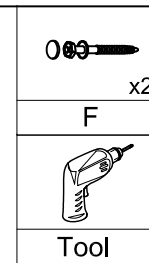
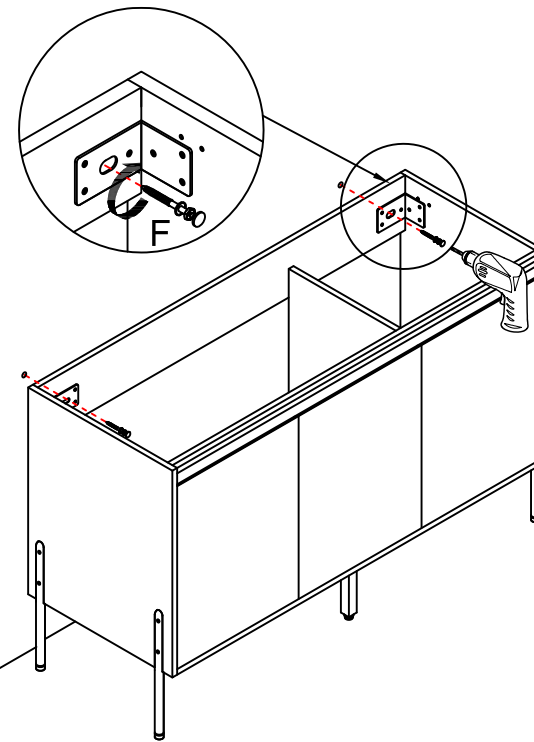


-  x2
-  x4
-  (∅4 x 14mm) x36
- 
-  Tool

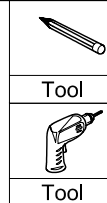
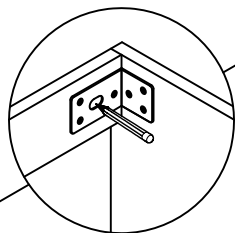
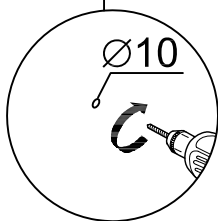
### Step 9



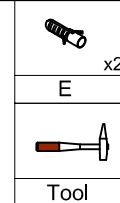
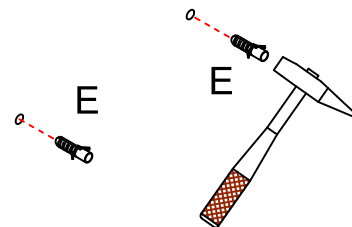
### Step 11



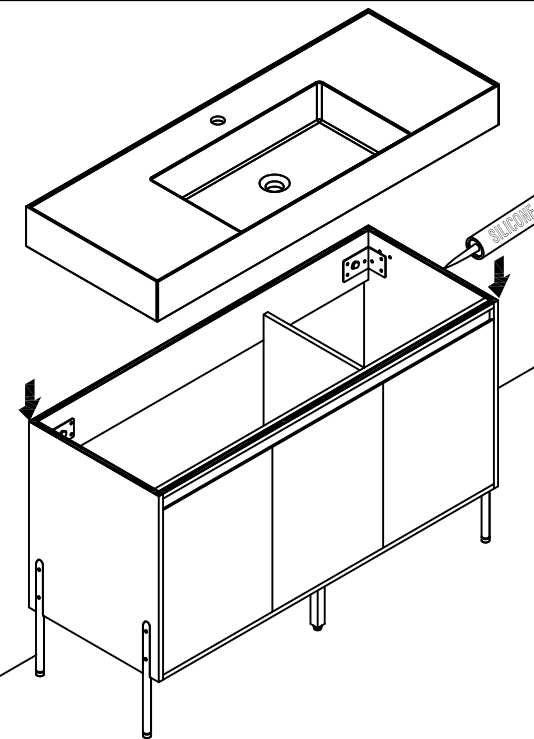
### Step 10



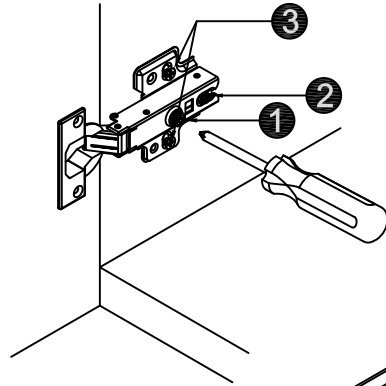
### Step 11



### Finished

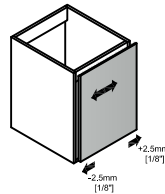


# HINGE ADJUSTMENTS



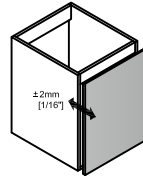
## ① Coverage Distance

Rotate screw to the right: Coverage distance decrease (-)  
Rotate screw to the left: Coverage distance increase (+)



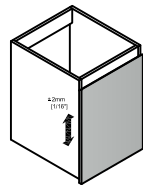
## ② Depth Distance

Rotate screw to the right: Coverage distance decrease (-)  
Rotate screw to the left: Coverage distance increase (+)



## ③ Height Distance

Release the base screw, adjust the height of the door, and then tighten the screw.



# CARE CLEANING AND MAINTENANCE

1. Dust regularly with a soft, dry cloth.
2. Avoid the use of all chemicals household cleaners, abrasives, or cleaners that contain lemon, vinegar, or other acids that may damage the finish.
3. Excessive exposure to sunlight and extreme changes in temperature and moisture can damage wood furniture.
4. The sink top is resilient, but care needs to be taken to preserve its appearance.
5. Do not place hot appliances, such as curling irons and hot hair dryers directly on the countertop. Wipe spills immediately.

## THANKS FOR WATCHING

Your feedback is invaluable to us and we would love to hear about your experience. Please take the time to leave us a review.