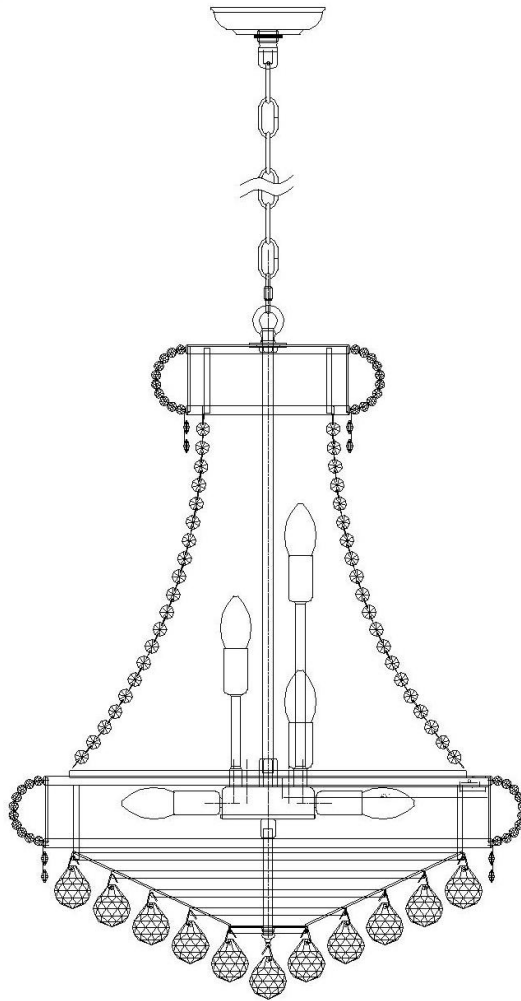


# INSTRUCTIONS MANUAL

## INDOOR CHANDELIER

Art Nr. 8609-9



### **CAUTION**

---

Warning:

- Only use bulbs as directed on the label on the lamp.
  - Turn off the lamp before replacing the bulb and wait until the bulb has cooled. Take special care to touch the lamp when the lamp is lit. It can be hot.
-

# Pre-Installation

## PLANNING THE INSTALLATION

Read all instructions before assembly and installation. Before starting installation of the fixture or removal of a previous fixture, disconnect the power by turning off the circuit breaker or by removing the fuse at the fuse box. To avoid damaging this product, assemble it on a soft, non-abrasive surface such as carpet or cardboard

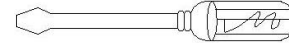
### TOOLS REQUIRED:



Gloves



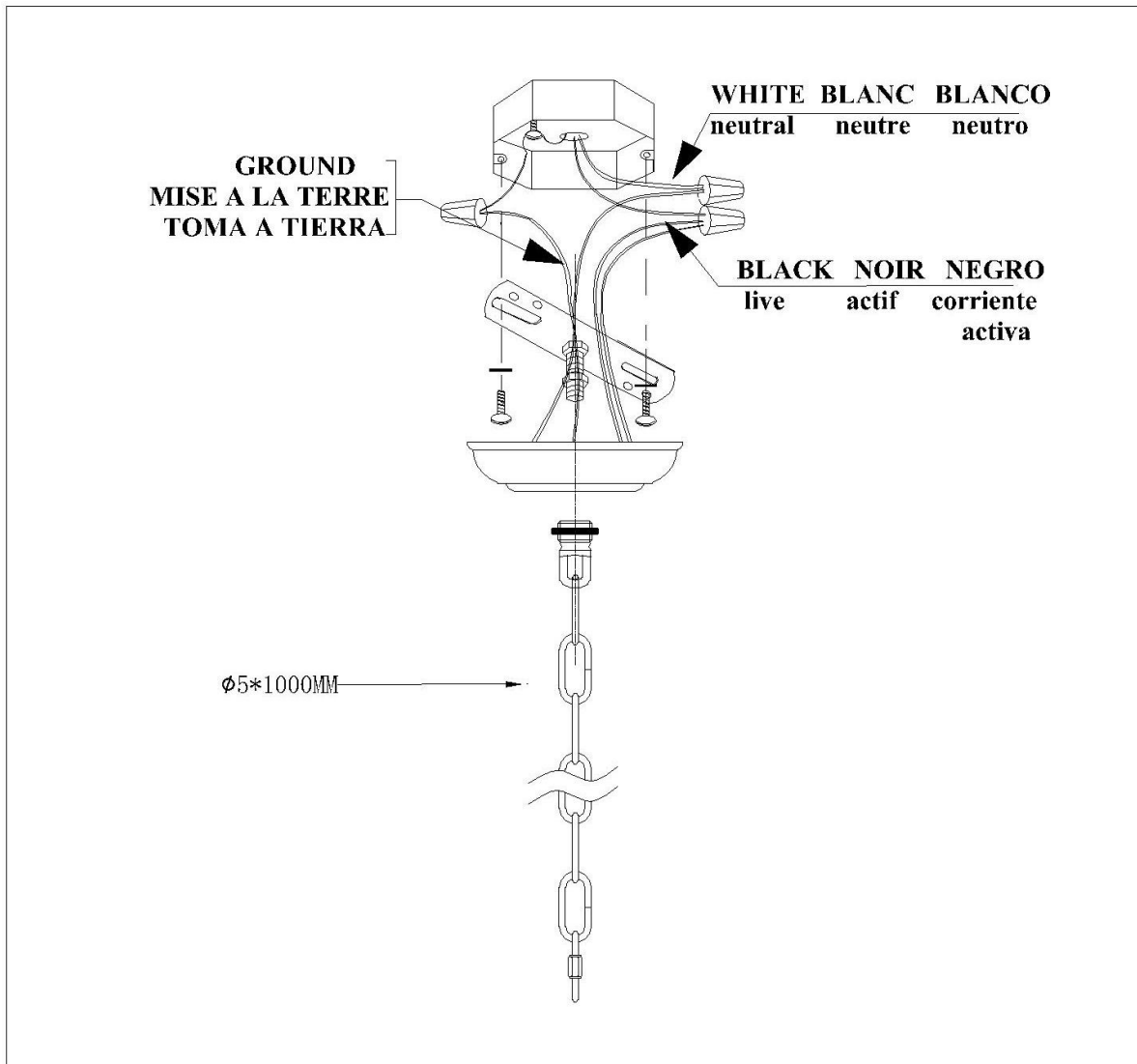
Spanner



Test pencil

# Installation

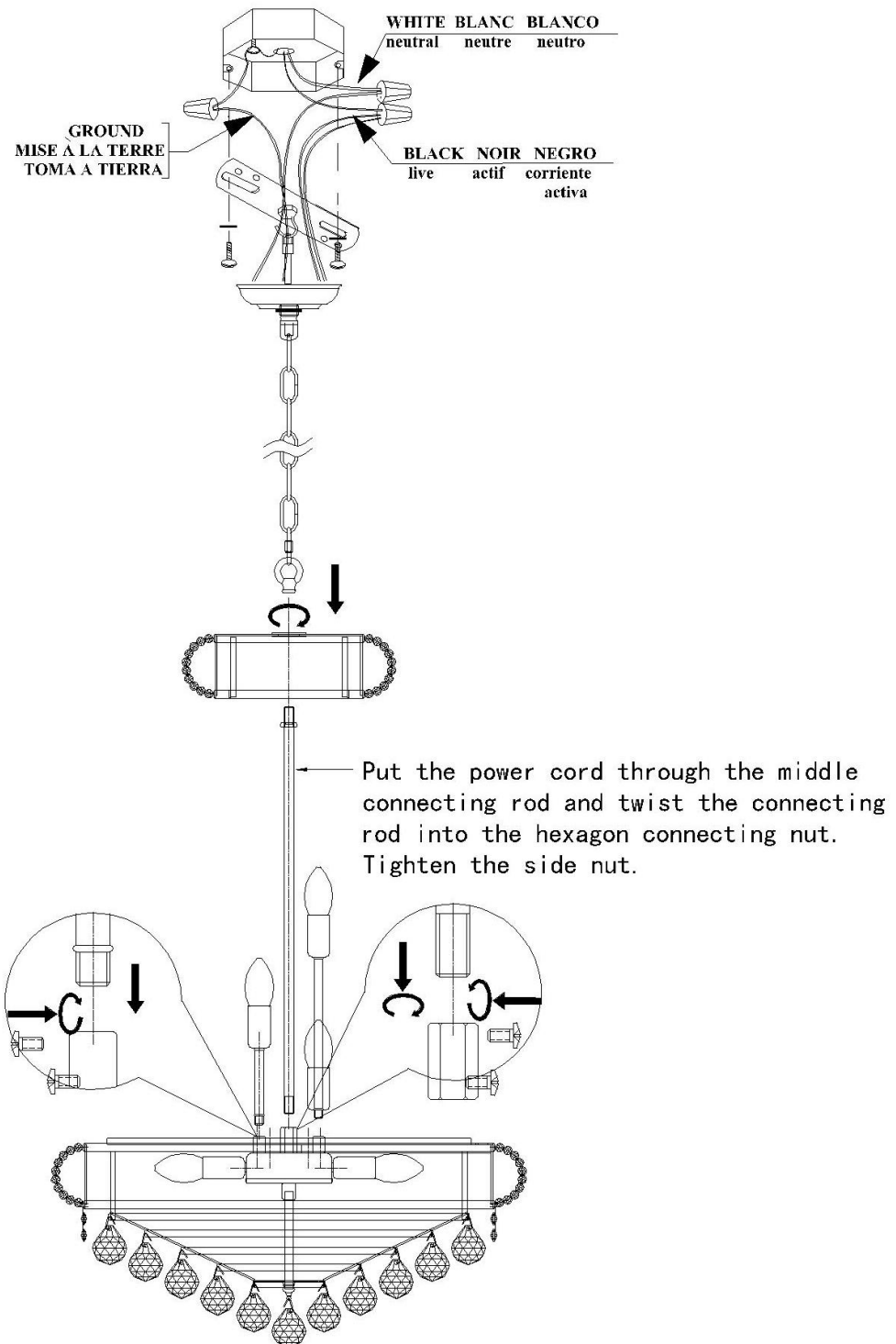
## Step 1



## Installation (continued)

---

### Step 2



## Operation

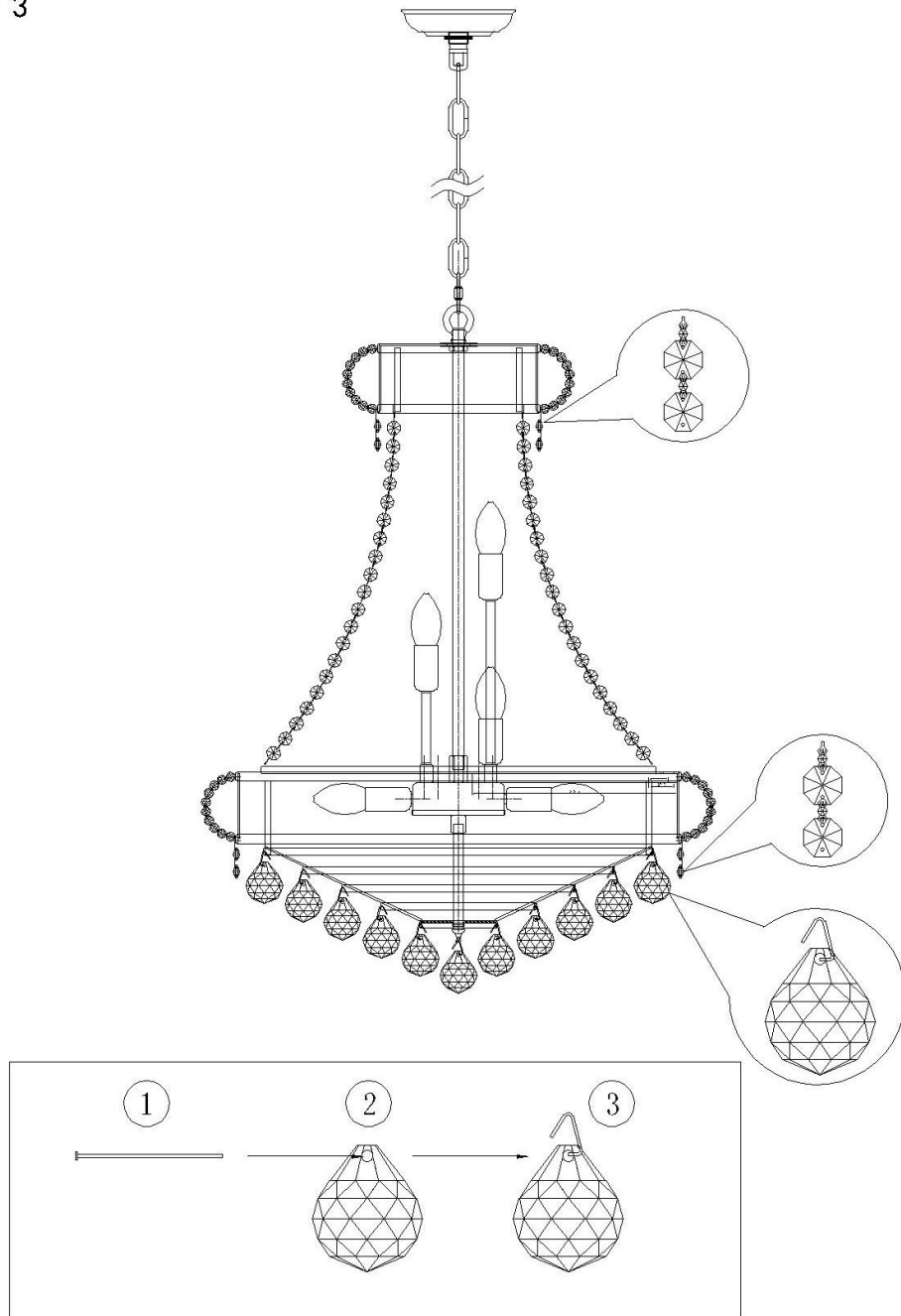
---

- Turn on power at the circuit breaker or fuse box.
  - Turn the light switch on to activate the fixture
-

## Package contents (parts are not to scale):

---

Step 3



## Care and Cleaning

---

### EXTERIOR MAINTENANCE

1. To clean the outside of the fixture, use a dry or slightly dampened clean cloth (use clean water, never a solvent) to wipe the surface of the fixture
2. Do not use any cleaners with chemicals, solvents or harsh abrasives. Use only a dry soft cloth to dust or wipe carefully