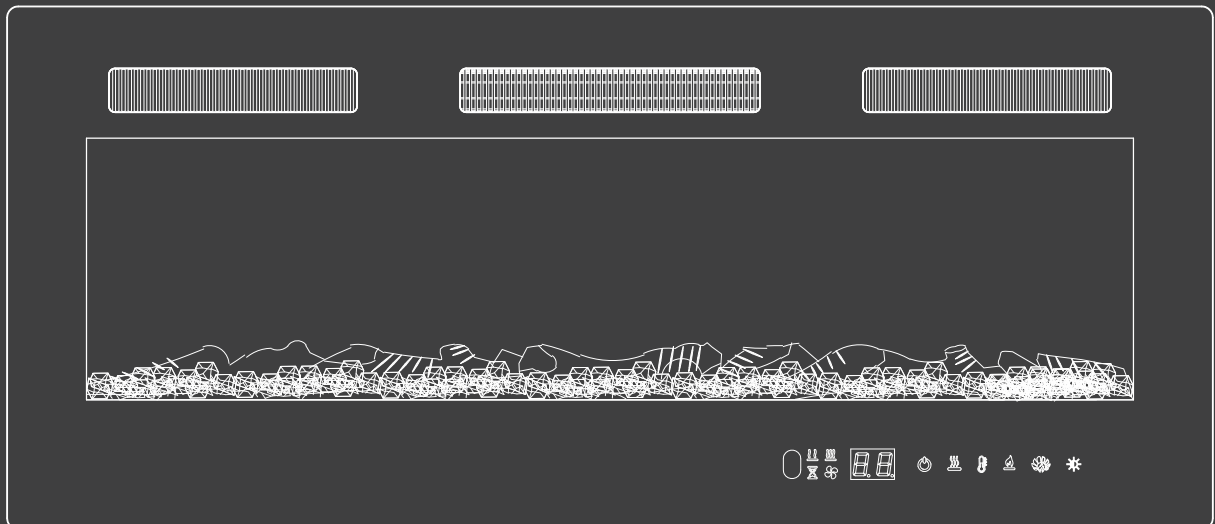


Electric Fireplace

Instruction Manual





As the main components are coated with anti-rust oil, a temporary odor may be present during initial use. This will gradually fade with continued operation.

PLEASE SAVE THESE INSTRUCTIONS AND READ THIS MANUAL CAREFULLY BEFORE USE.

Thank you for choosing our Electric Fireplace. This manual contains important information for the proper use, care, and maintenance of your new fireplace. Please take a moment to read it carefully and familiarize yourself with all operating instructions.

IMPORTANT SAFETY INSTRUCTIONS

When using this electric fireplace, basic safety precautions should always be followed to reduce the risk of fire, electric shock, injury, and overheating, including the following:

1. Read all instructions before using this appliance.
2. **CAUTION: Risk of electric shock.** Do not open or attempt to repair the fireplace yourself.
3. This fireplace becomes hot during operation. To avoid burns, Do not touch hot surfaces with bare skin. If equipped, use the handles when moving the fireplace.
4. Keep combustible materials—such as furniture, pillows, bedding, paper, clothing, and curtains—at least 3 feet away from the front of the fireplace, and clear of the sides, top, and rear. DO not place towels or other objects on the fireplace.
5. Use extreme caution when operating the heater near children, individuals with disabilities, or when left unattended.
6. Do not operate the fireplace if the power cord is damaged, or if the unit malfunctions, has been dropped, or otherwise damaged. Please contact our after-sales service for further assistance.
7. This fireplace is not intended for use in bathrooms, laundry areas, or other similar indoor locations. Never place the fireplace where it could fall into a bathtub or any other water container. To reduce the risk of electric shock, do not immerse the unit in water or other liquids.
8. Do not touch the control panel or plug with wet hands.
9. Do not run the power cord under carpeting or cover it with rugs, runners, or similar coverings. Arrange the cord away from traffic areas and in a location where it will not cause tripping hazards.
10. Do not insert or allow foreign objects to enter any ventilation or exhaust openings, as this may result in electric shock, fire, or damage to the fireplace.

11. To reduce the risk of fire, do not block air intakes or exhaust openings. Do not use the fireplace on soft surfaces, such as a bed, where openings may be obstructed.
12. This appliance contains hot, arcing, or sparking components. Do not use in areas where gasoline, paint, or flammable/explosive liquids are used or stored. Keep the unit away from heated surfaces and open flames.
13. Always plug the fireplace directly into a wall outlet. Do not use with extension cords or relocatable power taps (such as power strips).
14. To avoid the risk of fire or electric shock, plug the unit directly into a 120 V AC wall outlet.
15. To disconnect the fireplace, turn the controls to OFF, then remove the plug from the outlet. Always remove the plug directly—do not unplug by pulling on the cord.
16. Always unplug the unit before moving or cleaning, or whenever it is not in use.
17. Use this fireplace only as described in this manual and only for intended household purposes. Any other use not recommended by this manual may result in fire, electric shock, or injury.
18. The use of attachments not recommended by our after-sales service may pose safety hazards.
19. Always operate on a dry, level surface. Use on floor only.
20. Do not use the fireplace outdoors.
21. **WARNING:** To reduce the risk of fire or electric shock, do not use this unit with any solid-state speed control device.
22. Do not attempt to repair or modify any electrical or mechanical components of this unit. Doing so will void the warranty. There are no user-serviceable parts inside. All servicing must be performed by qualified personnel.
23. Hyperthermia can be fatal. Symptoms may include elevated body temperature, headache, nausea, vomiting, fatigue, dizziness, fainting, and rapid heartbeat. If you experience any of these symptoms, turn off the fireplace immediately and seek medical attention.
24. To prevent excessive room temperatures that may lead to hyperthermia, do not leave the unit running unattended in confined spaces or near infants, or individuals with reduced physical, sensory, or cognitive abilities.

TECHNICAL SPECIFICATIONS

Rated Voltage/ Frequency	120V ~ 60Hz
Rated Power	1500w
BTU	5000

OVERHEAT PROTECTION:

This fireplace is equipped with an overheat protection feature. If the internal components reach a temperature that may cause overheating or pose a fire risk, the unit will automatically shut off.

WARNING: It is normal for the power cord to feel warm during use. However, a loose connection between the plug and the outlet may cause the plug to overheat. If this occurs, try a different outlet and contact a qualified electrician to inspect the original outlet for damage.

PREPARATION:

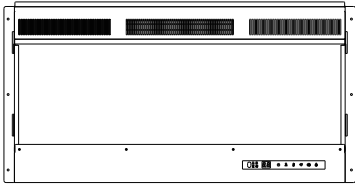
This product includes a glass panel. Always handle glass with extreme caution. Failure to do so may result in personal injury or property damage.

Carefully remove all parts and hardware from the carton and place them on a clean, soft, and dry surface. This fireplace is designed for both wall-mounted and recessed installation. Please refer to the package contents to ensure all components are included. Dispose of all packaging materials properly and recycle whenever possible.

Tools required (not included): Phillips screwdriver, stud finder, level, tape measure, electric drill, $\Phi 1/4$ " wood drill bit, hammer.

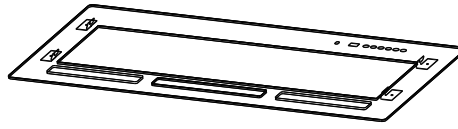
PACKAGE CONTENTS

A



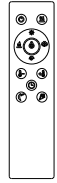
Fireplace

B



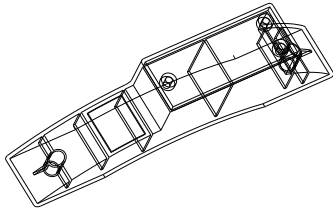
Glass Panel

C



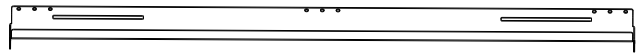
Remote Control

D x2



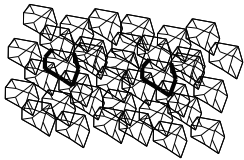
Feet

E



Wall-mount Bracket

F



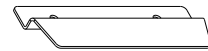
Crystal Ember Bed

G



Driftwood Log Set

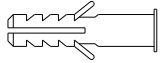
H x2



Small Wall-mount Bracket

Model \ Label	Quantity							
	A	B	C	D	E	F	G	H
36IN	1pc	1pc	1pc	2pcs	1pc	About 300g/0.66lb	3pcs	2pcs
42IN	1pc	1pc	1pc	2pcs	1pc	About 360g/0.79lb	3pcs	2pcs
50IN	1pc	1pc	1pc	2pcs	1pc	About 400g/0.88lb	5pcs	2pcs
60IN	1pc	1pc	1pc	2pcs	1pc	About 500g/1.10lb	6pcs	4pcs

1



Wall Anchor

2



Screws
M4x45mm

3



Self-tapping Screws
ST3.5x16mm

4

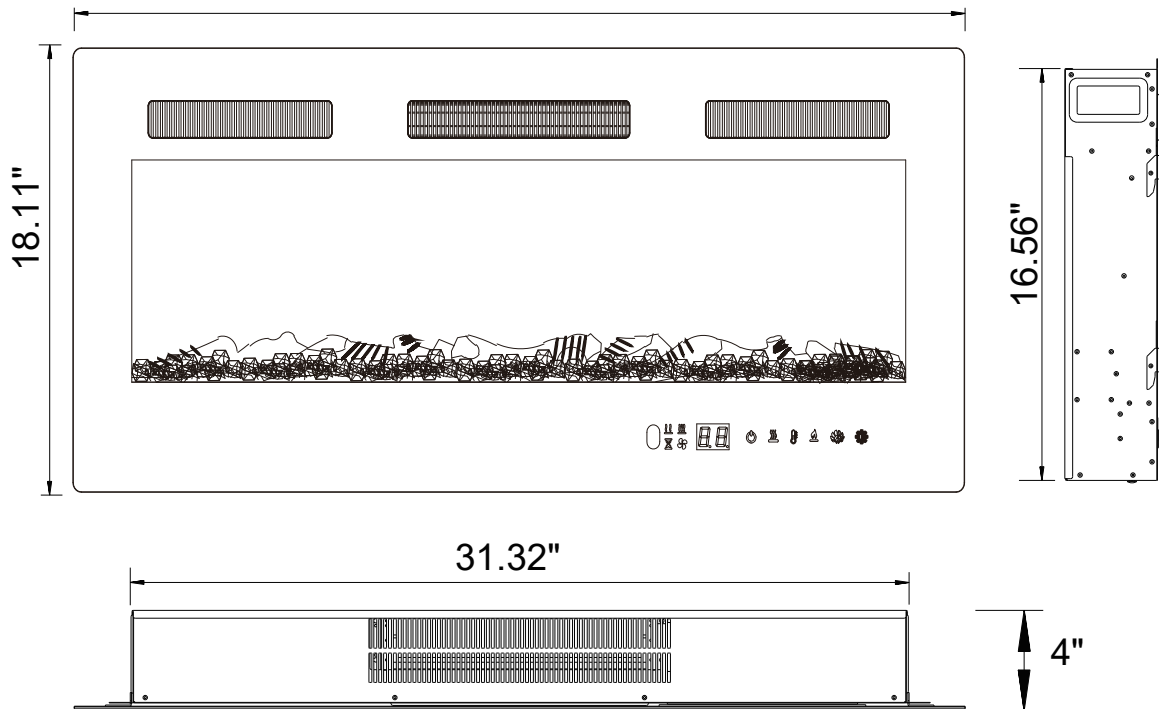


Self-tapping Screws
ST3.5x8mm

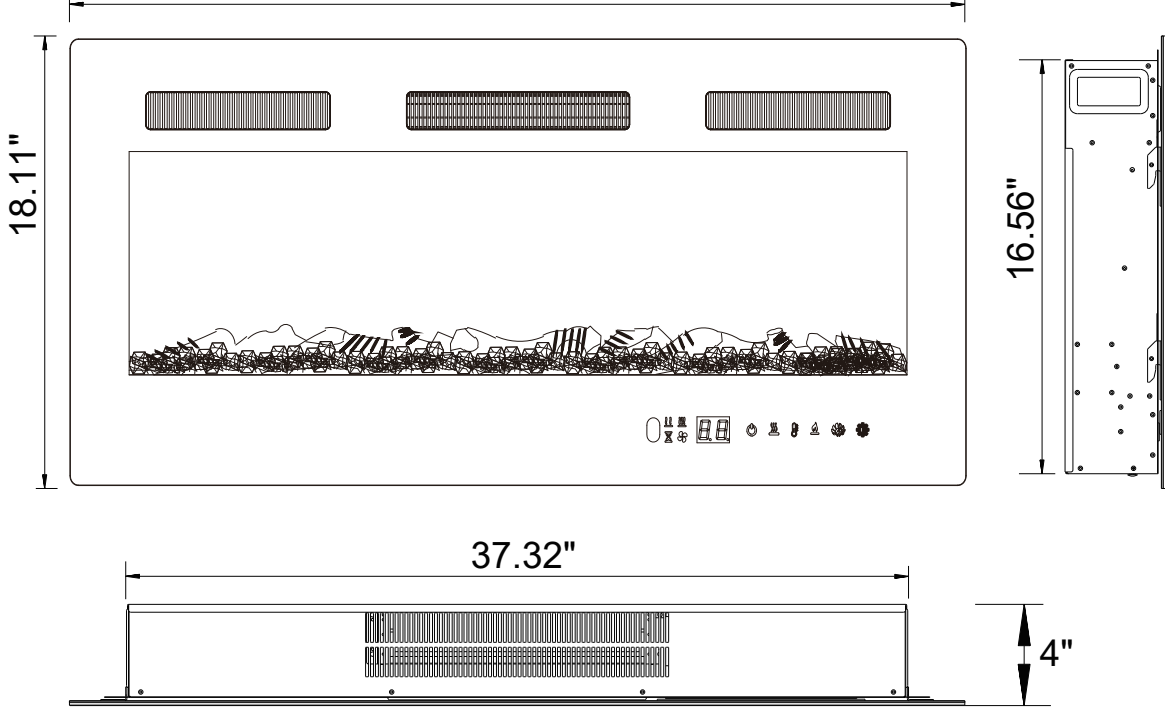
Model \ Label	Quantity			
	1	2	3	4
36IN	10pcs	10pcs	6pcs	6pcs
42IN	10pcs	10pcs	6pcs	6pcs
50IN	10pcs	10pcs	6pcs	6pcs
60IN	12pcs	12pcs	6pcs	12pcs

PRODUCT DIAGRAM

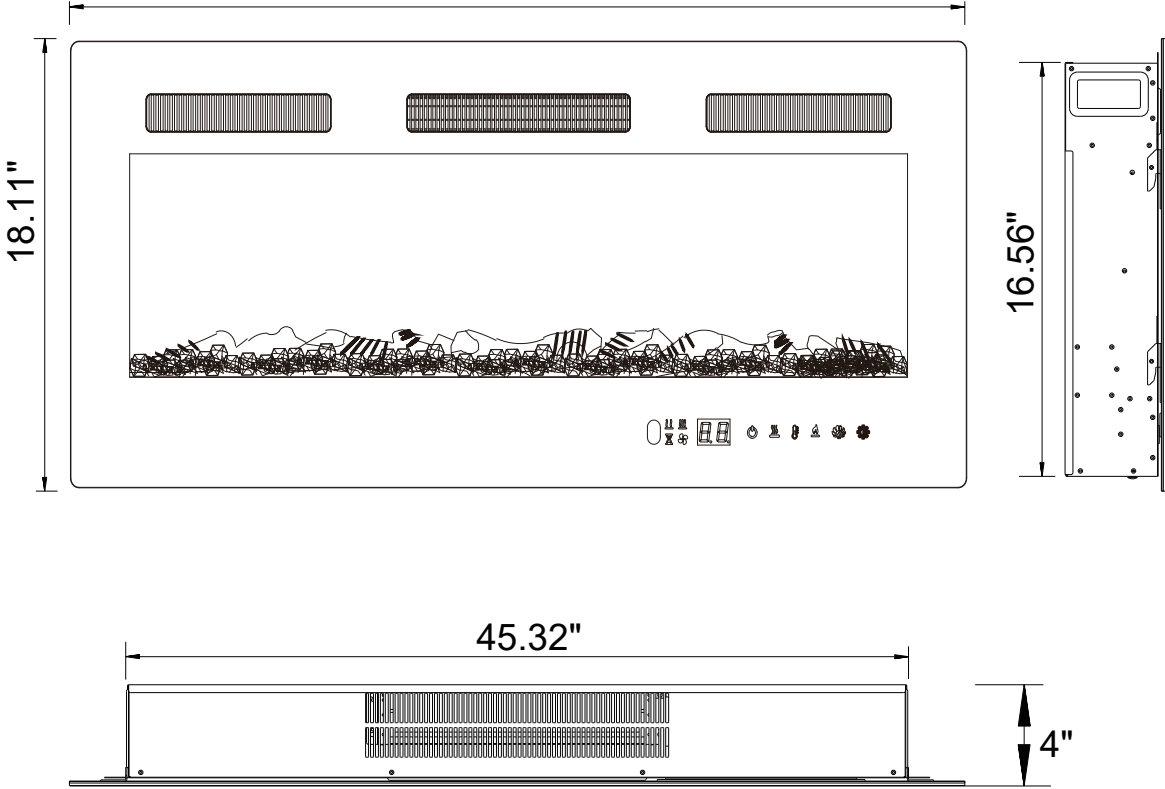
36IN



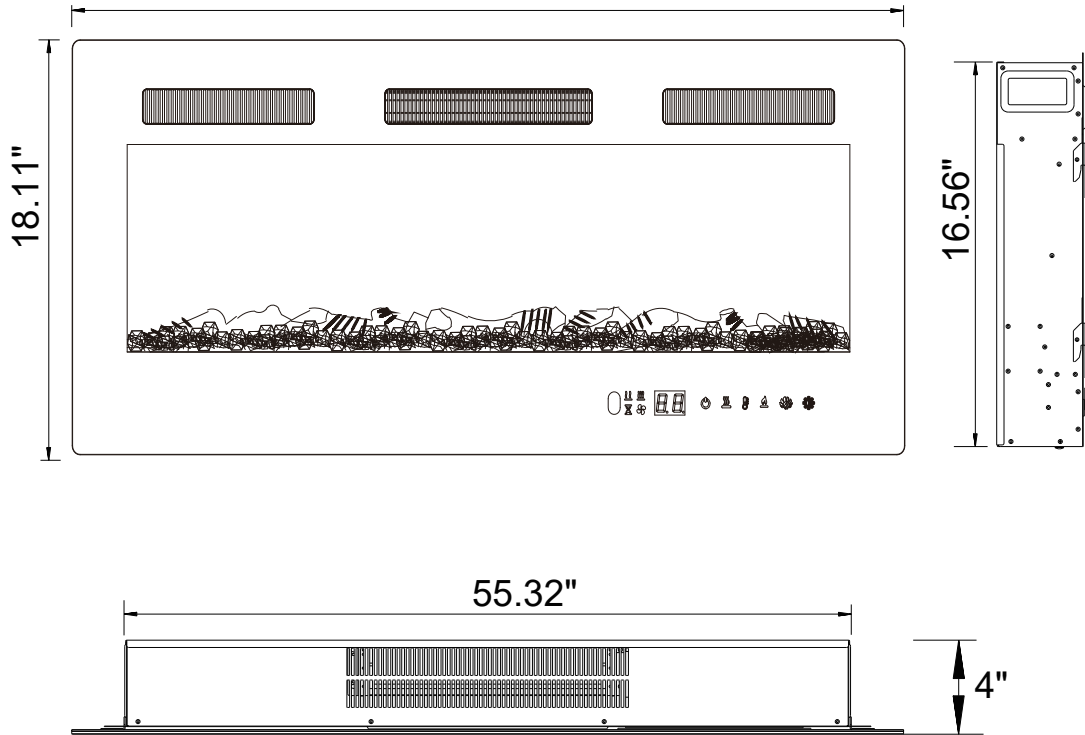
42IN



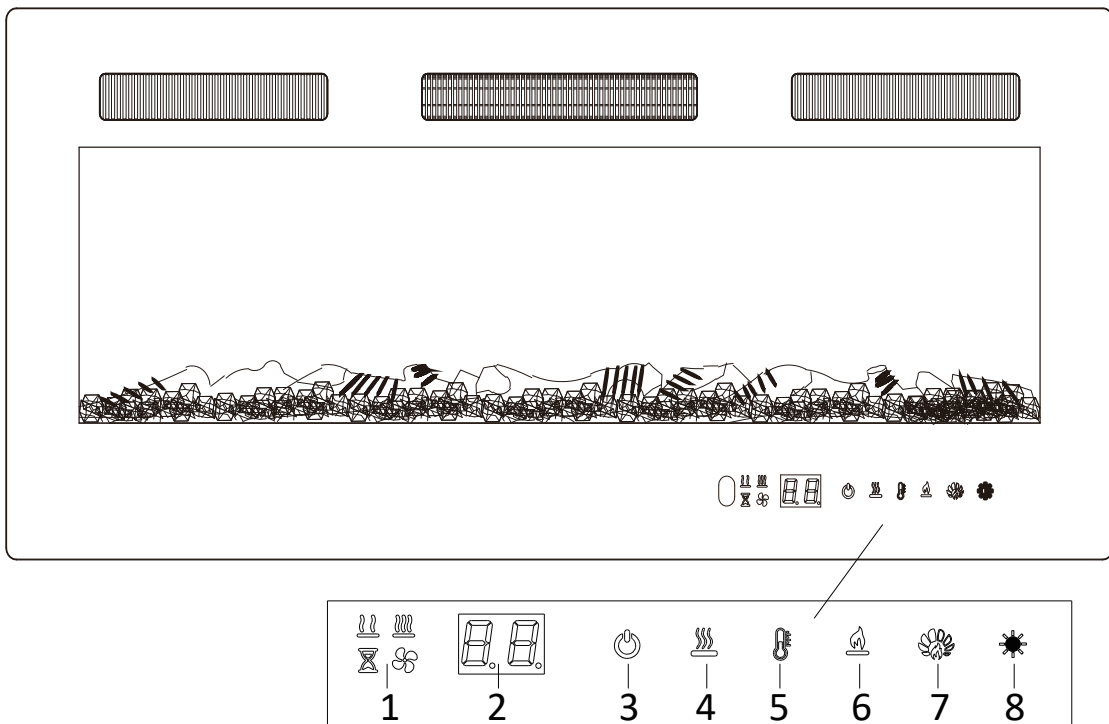
50IN



60IN



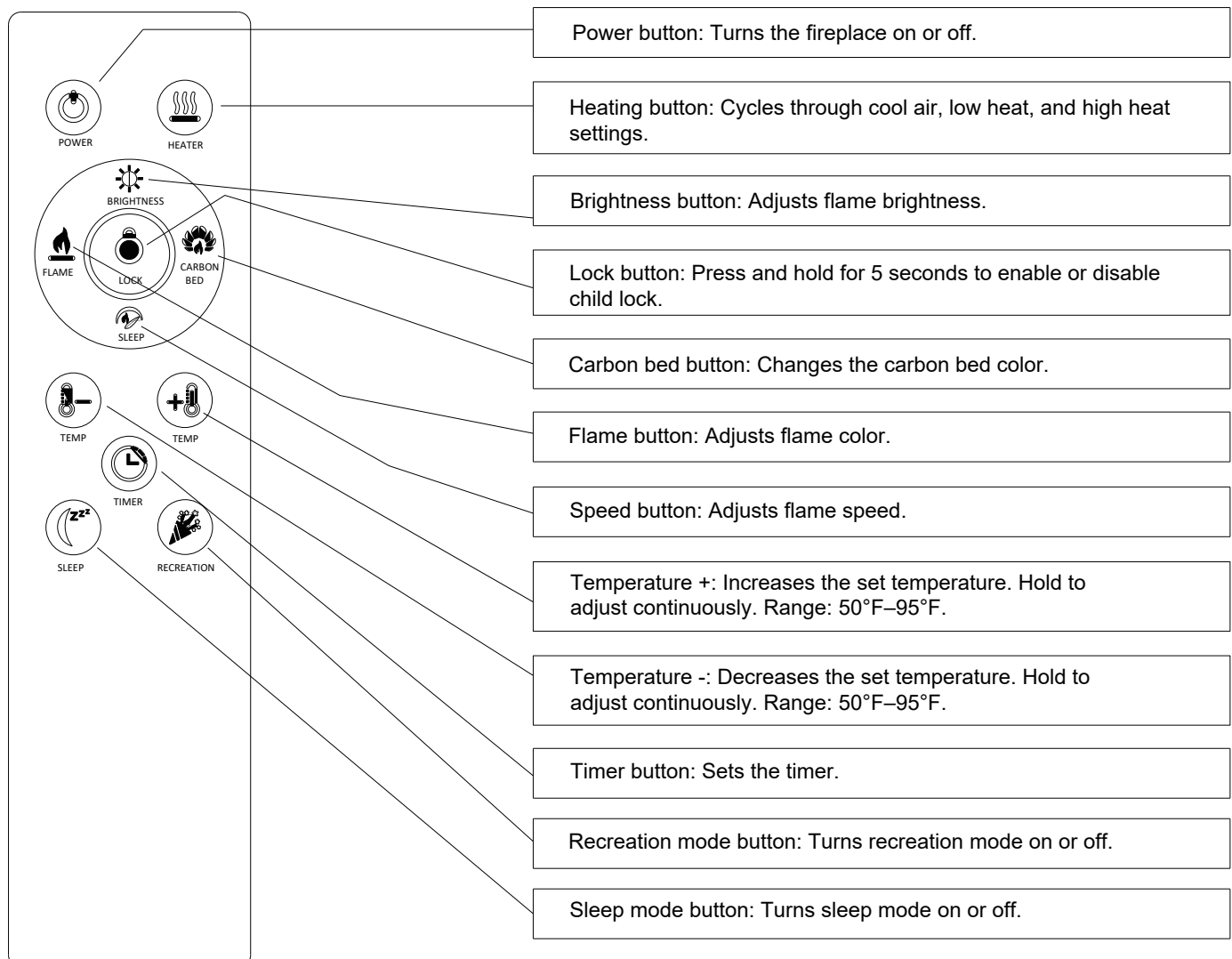
CONTROL PANEL OPERATION



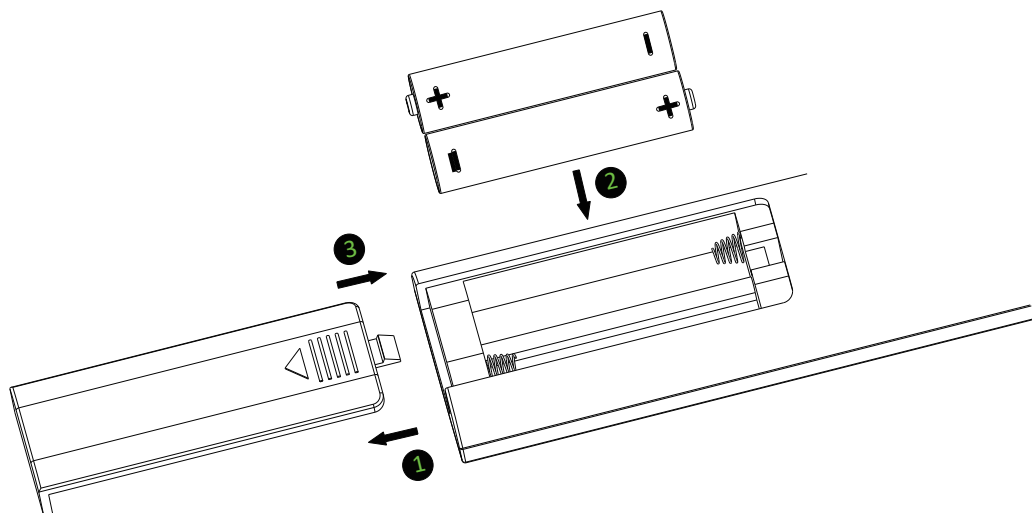
1. Function Indicator Light.
2. Digital Display: Shows timer, flame color, ember bed color, flame speed, brightness level, lock status, and heating level (High/Low).
3. Power Button: Turns the fireplace on or off.
4. Heating Button: Cycles through cool air, low heat, and high heat settings.
5. Temperature Button: Adjusts the set temperature.
6. Flame Button: Adjusts flame color and flame speed.
7. Carbon bed Button: Changes the carbon bed color.
8. Brightness/Lock Button: Adjusts flame brightness; press and hold (3-5 s) to enable or disable the child lock.

NOTE: By default, the temperature is displayed in °F. Press Temperature and Flame buttons simultaneously to switch between °F and °C.

REMOTE CONTROL












1. Remove the battery box cover in the direction indicated by the arrow.
2. Insert two new AAA alkaline batteries (not included in the package), making sure the "+" and "-" polarities are correctly aligned.
3. Reinstall the battery cover.









Control Panel/Remote Control Functions

Before use, ensure that the electric fireplace has been properly assembled and plugged into a functional power outlet.

BUTTON	FUNCTION
 POWER	<p>Switch on/off button:</p> <p>The indicator light is on when the unit is powered on. Press the POWER button on the front panel or remote control to turn on the electric fireplace and activate the flame. Then the indicator light will turn off.</p> <p>If it is the first time turning on the unit, no heat will be activated. The unit will resume the last settings if the power is not turned off.</p> <p>Turning off the unit: Press the POWER button on the front panel or remote control. The electric fireplace will turn off, the indicator light will turn on, and the fan will continue to run for 1 minute if the heat was on before the unit was turned off.</p>
 HEATER	<p>• Heat On</p> <p>Press to turn on the heat (indicated by a short beep). The display will show Lo (low heat), HI (high heat), Ho (cool airflow), and turn off. After 2 seconds, the display will show the room temperature. Use the temperature button to adjust the heater temperature setting.</p> <p> Low heat indicator light.</p> <p> High heat indicator light.</p> <p>NOTE: When the heater is switched on, the heater fan will operate. The heater element may or may not be activated, depending on the thermostat setting (see "Temperature" section). On the control panel, press and hold both the Heating button and Temperature button for 3-5 seconds. The heater will disable heating, the display will show '- -', and a beep will sound. Repeat the same procedure to restore heating function</p>

 <p>FAN ON</p>	<p>• Fan On</p> <p> Press the heat button to activate cool airflow (the display shows Ho). The fan indicator is on. No heat will be produced -- only the fan operates. This setting is not affected by the temperature setting; the blower will run continuously.</p> <p>NOTE: After the heater is switched off, the fan will continue to run for 1 minute before shutting down. The fan can only operate when the unit is turned on.</p>
 <p>TIMER</p>	<p>Timer Setting:</p> <p>The timer can be set between 0 to 12 hours. By default, the timer is set to 0 hours when the fireplace is turned on.</p> <p>To set the timer, press the TIMER button on the control panel or the remote control while the unit is operating. The display will switch to "00" and start flashing. Each press of the TIMER button increases the time in 1 hour increments (1H, 2H, 3H, 4H ... up to 12.0H).</p> <p>When the desired time is selected, stop pressing the button. After 10 seconds of no operation, the display will stop flashing and revert to showing the current room temperature.</p> <p>The timer function can be set in standby mode to turn on the product at preset times</p>
 <p>TEMP +</p>	<p>Temperature +:</p> <p>The temperature can be set between 50°F (10°C) and 95°F (35°C). The default temperature is 95°F (35°C).</p> <p>Each press of the Temperature + button increases the set temperature by 1°F (or 1°C).</p> <p>Pressing and holding this button will cause the temperature to increase continuously until it reaches the maximum setting.</p> <p>While adjusting the temperature, the display will flash. After a few seconds of no operation, the display will stop flashing and revert to showing the current room temperature.</p>
 <p>TEMP -</p>	<p>Temperature -:</p> <p>The temperature can be set between 50°F (10°C) and 95°F (35°C). The default temperature is 95°F (35°C).</p> <p>Each press of the Temperature- button decreases the set temperature by 1°F (or 1°C).</p> <p>Pressing and holding this button will cause the temperature to decrease continuously until it reaches the minimum setting.</p> <p>While adjusting the temperature, the display will flash. After a few seconds of no operation, the display will stop flashing and revert to showing the current room temperature.</p>

 <p>TEMP (control panel)</p>	<p>Temperature Setting:</p> <p>The temperature can be set between 50°F (10°C) and 95°F (35°C). The default temperature is 95°F (35°C).</p> <p>Each press of this button increases the set temperature by 1°F (or 1°C). Hold this button to increase the temperature continuously; it cycles back to the minimum after the maximum is reached.</p> <p>While adjusting the temperature, the display will flash. After a few seconds of no operation, the display will stop flashing and revert to showing the current room temperature.</p>
 <p>Flame</p>	<p>Flame Setting:</p> <p>The flame color can be adjusted using the Flame button. Available colors are displayed as F1-F9, followed by 10-14. Press the button repeatedly to cycle through all 13 color options. After color 13, the unit enters Color Cycle Mode, where the flame color automatically cycles through all options, each displayed for approximately 3 seconds.</p> <p>NOTE: The Flame button on the control panel supports two modes:</p> <ol style="list-style-type: none"> 1. Color Mode (default): Press the button to select your desired flame color. 2. Flame Speed Mode: Press and hold the button for 3-5 seconds until a beep sounds and the flame icon flashes. Then press the button to adjust the flame speed. <p>NOTE: The flame settings can only be adjusted when the unit is powered on.</p>
 <p>Carbon Bed</p>	<p>Carbon Bed Setting:</p> <p>This button allows you to change the carbon bed color. Press the button repeatedly to cycle through all 13 color options.</p> <p>After color 13, press the button once more to enter Color Cycle Mode, where the color automatically cycles through all options, each lasting approximately 3 seconds.</p> <p>NOTE: This function is only available when the unit is powered on.</p>
 <p>Brightness & LOCK (Control Panel)</p>	<p>Brightness and Child Lock Setting:</p> <p>Brightness Adjustment:</p> <p>The brightness of the flame and ember bed can be adjusted using this button. Each press cycles the brightness level from L5 (brightest) to L1 (dimmiest), and then to L0 (off).</p> <p>Child Lock Function:</p> <p>The fireplace features a child lock function available on both the remote control and the control panel.</p> <p>To enable the child lock, press and hold this button for 5 seconds. Once locked, all other buttons become disabled, and the display shows "CL".</p> <p>To disable the child lock, press and hold this button again for 5 seconds.</p>
 <p>Flame Speed</p>	<p>Flame Speed Setting:</p> <p>The speed of the flame effect can be adjusted using the Flame Speed button. Each press cycles through the available speed levels from S5 (fastest) to S1 (slowest), then loops back to S5.</p>
 <p>Lock</p>	<p>Child Lock Setting:</p> <p>To enable the child lock, press and hold this button for 5 seconds. Once locked, all other buttons become disabled, and the display shows "CL".</p> <p>To disable the child lock, press and hold this button again for 5 seconds.</p>



Sleep Mode:

In Sleep Mode, the flame speed is set to S1 and the brightness level of both the flame and ember bed is set to L1. The display will show "S" to indicate this mode.



Recreation Mode:

Flame speed: Maximum S5, Brightness: Maximum L5. Display P, Flame color selection: 14, Ember bed color selection: 14. Disable auto color cycle function. In Entertainment Mode, flame and ember bed colors change simultaneously in a cycling pattern.

Installation Options

This product offers three installation methods to choose from:

1. Wall-Mounted
2. Free-Standing with Feet
3. Recessed into the Wall

Installation Option 1:

Wall-Mounted

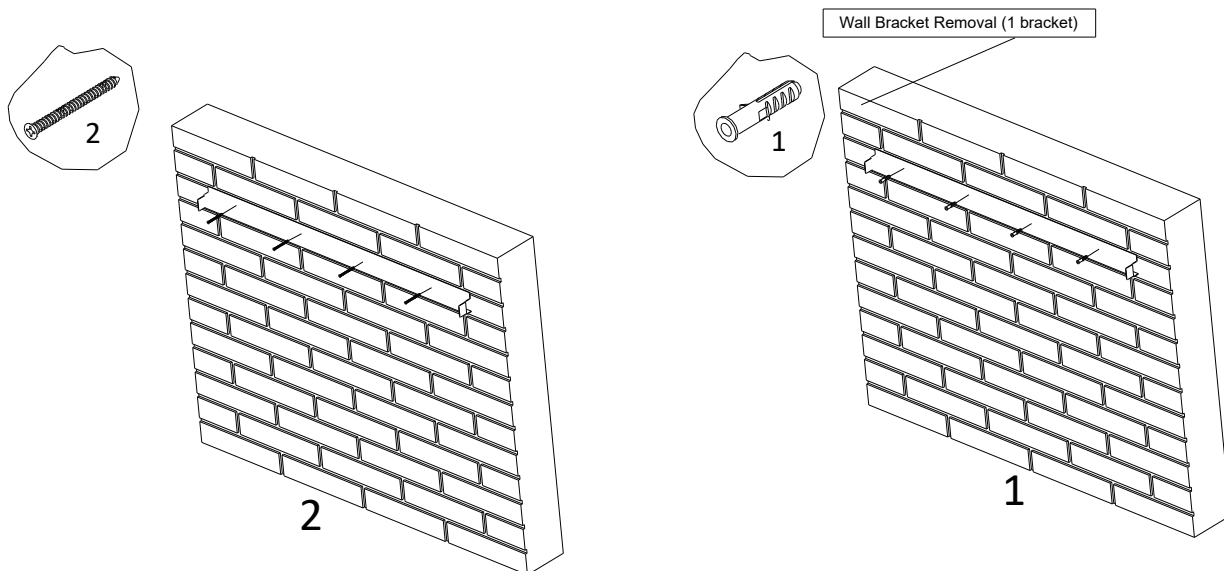
WARNING: Installation must be performed by a qualified professional only.

Due to the variety of wall surface materials, it is strongly recommended that you consult your local contractor or builder before mounting the fireplace.

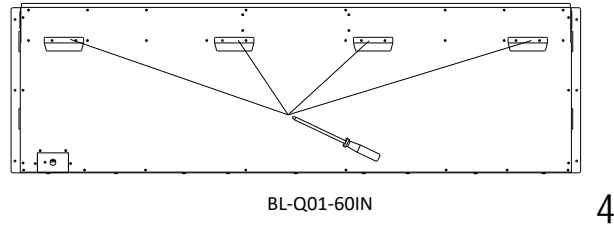
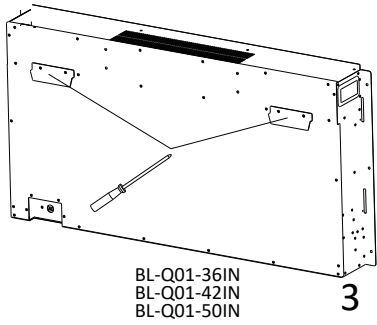
Select a location that is dry, away from moisture, and at least 36 inches (91 cm) from any combustible materials such as curtains, drapes, furniture, bedding, paper, etc.

Installation Instructions:

1. Choose a location that meets the above safety requirements.
2. With two people, hold the fireplace against the wall to determine the desired mounting position.

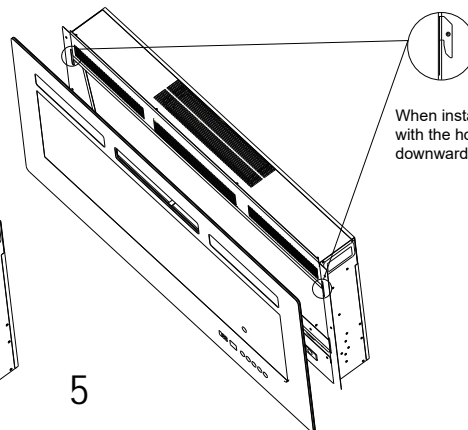
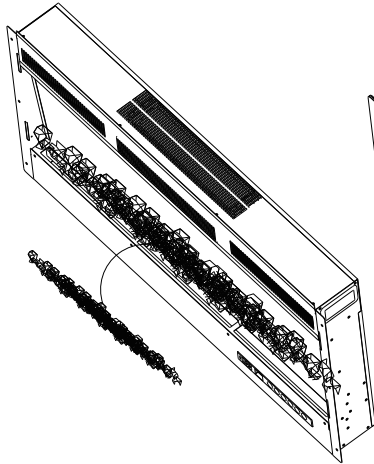
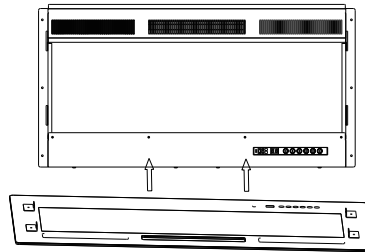
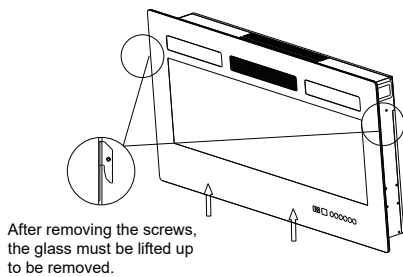


3. Mark the position for the wall-mount bracket (E) on the wall. Ensure the hooks on bracket (E) face outward and remain level. Secure the bracket (E) to the wall using four wall anchors (1) and four screws (2).

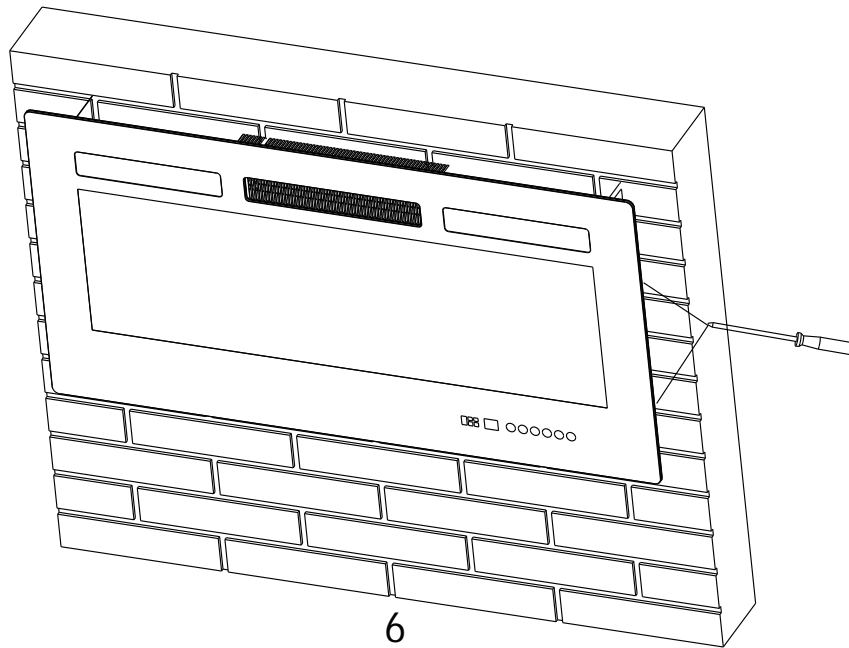


4. Place the unit face down on a soft, non-abrasive surface. Install two small wall-mount brackets (H) onto the back of the fireplace using four self-tapping screws (4), as shown in the figure below.

Note: The 60-inch fireplace comes with four small wall-mount brackets (H), which should be installed using eight self-tapping screws (4).



5. Carefully remove the glass panel by unscrewing the screws on both sides, and store it in a safe place. You will reuse it later when reinstalling the panel. Next, take out the crystal embers (F) and driftwood log set (G), and arrange them evenly on the ember bed. Then reinstall the glass panel using two self-tapping screws (4) and the two original screws removed earlier. Finally, verify that the glass panel is securely fastened and will not come loose.

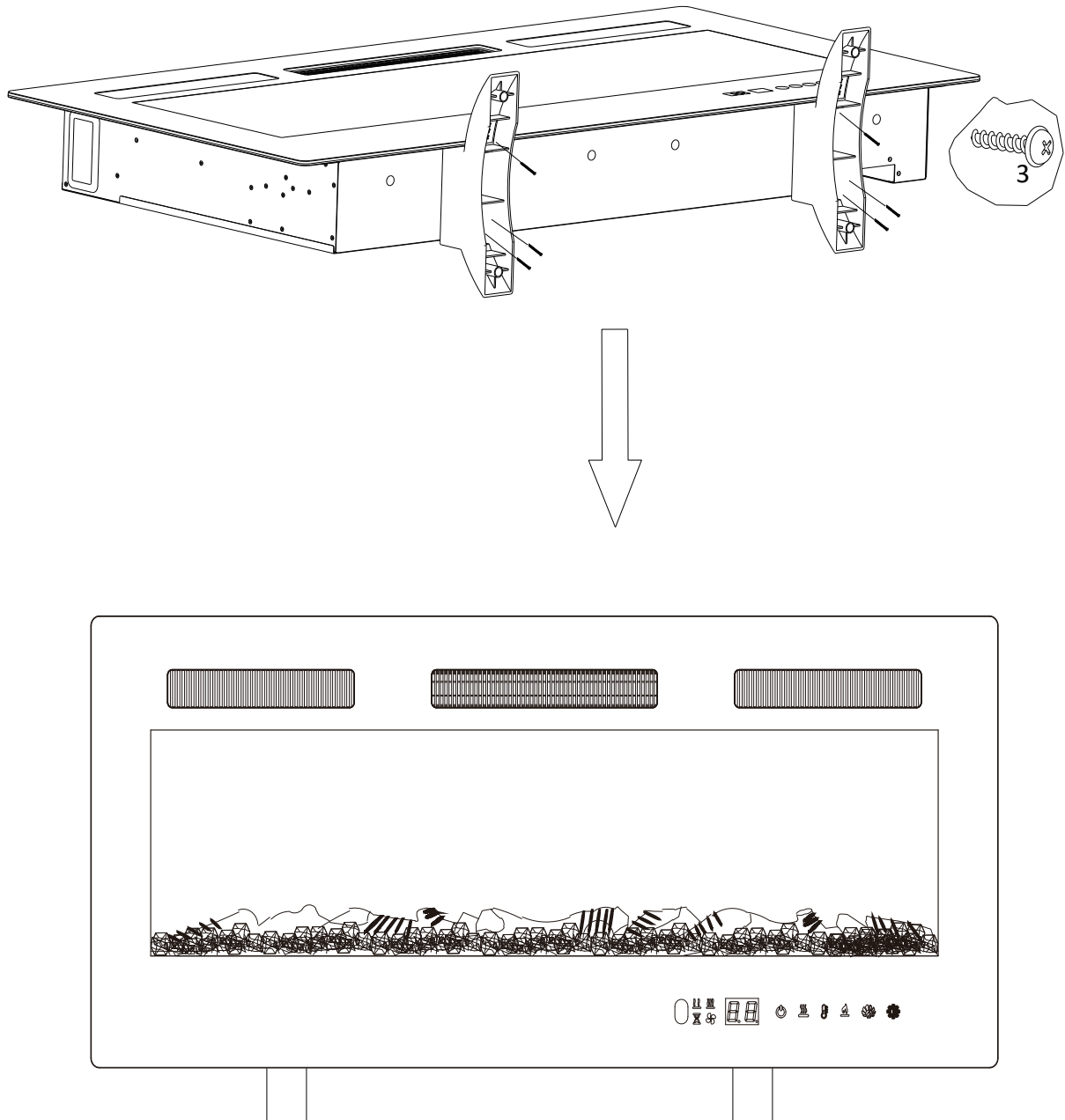


6. Carefully hang the fireplace onto bracket (E). Avoid tilting the fireplace to prevent the crystal embers (F) and driftwood log set (G) inside from shifting. Check the stability of the fireplace. Secure it further by inserting two self-tapping screws (4) through the small holes on both sides of bracket (E) and tighten them firmly. Ensure that the fireplace and bracket (E) are securely attached to the wall. Finally, remove the protective film from the glass panel.

Installation Option 2:

Free-Standing with Feet

1. Carefully remove the glass panel by unscrewing the screws on both sides, and keep it in a safe place for reinstallation. Next, take out the crystal embers (F) and driftwood log set (G), and arrange them evenly on the ember bed. Then reinstall the glass panel using two self-tapping screws (4) and the two original screws removed earlier. Ensure that the glass panel is securely fastened and will not fall off. Finally, remove the protective film from the glass.



2. Place the fireplace on a flat, stable, and clean surface. Remove the feet (D) and screws (3) from the box. Follow the diagram above to assemble the feet.

Installation Option 3:

Recessed into the Wall

Caution: Due to the variety of wall finishing materials, it is highly recommended that you consult your local contractor or builder before installing the fireplace into a wall.

Select a location that is not prone to moisture and is at least 36 inches (91 cm) away from combustible materials such as curtains, drapes, furniture, or bedding.

To prevent exposed insulation or vapor barriers from coming into contact with the fireplace, ensure the interior walls of the recessed cavity are properly finished with drywall (Sheetrock), just as you would finish any standard interior wall. This will help maintain the required clearance to combustibles within the wall cavity.

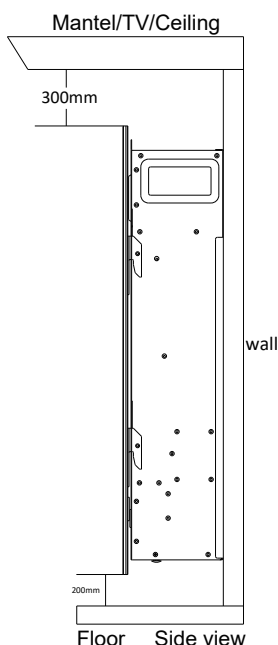
WARNING: Never install the fireplace into load-bearing walls. Recessed installation must be done in non-load-bearing walls only.

Installation Instructions:

1. Choose a Suitable Location.
2. Mark and Create the Wall Opening. Carefully measure and mark the wall opening where the fireplace will be recessed. The opening should be no more than 1/2 inch (12 mm) larger than the metal firebox portion of the fireplace on each side. Cut the wall opening using appropriate tools and safety precautions.
3. Measure the opening to ensure it matches the fireplace dimensions.

Minimum Clearance Requirements:

(Measurements are taken from the front surface of the glass panel)

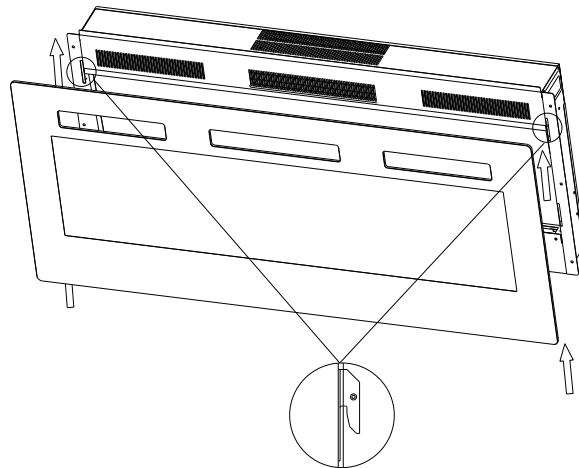


Bottom of Fireplace to Floor:	200mm
Sides of Fireplace:	0
Back of Fireplace:	0
Top of Fireplace:	300mm to mantel
Top of Fireplace:	300mm to TV
Top of Fireplace:	300mm to ceiling

Select a location that is not prone to moisture and is at least 36 inches (91 cm) away from combustible materials such as curtains, drapes, furniture, or bedding.

Removing the Glass Panel:

Remove the glass panel before installation by following the instructions below:



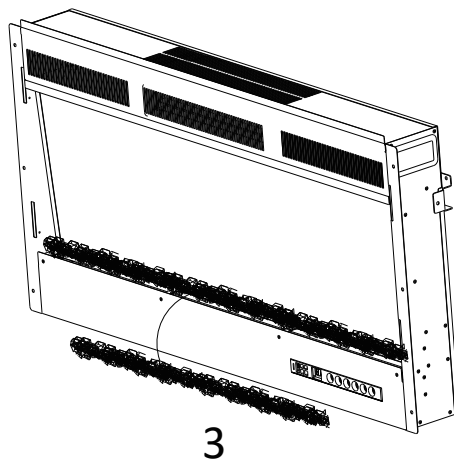
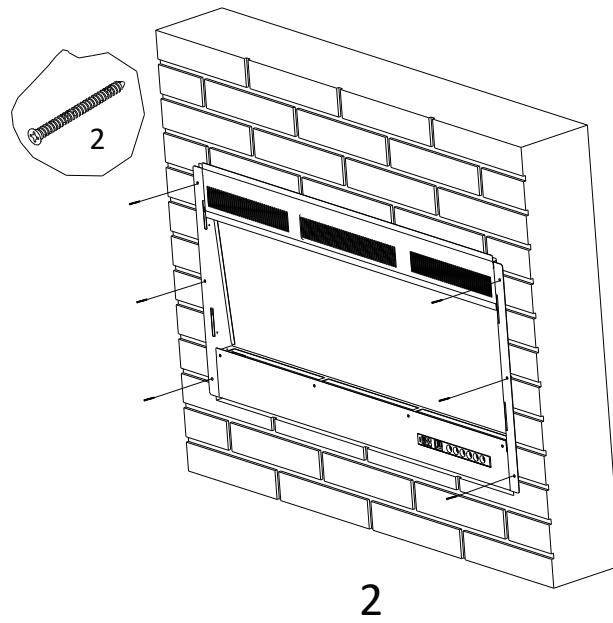
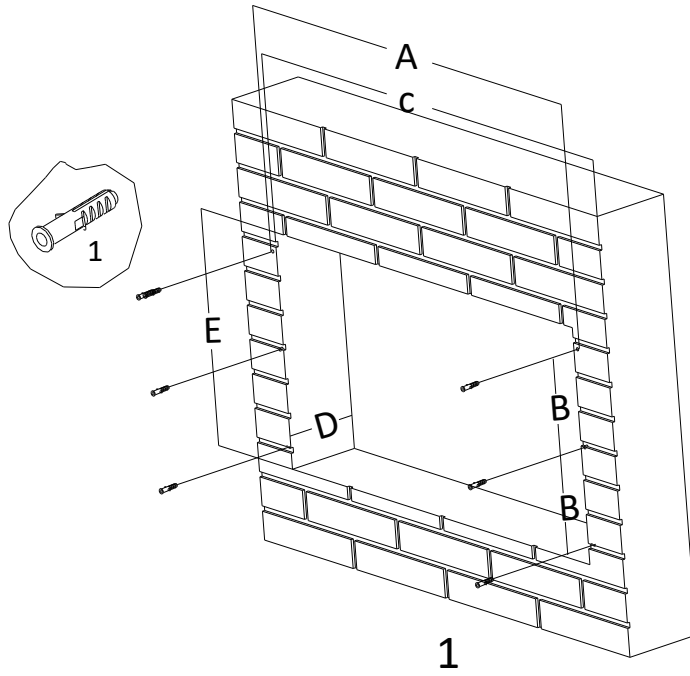
After removing the screws, the glass must be lifted up to be removed.

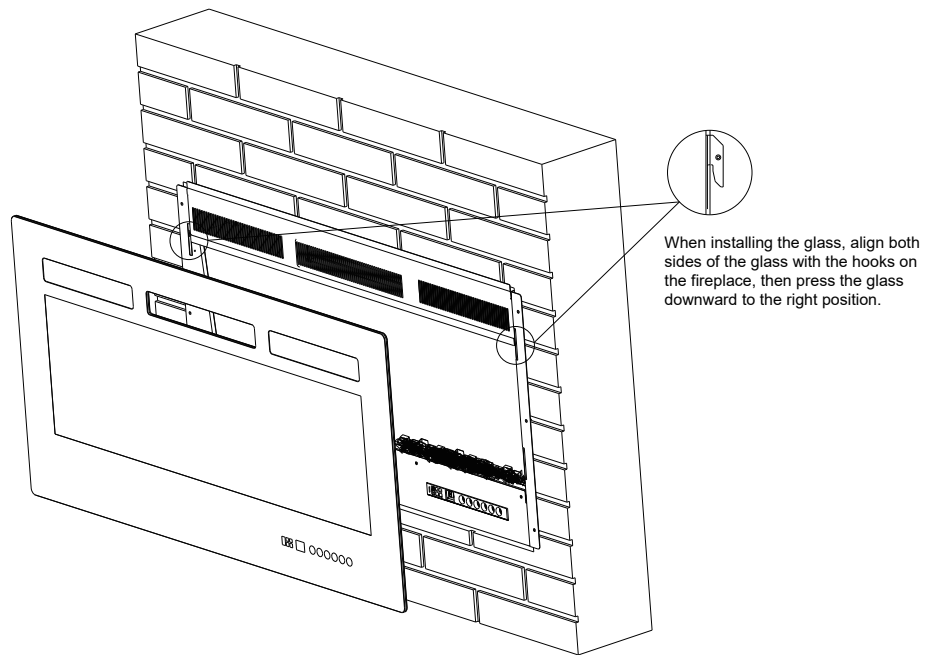
1. Stand the fireplace up, then remove the glass by unscrewing the screws on both sides and keep them safe. You will reuse it when installing the glass panel later.

FIC.1

Label Model	Length				
	A	B	C	D	E
BL-Q01-36IN	826mm	180mm	806mm	140mm	440mm
BL-Q01-42IN	989mm	180mm	958mm	140mm	440mm
BL-Q01-50IN	1182mm	180mm	1161mm	140mm	440mm
BL-Q01-60IN	1436mm	180mm	1415mm	140mm	440mm

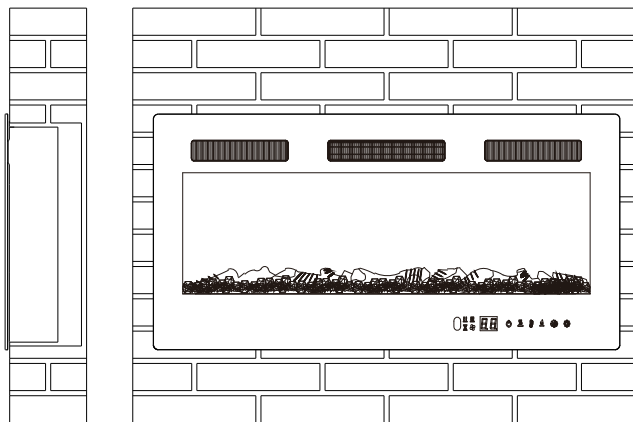
FIC.2





4

Take out the crystal embers (F) and driftwood log set (G), and arrange them evenly on the ember bed. Then reinstall the glass panel using two self-tapping screws (4) and the two original screws removed earlier. Ensure that the glass panel is securely fastened and will not fall off. Finally, remove the protective film from the glass.



CARE, CLEANING AND MAINTENANCE

Cleaning:

Always turn off the fireplace and unplug the power cord from the outlet before cleaning, performing maintenance, or moving the fireplace. Failure to do so may result in electric shock, fire, or personal injury.

Never immerse the fireplace in water or spray it with water.

Metal:

Buff the metal trim using a soft cloth slightly dampened with a citrus oil-based product. Do not use brass polish or household cleaners, as these may damage the metal finish.

Glass:

Clean the glass panel using a high-quality glass cleaner sprayed onto a soft cloth or towel. Dry thoroughly with a paper towel or lint-free cloth.

Do not use abrasive cleaners, liquid sprays applied directly to the glass, or any product that may scratch the surface.

Vents:

Use a vacuum cleaner with a brush attachment or a soft duster to remove dust and debris from the fireplace's intake and exhaust vents.

Plastic:

Wipe plastic surfaces gently with a soft cloth slightly dampened with a mild solution of dish soap and warm water.

Do not use abrasive cleaners, liquid sprays, or any product that could scratch the surface.

Maintenance:

Risk of Electric Shock!

Do not open any panels. There are no user-serviceable parts inside.

Always turn the fireplace off and unplug the power cord from the outlet before cleaning, performing maintenance, or moving the fireplace.

Failure to do so may result in electric shock, fire, or personal injury.

Electrical and Moving Parts:

The fan motors are pre-lubricated at the factory and do not require additional lubrication. Electrical components are integrated into the fireplace and are not intended to be serviced by the user.

Storage:

Unplug the fireplace when not in use and store it in a clean, dry place.

