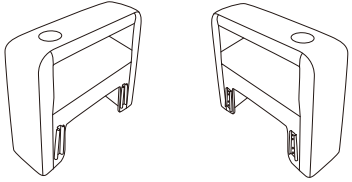


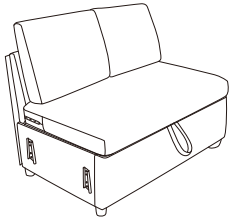
If you have any advice or problem  
please contact us:[wxservice@5xfuture.com](mailto:wxservice@5xfuture.com)

# Multiple Combinations Available Based on Your Purchase

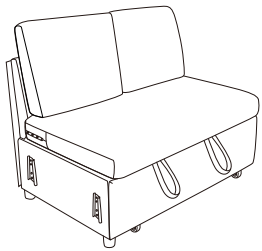
Box-A



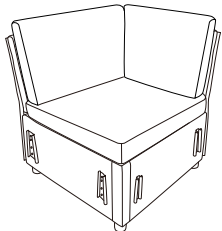
Box-B



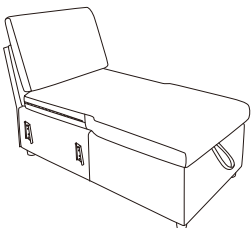
Box-C



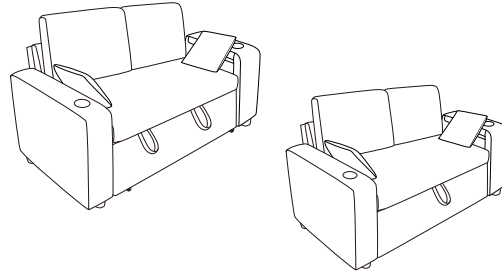
Box-D



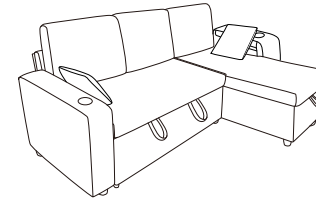
Box-E



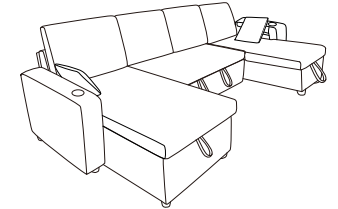
Configuration 1 A+C A+B (pp.23)



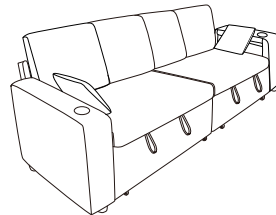
Configuration 2: A+C+E (pp.24)



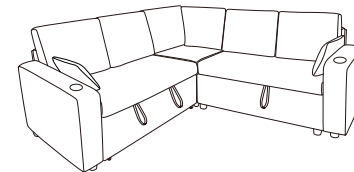
Configuration 3: A+C+E+E (pp.25)



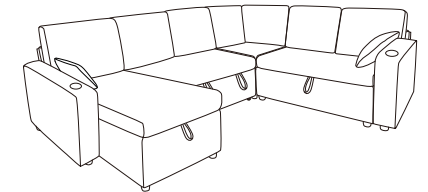
Configuration 4: A+C+C (pp.26)



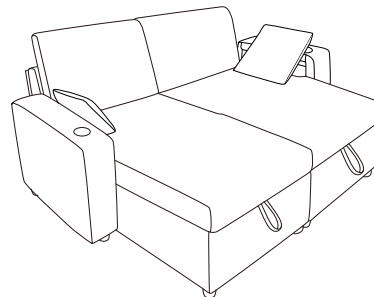
Configuration 5: A+B+C+D (pp.27)



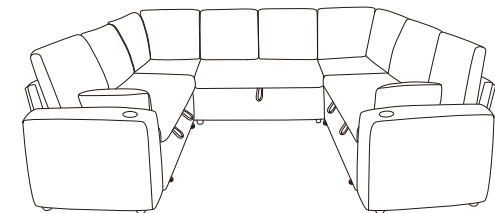
Configuration 6: A+B+C+D+E (pp.28)



Configuration 7: A+E+E (pp.29)



Configuration 8: A+B+C+C+D+D (pp.30)





Box-A

- A-L Facing left arm x1
- Y Pillow x2
- C Feet x4
- A-R Facing right armrest x1
- F Charger x2

Box-B

- H Back Frame x1
- K pull out seat cushion x1
- C Feet x4
- O Seaf Frame x1
- M Back Cushion x2

Box-C

- H Back Frame x1
- L pull out seat cushion x1
- C Feet x4
- I Seaf Frame x1
- N Pull out sofa tray frame x1
- E Universal wheel x4
- M Back Cushion x2
- K pull out seat cushion x1

Box-D

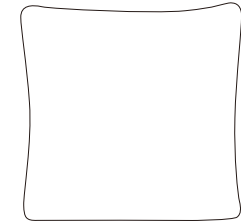
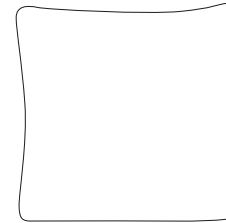
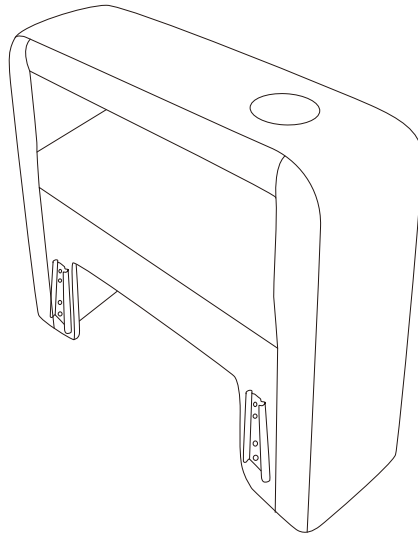
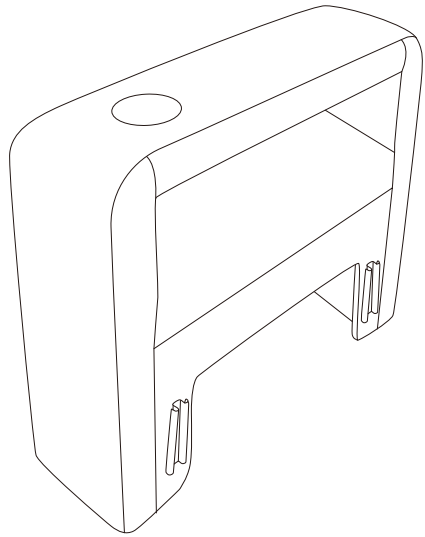
- T Back Frame x2
- S Seat Cushion x1
- C Feet x4
- P Seaf Frame x1
- Q Back Cushion x1
- R Back Cushion x1

Box-E

- U Back Frame x1
- W Seat Cushion x1
- C Feet x4
- V Seaf Frame x1
- Z Back Cushion x1

wxservice@5xfuture.com

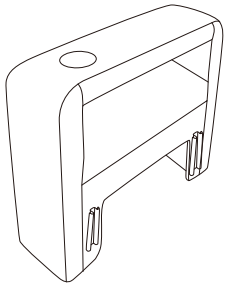
# How to Install Box-A



# Components List

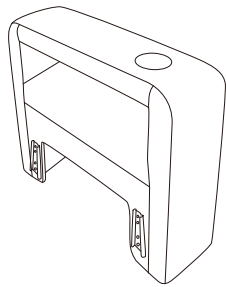


(A-L)



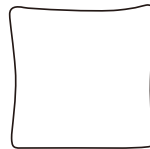
1pc

(A-R)



1pc

(Y)



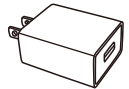
2pcs

(C)



4pcs

(F)

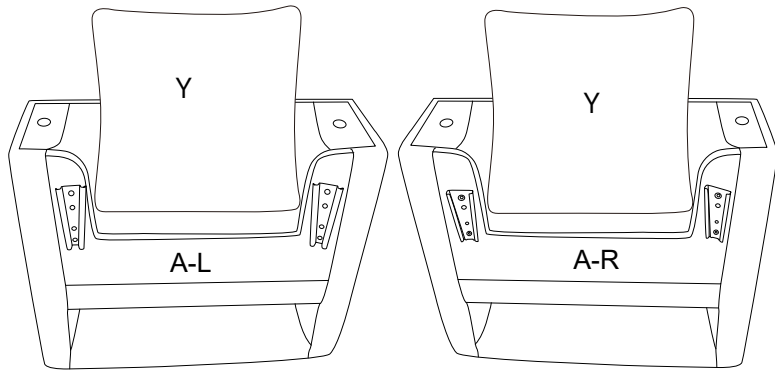


2pcs

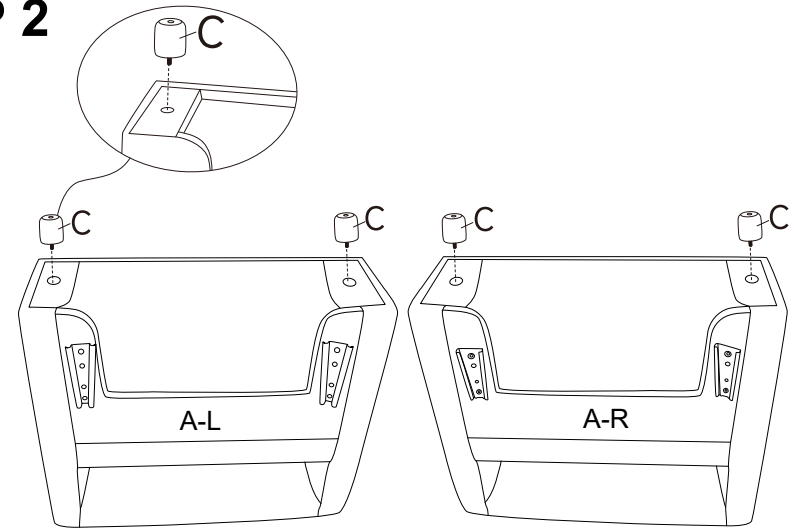


wxservice@5xfuture.com

# STEP 1

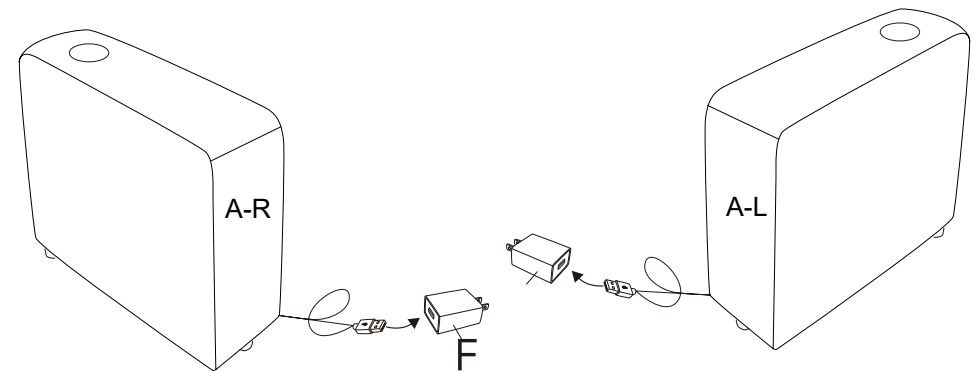
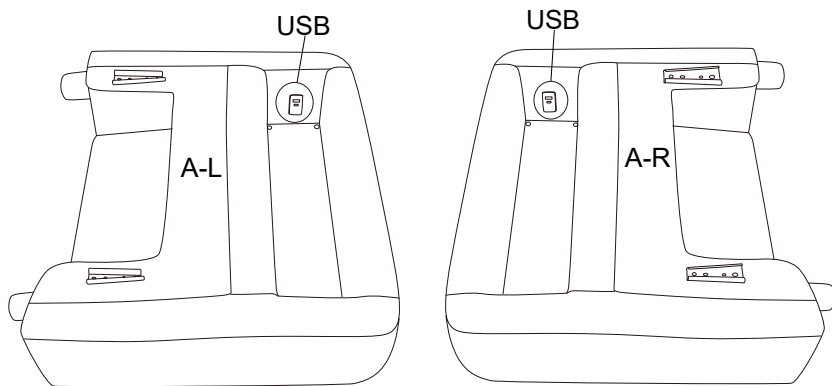


# STEP 2



 Cx4

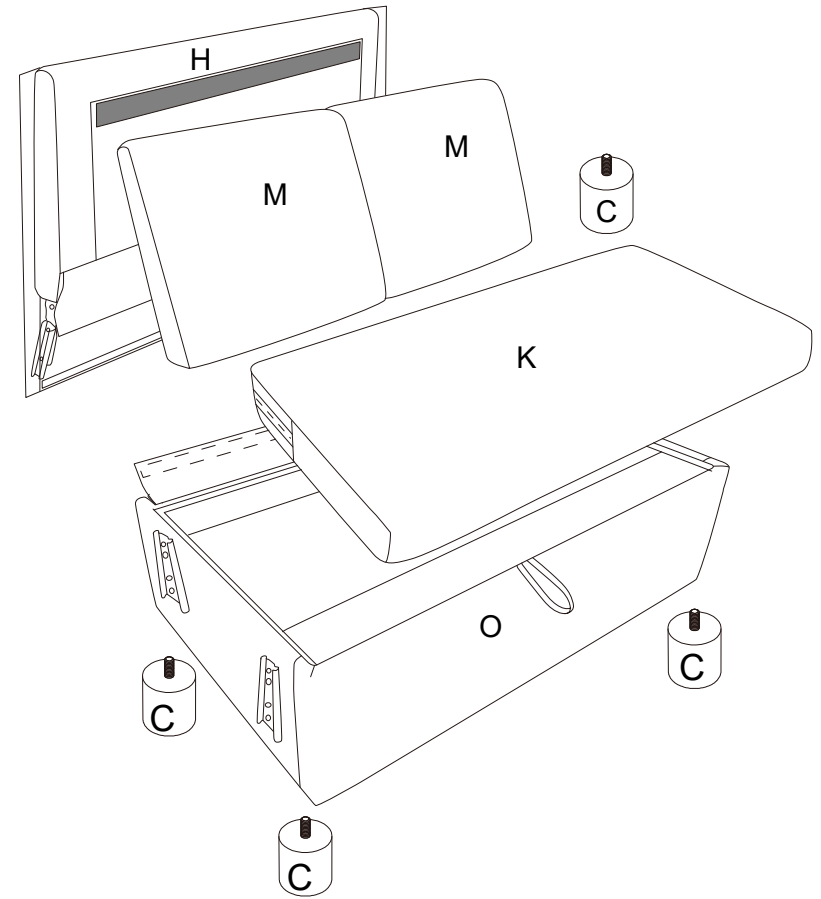
# STEP 3



 Fx2

Please connect the armrest plug board to the power cord.

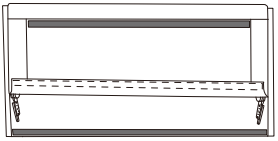
# How to Install Box-B



# Components List

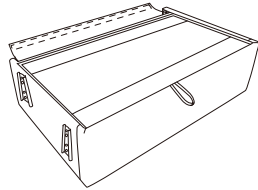


H



1pc

O



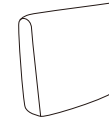
1pc

k



1pc

M



2pcs

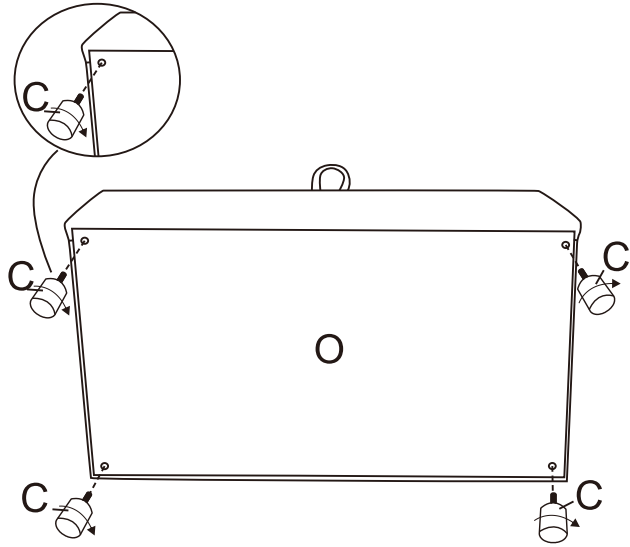
C



4pcs

 [wxservice@5xfuture.com](mailto:wxservice@5xfuture.com)

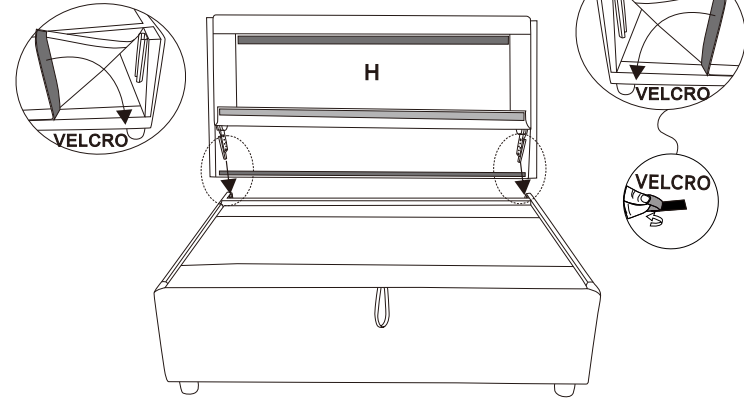
# STEP 1



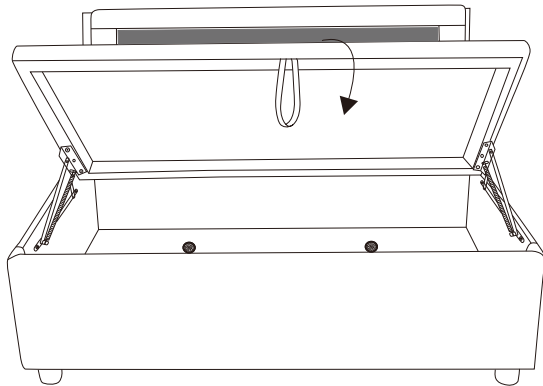
Cx4

# STEP 2

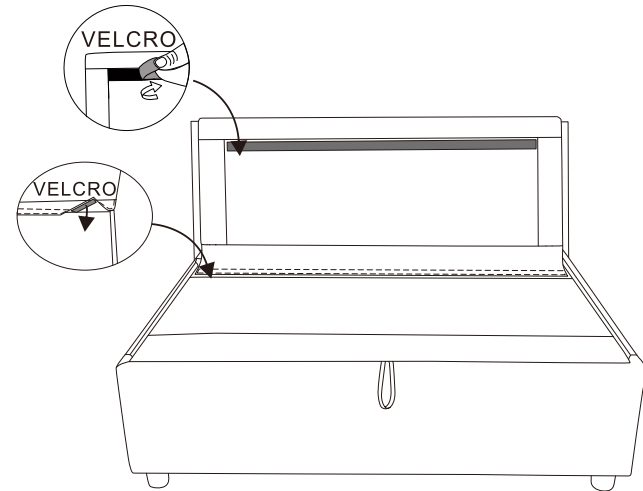
Align the insert piece and insert it horizontally.



# STEP 3

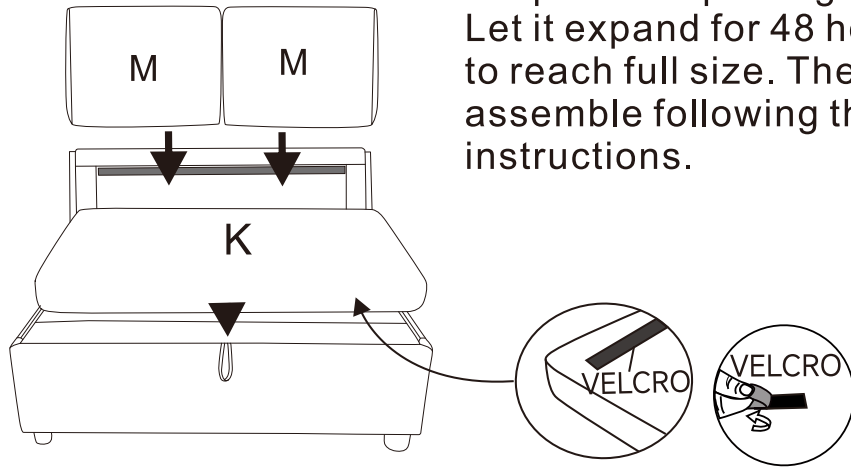


# STEP 4



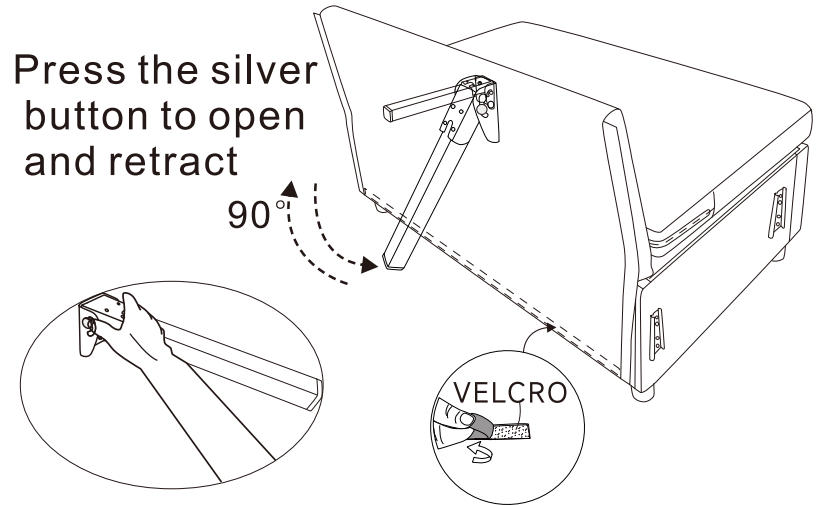
## STEP 5

Take the cushion out of the compression package. Let it expand for 48 hours to reach full size. Then assemble following the instructions.



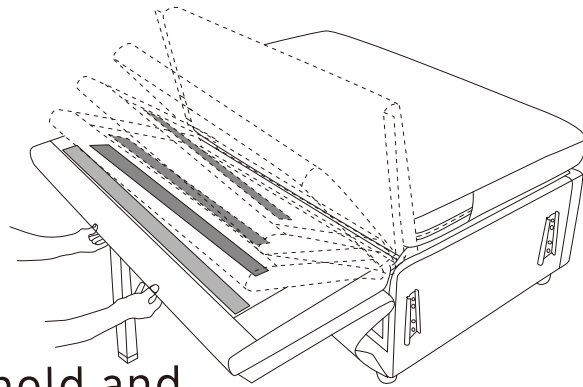
## STEP 6

Press the silver button to open and retract

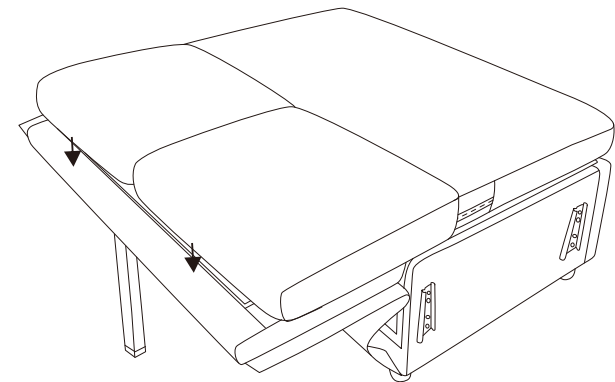


## STEP 7

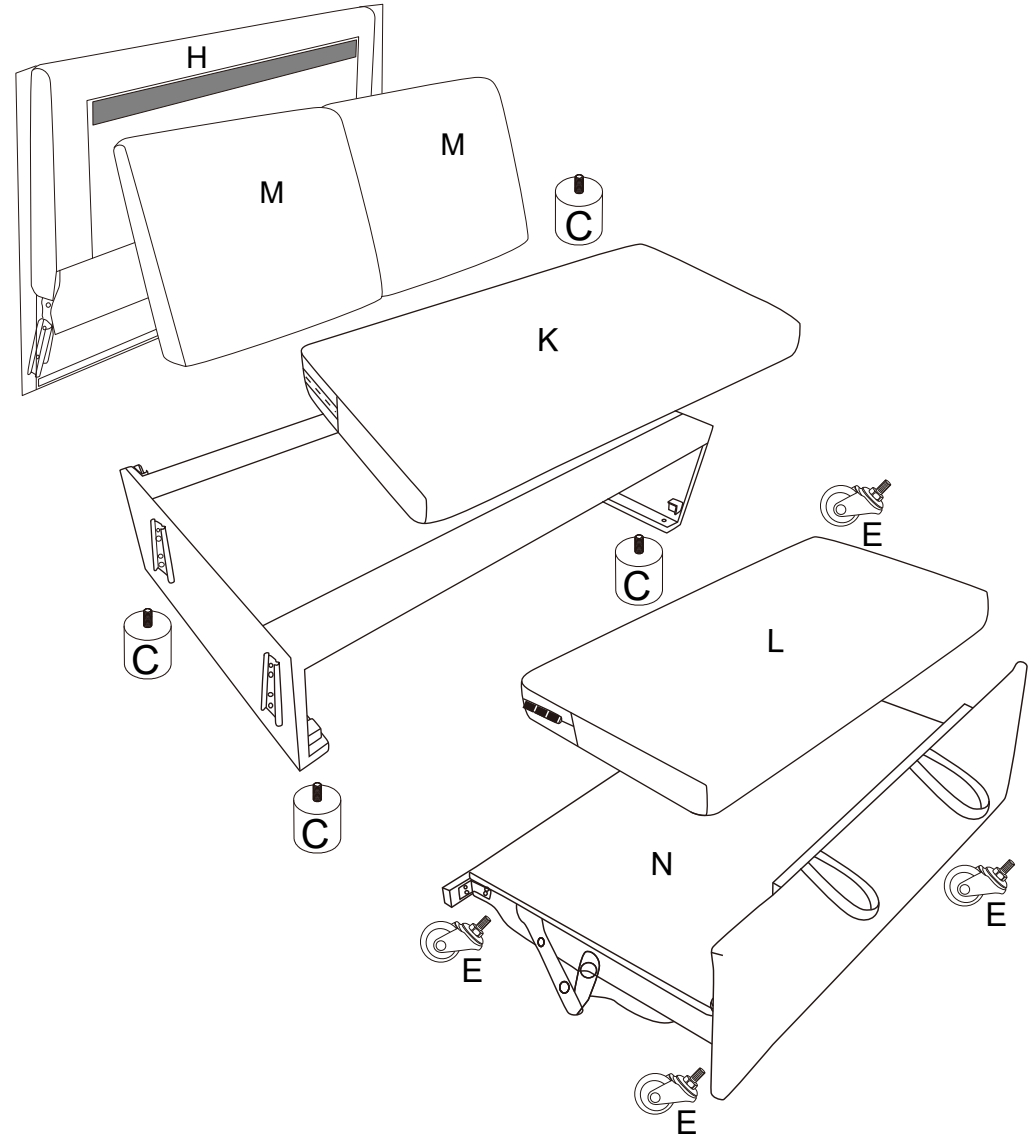
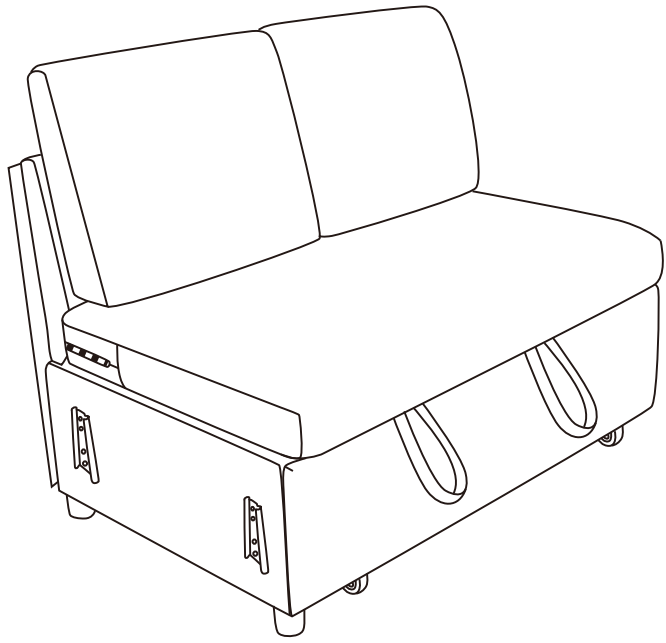
Please hold and adjust the gear with both hands.



## STEP 8



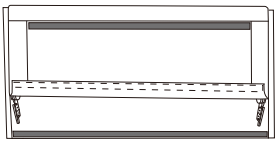
# How to Install Box-C



# Components List

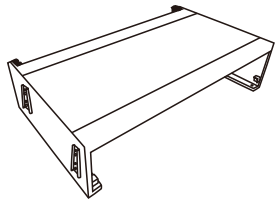


H



1pc

I



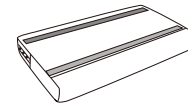
1pc

K



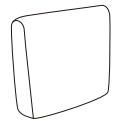
1pc

L



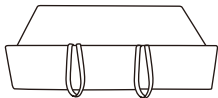
1pc

M



2pcs

N



1pc

C



4pcs

E

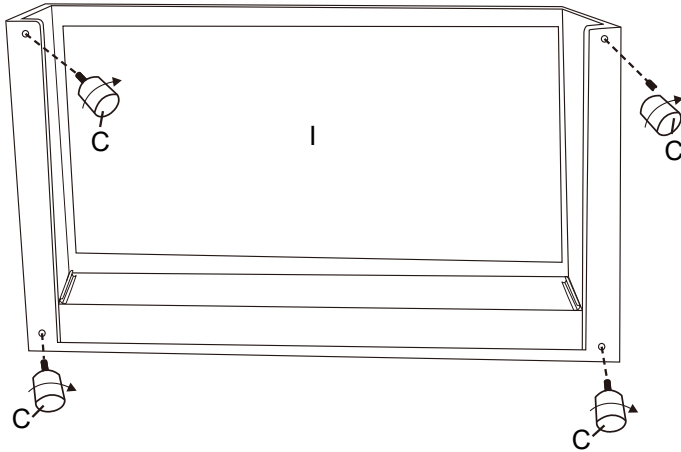


4pcs



wxservice@5xfuture.com

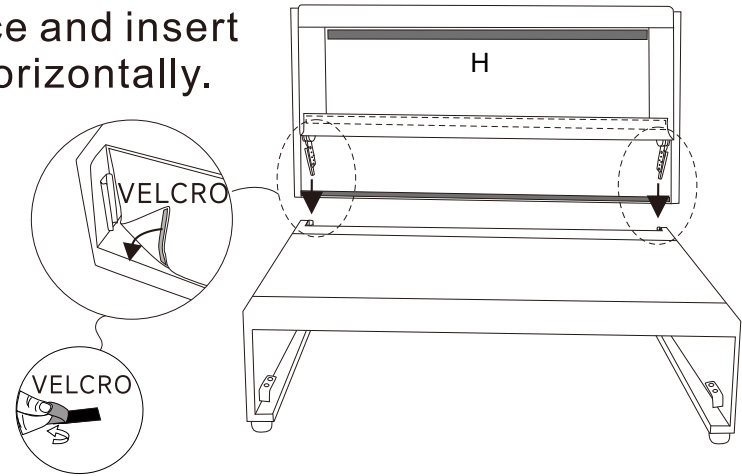
## STEP 1



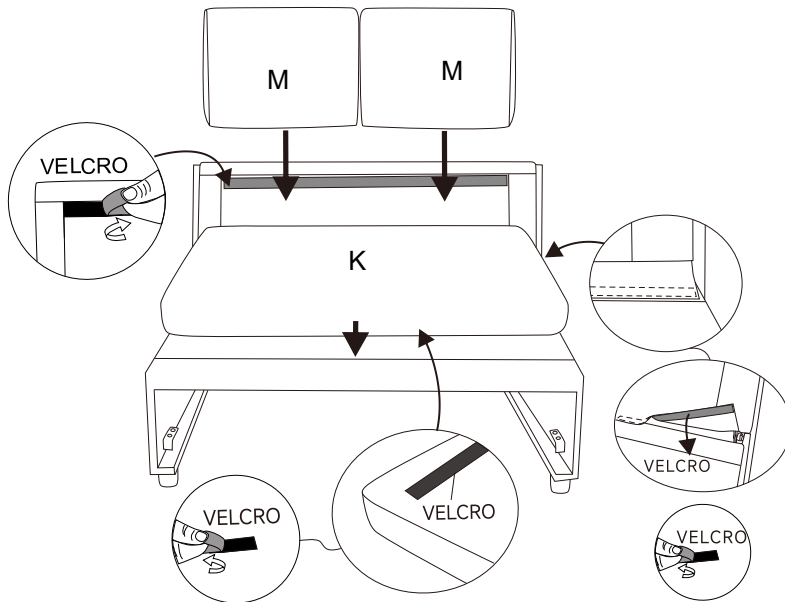
Cx4

## STEP 2

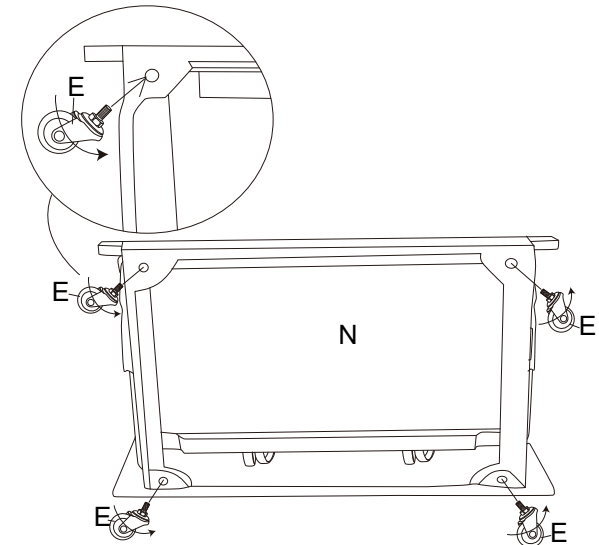
Align the insert piece and insert it horizontally.



## STEP 3

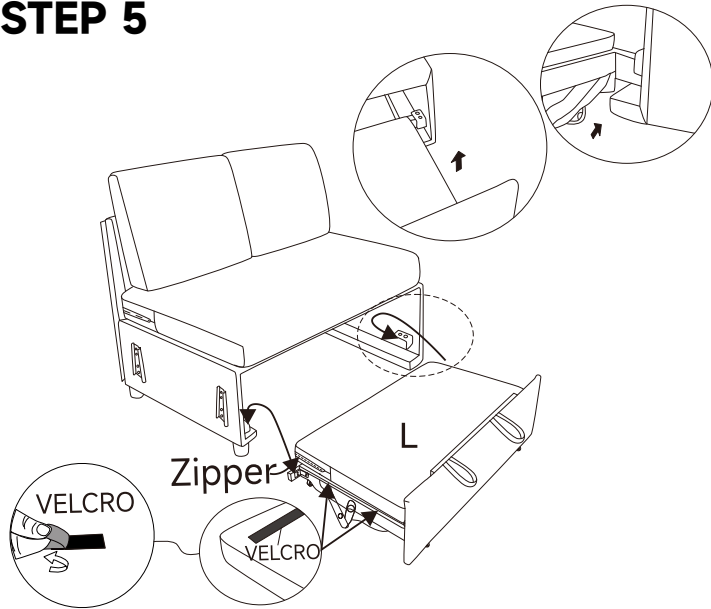


## STEP 4

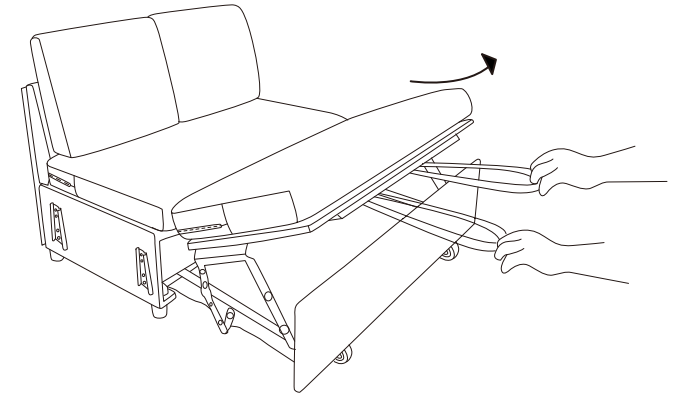
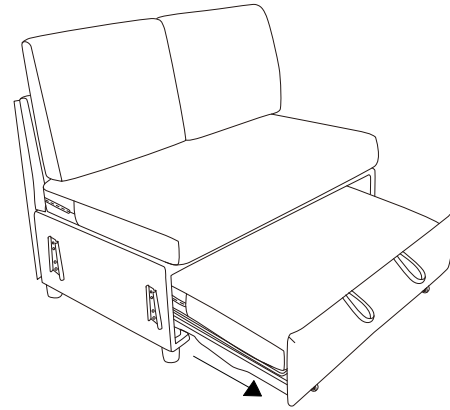


EX4

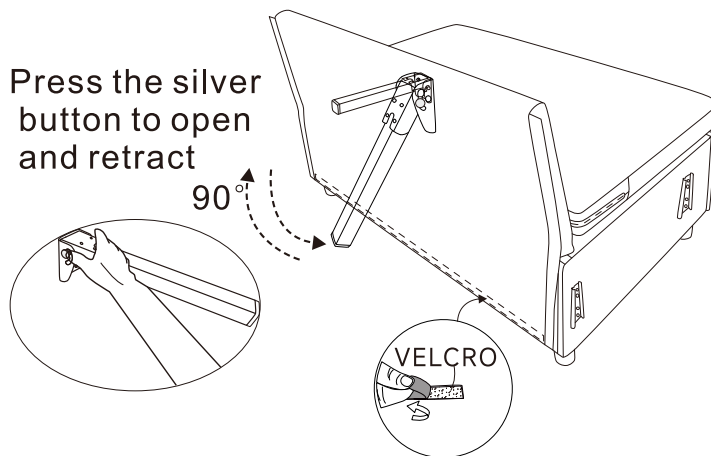
### STEP 5



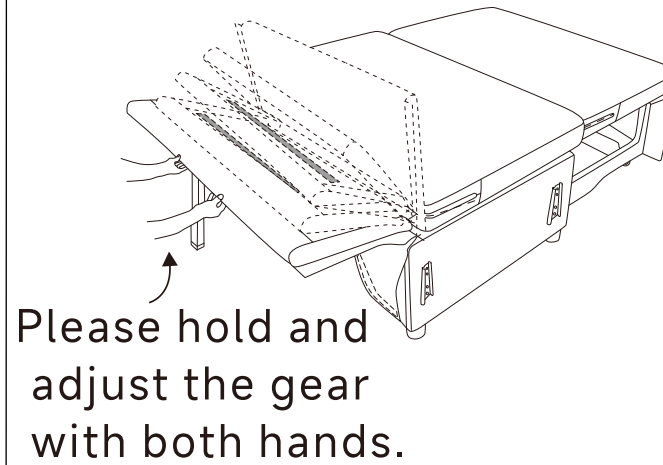
### STEP 6



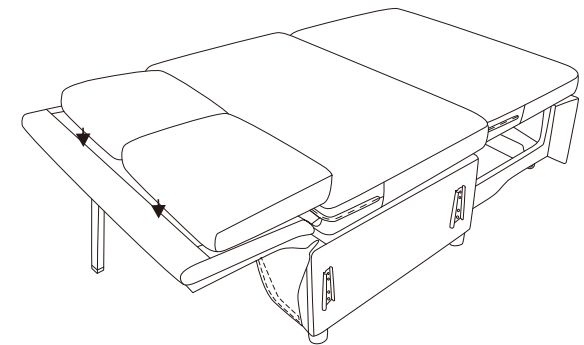
### STEP 7



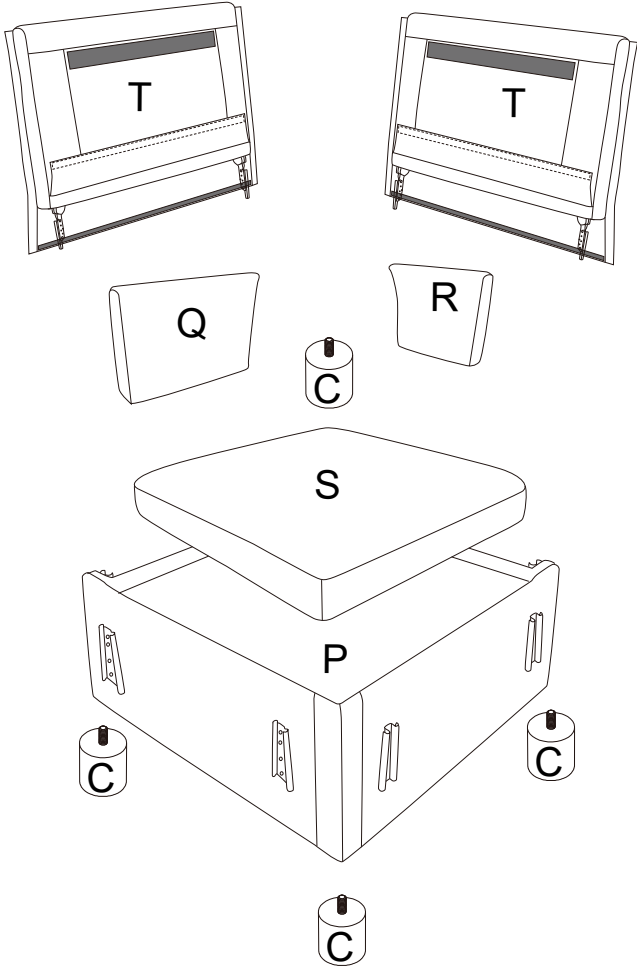
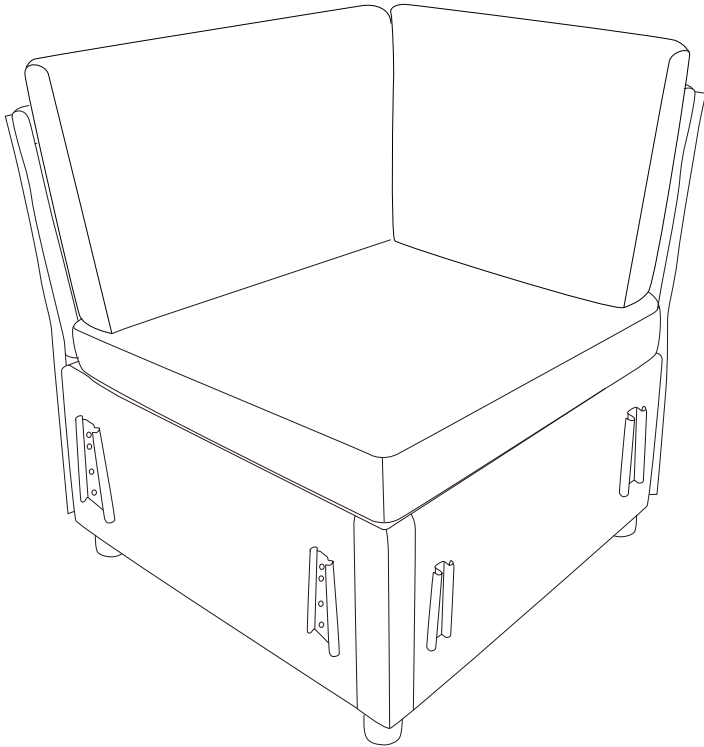
### STEP 8



### STEP 9



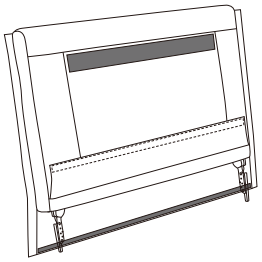
# How to Install Box-D



# Components List

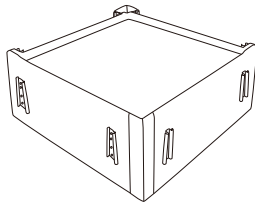


T



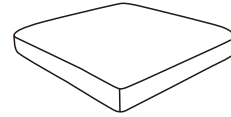
2pcs

P



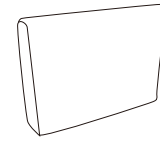
1pc

S



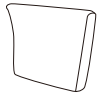
1pc

Q



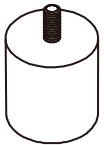
1pc

R



1pc

C

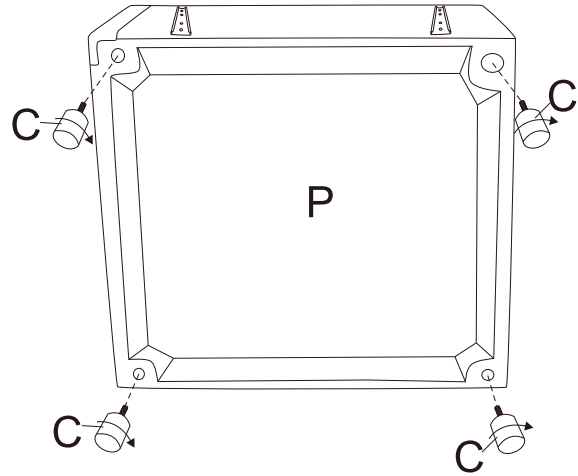


4pcs



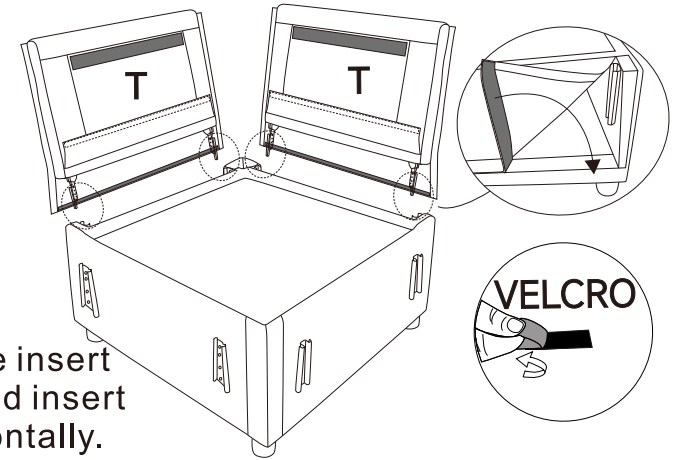
wxservice@5xfuture.com

## STEP 1



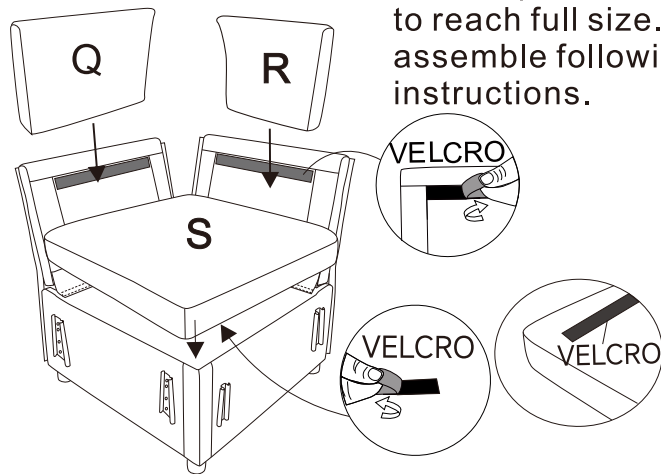
Cx4

## STEP 2



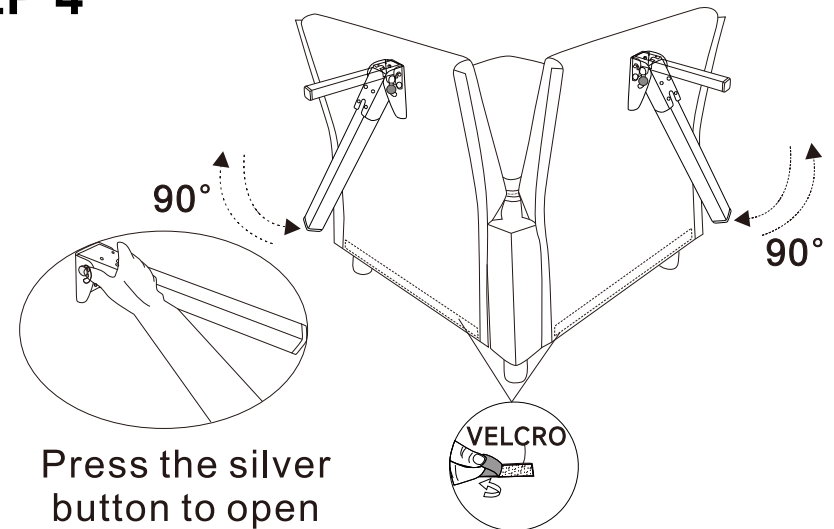
Align the insert piece and insert it horizontally.

## STEP 3



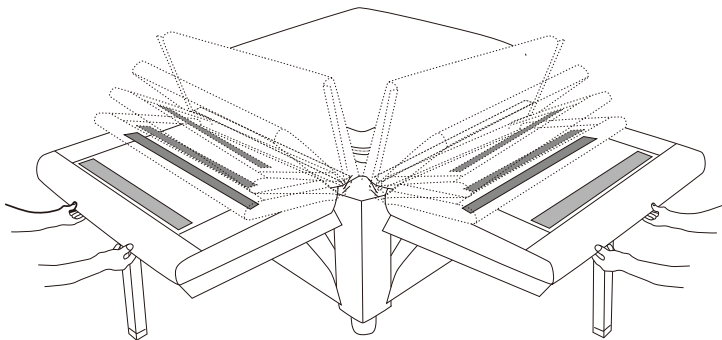
Take the cushion out of the compression package. Let it expand for 48 hours to reach full size. Then assemble following the instructions.

## STEP 4



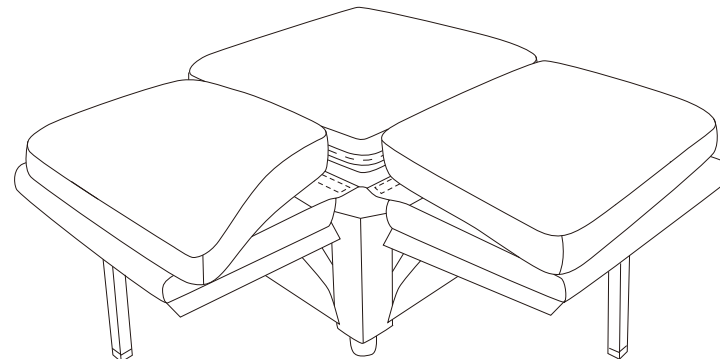
Press the silver button to open and retract

## STEP 5

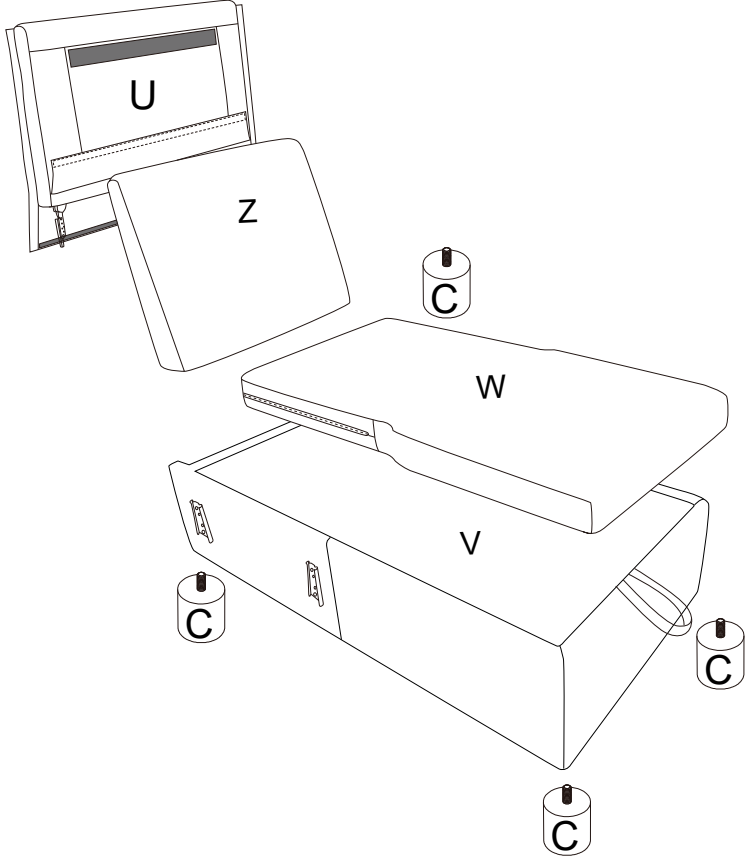


Please hold and  
adjust the gear  
with both hands.

## STEP 6



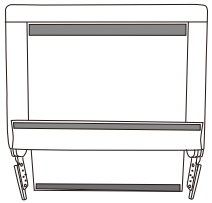
# How to Install Box-E



# Components List

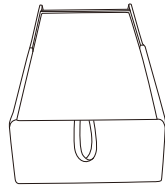


U



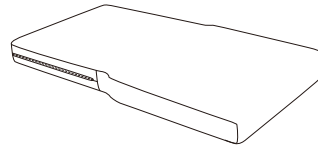
1pc

V



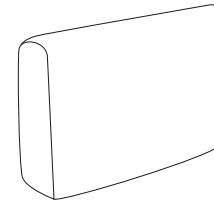
1pc

W



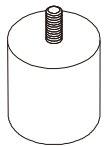
1pc

Z



1pc

C

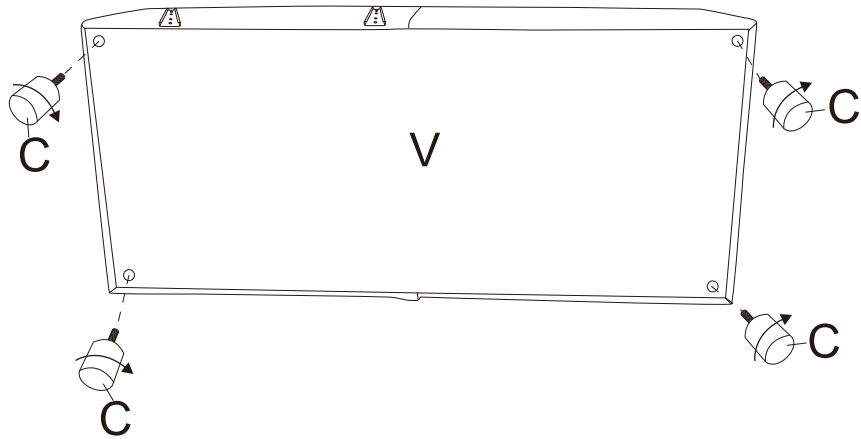


1pc



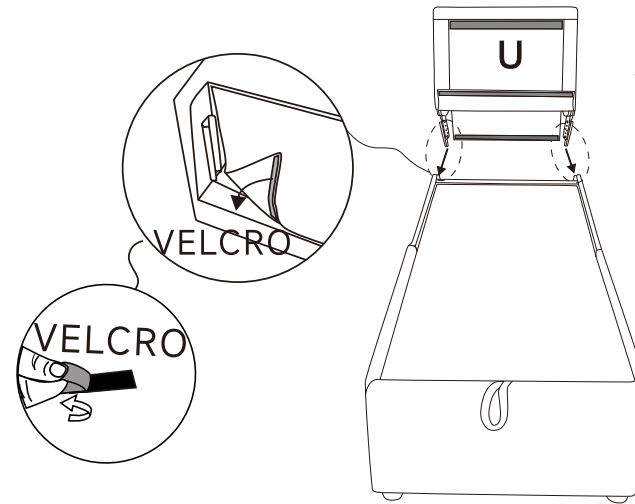
wxservice@5xfuture.com

## STEP 1



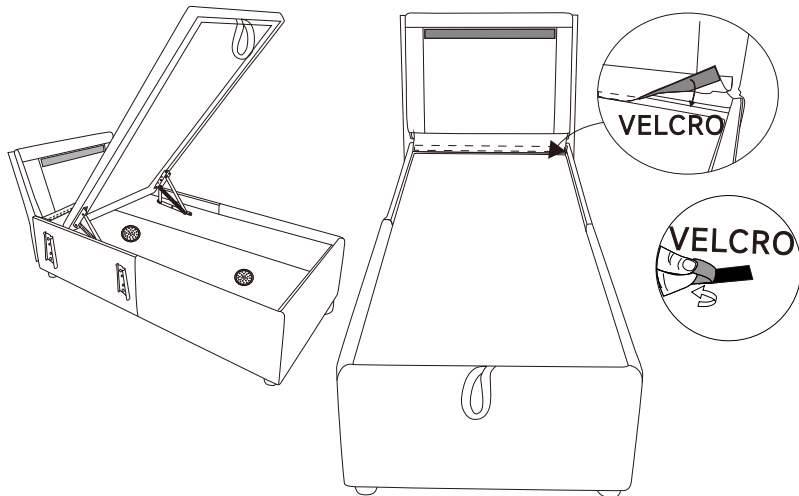
Cx4

## STEP 2

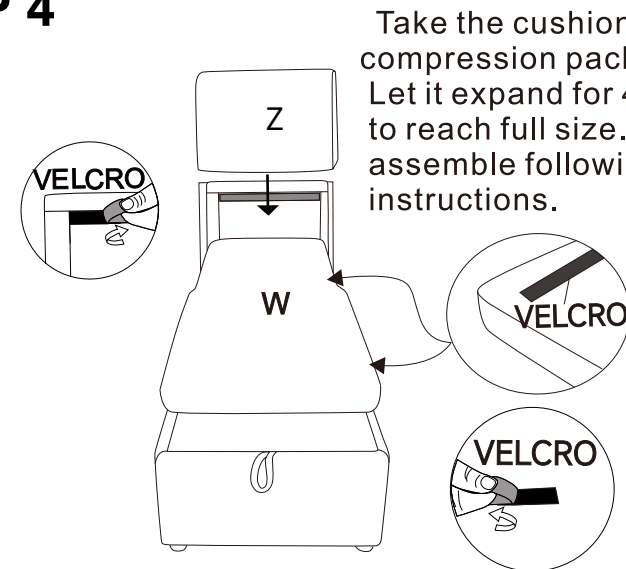


Align the insert piece and insert it horizontally.

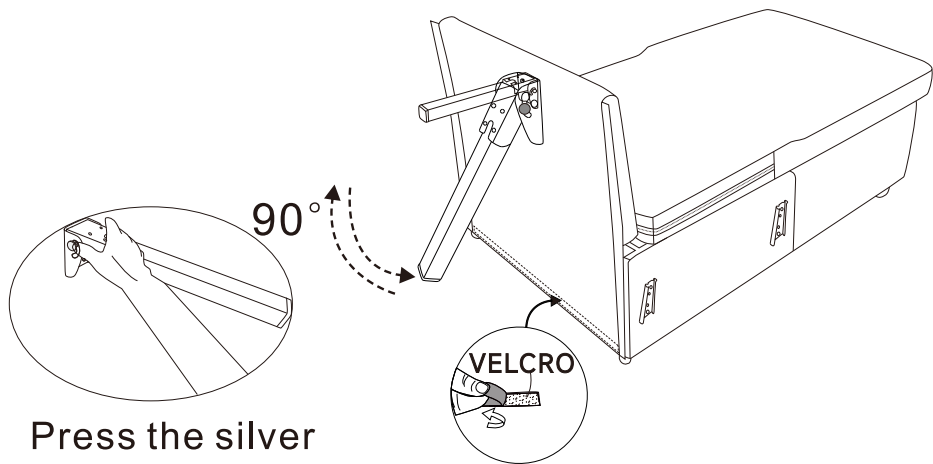
## STEP 3



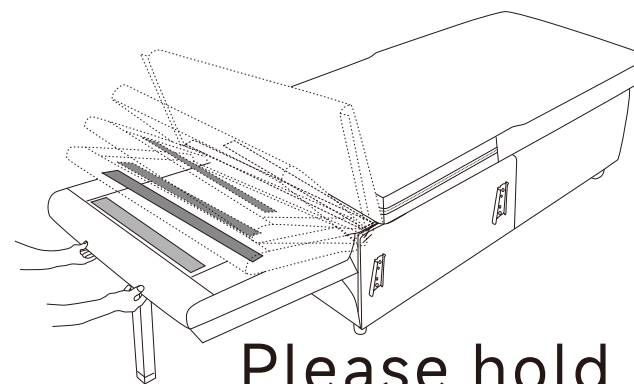
## STEP 4



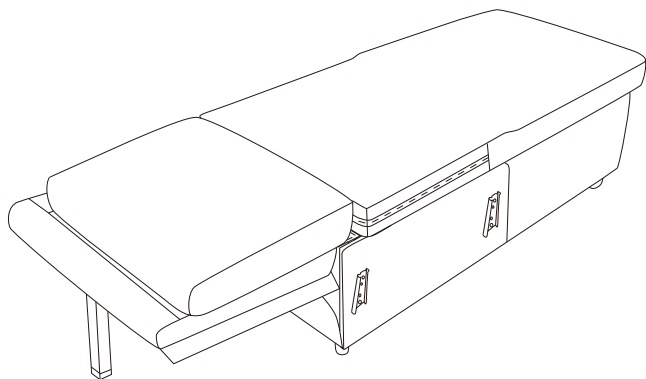
Take the cushion out of the compression package. Let it expand for 48 hours to reach full size. Then assemble following the instructions.



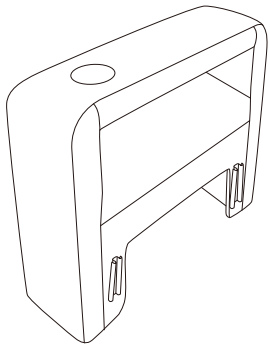
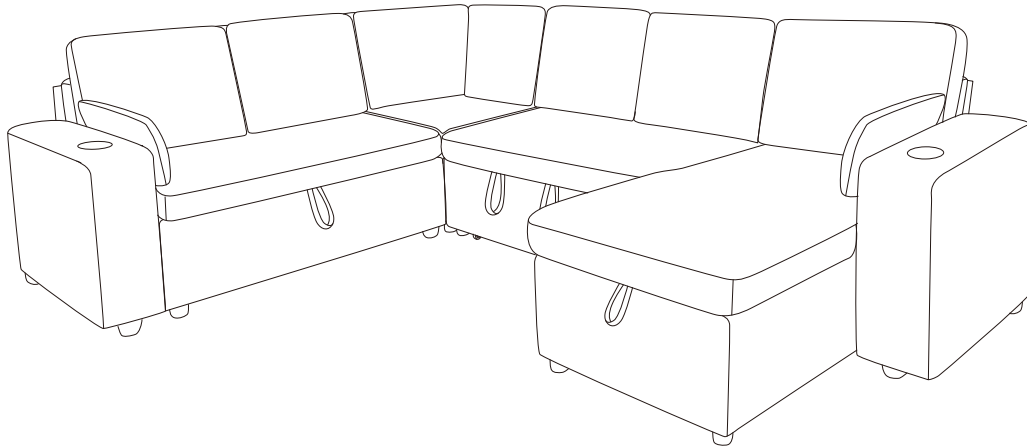
Press the silver button to open and retract



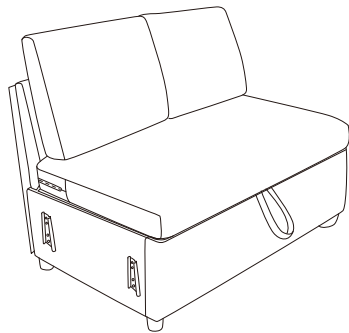
Please hold and adjust the gear with both hands.



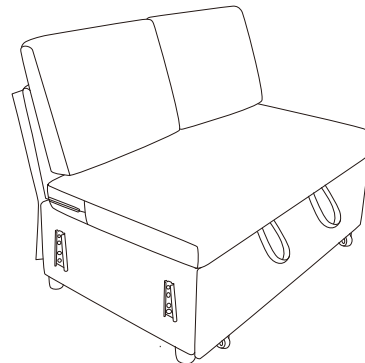
# How to connect A B C D E components



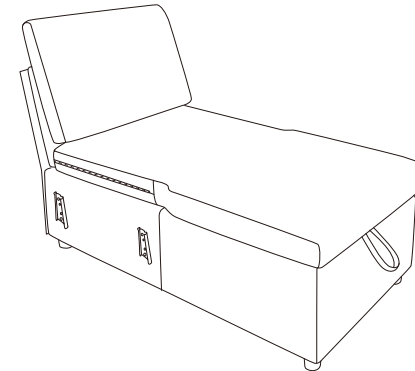
**A**



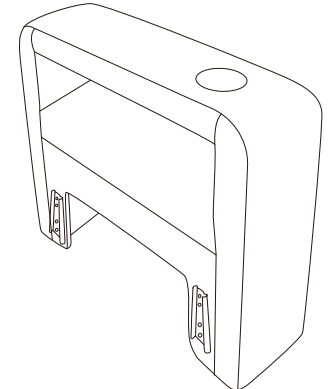
**B**



**C**



**D**



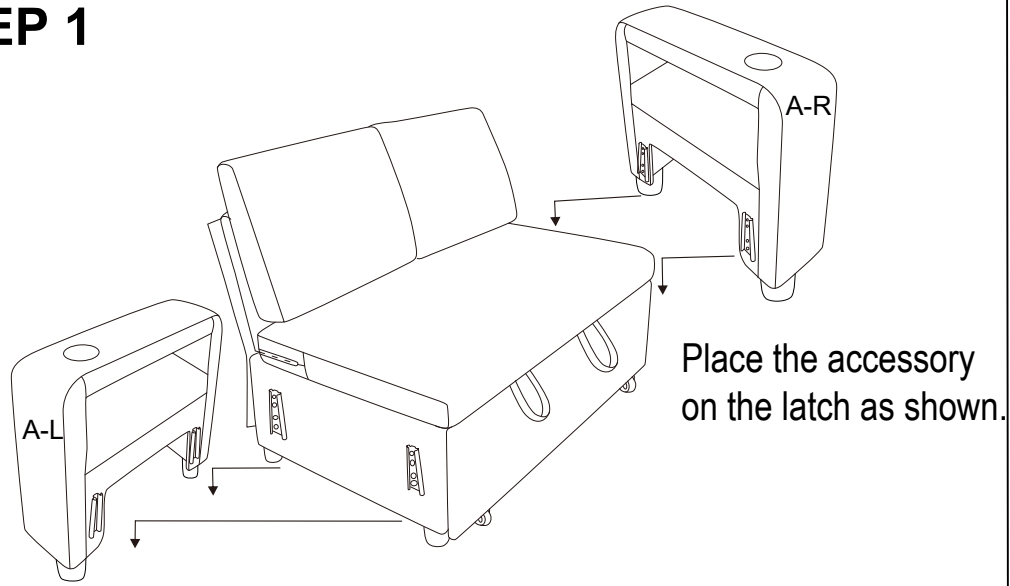
**E**

**A**

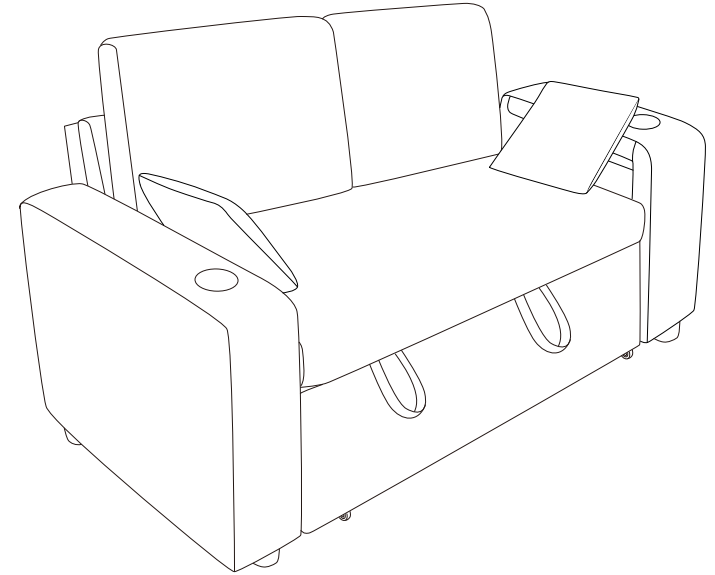
If you have any advice or problem  
please contact us: [wxservice@5xfuture.com](mailto:wxservice@5xfuture.com)

# Configuration1 A+C

**STEP 1**

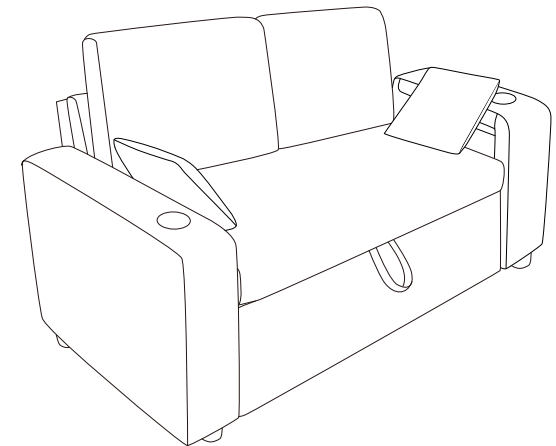
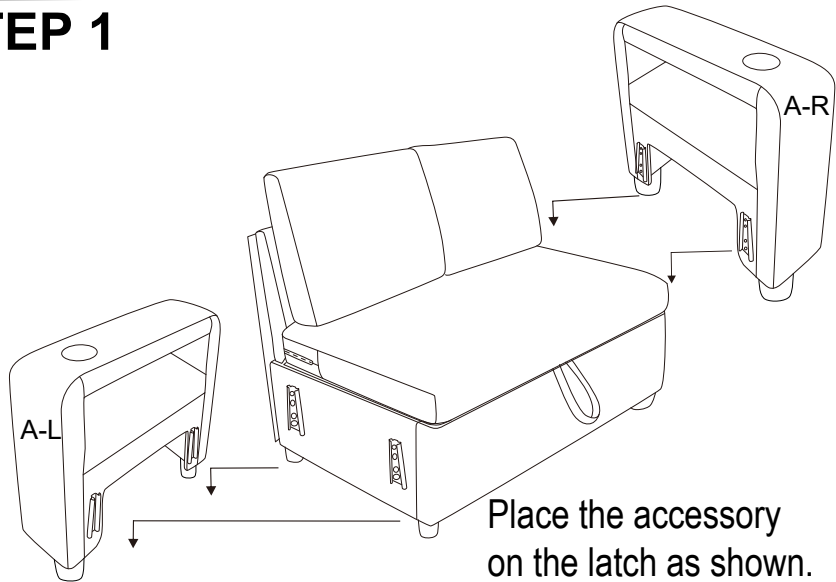


**STEP 2**



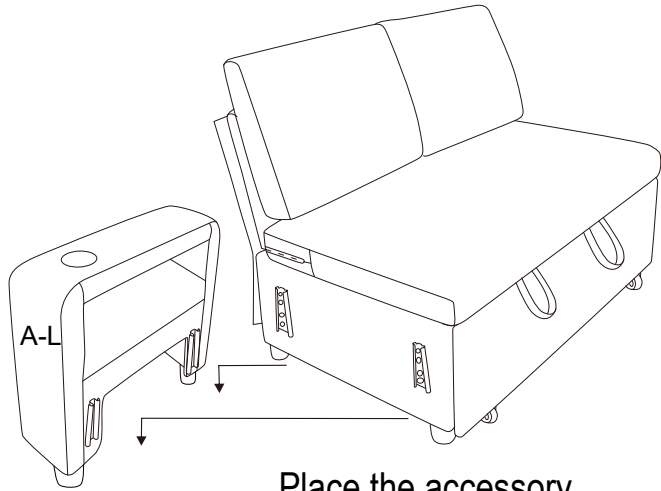
# Configuration1 A+B

**STEP 1**



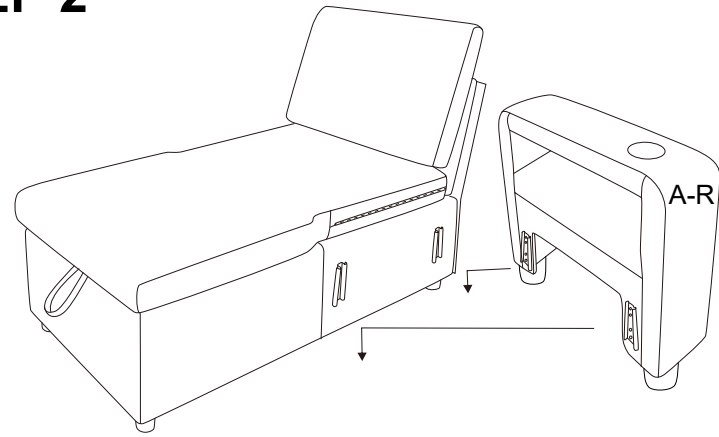
# Configuration2 A+C+E

## STEP 1



Place the accessory on the latch as shown.

## STEP 2



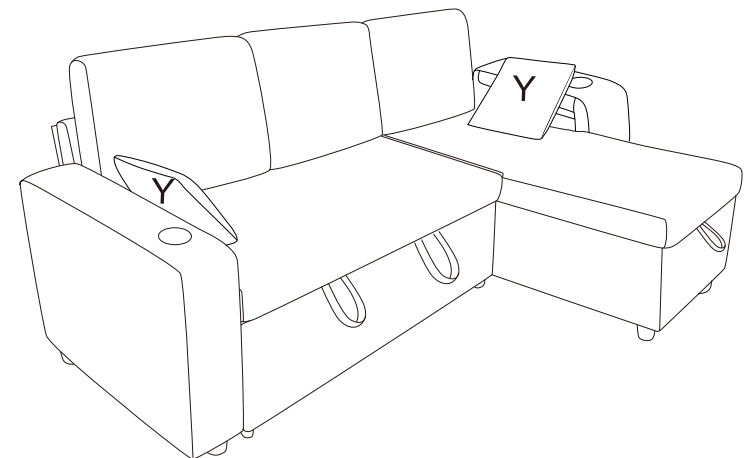
Place the accessory on the latch as shown.

## STEP 3



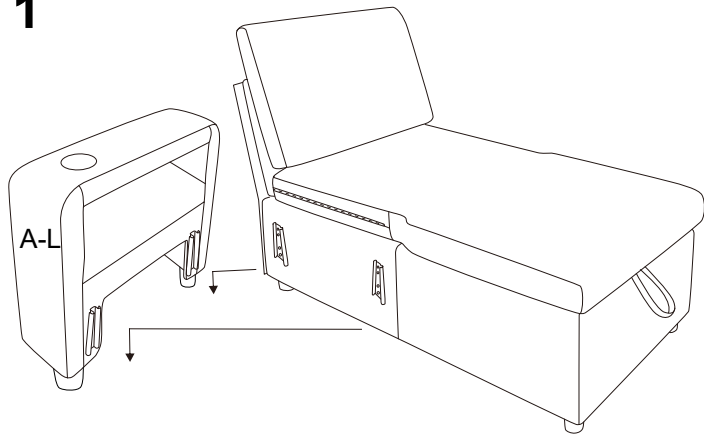
Place the accessory on the latch as shown.

## STEP 4



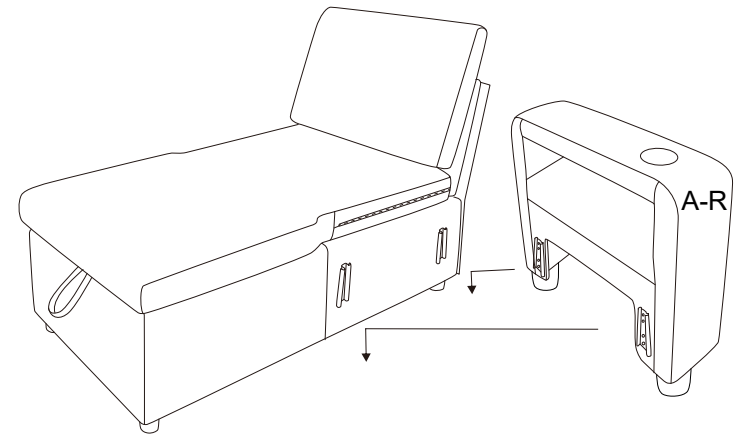
# Configuration3 A+C+E+E

## STEP 1



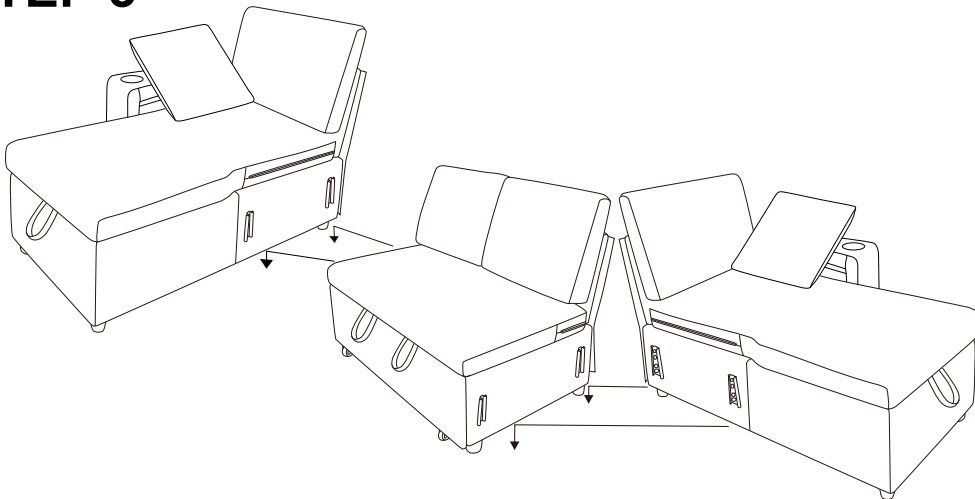
Place the accessory  
on the latch as shown.

## STEP 2



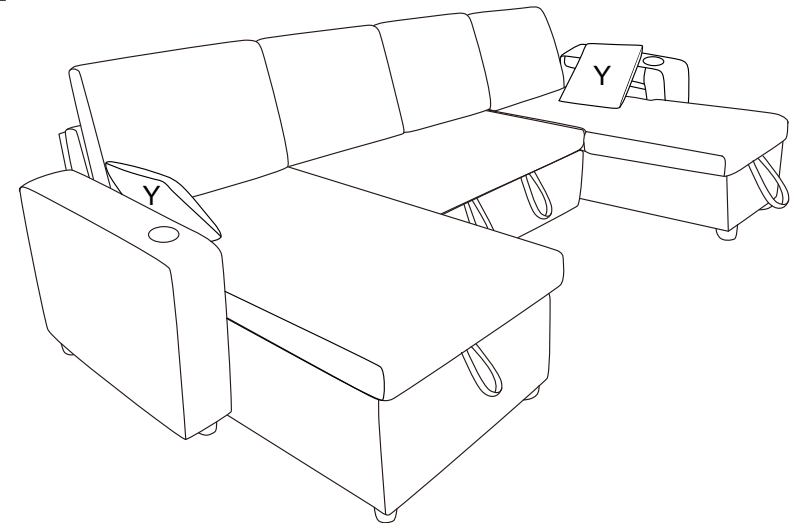
Place the accessory  
on the latch as shown.

## STEP 3



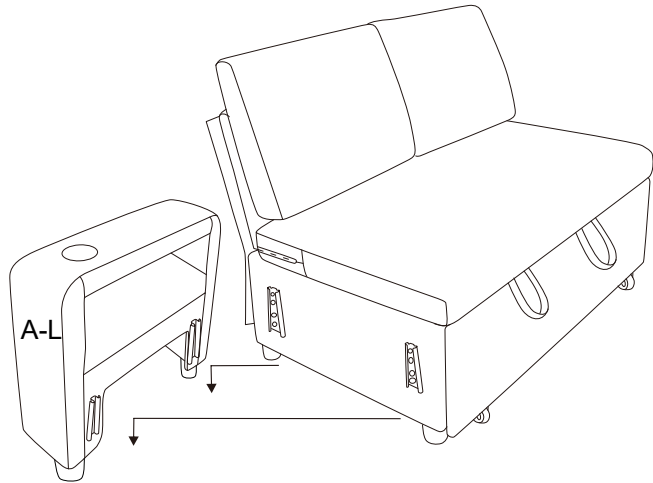
Place the accessory  
on the latch as shown.

## STEP 4



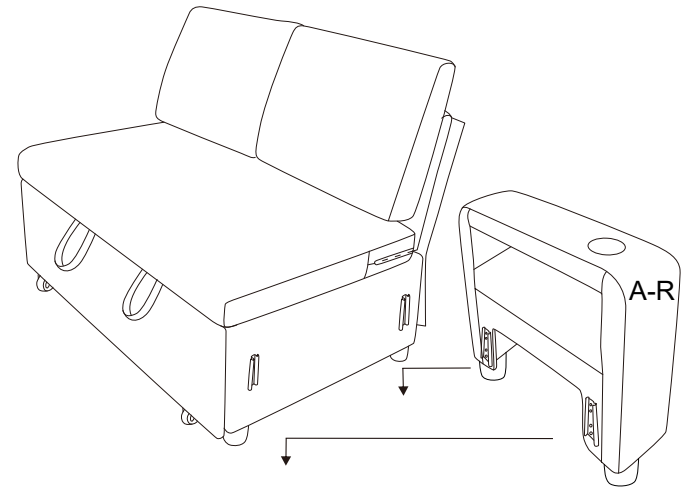
# Configuration4 A+C+C

## STEP 1



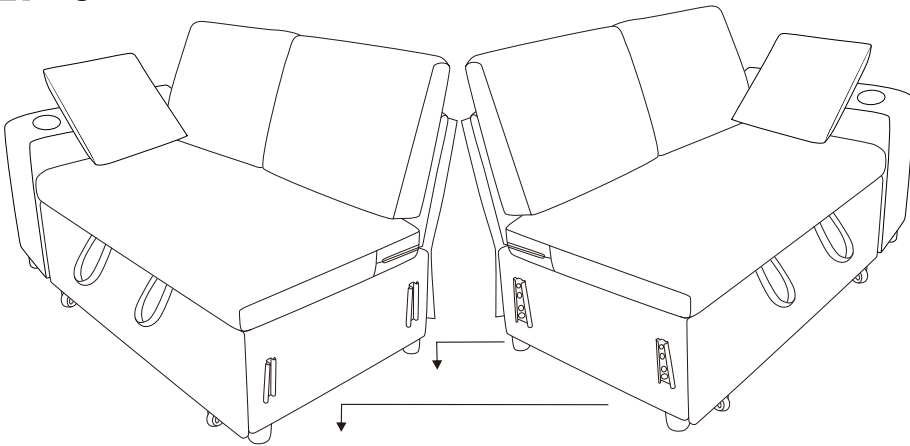
Place the accessory  
on the latch as shown.

## STEP 2



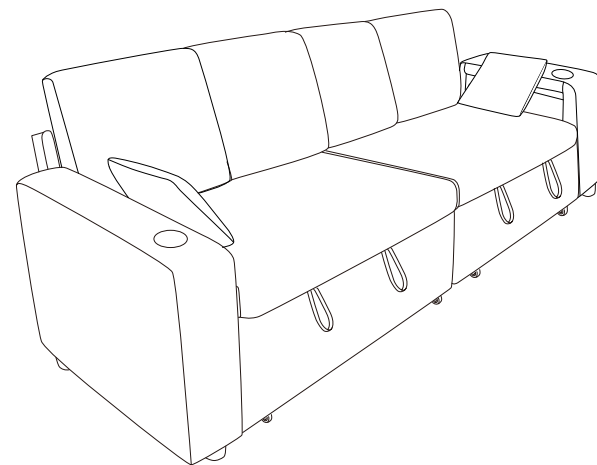
Place the accessory  
on the latch as shown.

## STEP 3

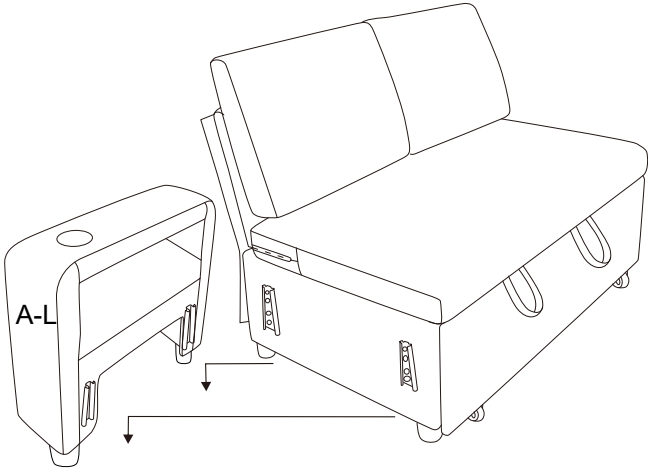


Place the accessory  
on the latch as shown.

## STEP 4

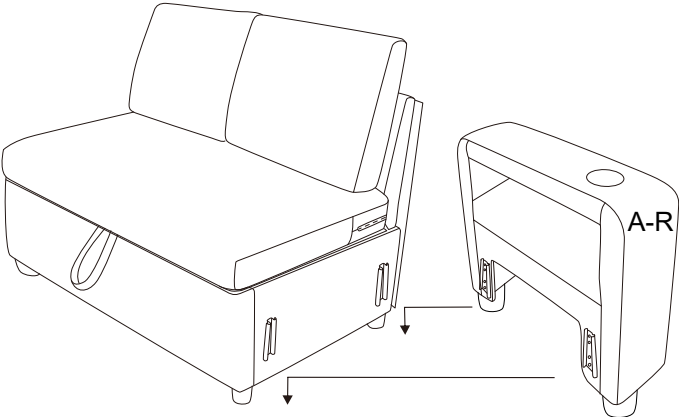


**STEP 1**



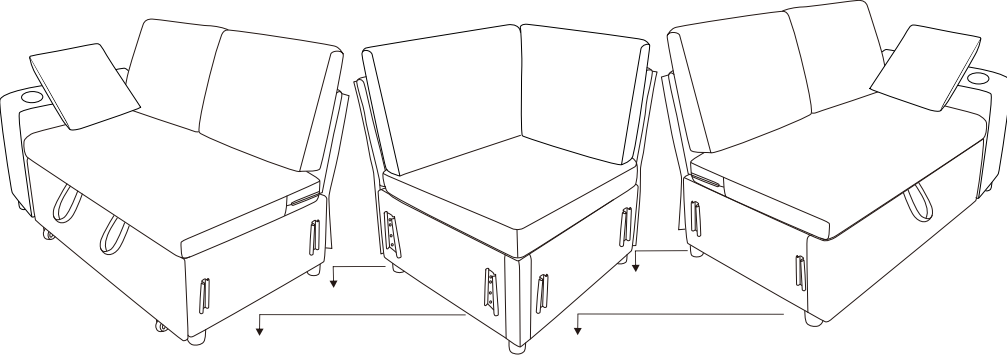
Place the accessory on the latch as shown.

**STEP 2**



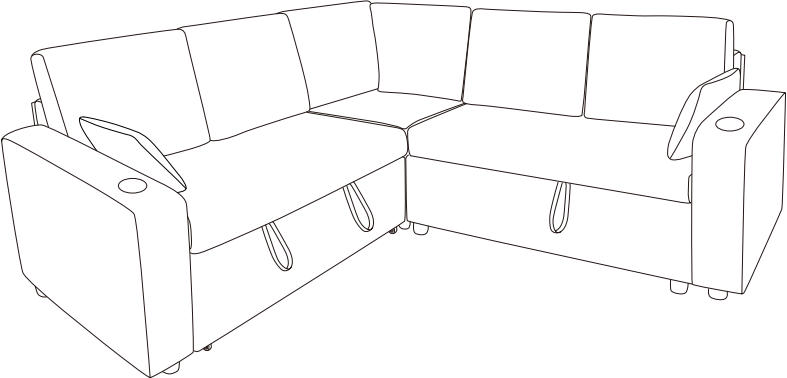
Place the accessory on the latch as shown.

**STEP 3**



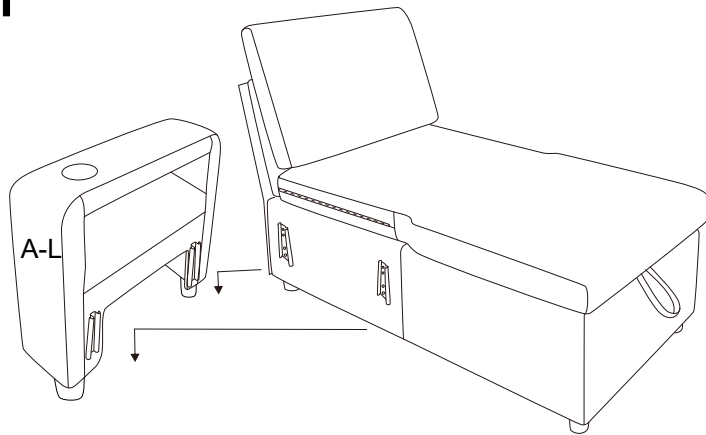
Place the accessory on the latch as shown.

**STEP 4**



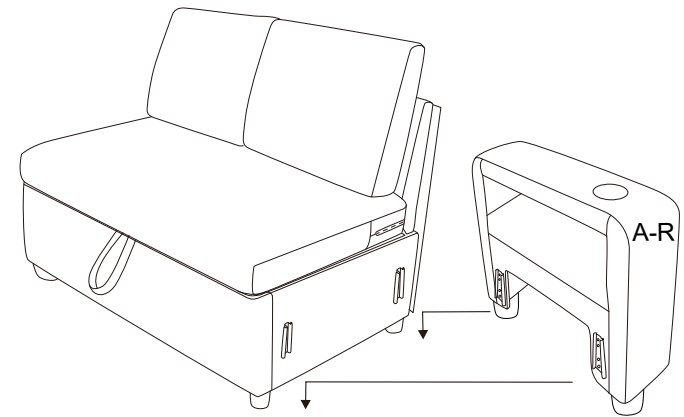
# Configuration 5 A+B+C+D

## STEP 1



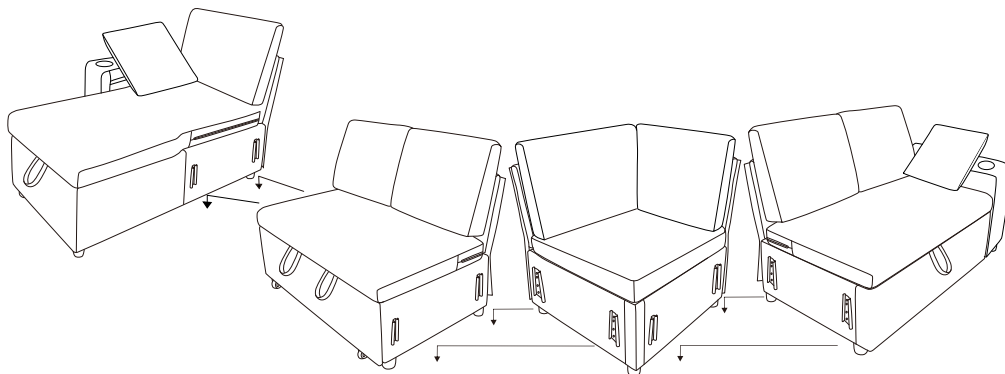
Place the accessory  
on the latch as shown.

## STEP 2



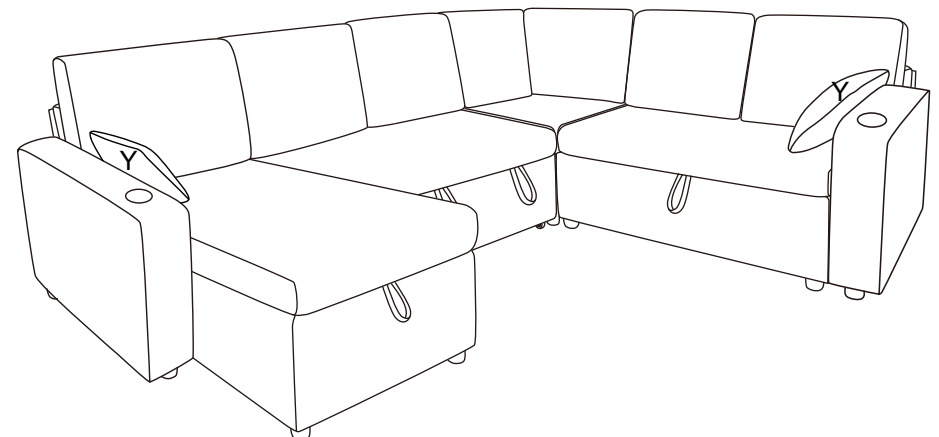
Place the accessory  
on the latch as shown.

## STEP 3



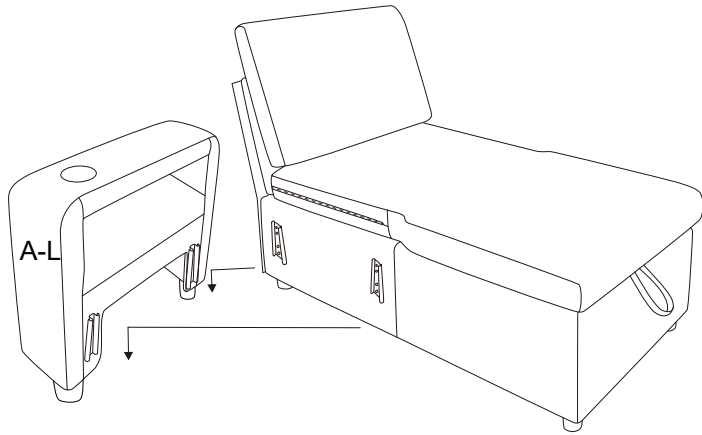
Place the accessory  
on the latch as shown.

## STEP 4



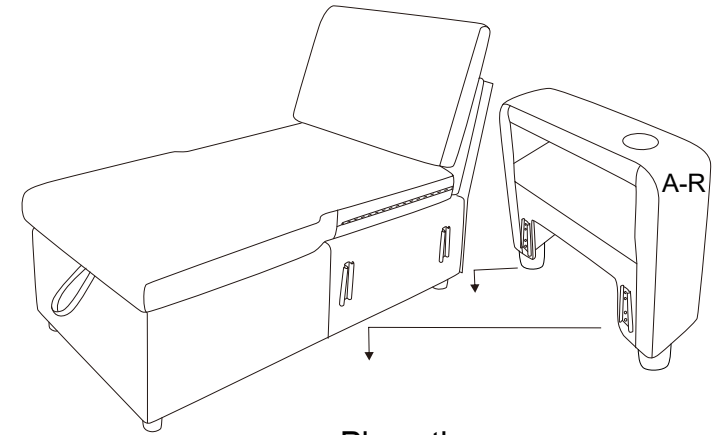
# Configuration7 A+E+E

## STEP 1



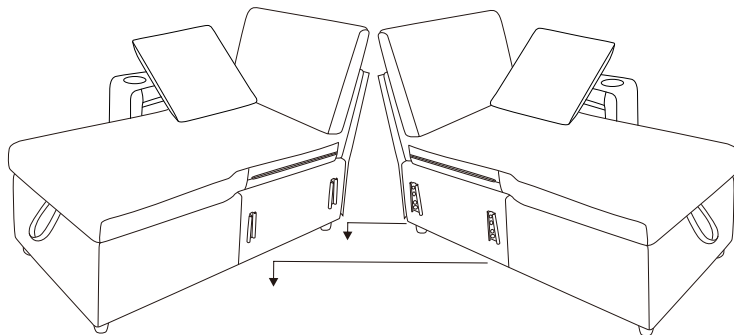
Place the accessory  
on the latch as shown.

## STEP 2



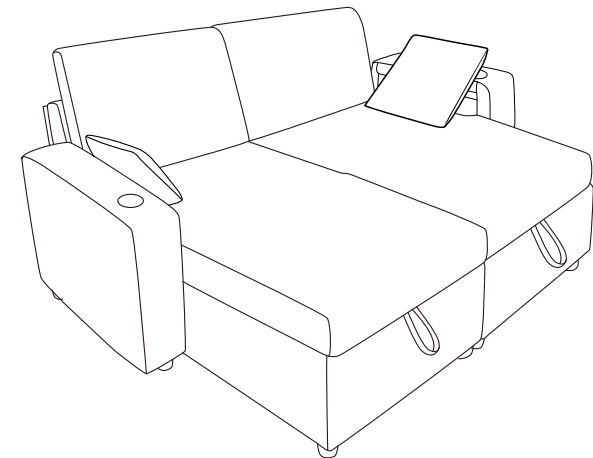
Place the accessory  
on the latch as shown.

## STEP 3



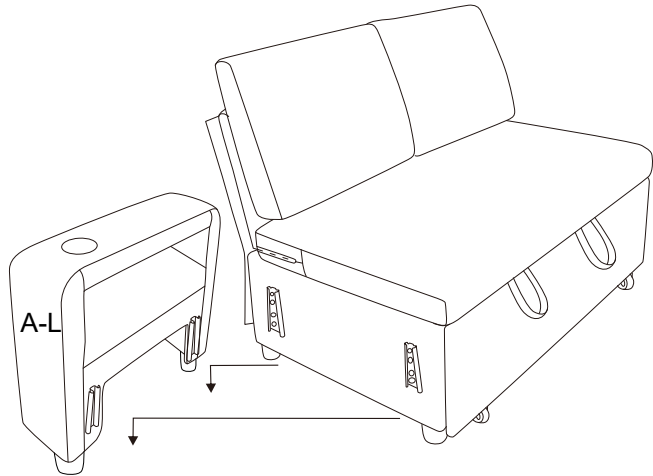
Place the accessory  
on the latch as shown.

## STEP 4



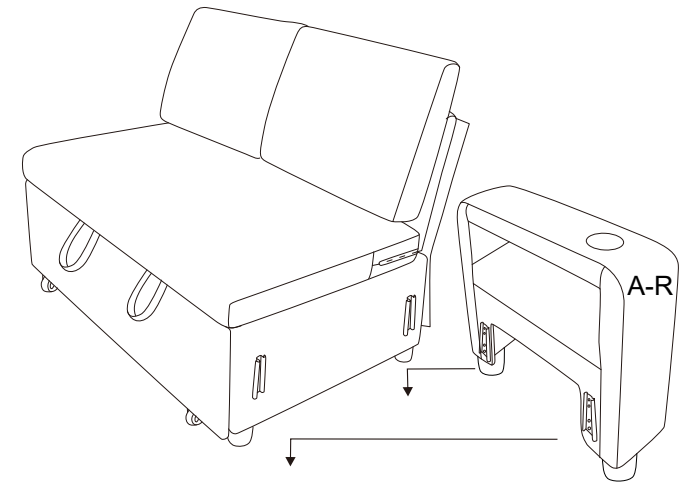
# Configuration 8 A+B+C+C+D+D

## STEP 1



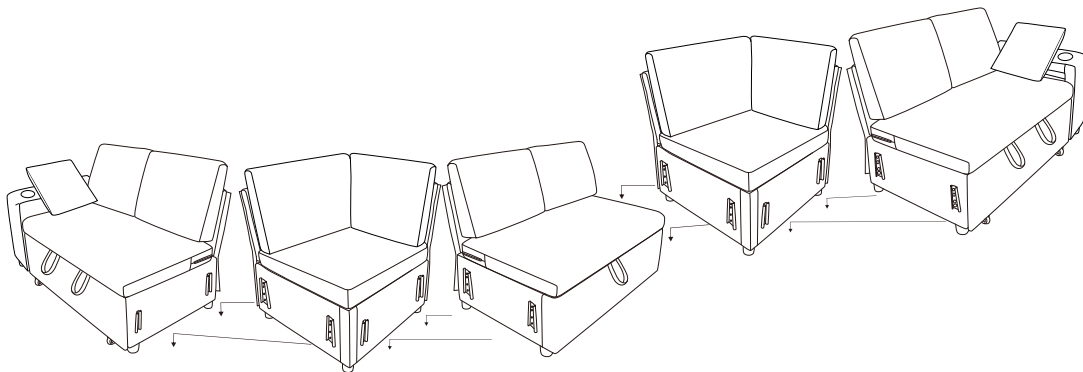
Place the accessory on the latch as shown.

## STEP 2



Place the accessory on the latch as shown.

## STEP 3



Place the accessory on the latch as shown.

## STEP 4

