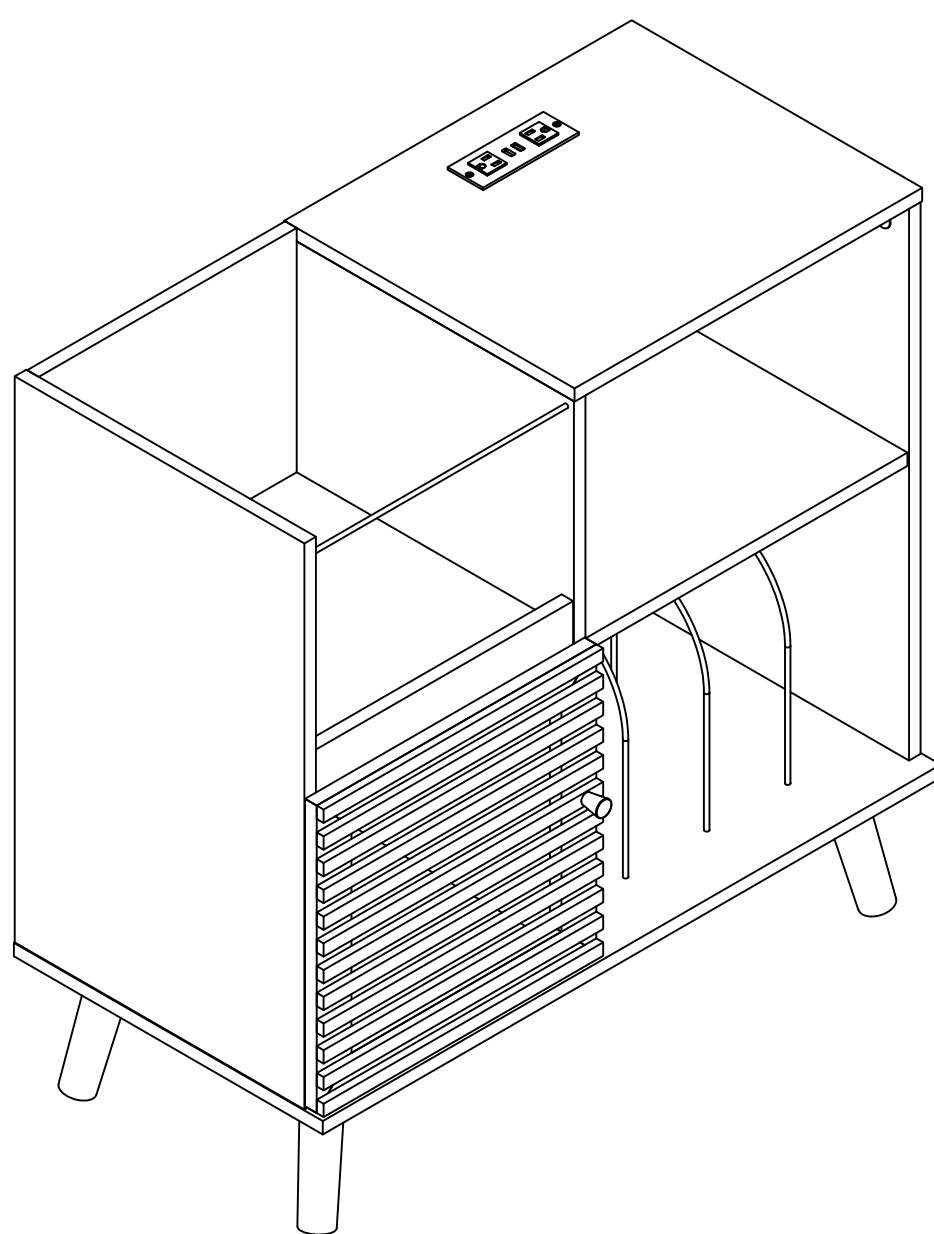


Storage Cabinet



Made in China

For a Hassle-Free Installation

- 1.Ensure you have received all cartons and familiarize yourself with the workload. Make sure there are enough helping hands to assist you, and that you have allocated the time required to assemble your new product.
2. Make sure you have cleared enough space in your home for the assembly. We recommend protecting your floor with a mat or cardboard to avoid scratches during the assembly process.
3. Read instructions carefully and check no parts are missing.
4. Lay out all hardware on a soft surface so you can easily identify them.
5. Carefully identify all components according to the labeled alphabet to ensure that the parts are in the correct place.
6. Install your new product carefully following the instructions. Don't skip ahead!

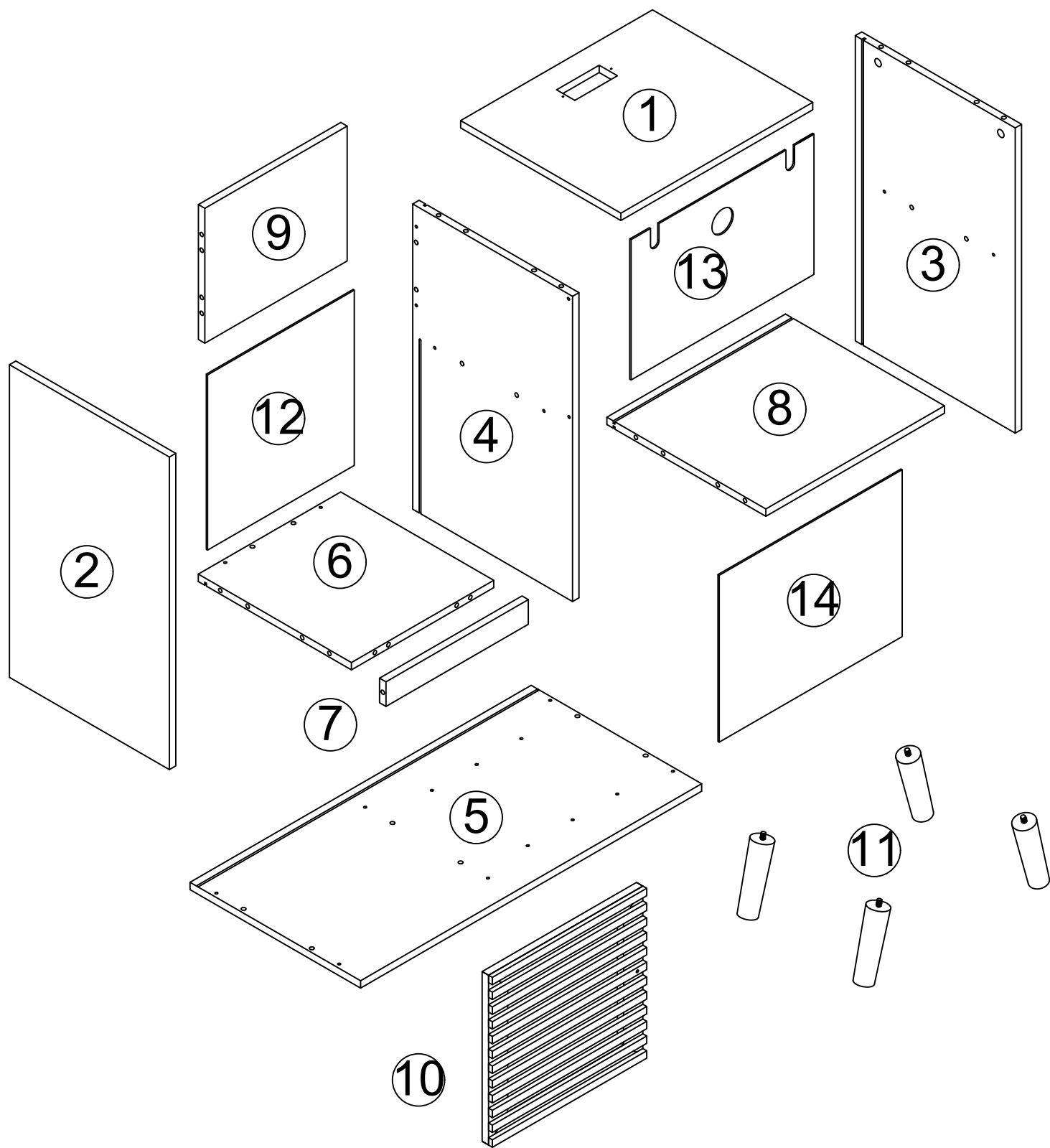
* If any parts are missing or damaged, we will gladly ship you replacement parts free of charge. Please contact us order ID and the Store Name of your purchase, we're always here to help :)

WARNING

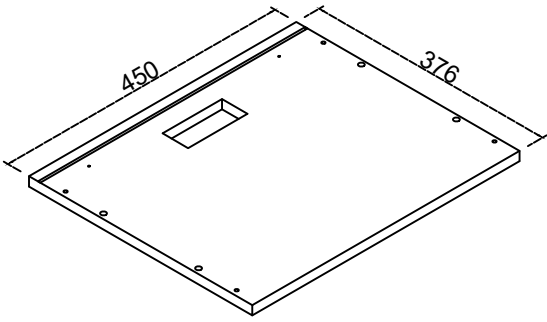
Serious or fatal injury may occur from unexpected assembly or use.

- 1.During the assembly process, keep all parts away from babies or children.
- 2.Always securely fix this product to the wall. Make sure the wall area to be drilled is free from hidden electrical wires, water and gas pipes.
- 3.Use of tip-over restraints may only reduce, but not eliminate the risk of tip-over.
- 4.Unless specially designed to accommodate, do not set heavy objects on top of this product.
- 5.Place the heaviest items on the lowest shelf.
- 6.Never allow children to climb or bang on drawers, doors or shelves.

Parts List

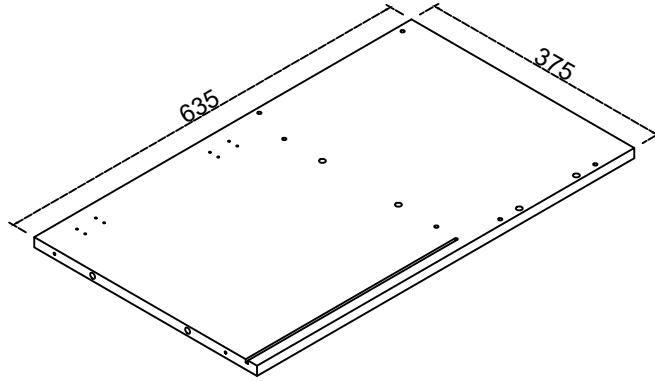


Parts List



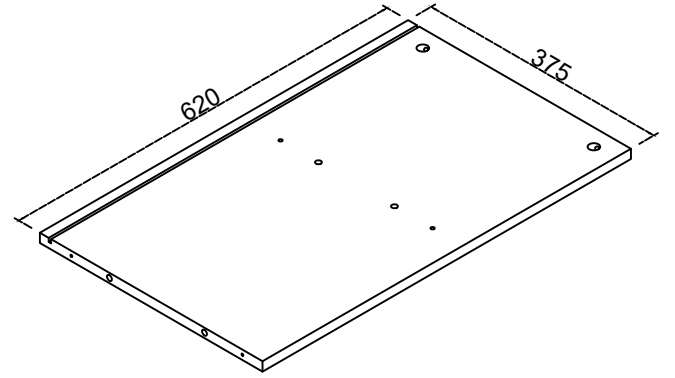
①

Qty:1



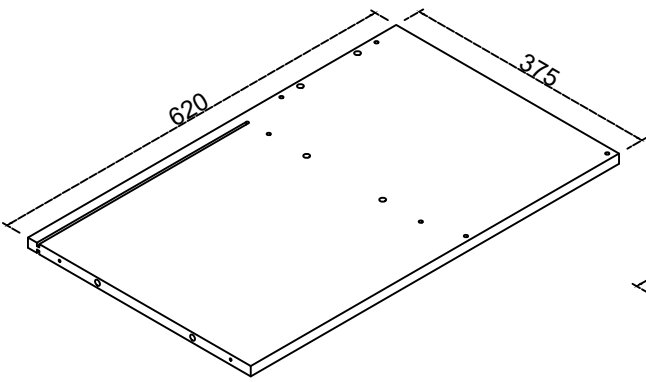
②

Qty:1



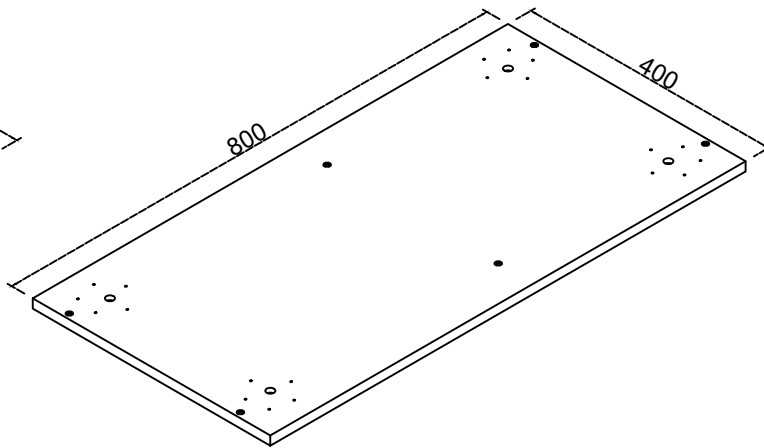
③

Qty:1



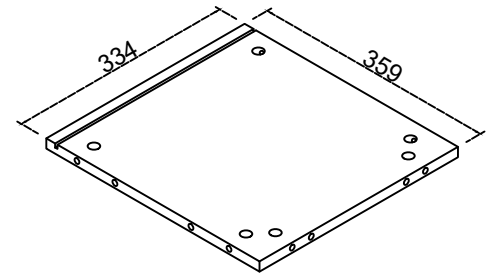
④

Qty:1



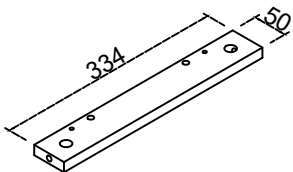
⑤

Qty:1



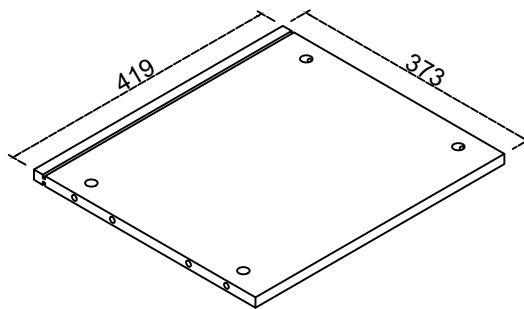
⑥

Qty:1



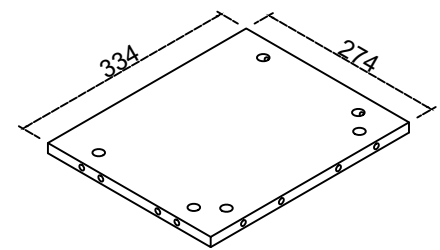
⑦

Qty:1



⑧

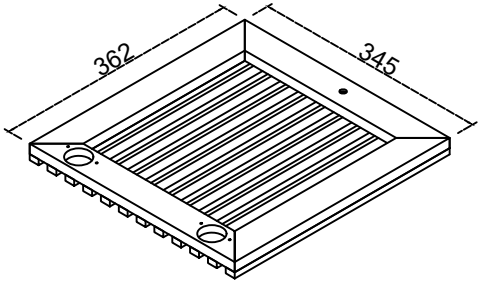
Qty:1



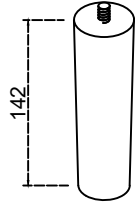
⑨

Qty:1

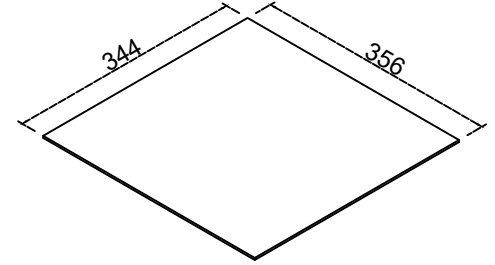
Parts List



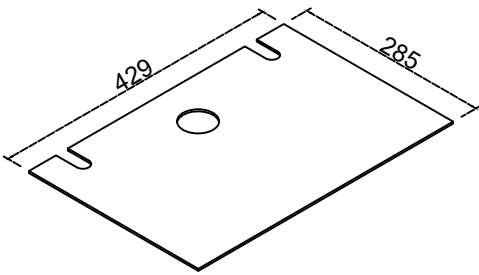
⑩
Qty:1



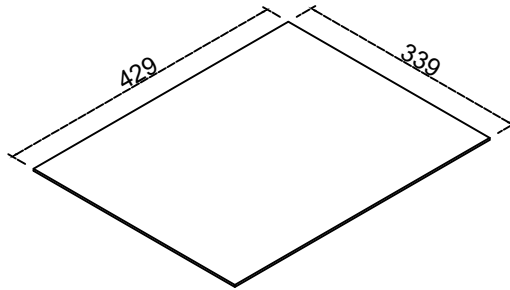
⑪
Qty:4



⑫
Qty:1

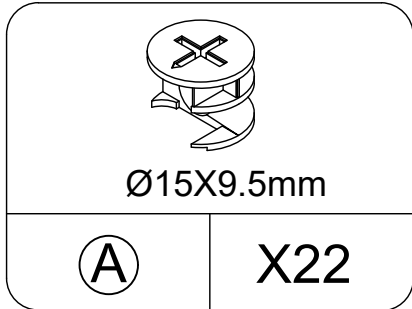
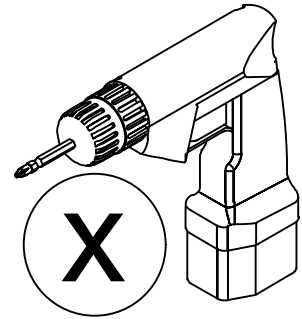
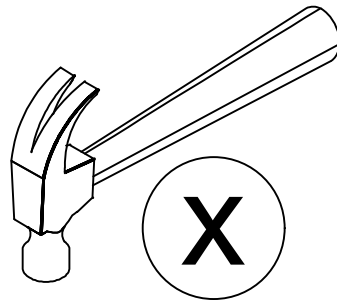
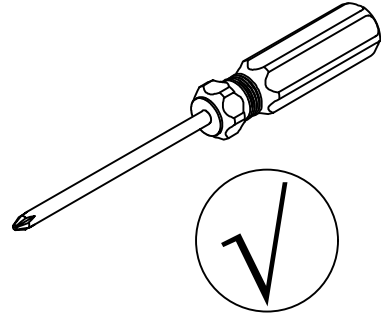
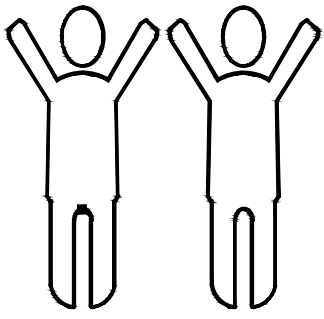


⑬
Qty:1

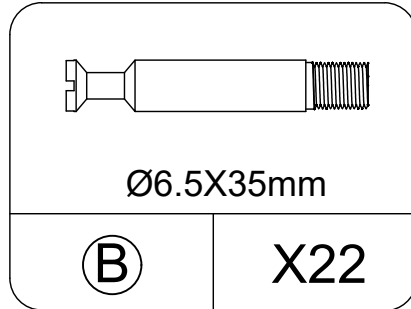


⑭
Qty:1

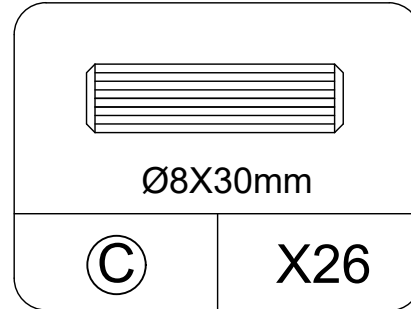
Hardware List



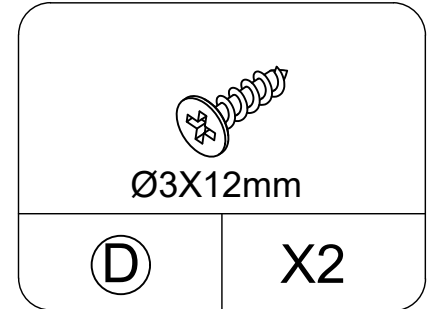
CAM LOCK
spare:2



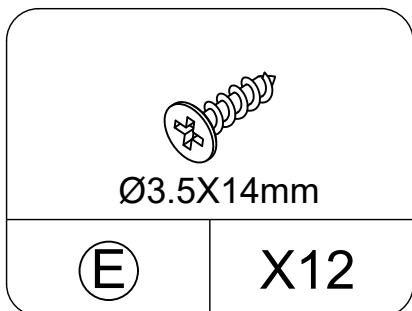
CAM BOLT
spare:2



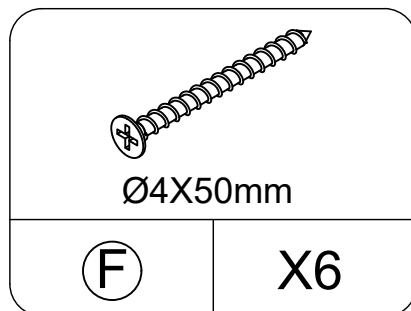
WOOD DOWEL
spare:2



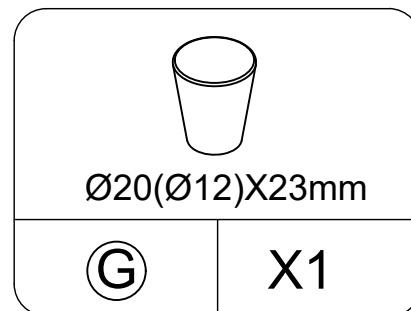
SCREW
spare:1



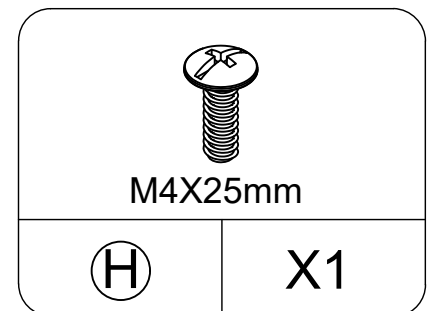
SCREW
spare:1



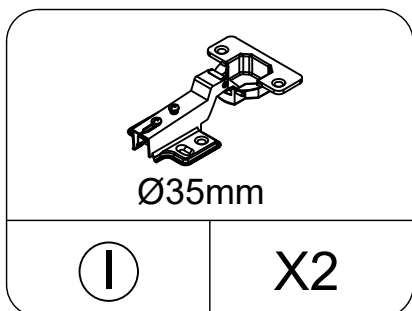
SCREW
spare:1



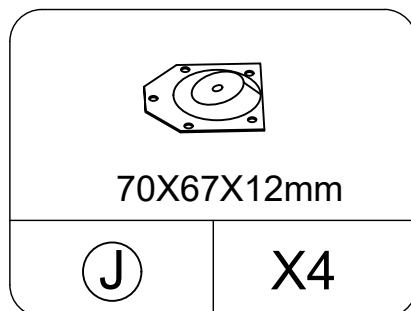
HANDLE



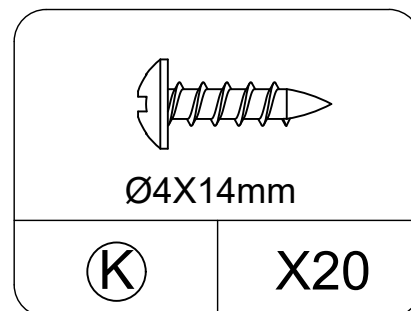
HANDLE SCREWS



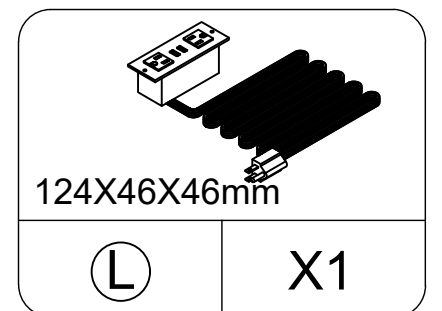
HINGE



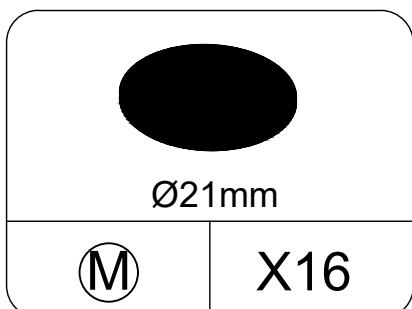
IRON SHEETS



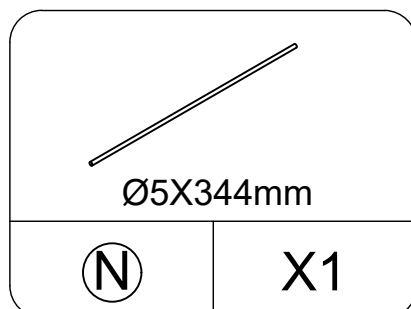
SCREW
spare:2



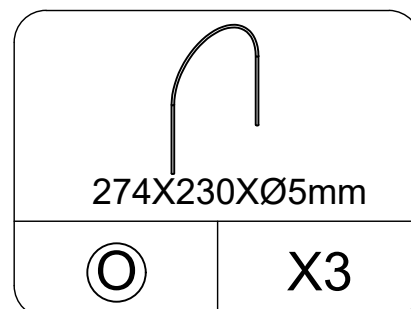
USB SOCKET



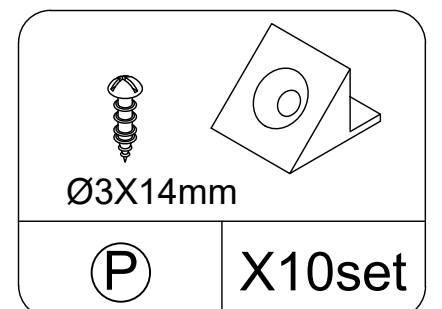
PERFECT STICKER
spare:2



STAINLESS STEEL PIPE

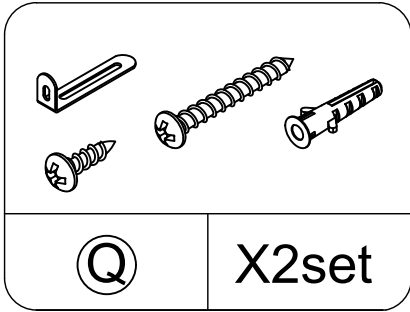
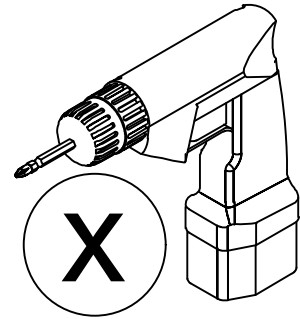
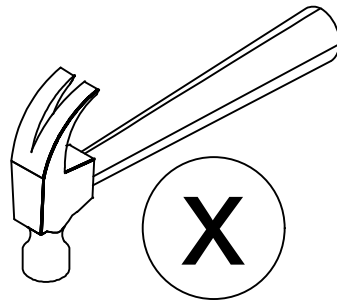
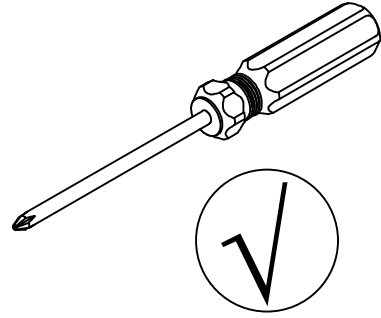
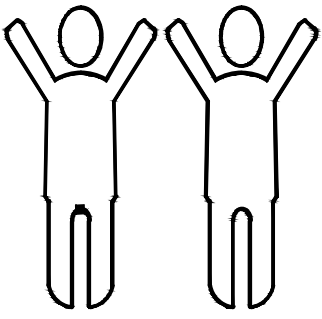


IRON WIRE

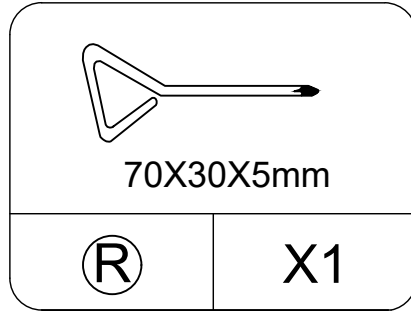


BACK PANEL BUCKLE
spare:1

Hardware List



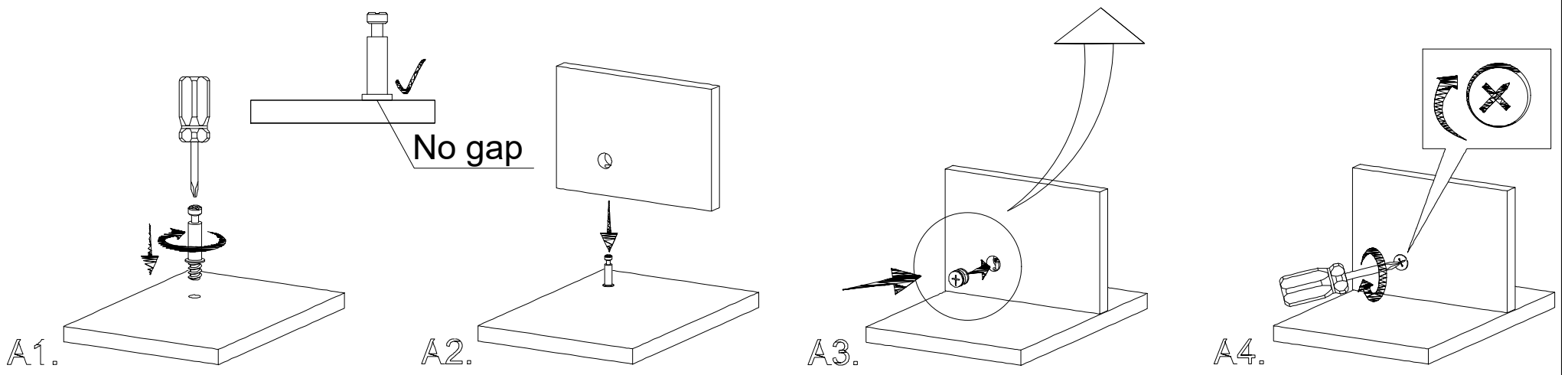
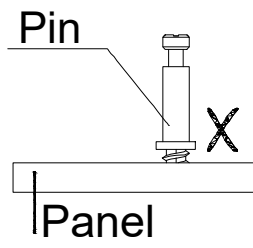
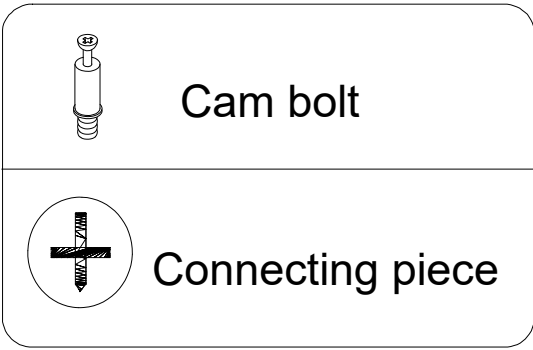
ANTI-DUMPING



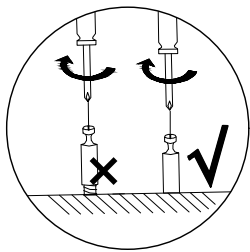
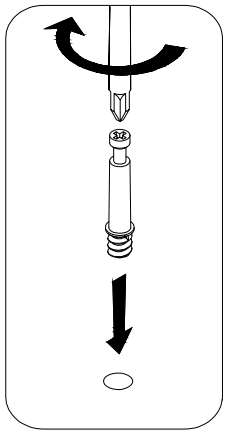
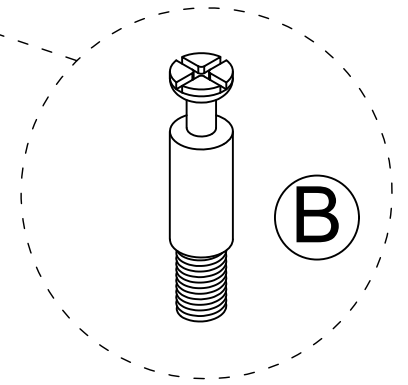
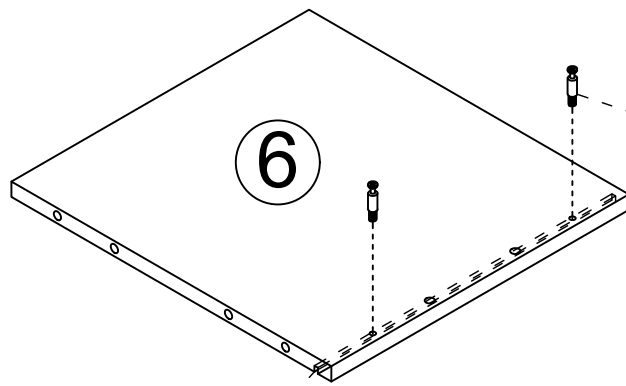
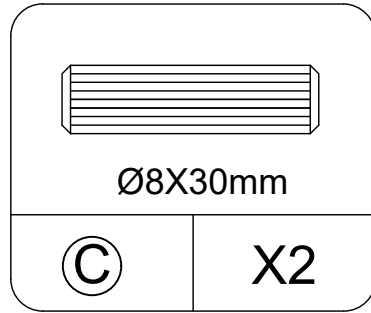
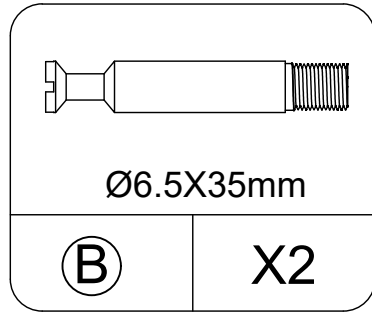
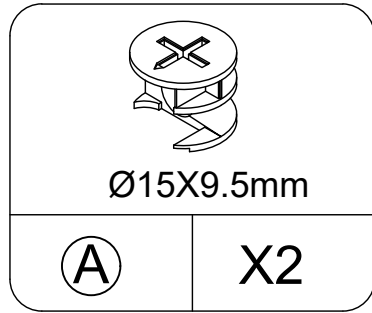
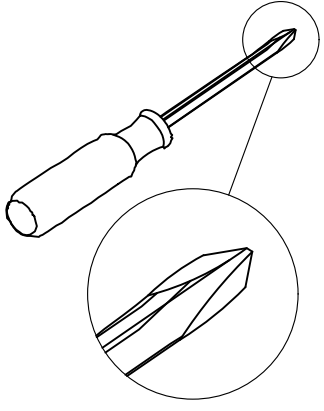
HEX KEY

Assembly Steps

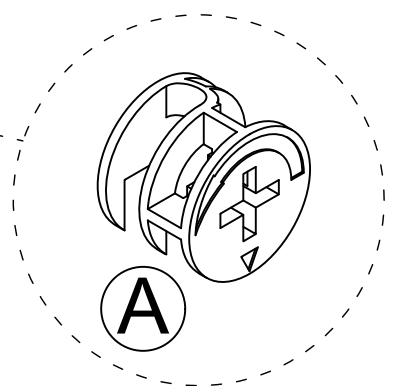
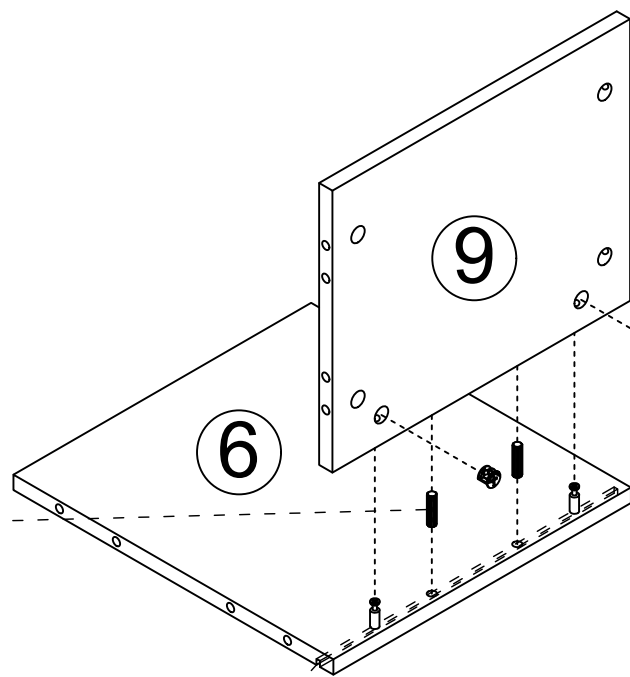
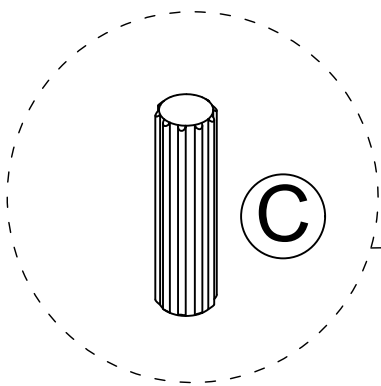
CAM BOLT INSTALLATION AS BELOW:



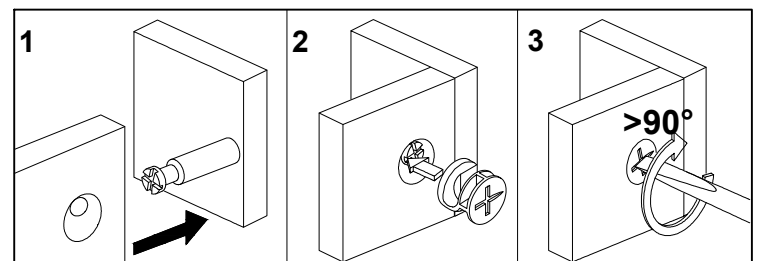
STEP 1



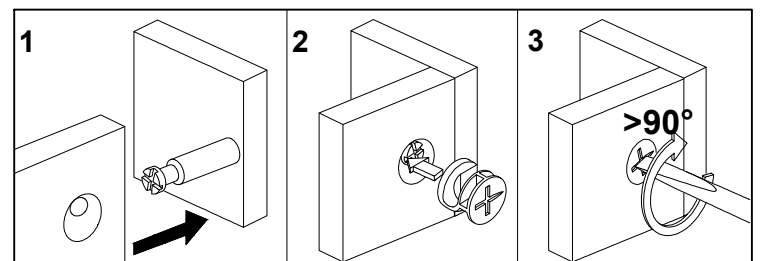
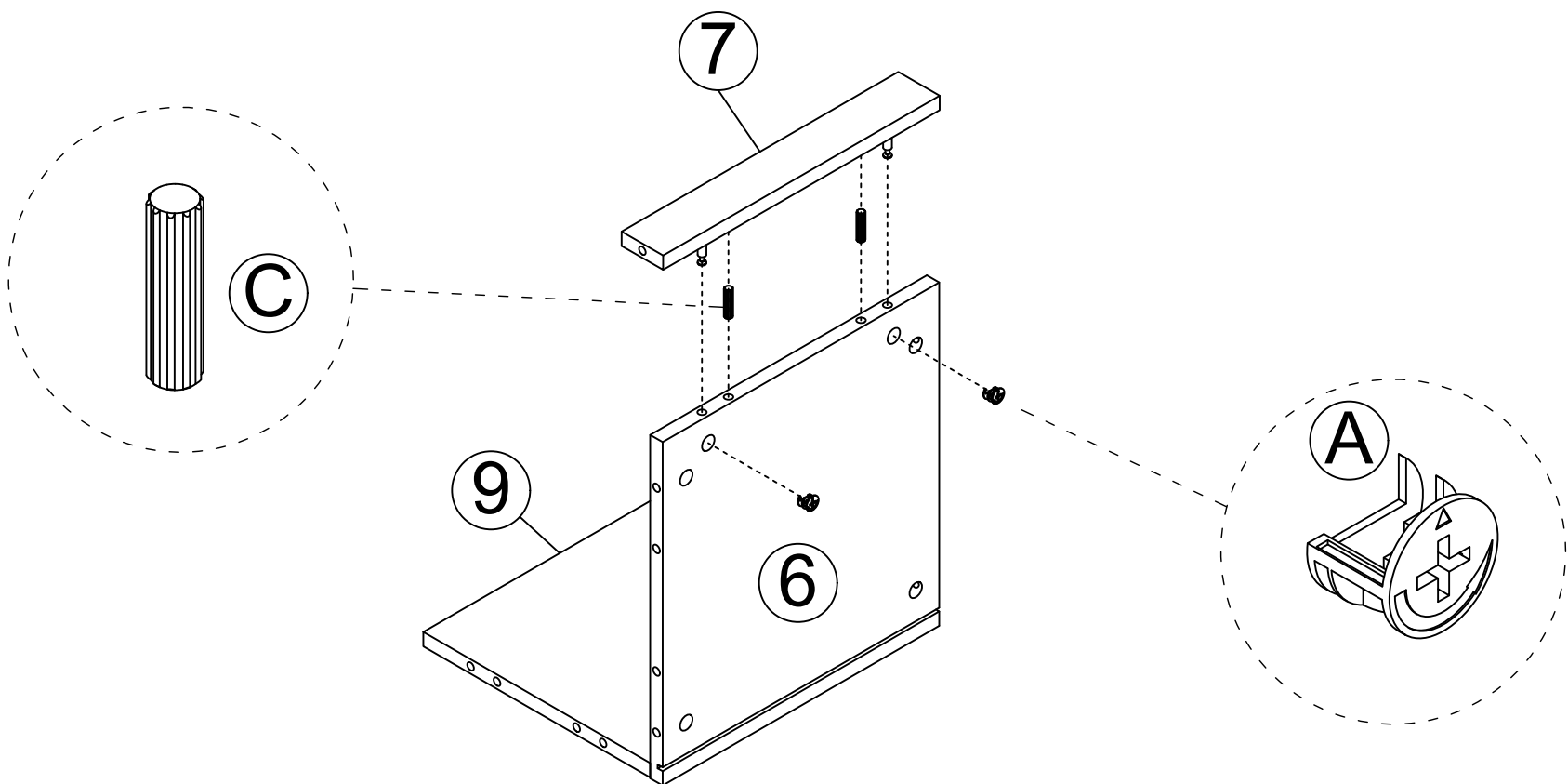
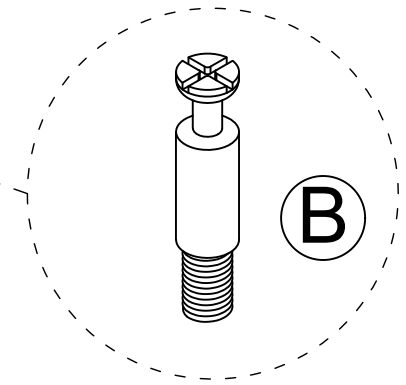
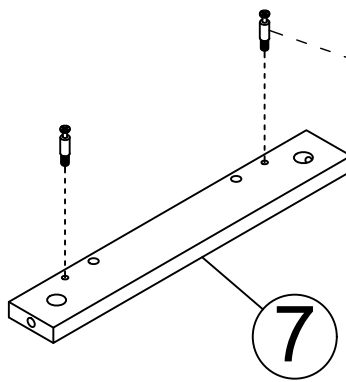
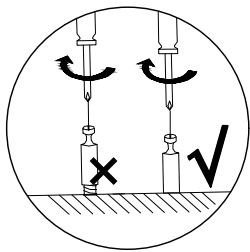
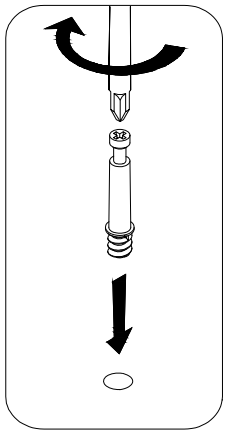
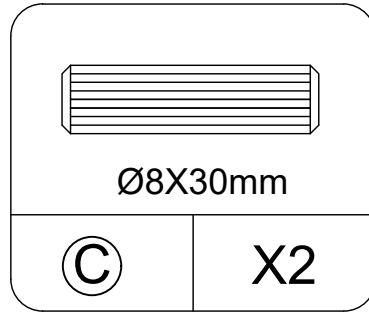
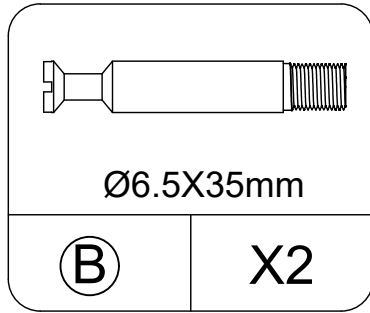
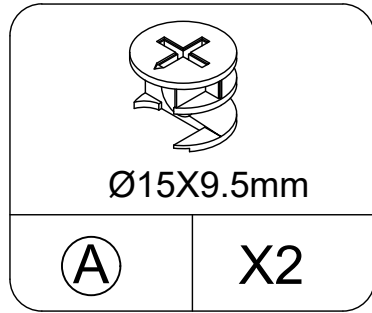
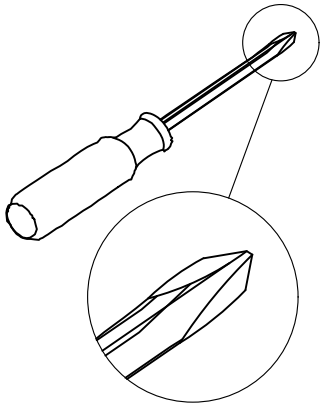
Install with groove facing down.



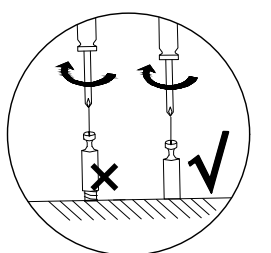
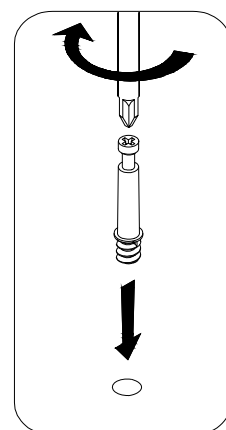
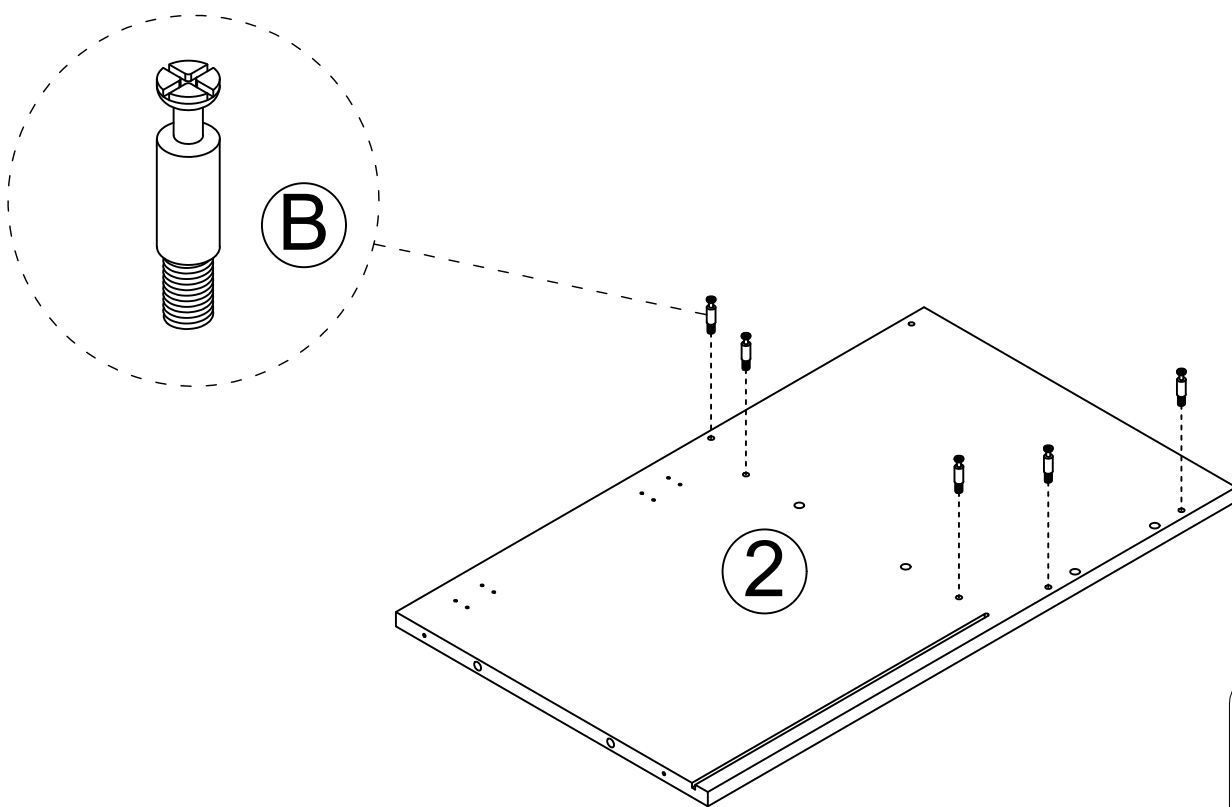
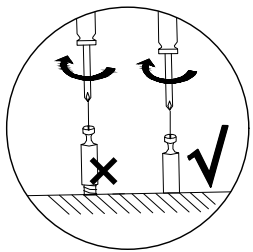
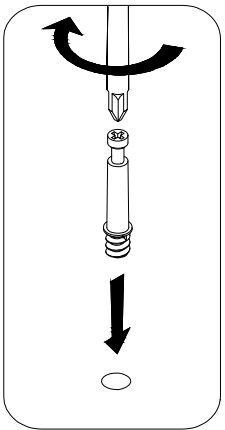
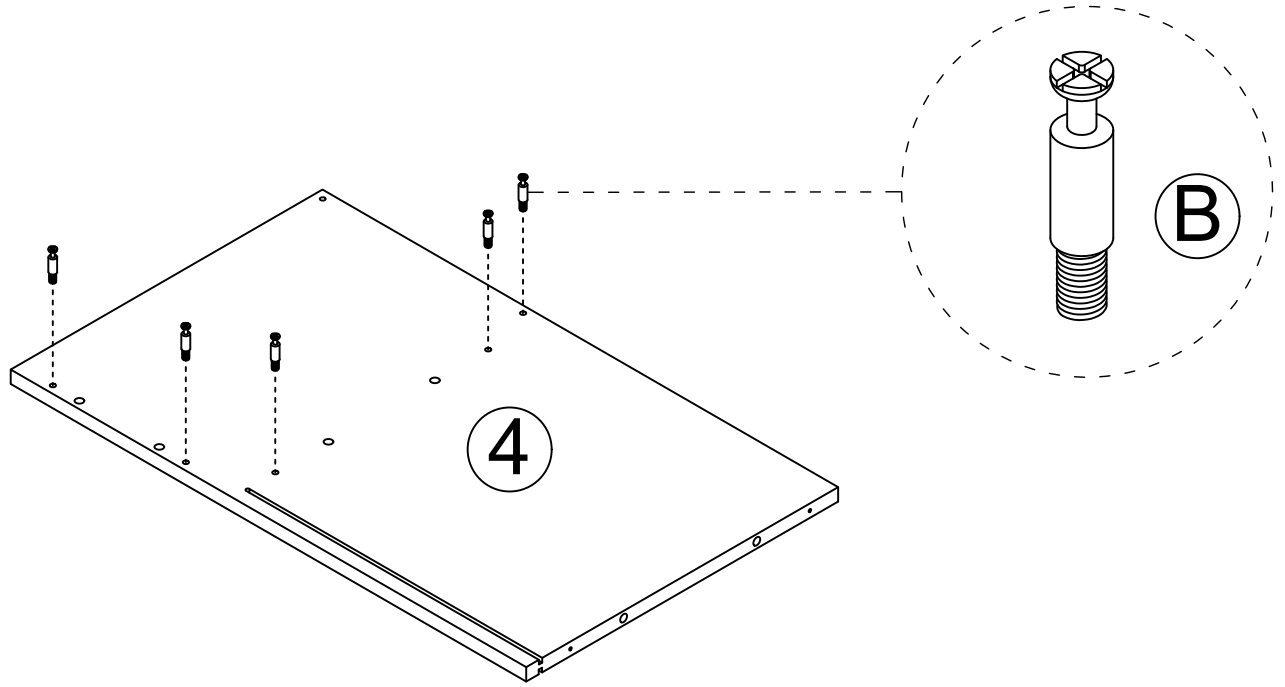
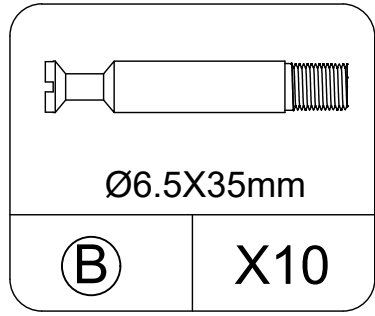
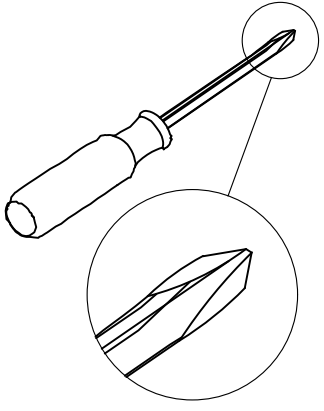
Install with groove facing down.



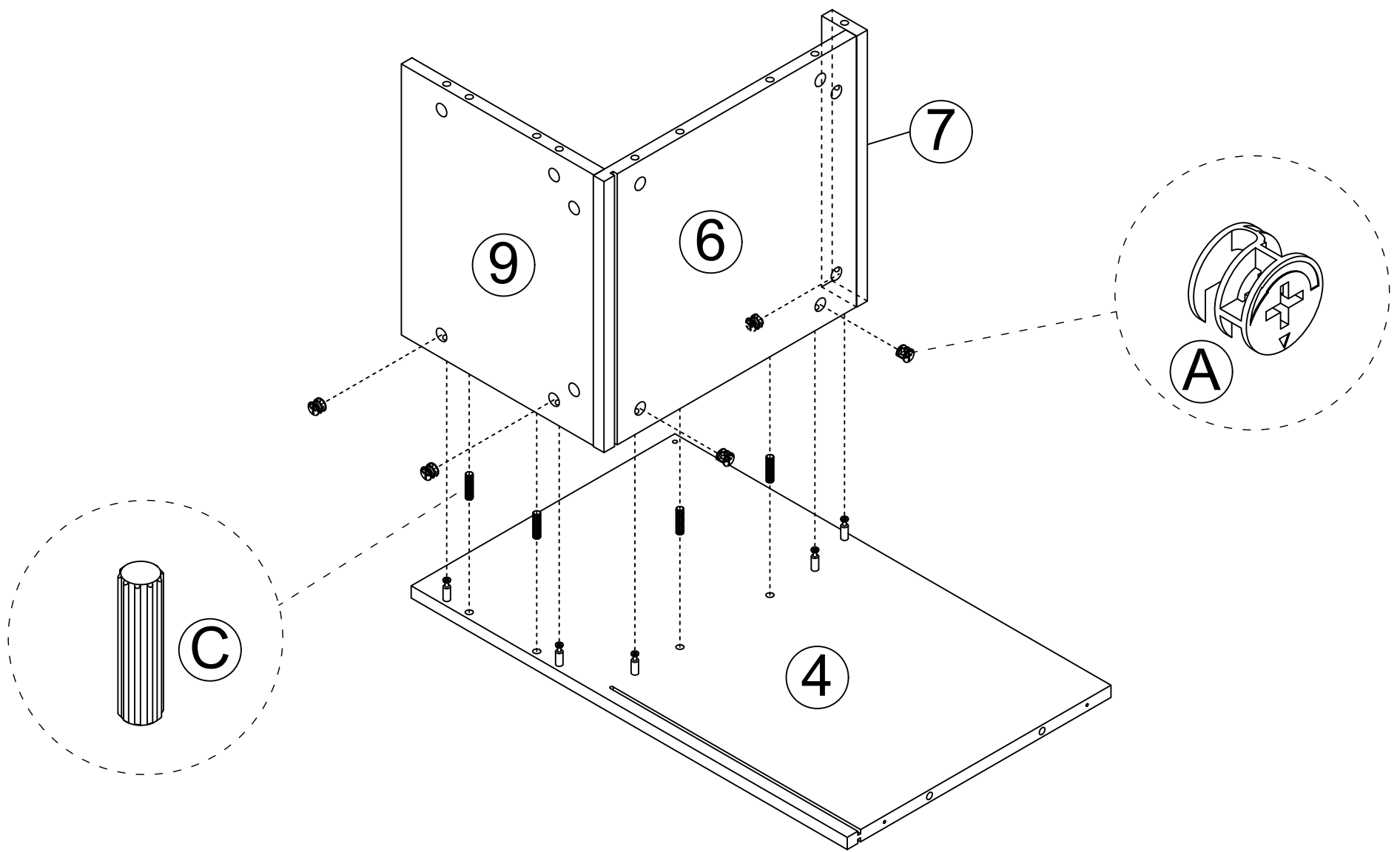
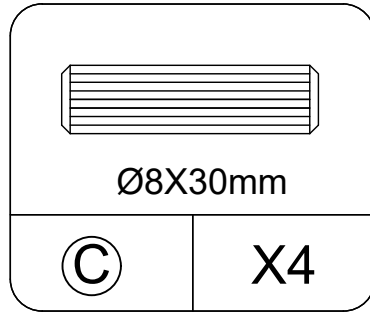
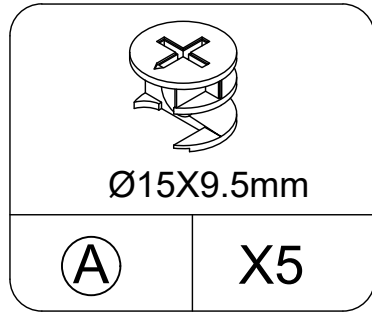
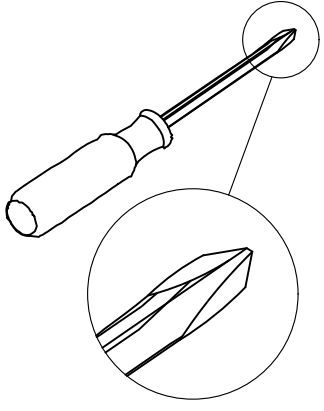
STEP 2



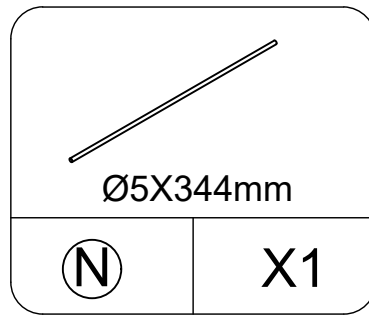
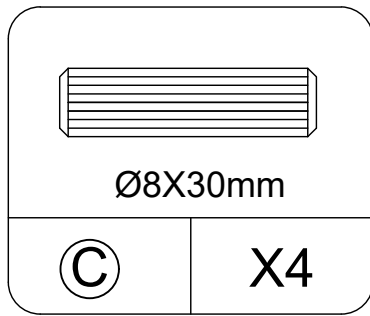
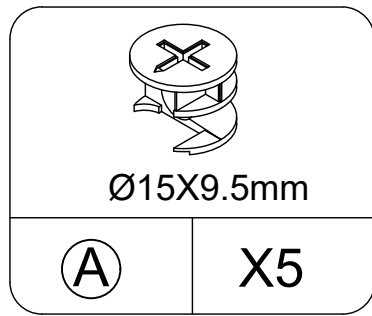
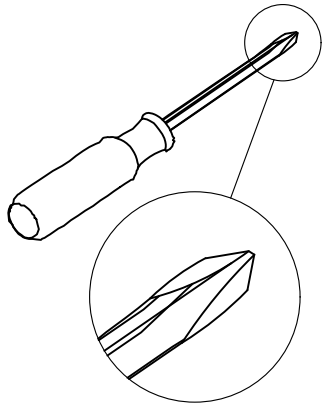
STEP 3



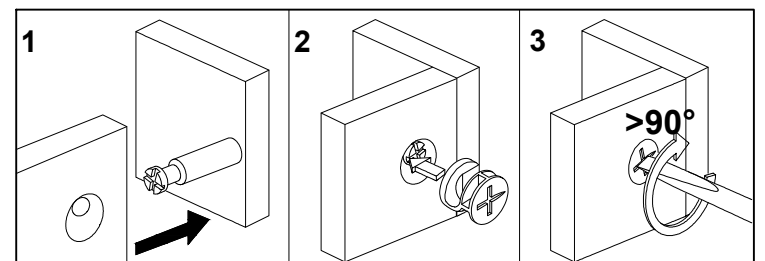
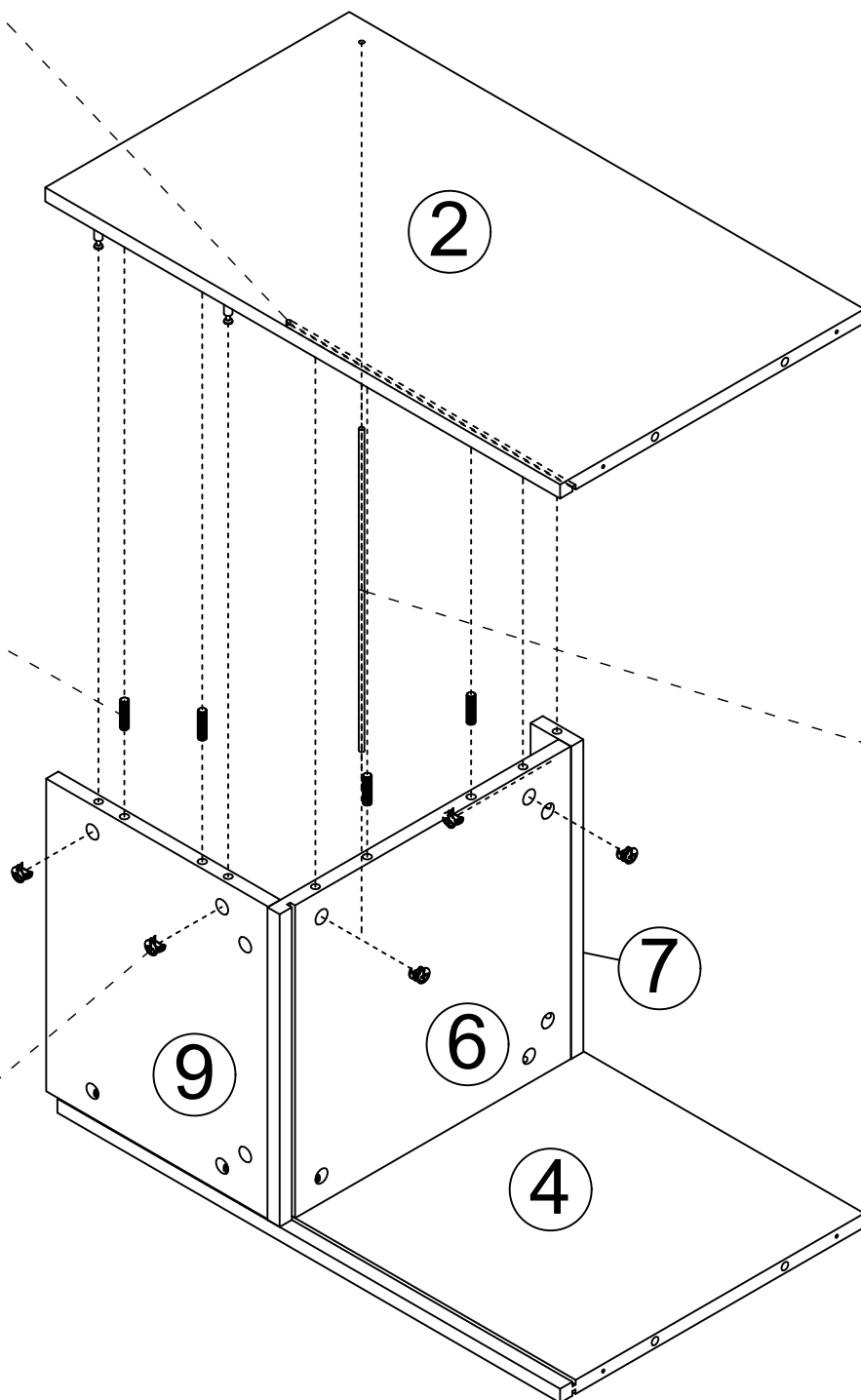
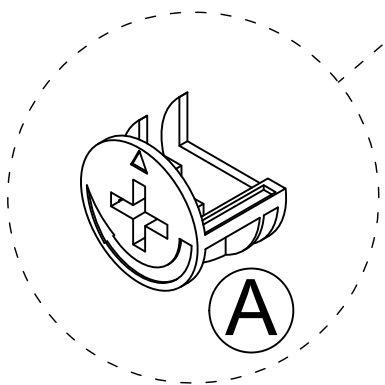
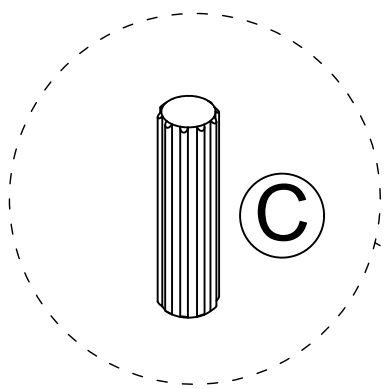
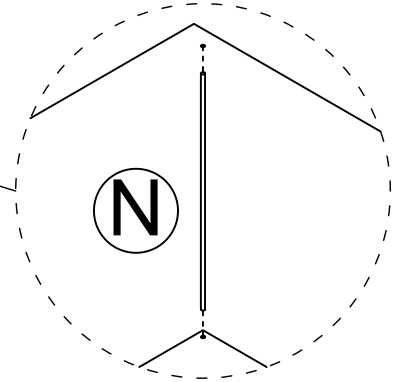
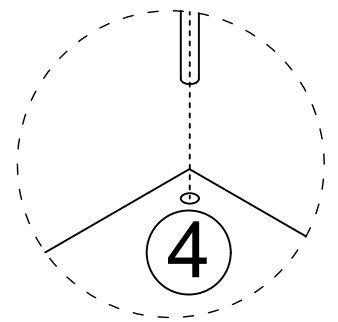
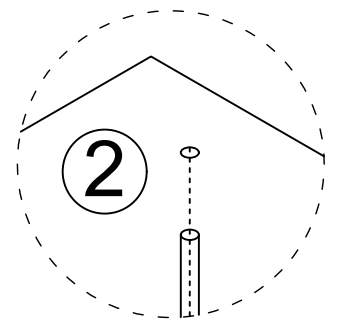
STEP4



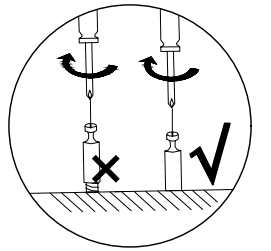
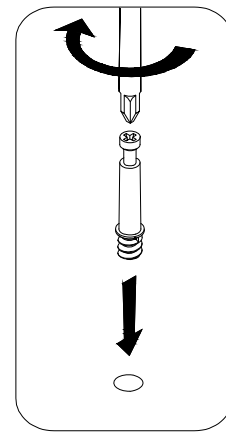
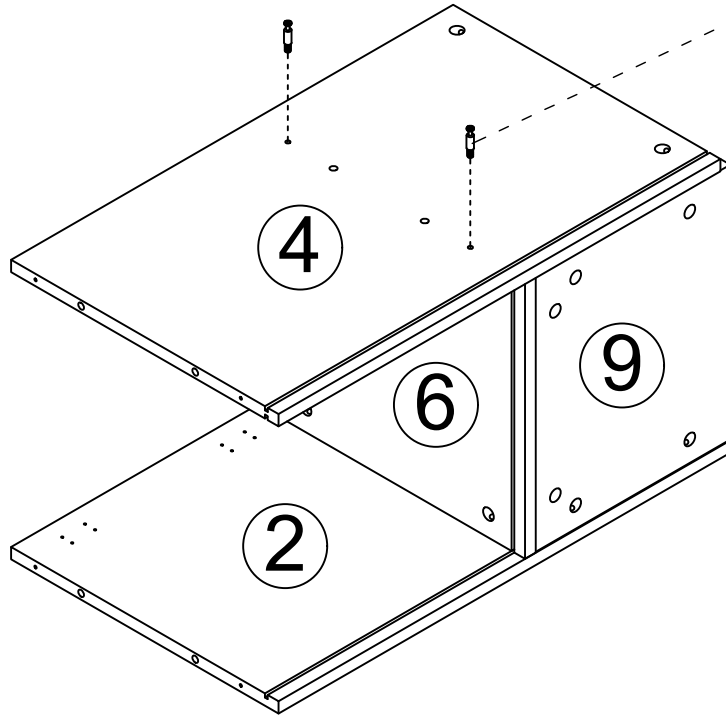
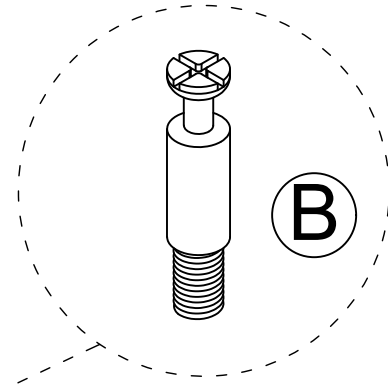
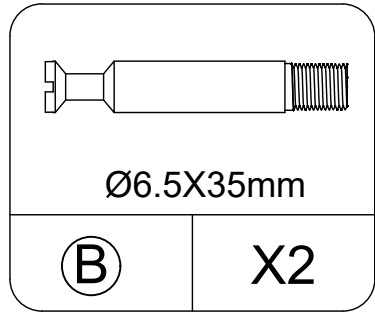
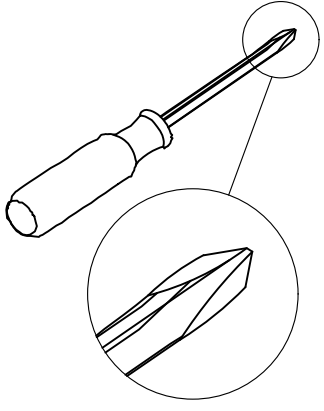
STEP 5



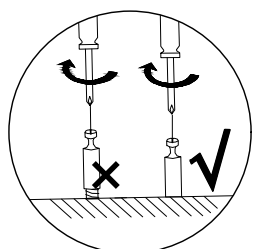
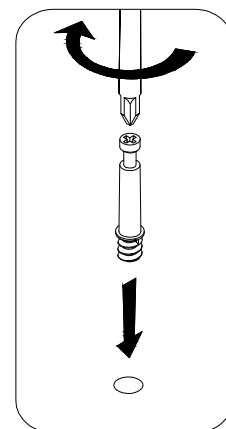
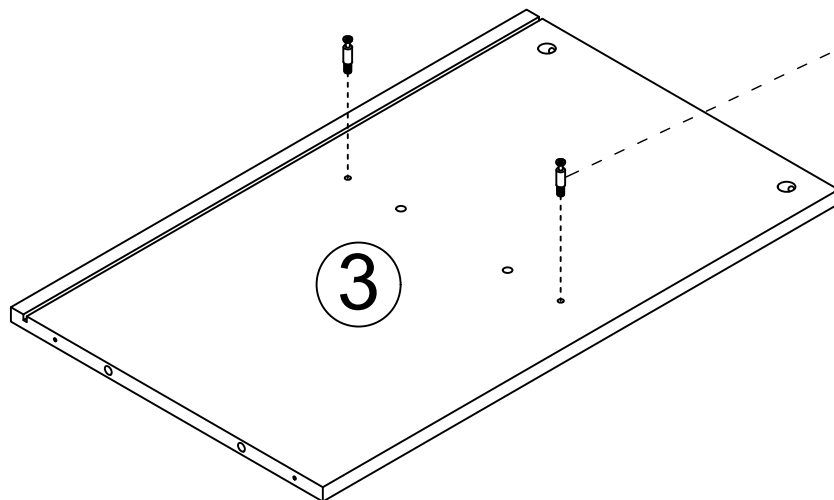
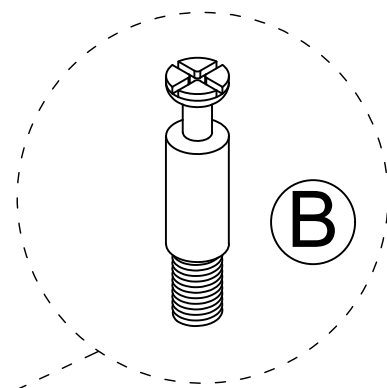
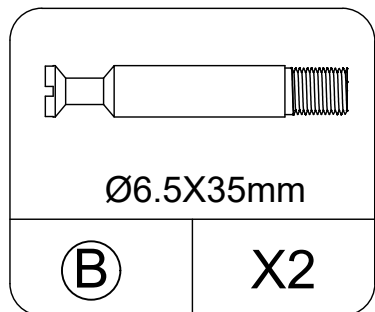
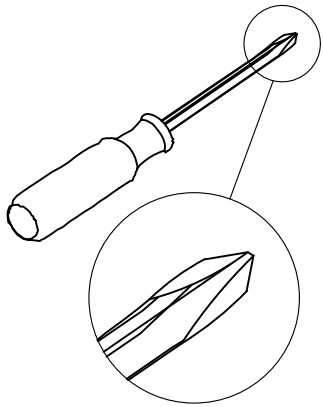
Install with groove facing down.



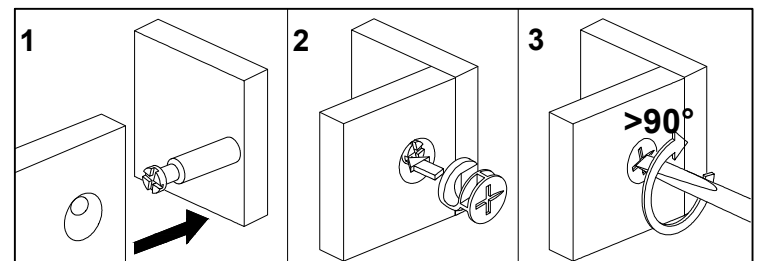
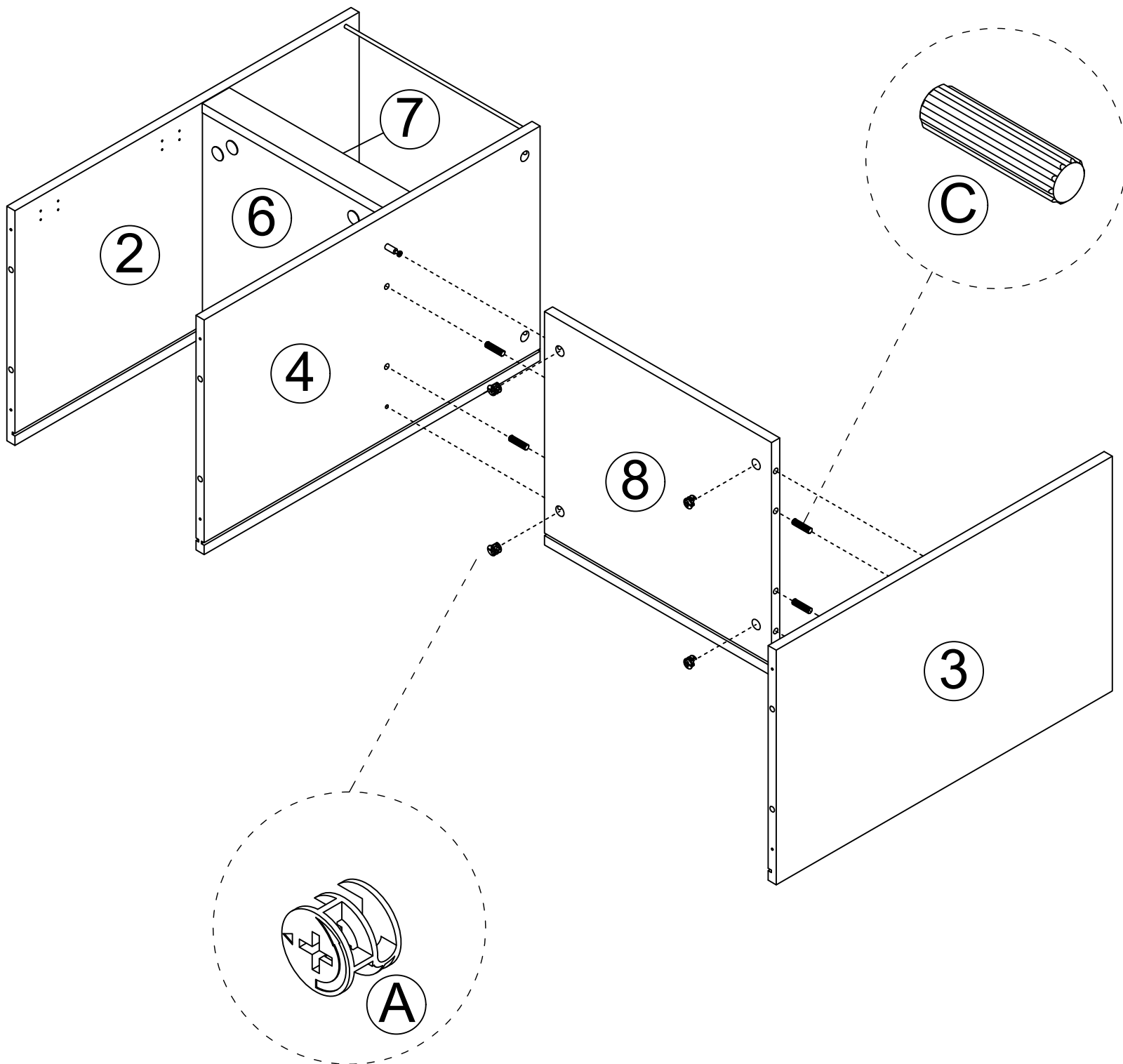
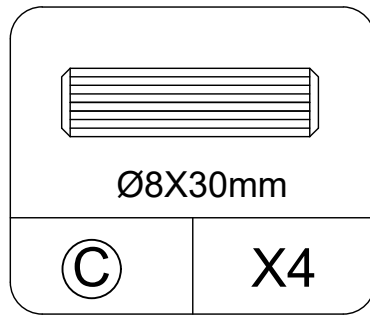
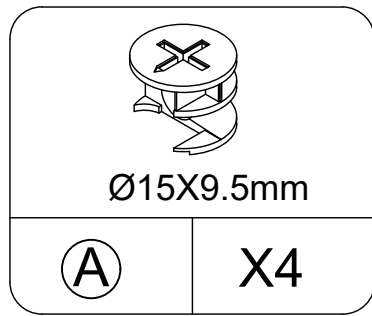
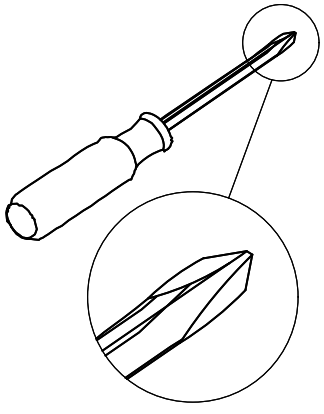
STEP 6



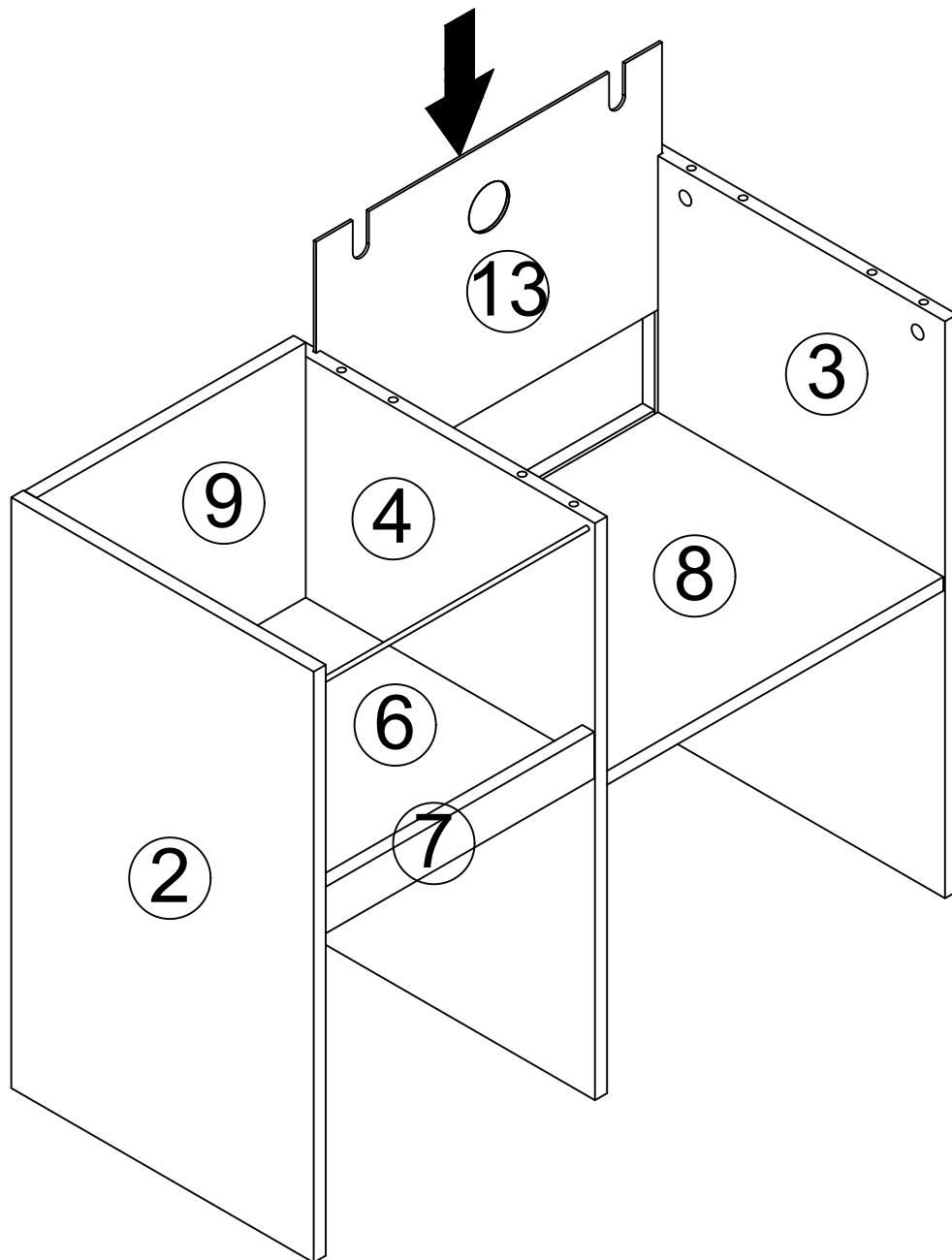
STEP 7



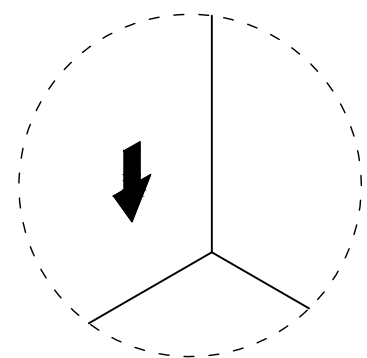
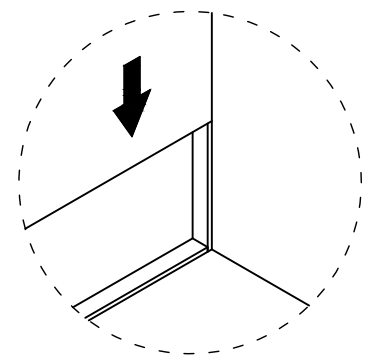
STEP 8



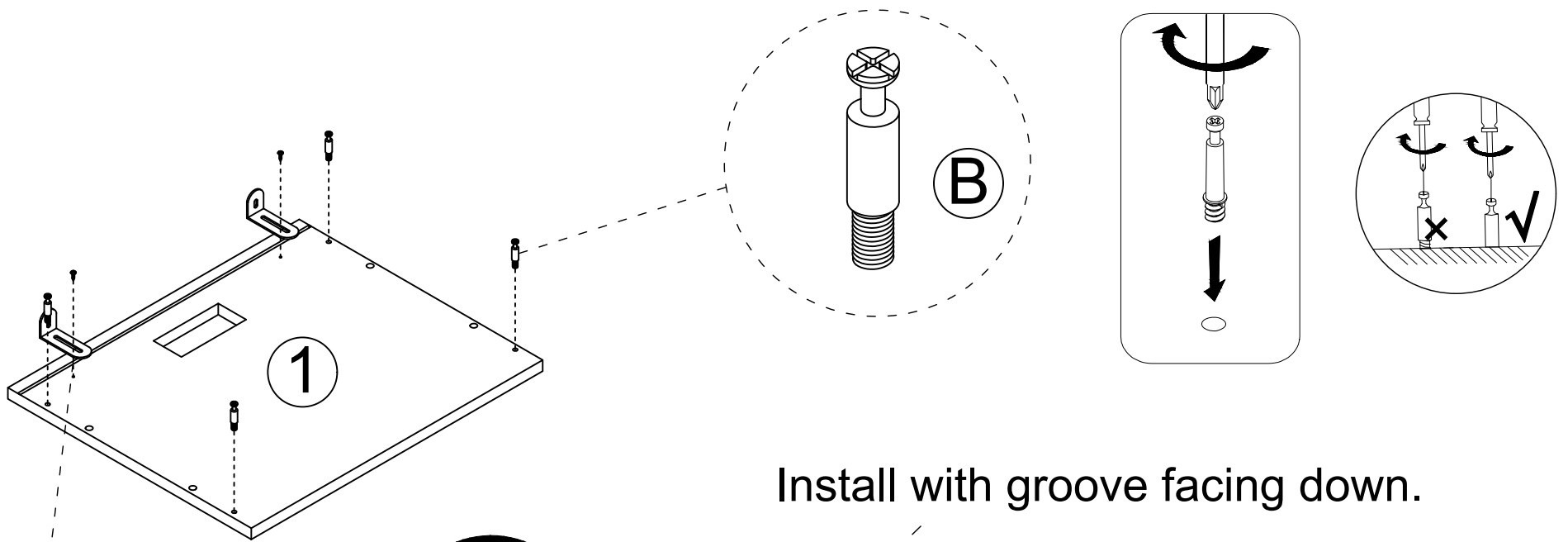
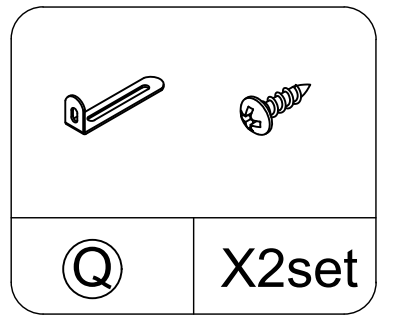
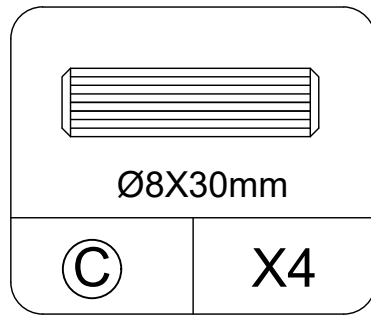
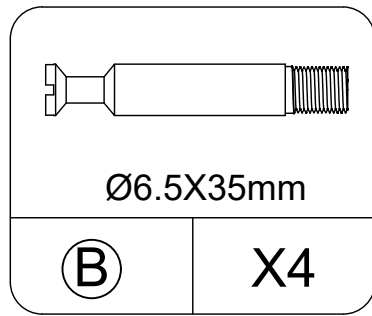
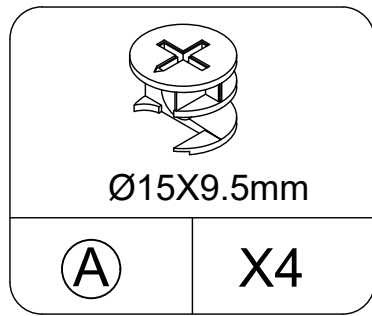
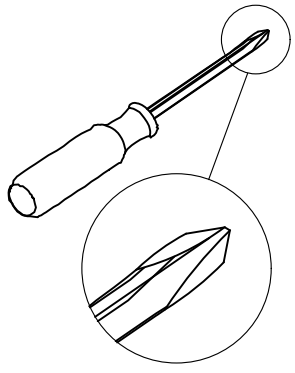
STEP9



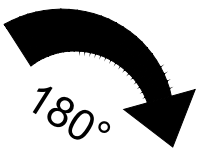
Thin back board needs to be inside the slot, otherwise blocks the opposite plate montage.



STEP10

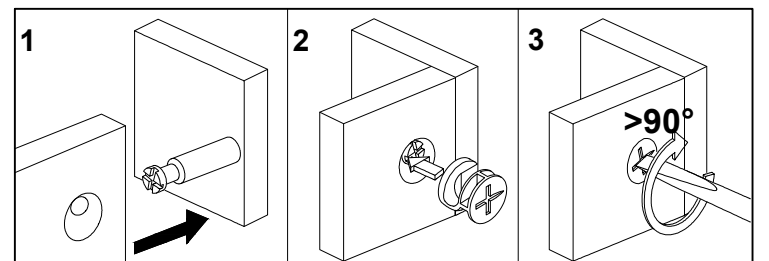
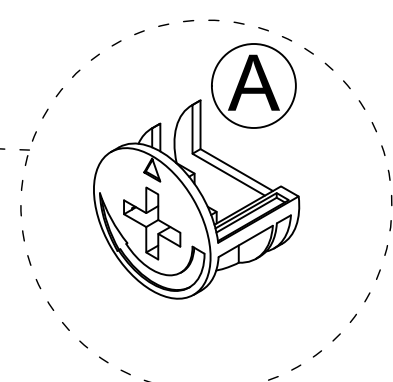
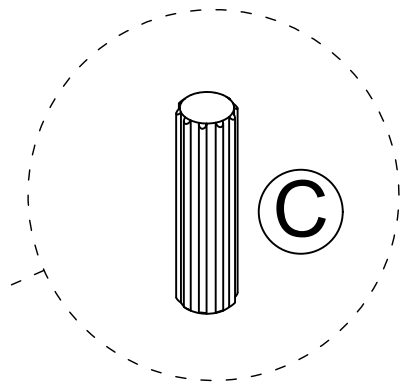
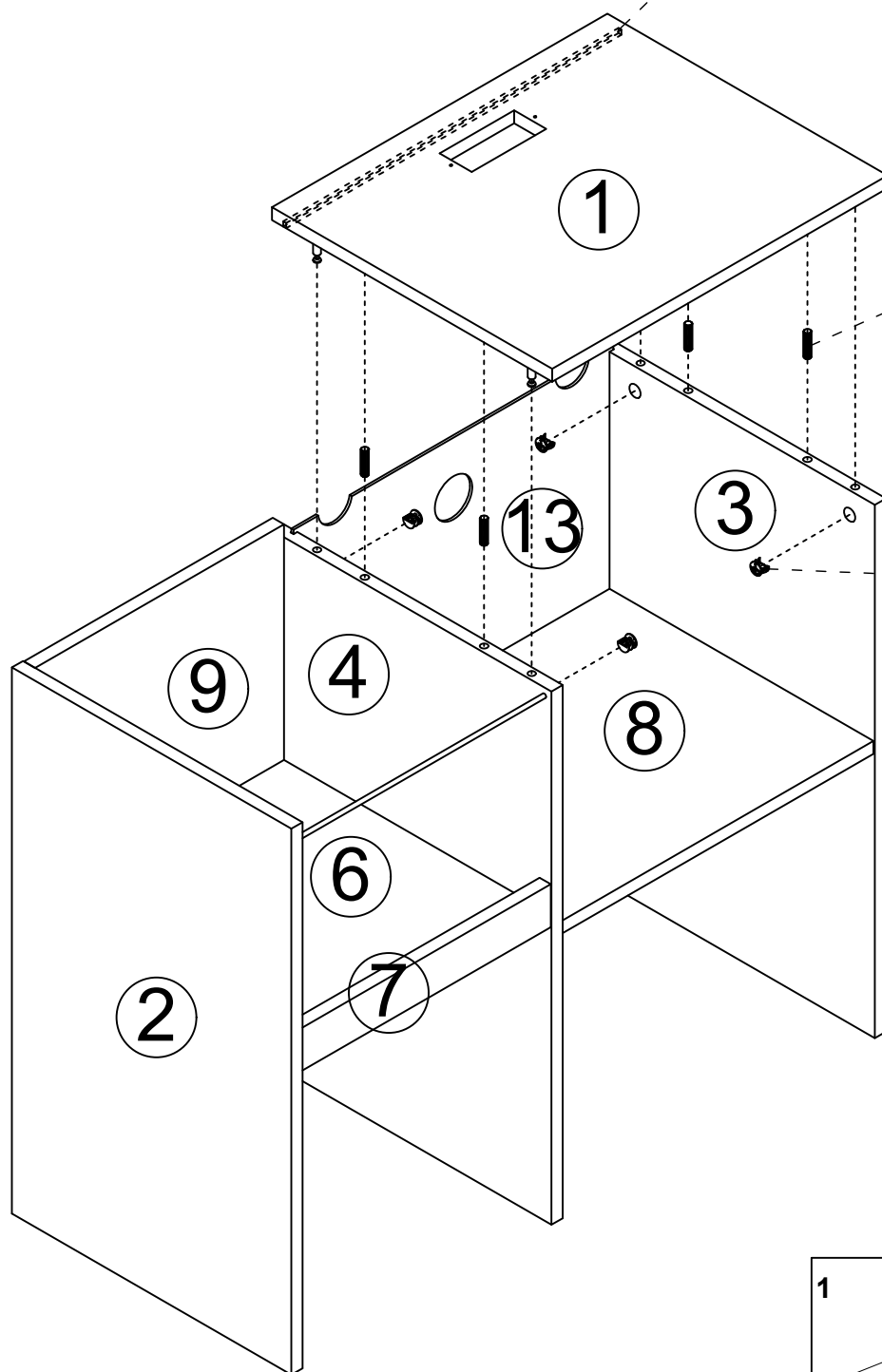
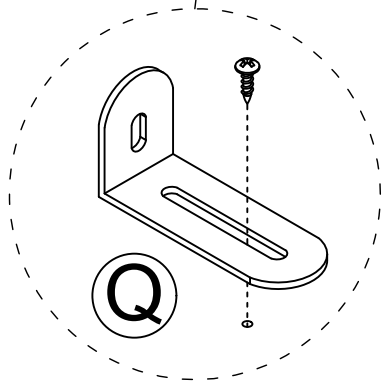


Turn Over

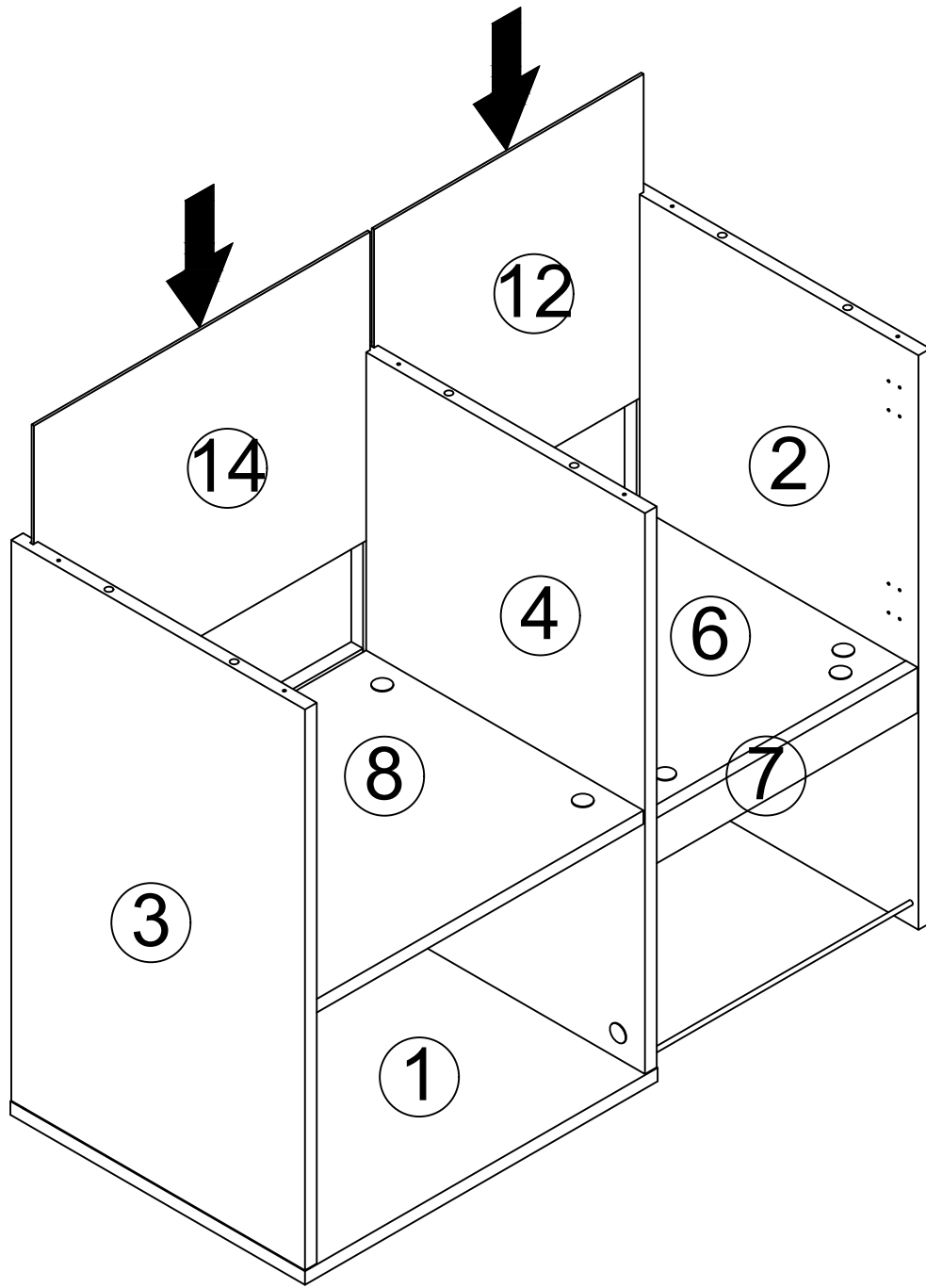


180°

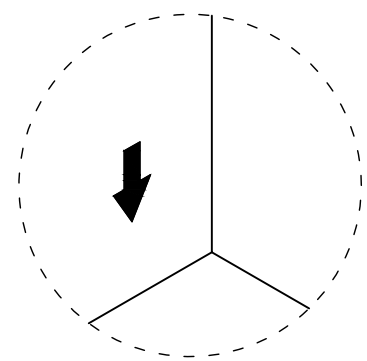
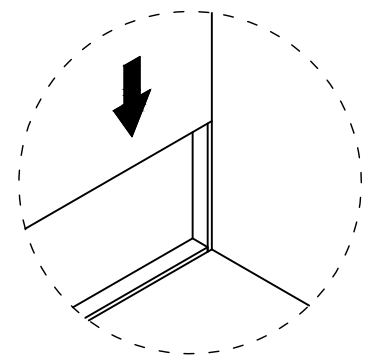
Install with groove facing down.



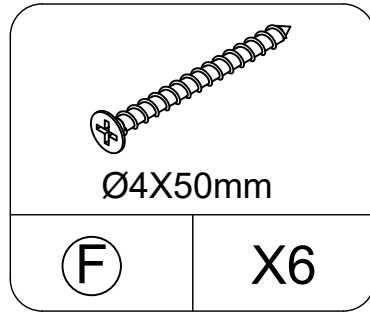
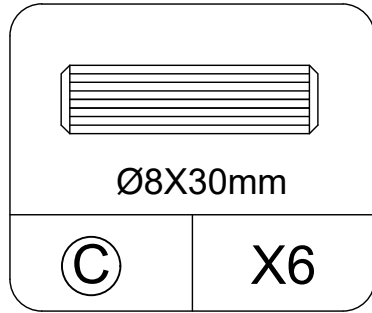
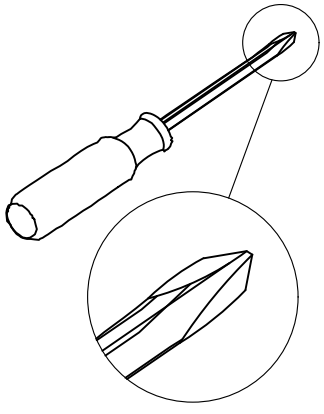
STEP11



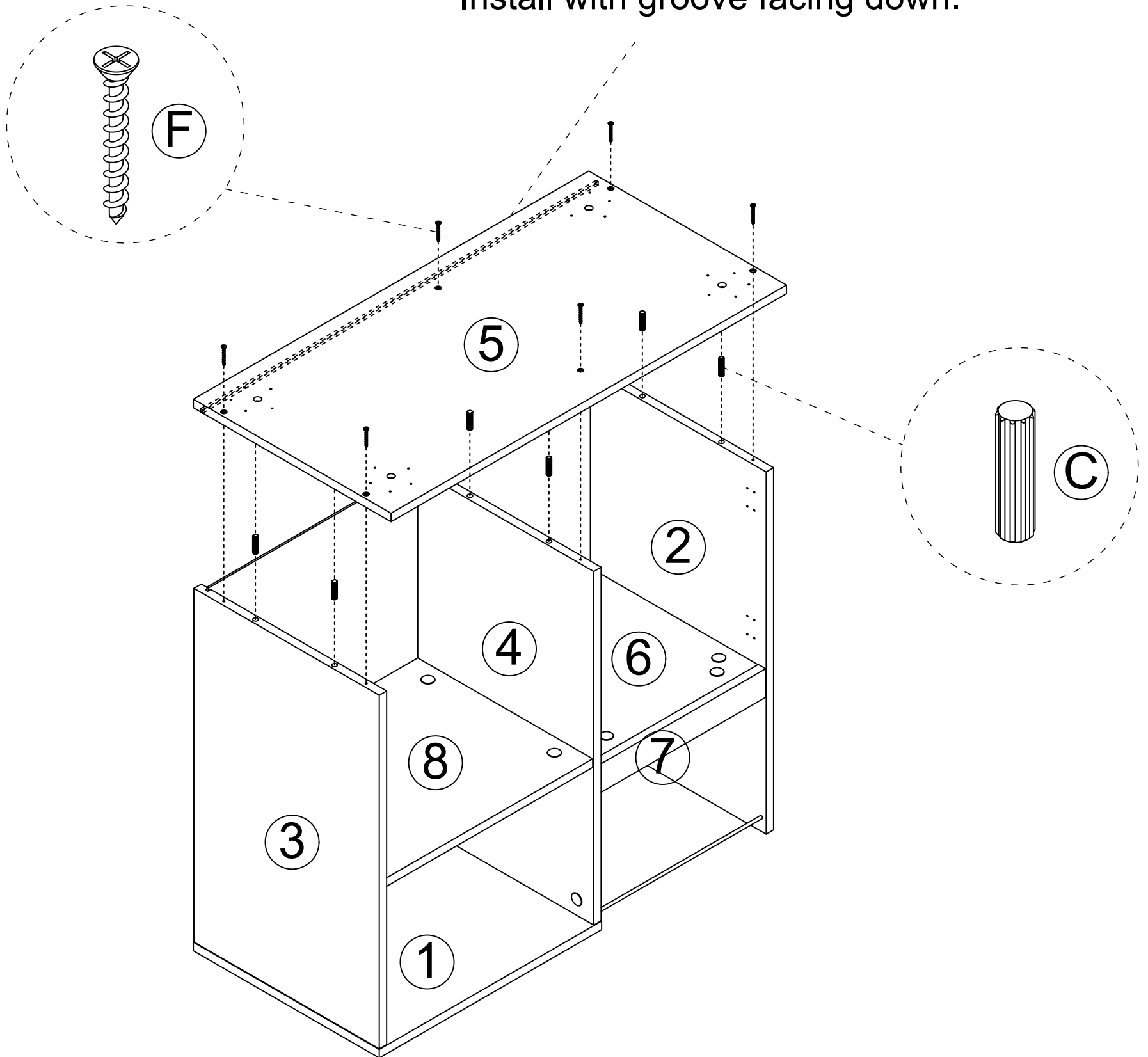
Thin back board needs to be inside the slot, otherwise blocks the opposite plate montage.



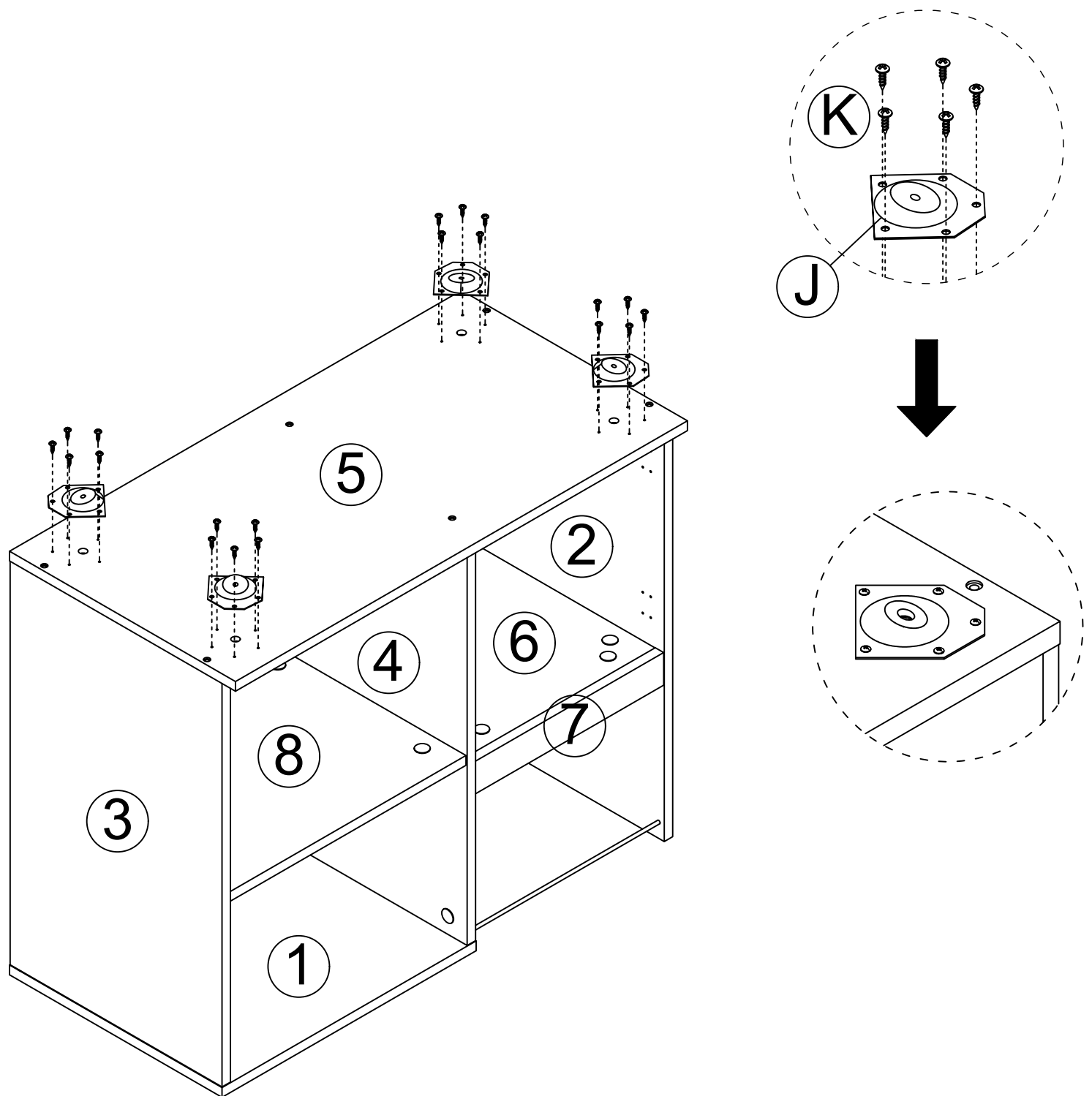
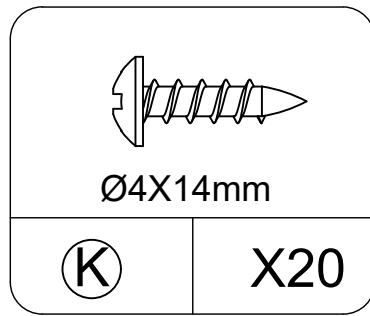
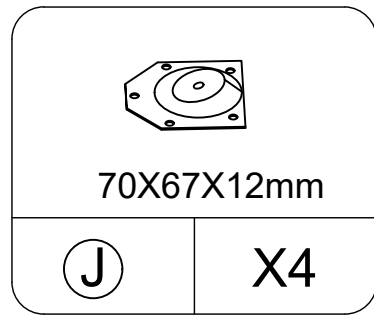
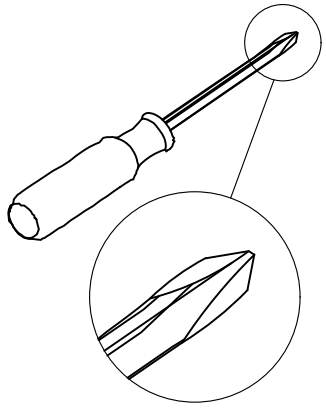
STEP12



Install with groove facing down.

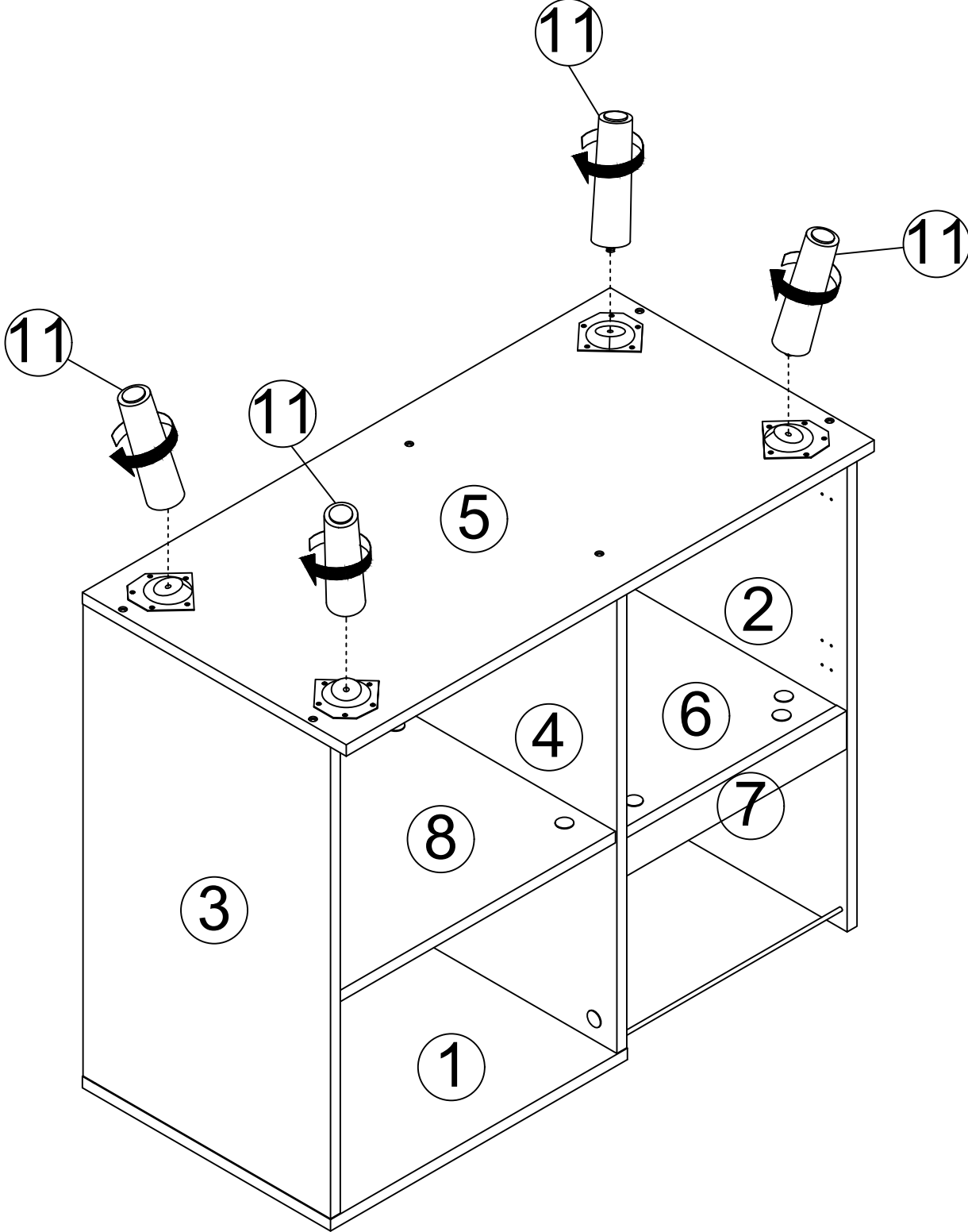


STEP13

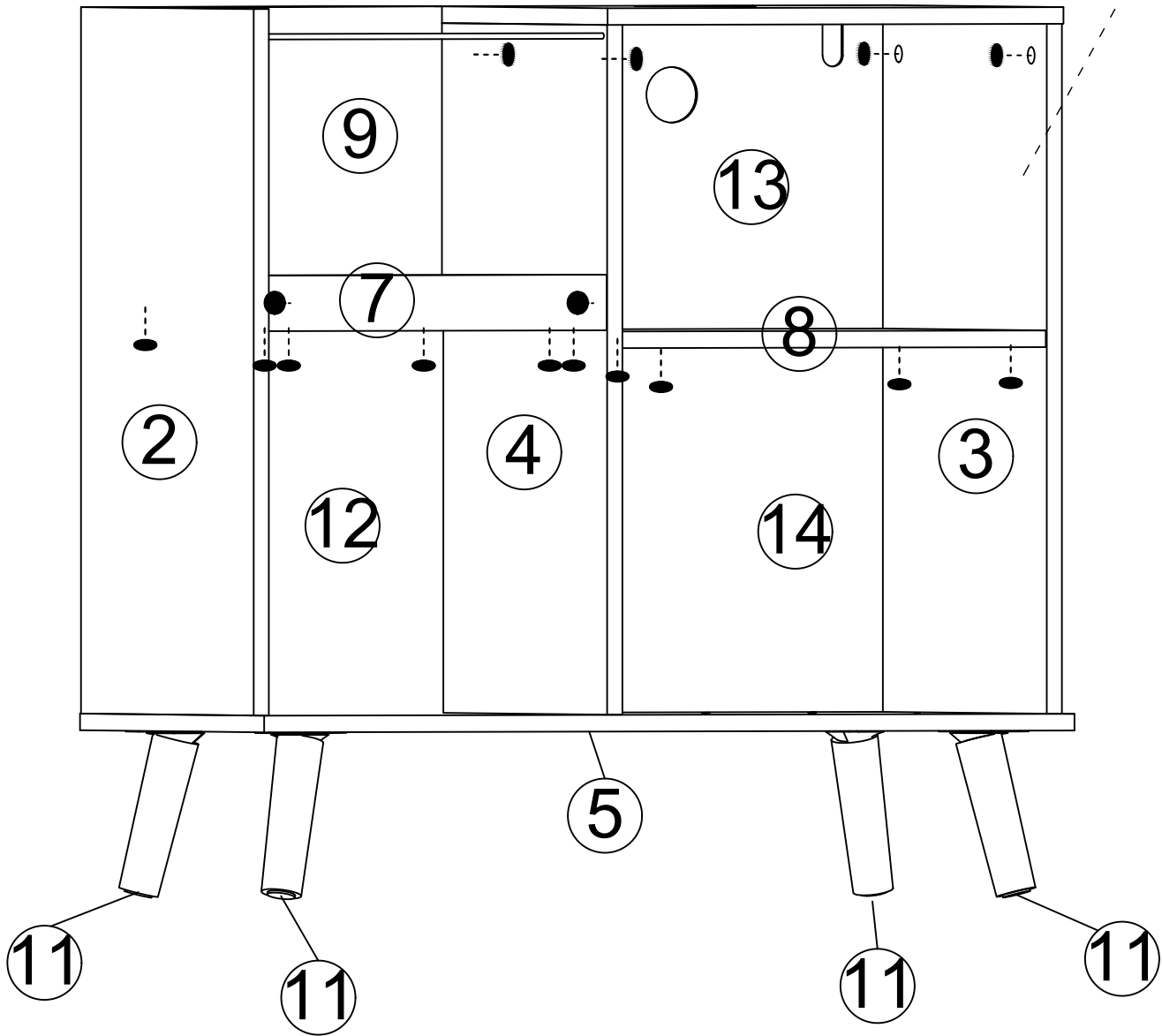
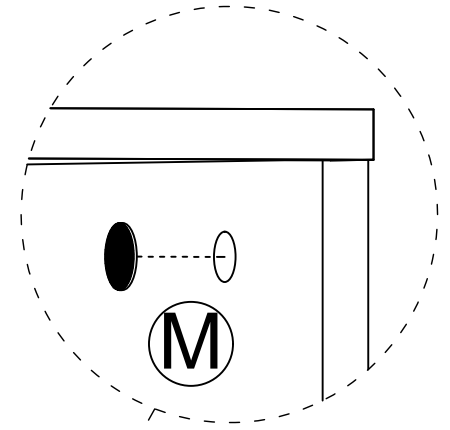
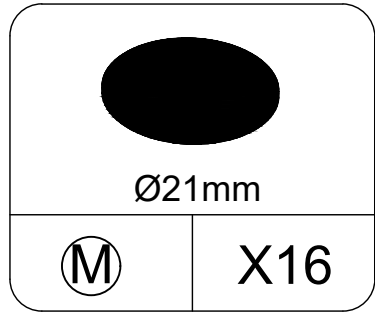
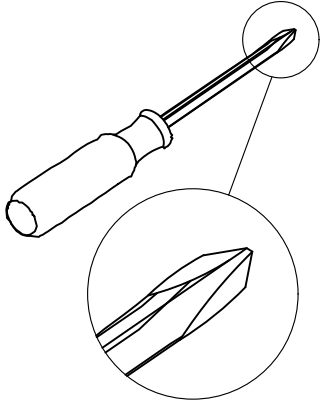


Pay attention to the iron sheet installation direction, as shown in the figure, otherwise it will affect the next step.

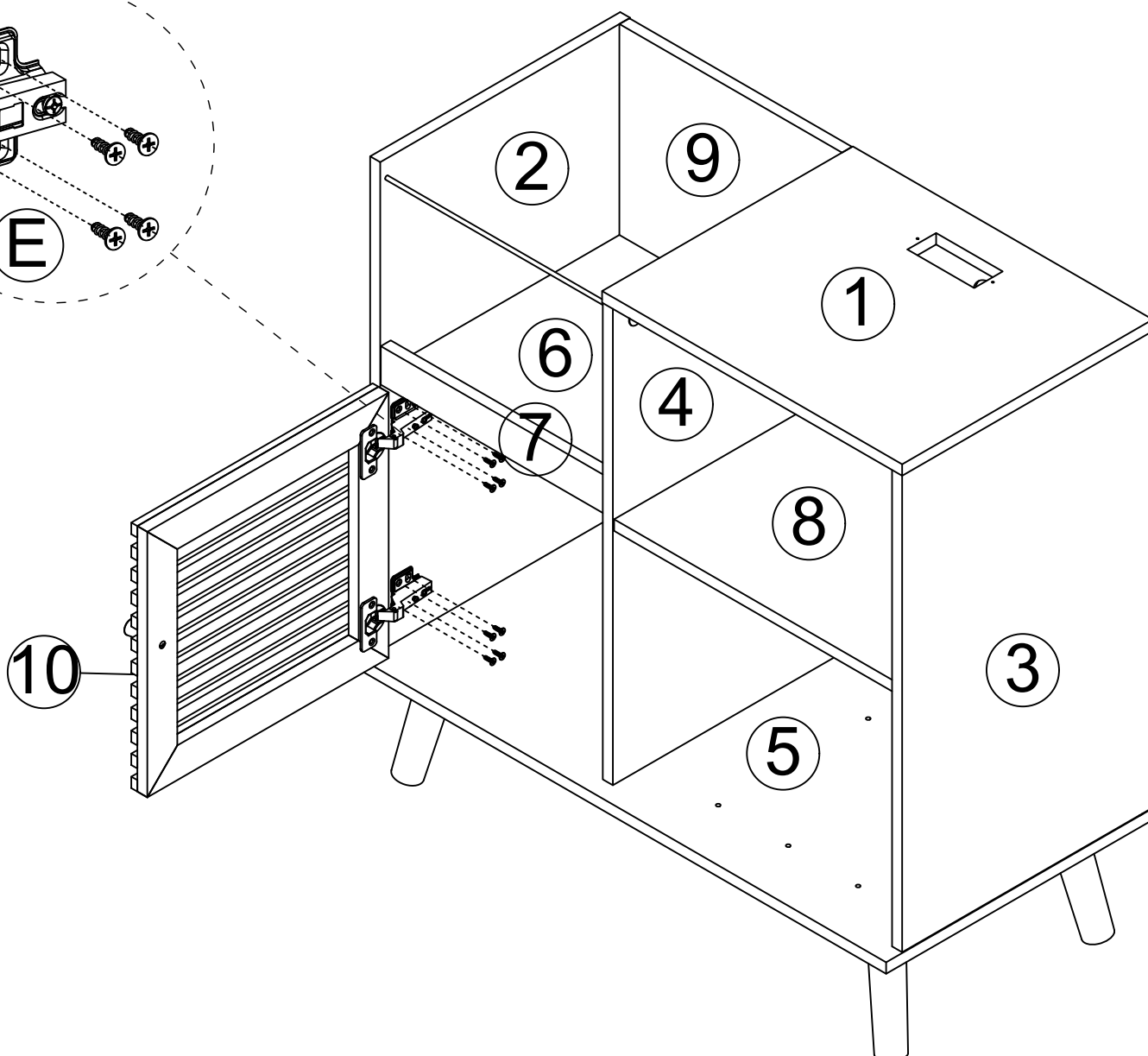
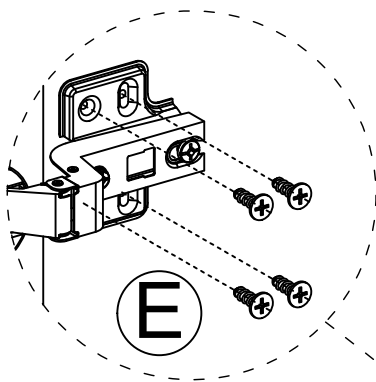
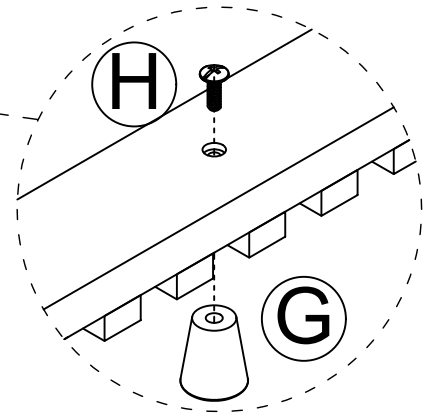
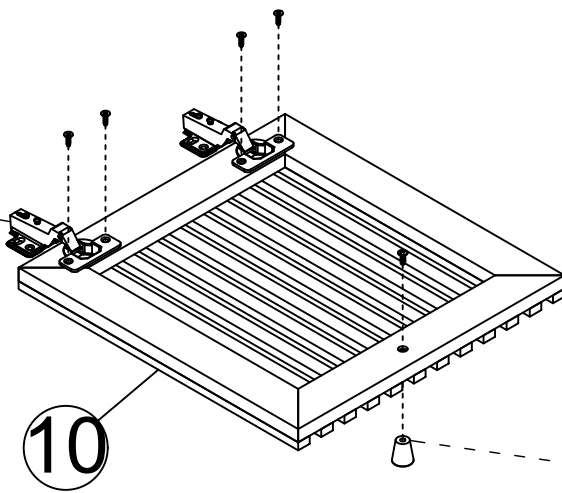
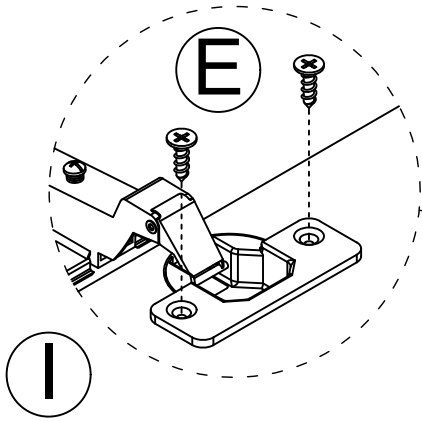
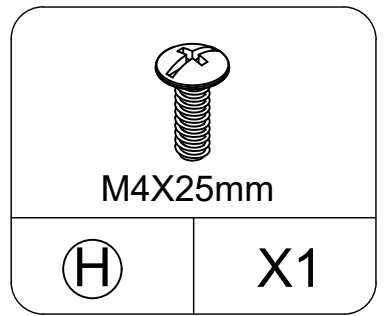
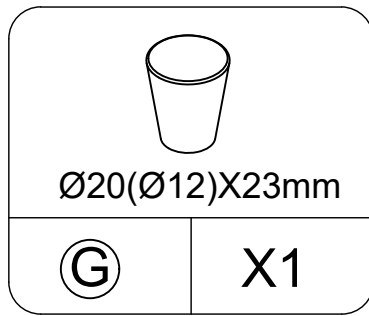
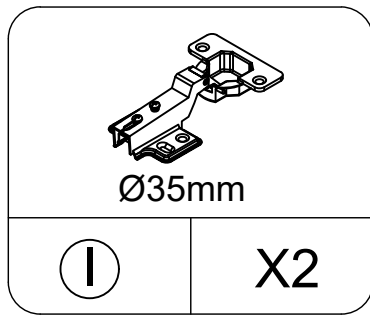
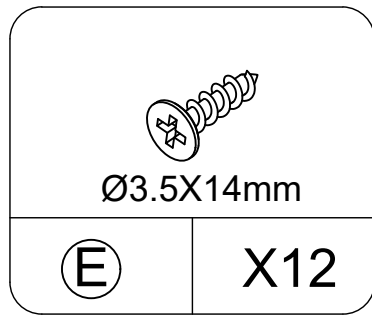
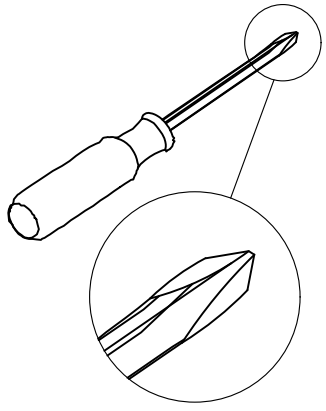
STEP 14



STEP15

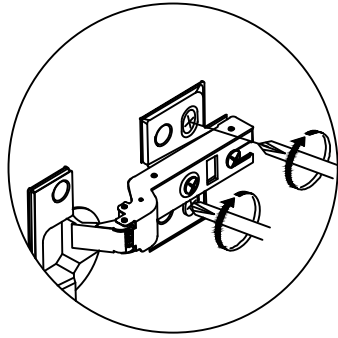
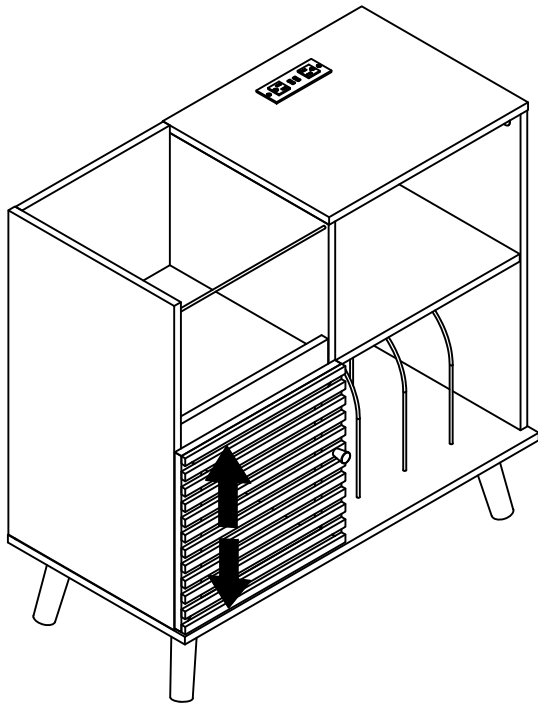


STEP 16

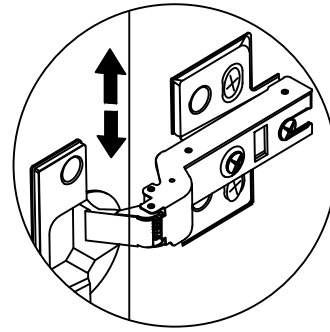


STEP 17

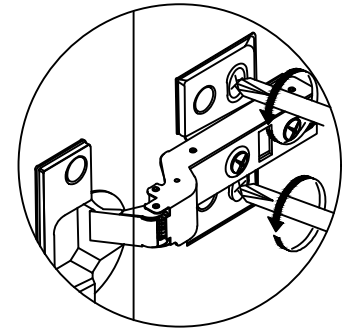
NOTE : If you notice that the cabinet doors are not properly aligned, such as significant gaps or vertical or horizontal misalignment, please adhere to the following adjustment instructions.



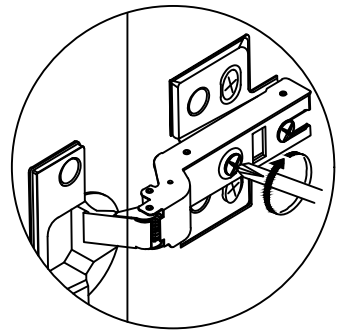
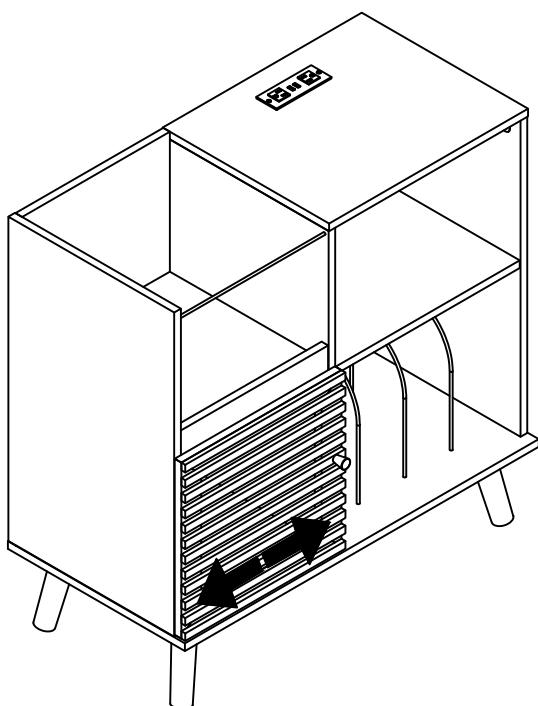
**lose these
2 screws**



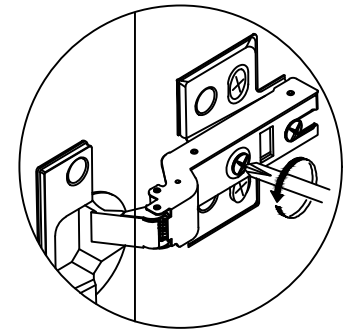
**move hinge
up/down**



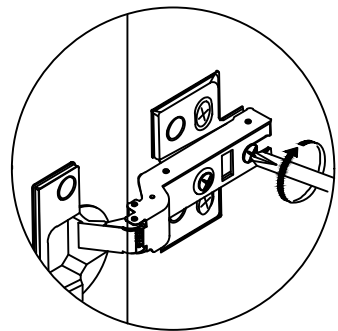
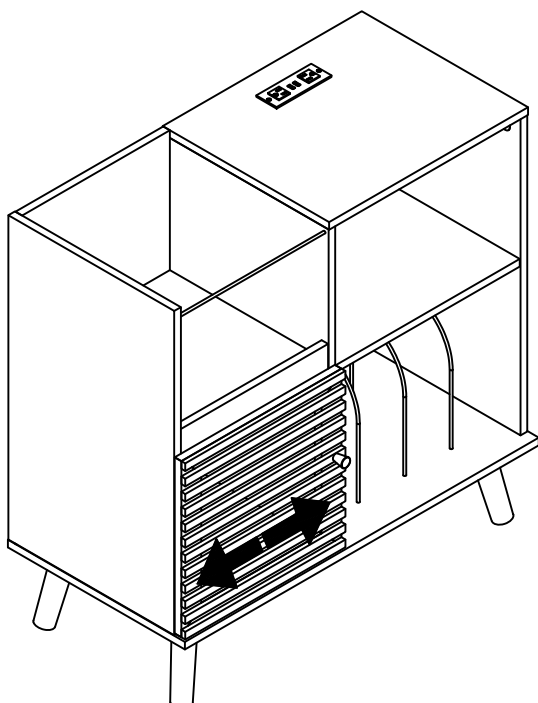
**tighten these
2 screws again**



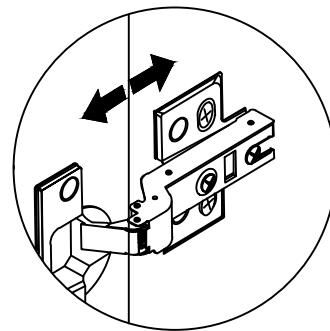
**lose this screw would get
hinge/door closer to side board**



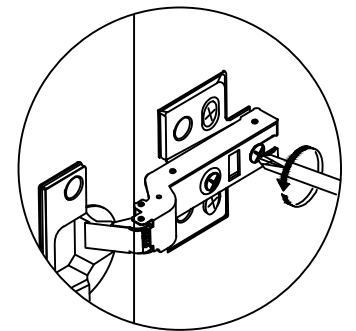
**tighten this screw would get
hinge/door away from side board**



lose this screw

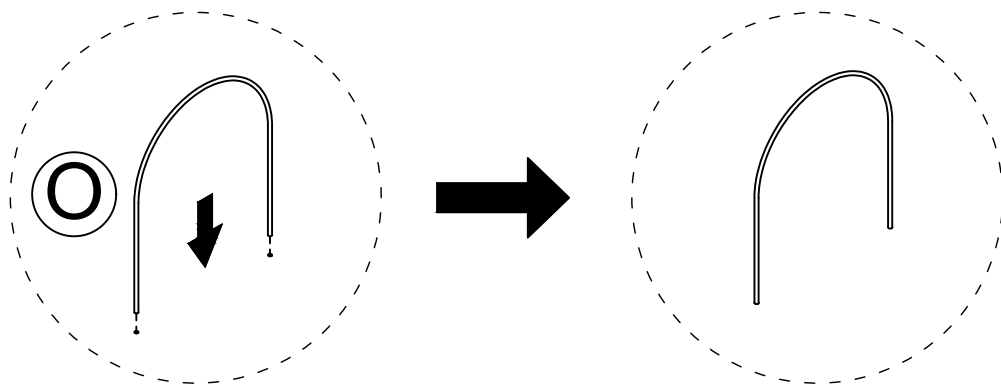
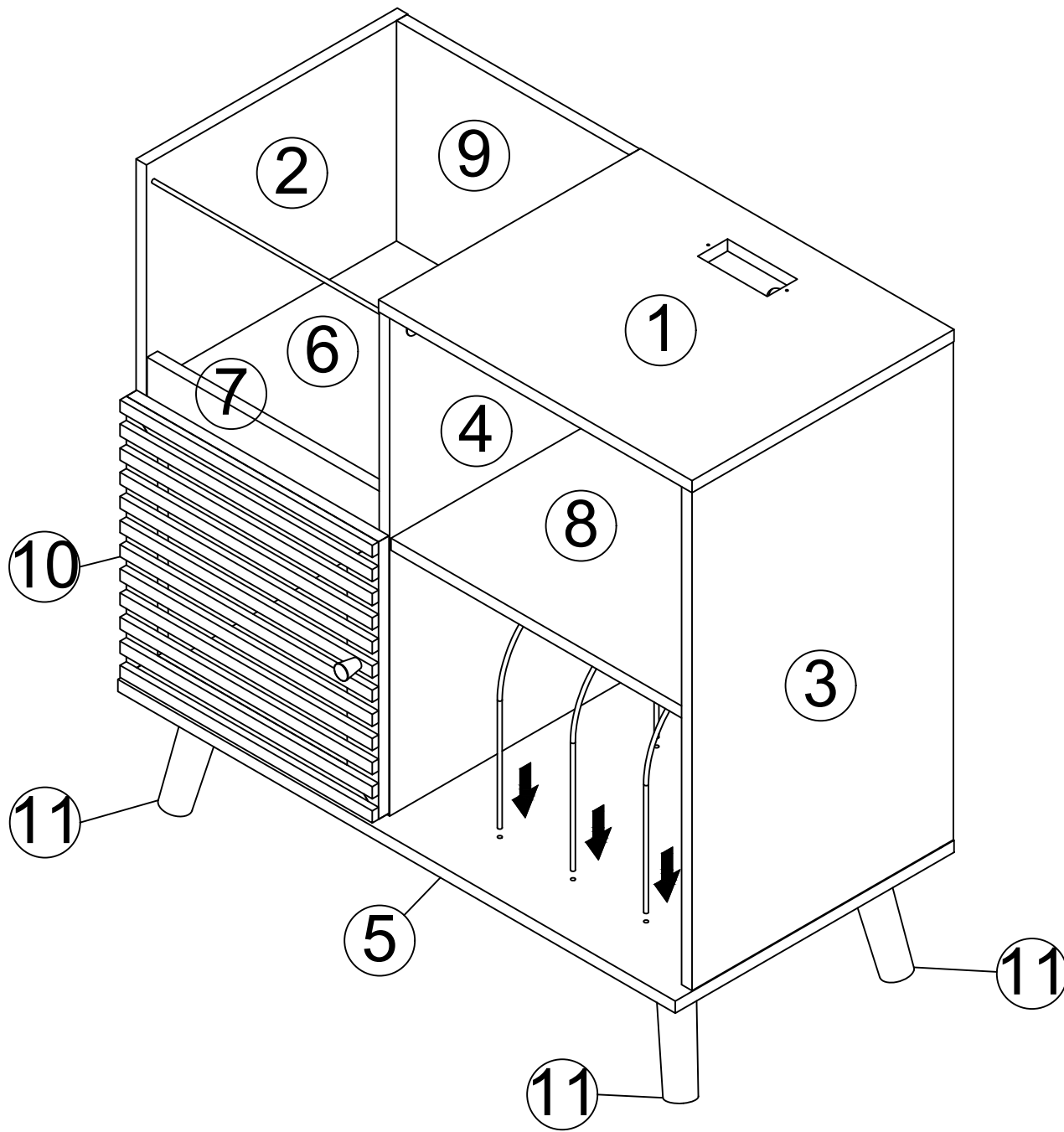
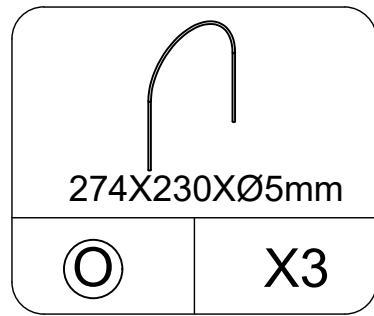


**shift hinge
in/out**

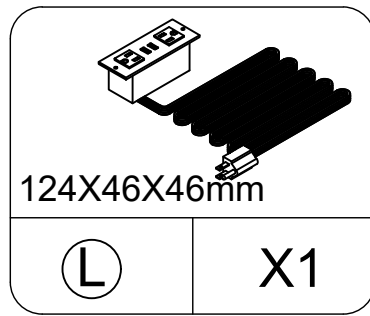
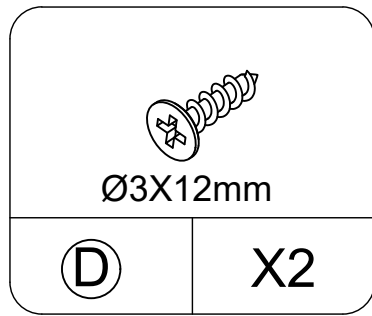
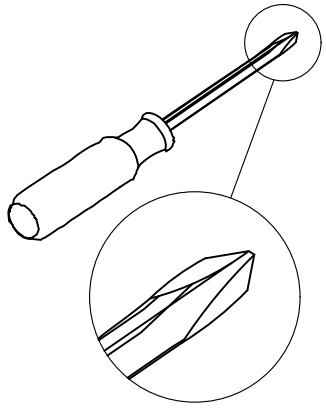


**tighten this
screw again**

STEP18



STEP19

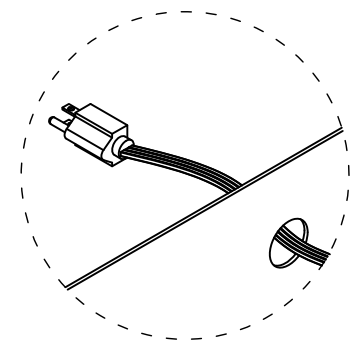


Step 1

Pass the USB socket wire through the panel slot

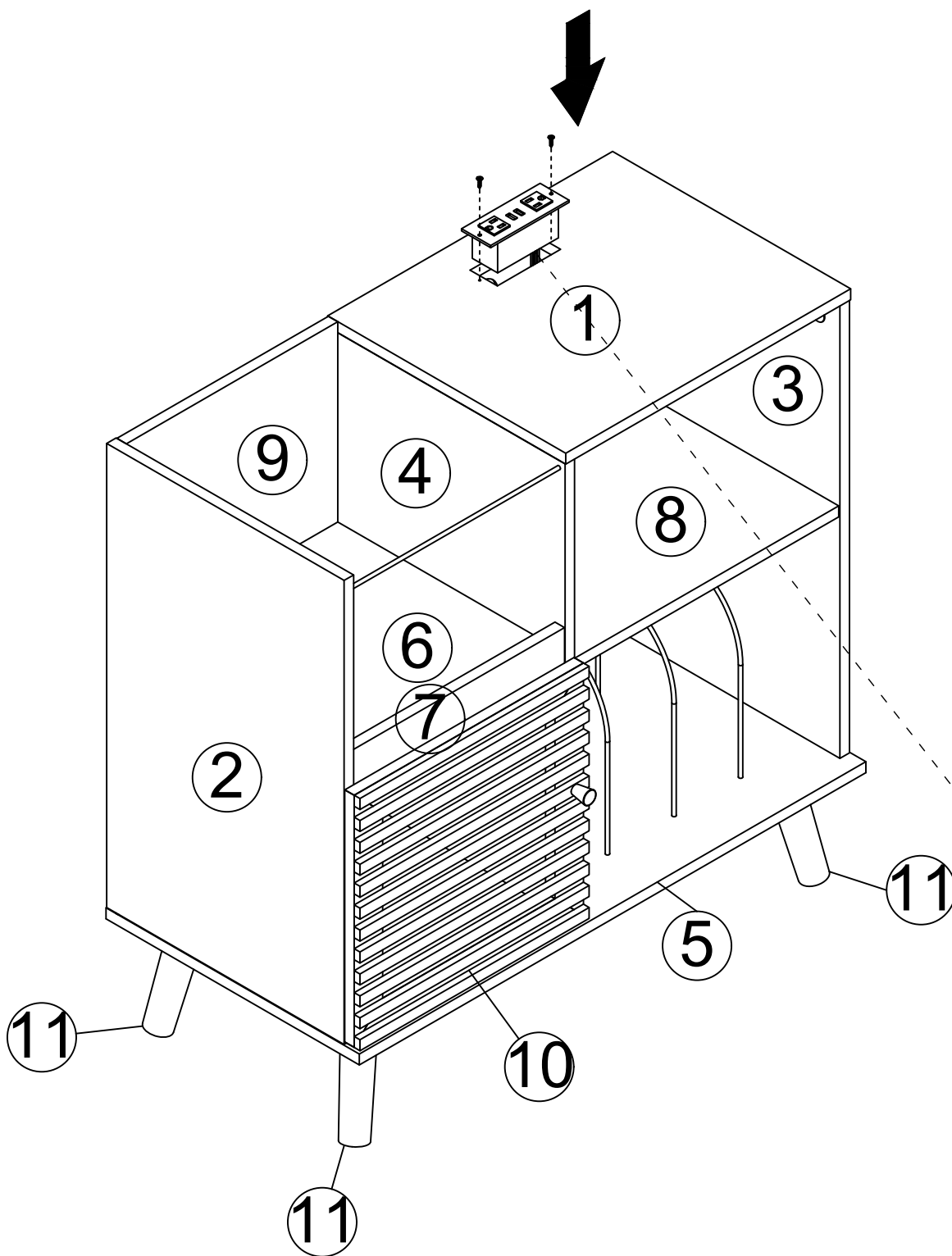
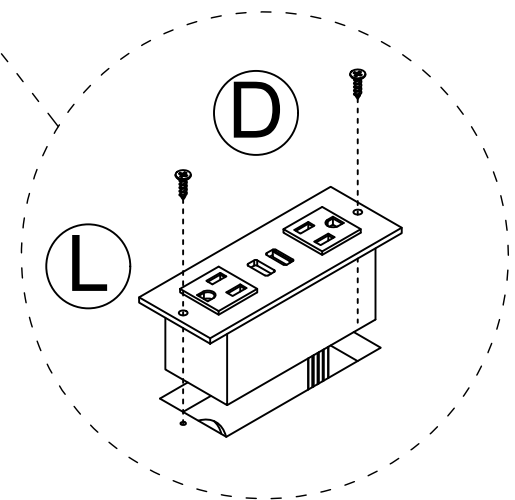
Step 2

The plug end is then passed through the back plate hole and pulled to the back of the cabinet.

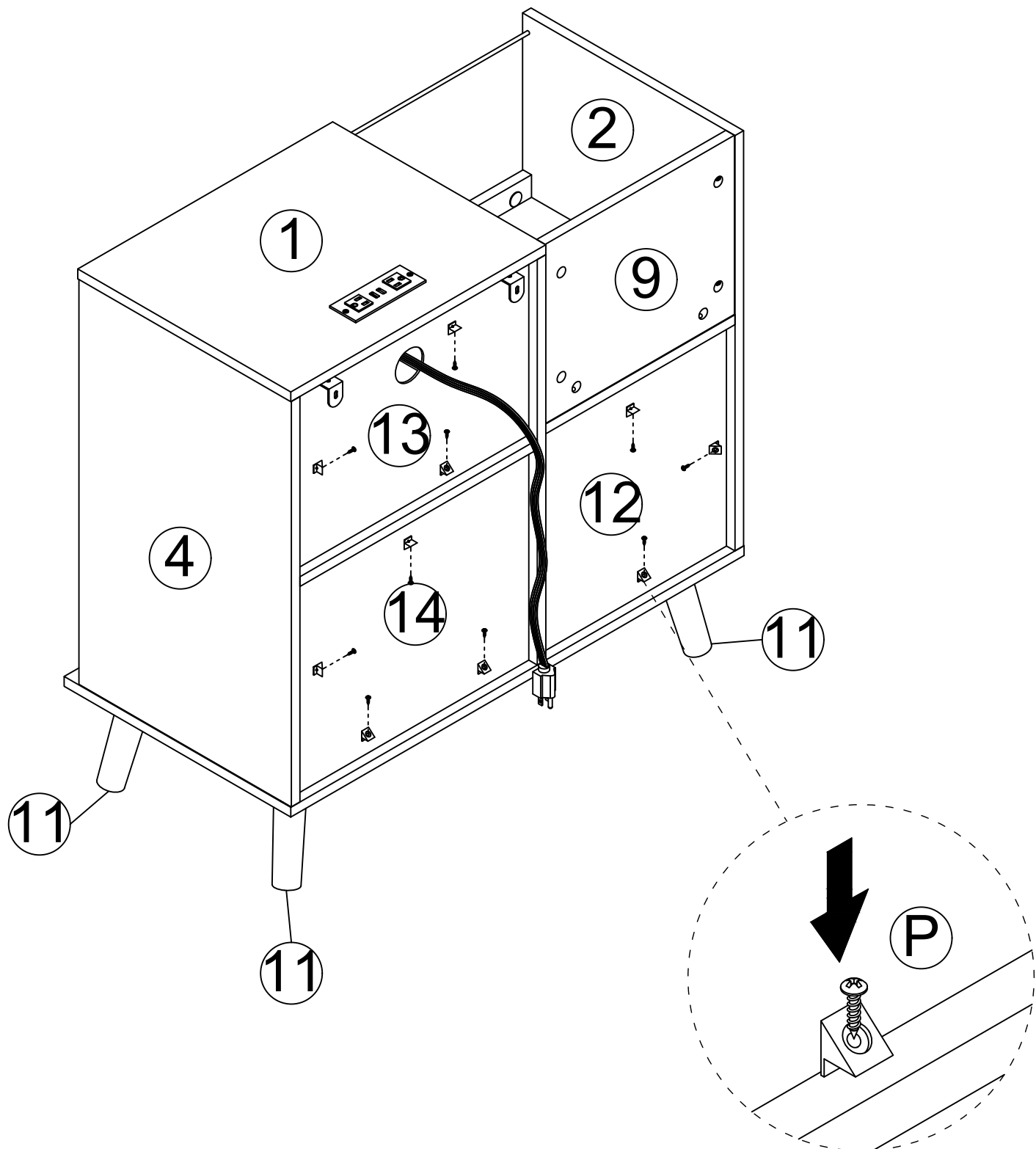
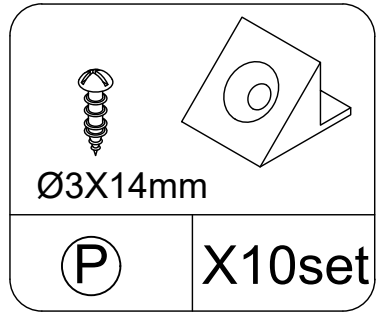
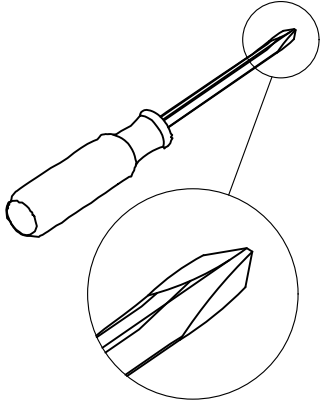


Step 3

Fix the USB socket to the panel

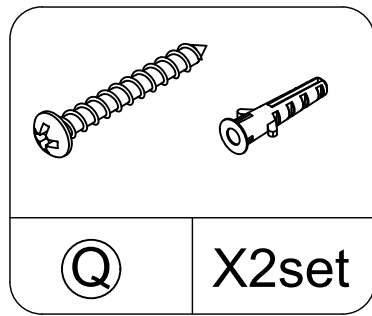
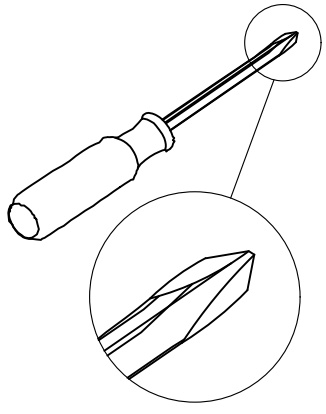


STEP20



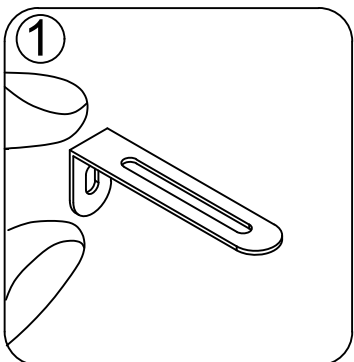
Insert the plastic buckle into the back plate slot, screw through the hole in the plastic buckle and lock it in place.

STEP21

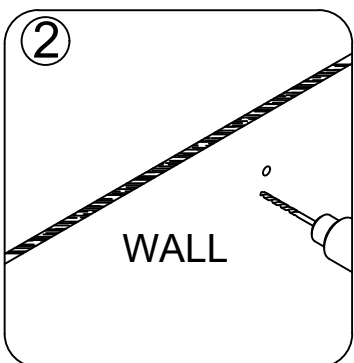


Note: Toppling preventer must be installed otherwise there is a risk of tipping

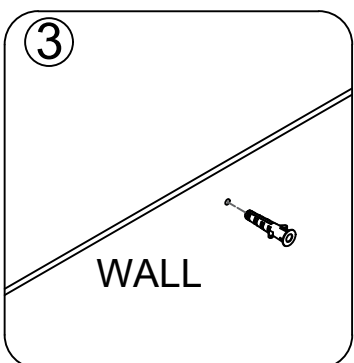
Install the tipping restraint hardware



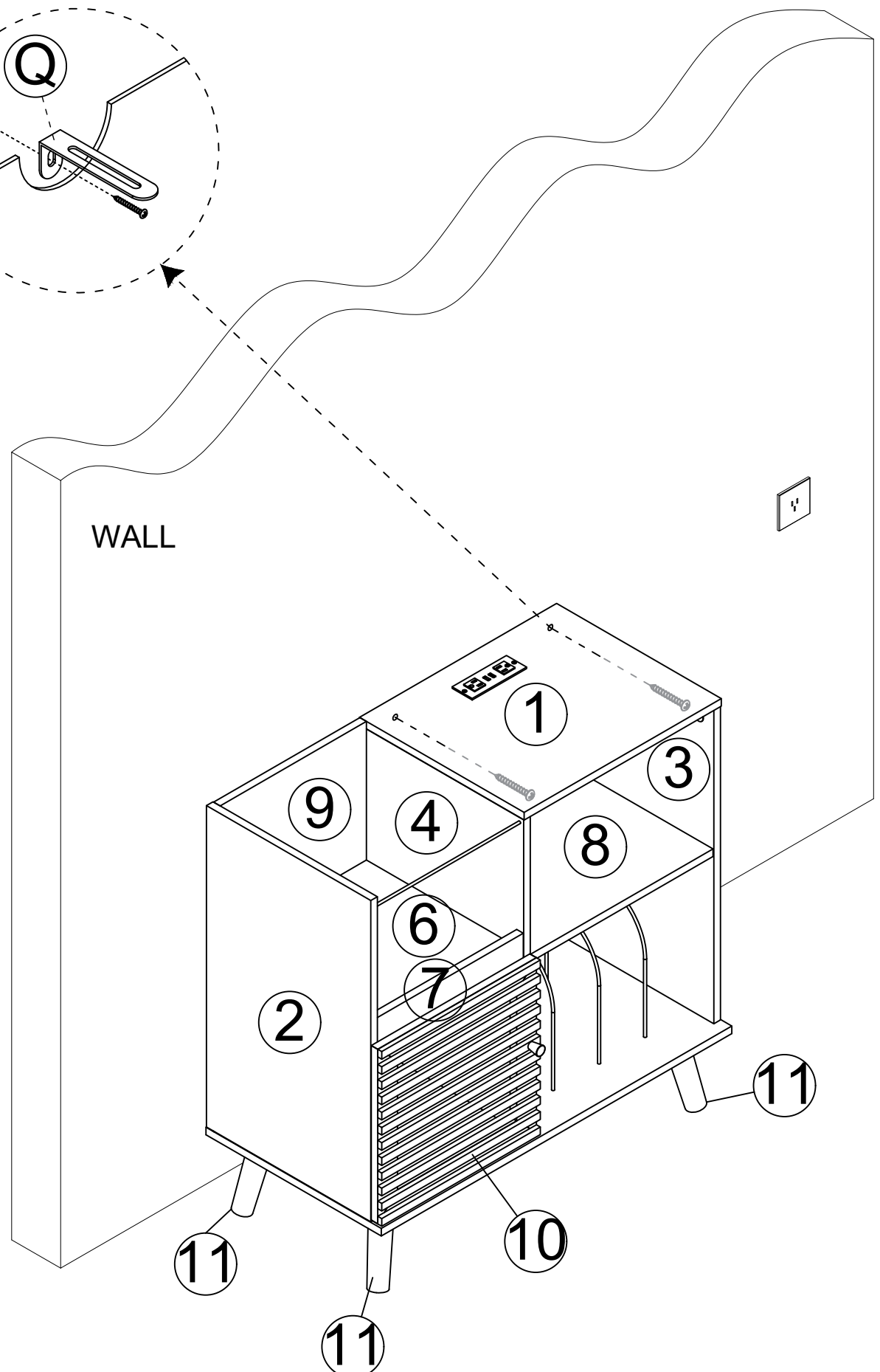
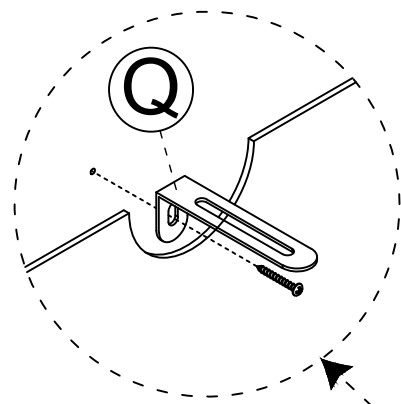
1. make mark on the wall



2. drill one $\varnothing 6$ holes on the wall



3. put one anchors in the holes





WARNING



Children have died from furniture tipover. To reduce the risk of furniture tipover:

- ALWAYS install tipover restraint provided.
- NEVER put a TV on this product.
- NEVER allow children to stand, climb or hang on drawers, doors, or shelves.
- NEVER open more than one drawer at a time.
- Place heaviest items in the lowest drawers.

