

COMPUTER DESK

ASSEMBLY INSTRUCTION



ASSEMBLY INSTRUCTION

ASSEMBLY TIPS :

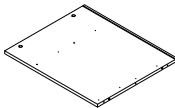
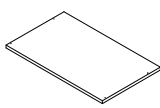
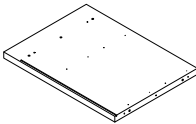
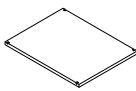
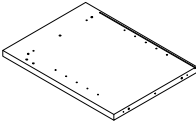
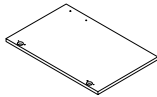
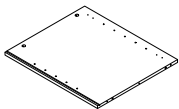
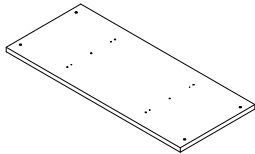
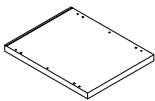
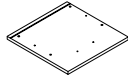
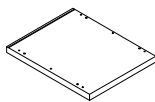
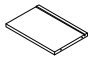
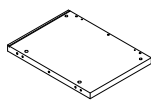
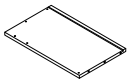
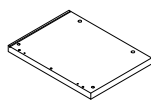
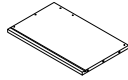
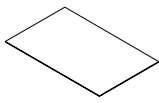
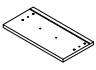
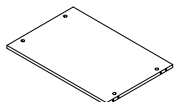
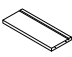
- 1.Remove hardware from box and sort by size.
- 2.Please check to see that all hardware and parts are present prior to start of assembly.
- 3.Please follow attached instructions in the same sequence as numbered to assure fast & easy assembly.



Warning !

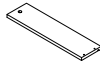
- 1.Don't attempt to repair or modify parts that are broken or defective.Please contact the store immediately.
- 2.This product is for home use only and not intended for commercial establishment.

PARTS IDENTIFICATION:

(A) LEFT SIDE PANEL		1PC	(K) KEYBOARD SHELF		1PC
(B) LEFT DIVIDER PANEL		1PC	(L) ADJUSTABLE SHELF		1PC
(C) RIGHT DIVIDER PANEL		1PC	(M) DOOR		1PC
(D) RIGHT SIDE PANEL		1PC	(N) LARGE TOP PANEL		1PC
(E) LEFT BOTTOM PANEL		1PC	(O) LARGE DRAWER FRONT PANEL		1PC
(F) RIGHT BOTTOM PANEL		1PC	(P) LARGE DRAWER BACK PANEL		1PC
(G) SMALL LEFT TOP PANEL		1PC	(Q) LARGE LEFT DRAWER SIDE PANEL		1PC
(H) SMALL RIGHT TOP PANEL		1PC	(R) LARGE RIGHT DRAWER SIDE PANEL		1PC
(I) SMALL BACK PANEL		2PCS	(S) SMALL DRAWER FRONT PANEL		1PC
(J) LARGE BACK PANEL		1PC	(T) SMALL DRAWER BACK PANEL		1PC

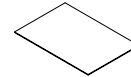
ASSEMBLY INSTRUCTION

(U) SMALL LEFT DRAWER SIDE PANEL



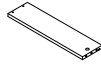
1PC

(W) DRAWER BOTTOM PANEL



2PCS

(V) SMALL RIGHT DRAWER SIDE PANEL



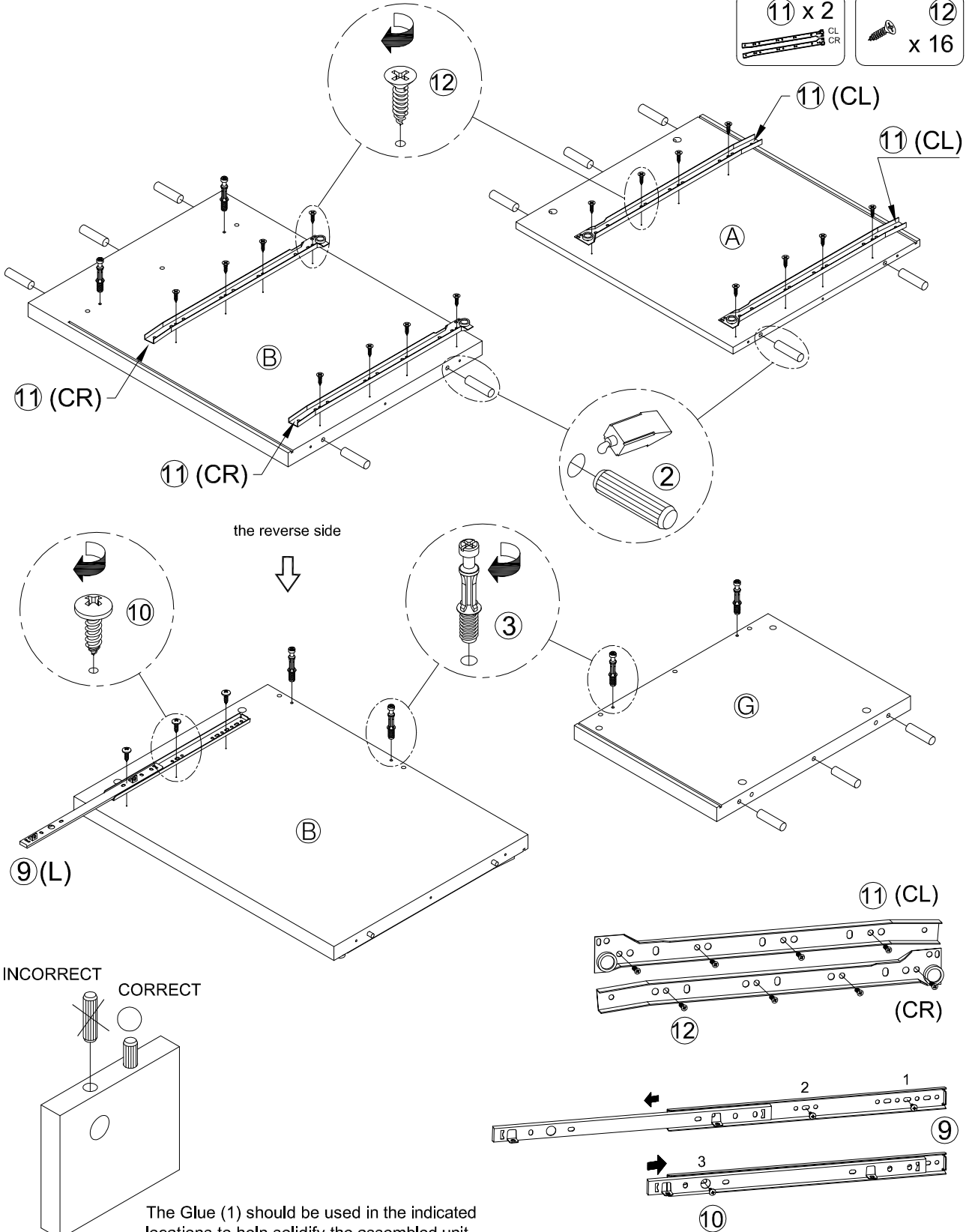
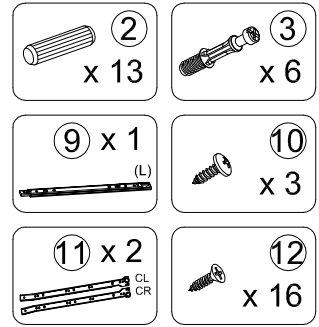
1PC

Z HARDWARE PACKAGE							
NO	DESCRIPTION	FIGURE	Q'TY	NO	DESCRIPTION	FIGURE	Q'TY
1	GLUE 40g		1PC	12	SCREW \varnothing 3x12mm FOR EURO SLIDE		28PCS
2	WOODEN DOWEL \varnothing 8x30mm		38PCS	13	HANDLE L=120mm		3PCS
3	CAM BOLT \varnothing 7x35.5mm		20PCS	14	HANDLE BOLT \varnothing 4x20mm		6PCS
4	CAM LOCK \varnothing 15x12mm		20PCS	15	FOOT 50x50x18mm		8PCS
5	BOLT \varnothing 9.5x55mm FOR BOTTOM PANEL		12PCS	16	LONG SCREW \varnothing 4x25mm		16PCS
6	SCREW \varnothing 4.3x35mm FOR DRAWER		8PCS	17	HINGE		2PCS
7	DOOR CATCH		1PC	18	SCREW \varnothing 4x15mm FOR HINGE		8PCS
8	PIN \varnothing 4.9x8mm		4PCS	19	IRON BAR L=80mm		4PCS
9	RAIL L = 350mm		1SET	20	BOLT M6x38mm FOR IRON BAR		4PCS
10	SCREW \varnothing 3.5x12mm FOR RAIL		10PCS	21	IRON BAR \varnothing 4.8x312mm		2PCS
11	EURO SLIDE L = 450mm		2SET	22	STICKER \varnothing 20mm		4PCS

ASSEMBLY INSTRUCTION

STEP 1 :

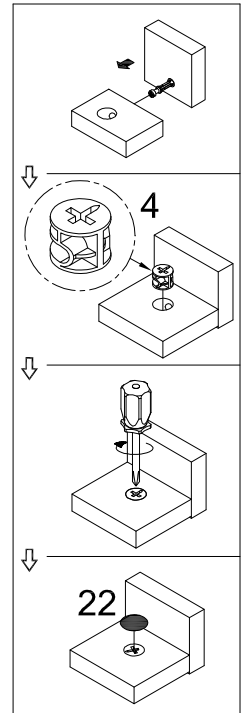
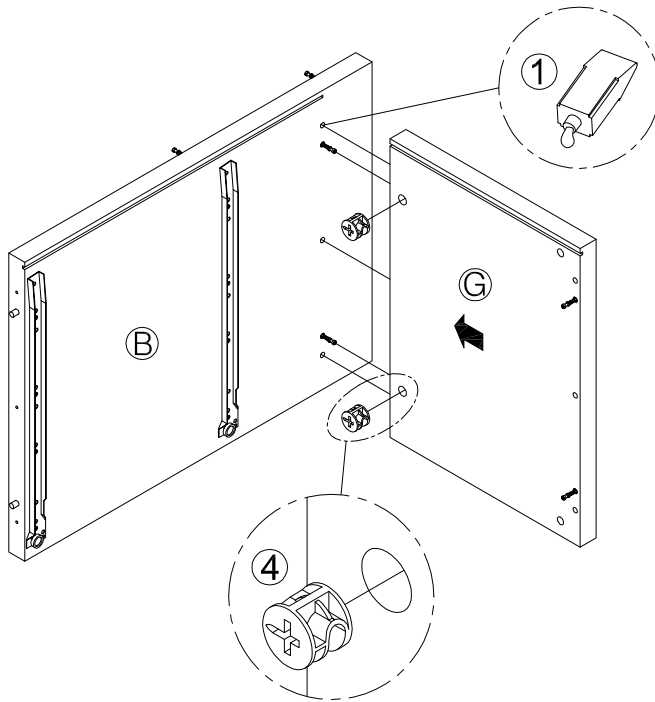
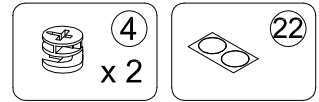
Insert Wooden dowel (2) into the holes on the two sides of Left side panel (A) & Left divider panel (B).
 Insert Wooden dowel (2) into the holes on one side of Small left top panel (G).
 Insert and screw Cam bolt (3) into the holes on the Left divider panel (B) & Small left top panel (G).
 Using Screw (12), attach Rail (11-CL) on Left side panel (A) and (11-CR) on Left divider panel (B).
 Using Screw (10), attach Rail (9-L) on the reverse side of the Left divider panel (B).



ASSEMBLY INSTRUCTION

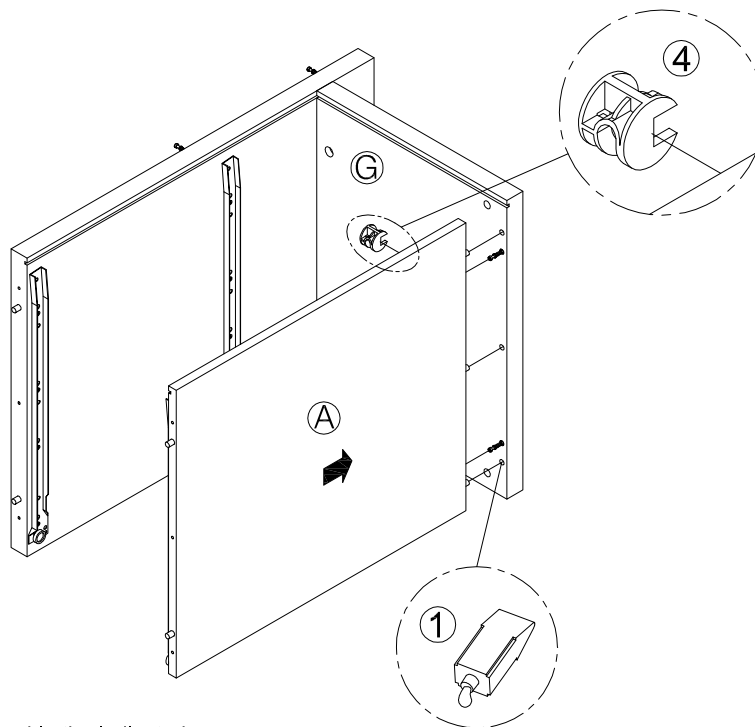
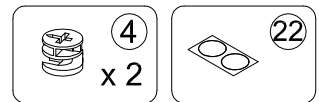
STEP 2 :

Connect Small left top panel (G) with Left divider panel (B) .
When Cam Bolt (3) is attached, insert Cam Lock (4) and tightly fasten
by turning clockwise.



STEP 3 :

Apply the same technique to connect Left side panel (A) with Small left
top panel (G) and cover Cam lock (4) with wood colored stickers (22) .

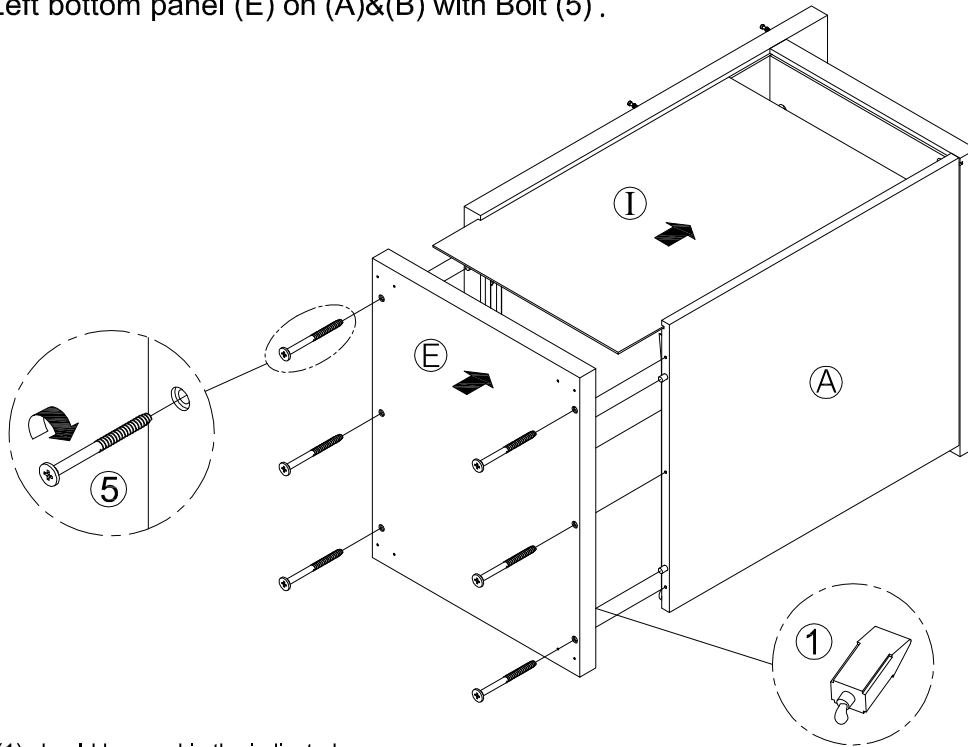
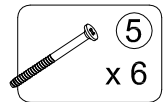


The Glue (1) should be used in the indicated
locations to help solidify the assembled unit.

STEP 4 :

Insert Small back panel (I) between Left side panel (A) & Left divider panel (B) along slots.

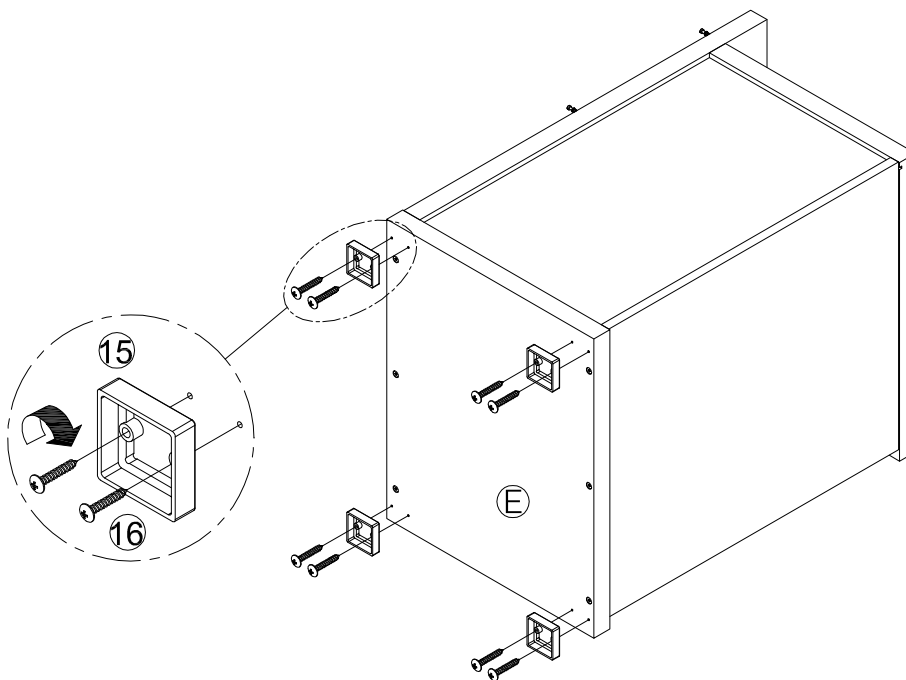
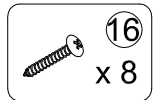
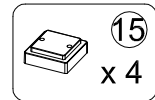
Attach Left bottom panel (E) on (A)&(B) with Bolt (5).



The Glue (1) should be used in the indicated locations to help solidify the assembled unit.

STEP 5 :

Fasten Feet (15) on Left bottom panel (E) with Long screw (16).



STEP 6 :

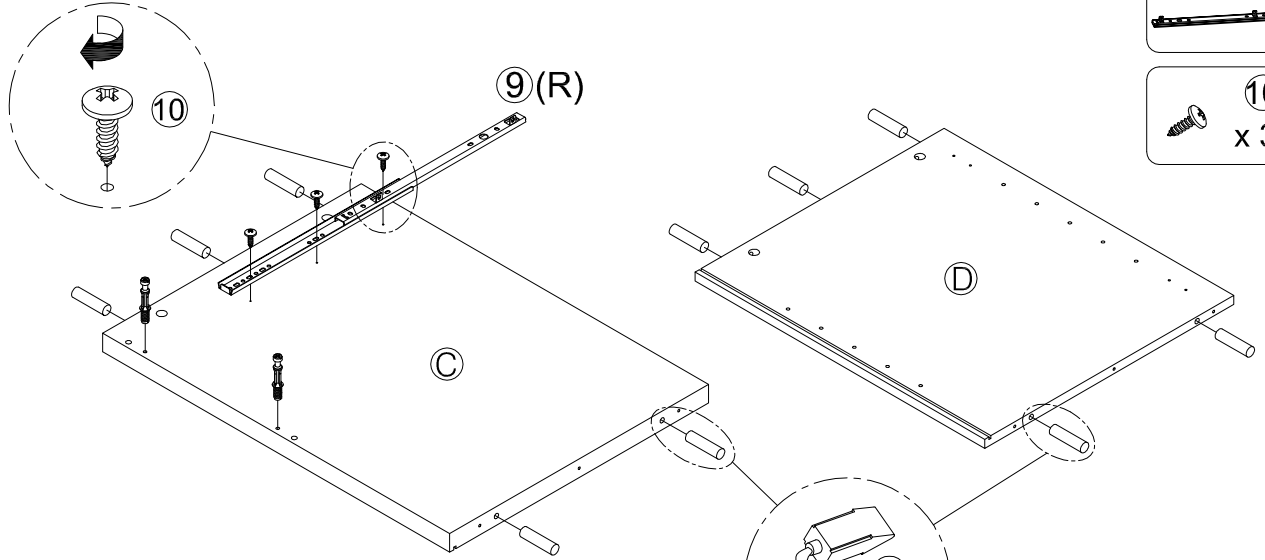
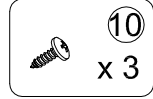
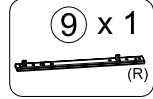
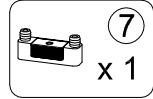
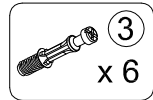
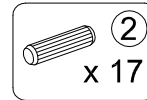
Insert Wooden dowel (2) into the holes on the two sides of Right divider panel (C) & Right side panel (D) & Large back panel (J).

Insert Wooden dowel (2) into the holes on one side of Small right top panel (H).

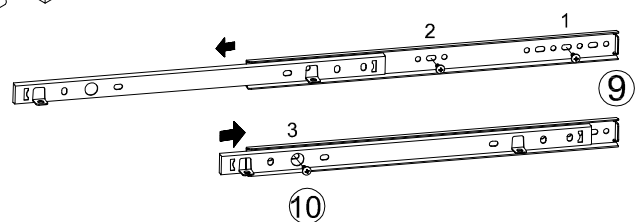
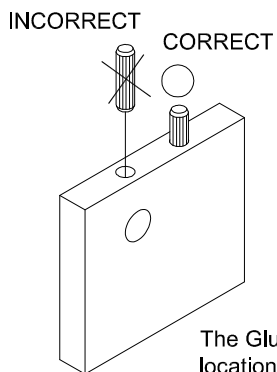
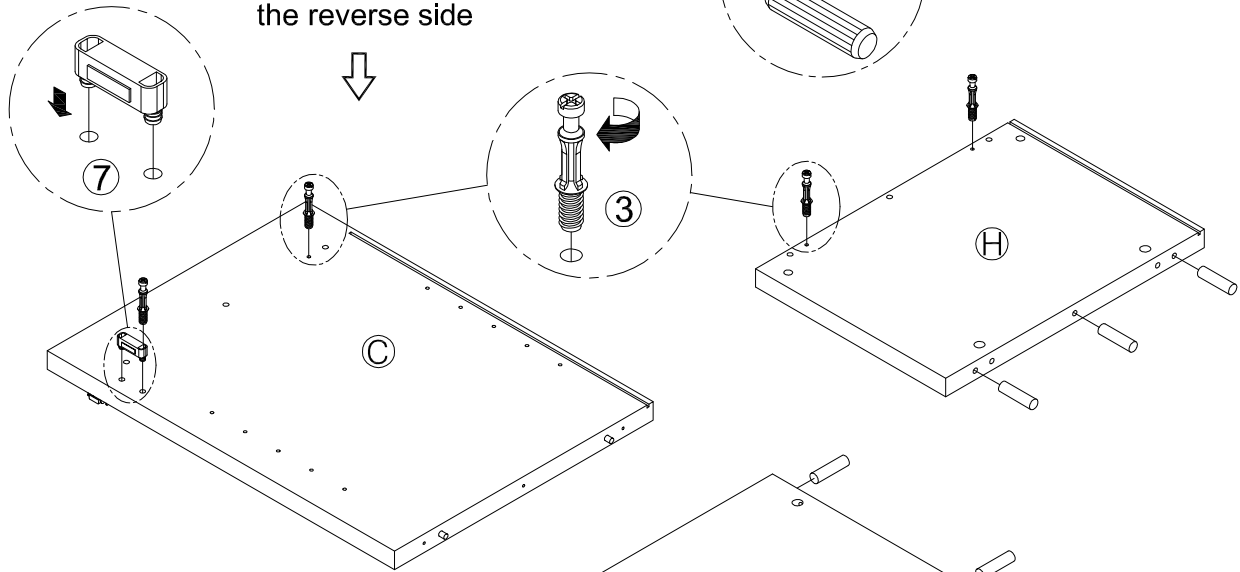
Insert and screw Cam bolt (3) into the holes on both sides of Right divider panel (C) & Small right top panel (H).

Screw on Rail (9-R) on the Right divider panel (C) with Screws (10).

Insert Door catch (7) on the reverse side of the Right divider panel (C).

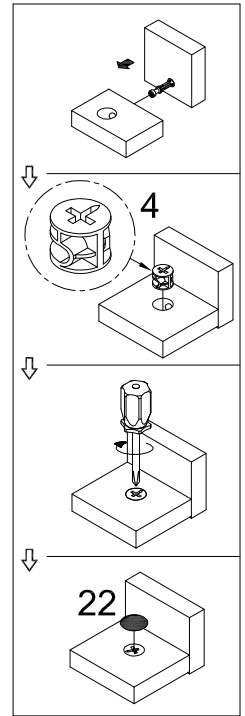
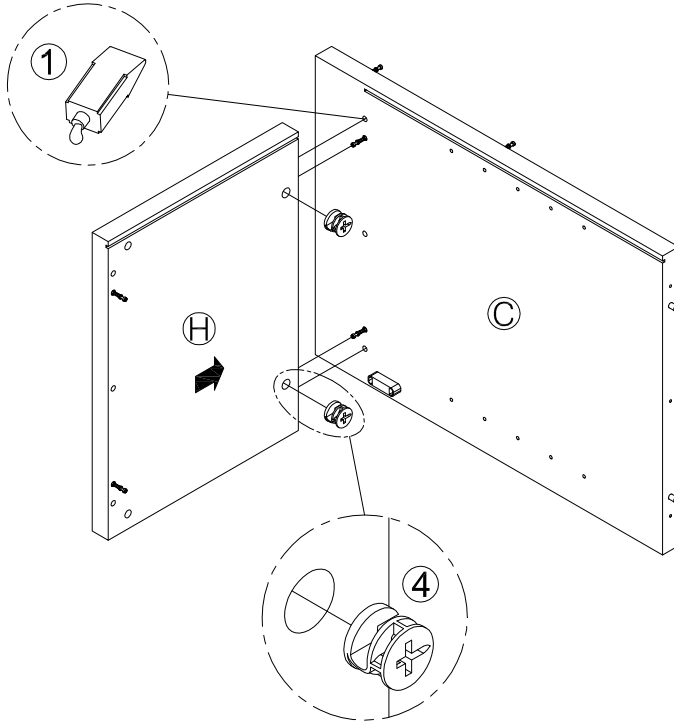
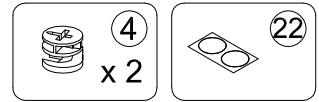


the reverse side



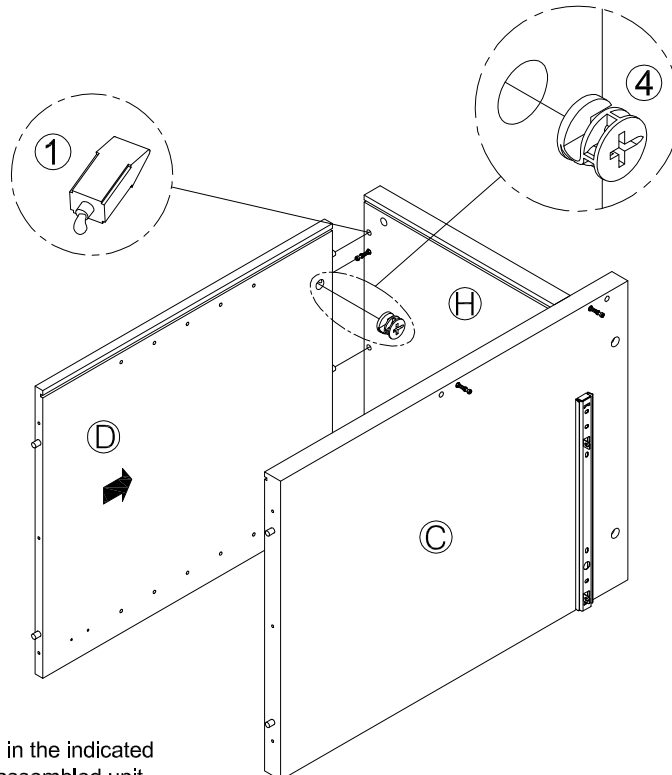
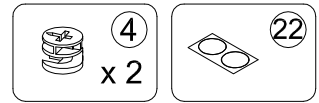
STEP 7 :

Connect Small right top panel (H) with Right divider panel (C).
When Cam bolt (3) is attached, insert Cam Lock (4) and fasten by turning clockwise.



STEP 8 :

Apply the same technique to connect Right side panel (D) with Small right top panel (H) and cover Cam lock (4) with wood colored stickers (22).

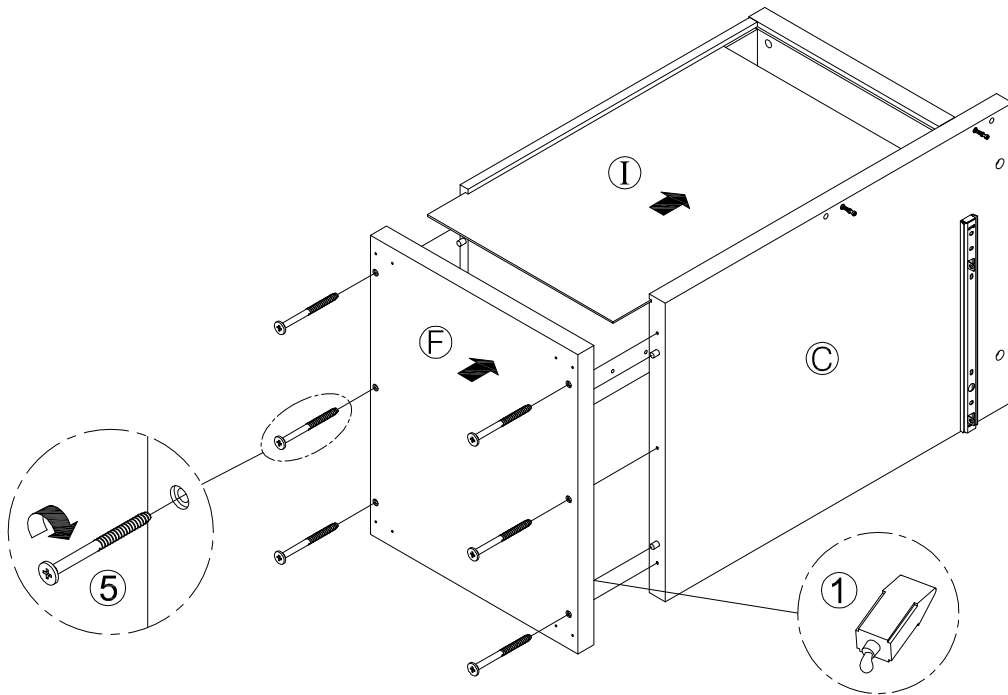
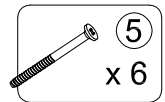


The Glue (1) should be used in the indicated locations to help solidify the assembled unit.

ASSEMBLY INSTRUCTION

STEP 9 :

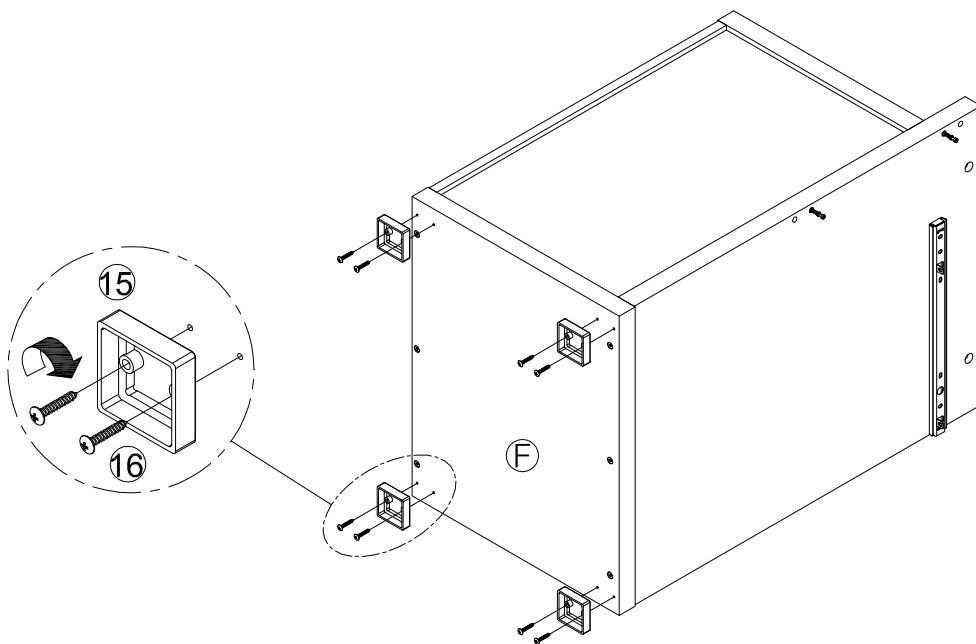
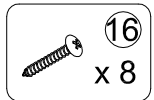
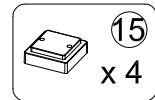
Insert Small back panel (I) between Right divider panel (C) & Right side panel (D) along slots.
Then attach Right bottom panel (F) on Right divider panel (C) & Right side panel (D) with Bolt (5).



The Glue (1) should be used in the indicated locations to help solidify the assembled unit.

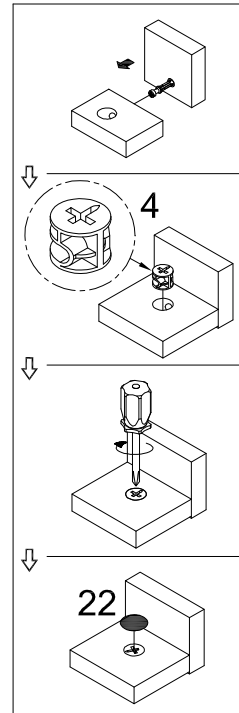
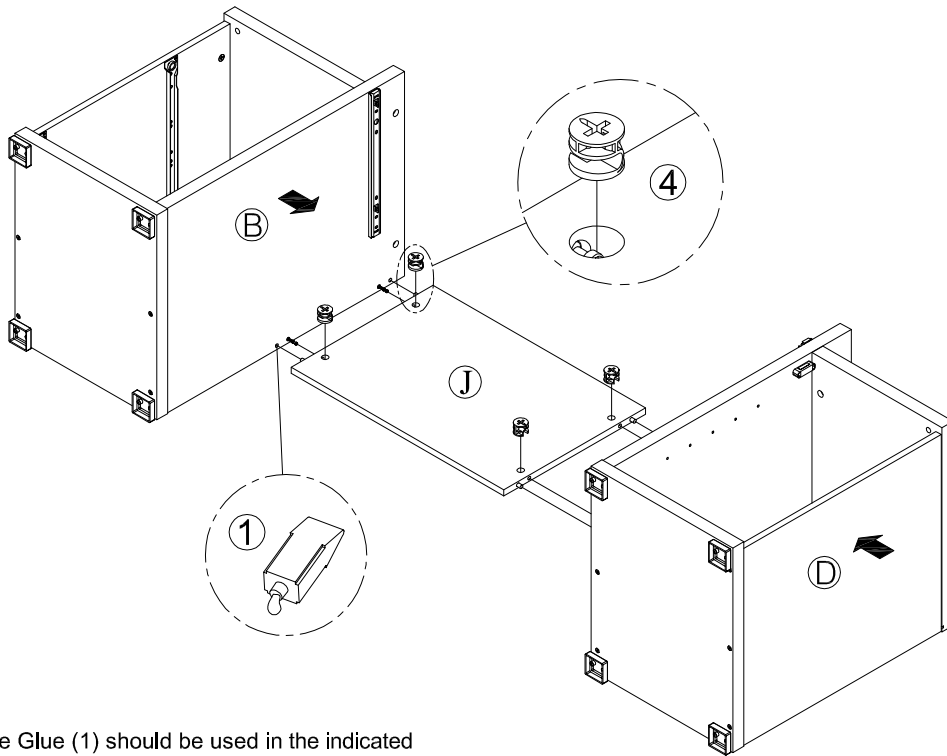
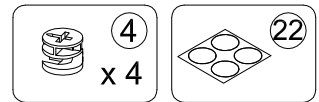
STEP 10 :

Fasten Feet (15) on Right bottom panel (F) with Long screw (16).



STEP 11 :

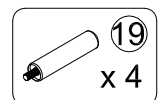
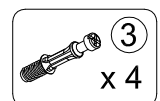
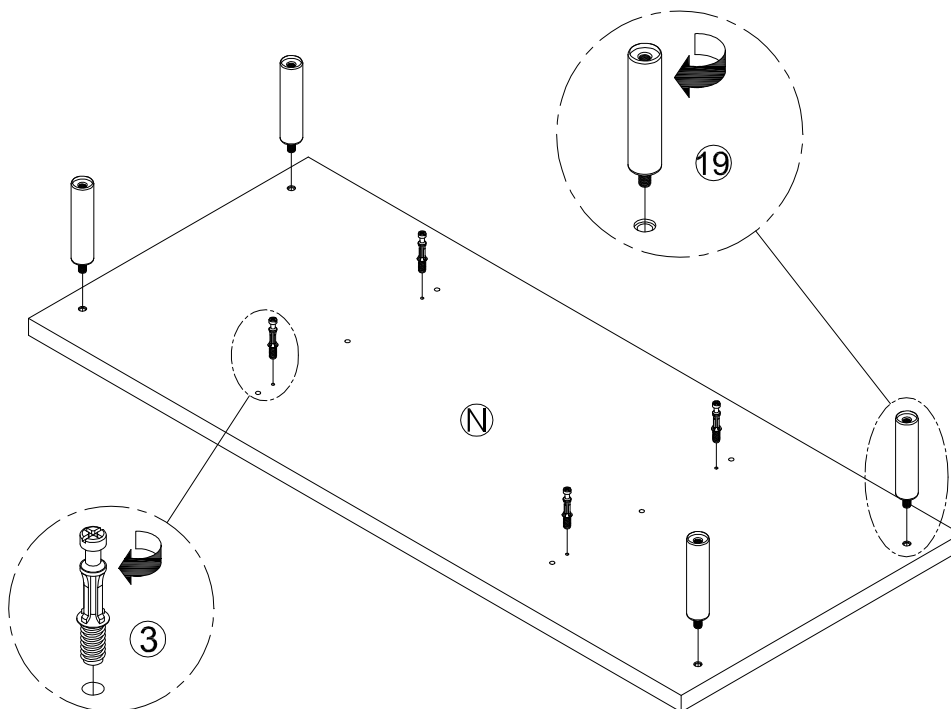
Apply the same technique to fasten Large back panel (J) onto the assembled piece (from Step 5 & Step 10).



The Glue (1) should be used in the indicated locations to help solidify the assembled unit.

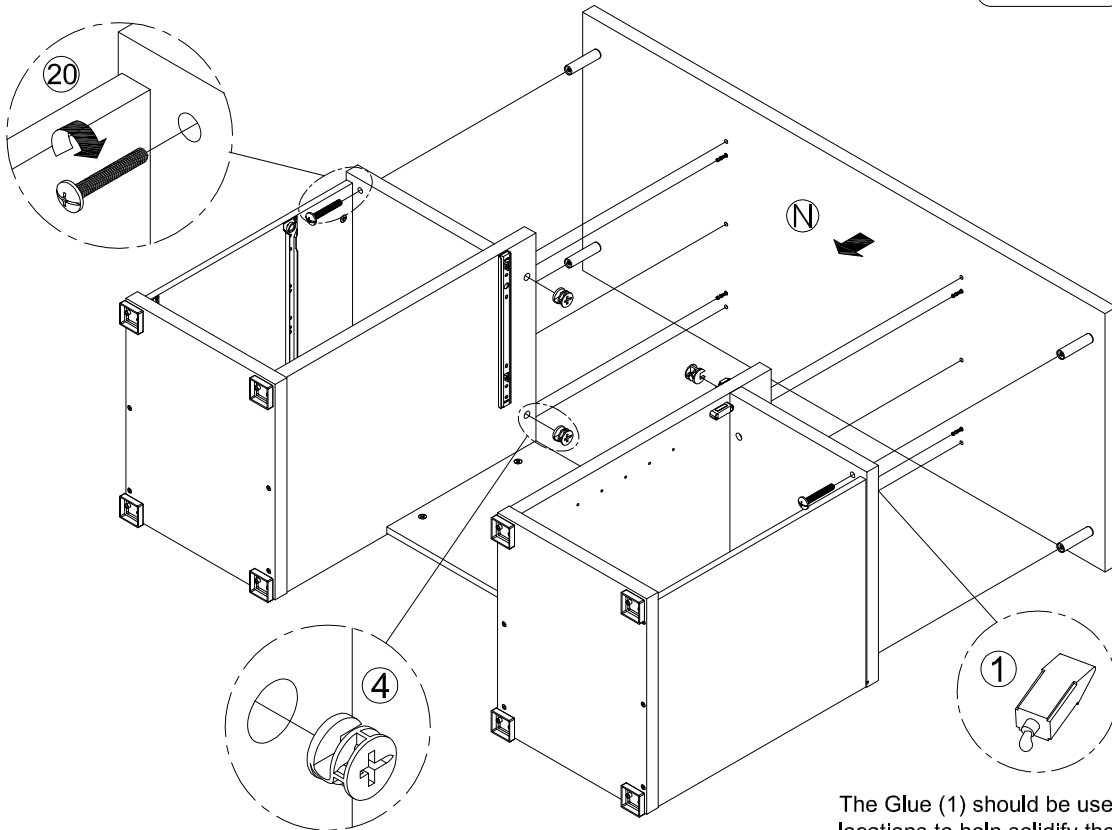
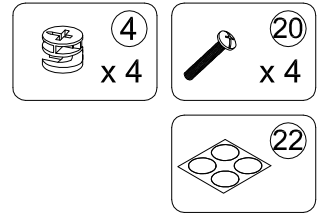
STEP 12 :

Insert and screw Cam bolt (3) and Iron bar (19) into the holes on the Large top panel (N).



STEP 13 :

Connect Large top panel (N) onto assembled piece (from Step 11) with Bolt (20).



The Glue (1) should be used in the indicated locations to help solidify the assembled unit.

STEP 14 :

Insert and screw (3) into the holes on the Small drawer front panel (S).

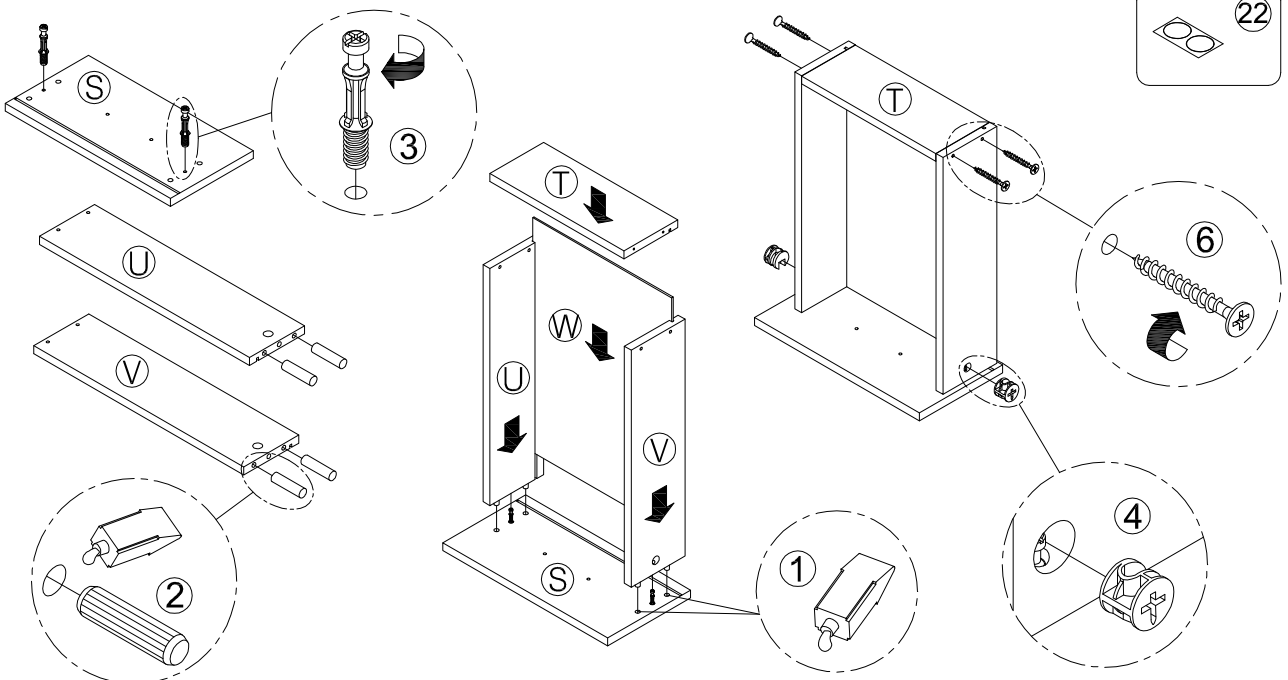
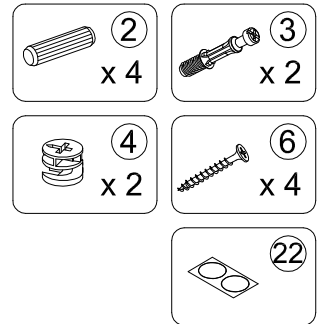
Insert (2) into the holes at side of (U)/(V).

Connect Small Left/Right Drawer Side Panel (U)/(V) with Small drawer front panel (S).

Insert (W) on and between (U)/(V) along slots and then fasten (T)

on and between (U)/(V) with screws (6).

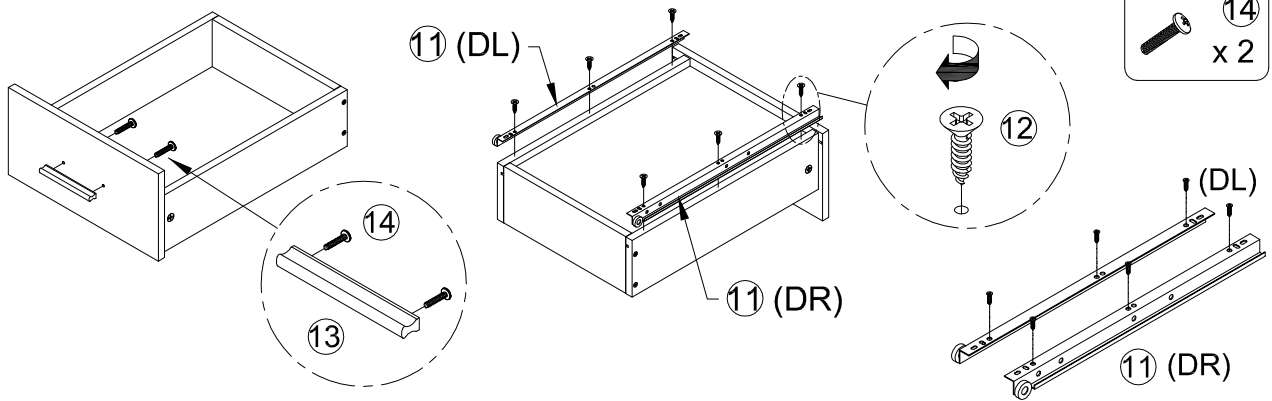
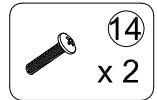
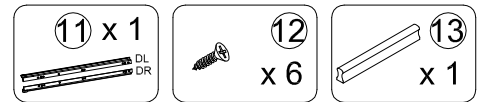
Insert Cam lock(4) into the holes on the (U)/(V) and fasten by turning clockwise.



ASSEMBLY INSTRUCTION

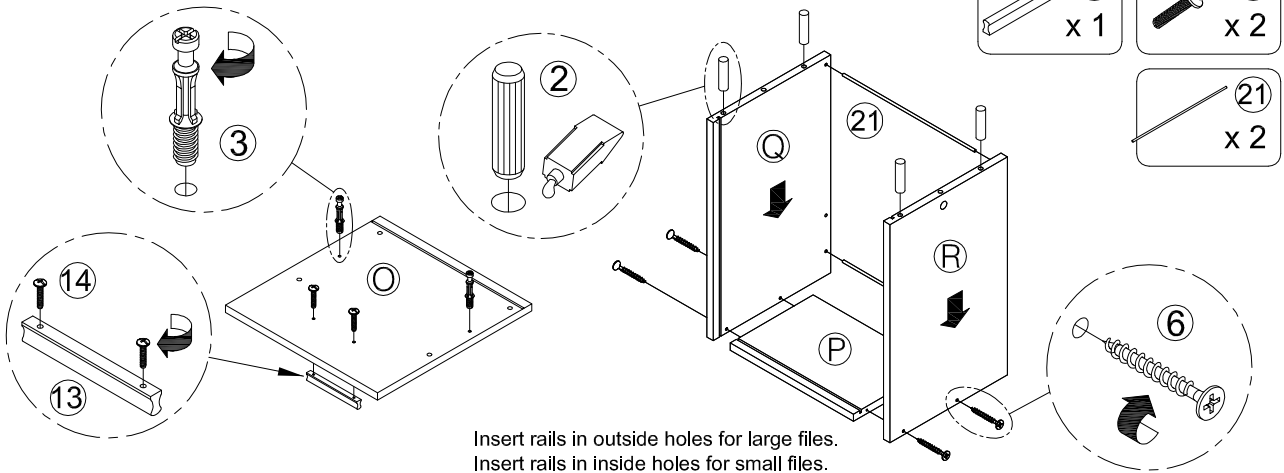
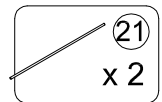
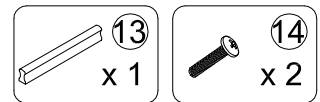
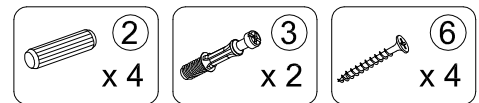
STEP 15 :

Fasten Handle (13) on the Small drawer front panel (S) with Handle bolt (14).
Attach Rail (11-DL) at bottom of (U) · (11-DR) at bottom of (V) with Screws (12).



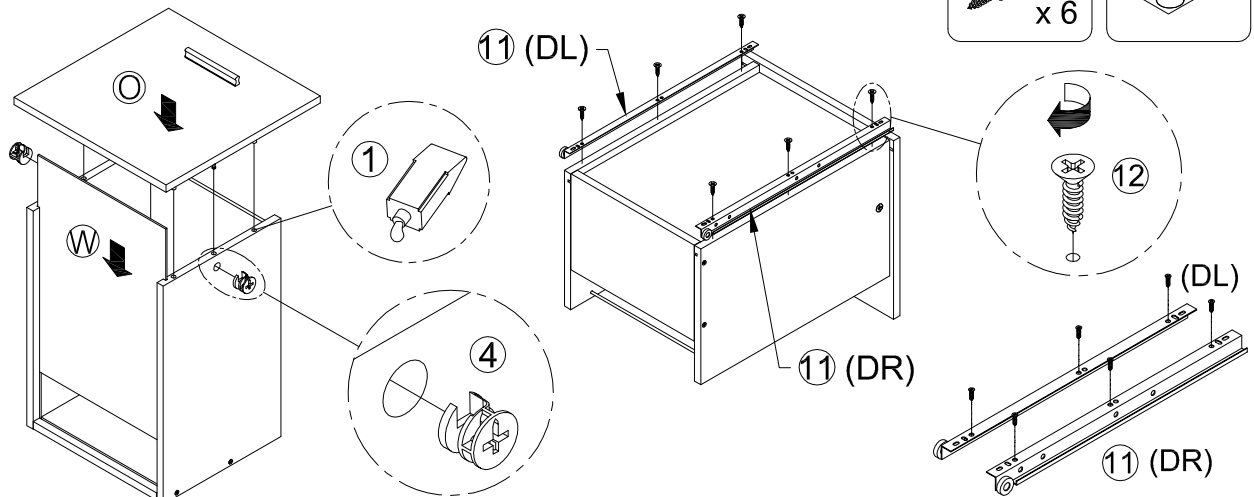
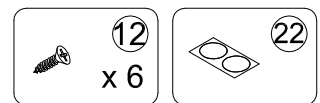
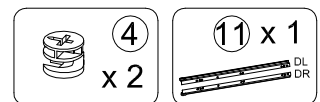
STEP 16 :

Fasten Handle (13) on the Large drawer front panel (O) with Handle bolt (14).
Attach Iron bar (21) on and between (R)/(Q) and fasten Large drawer back panel (P) on and between (R)/(Q) with screw (6).



STEP 17 :

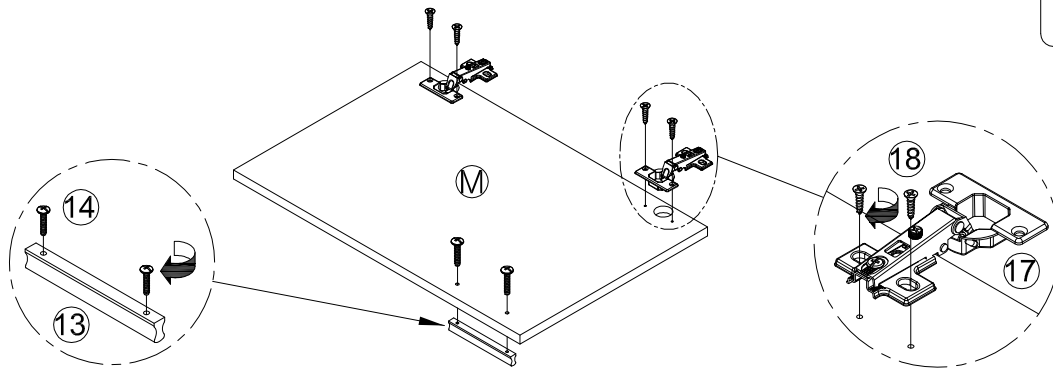
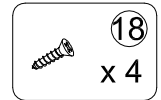
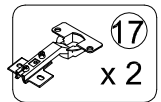
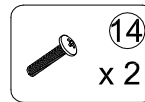
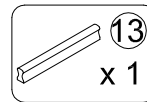
Insert Drawer bottom panel (W) on and between (R)/(Q) along slots.
Connect Large drawer front panel (O) with Large Right/Left drawer side panel (R)/(Q).
Insert Cam lock(4) into the holes on the (R)/(Q) and fasten by turning clockwise.
Attach Rail (11-DL) at bottom of (Q) and (11-DR) at bottom of (R) with Screws (12) .



ASSEMBLY INSTRUCTION

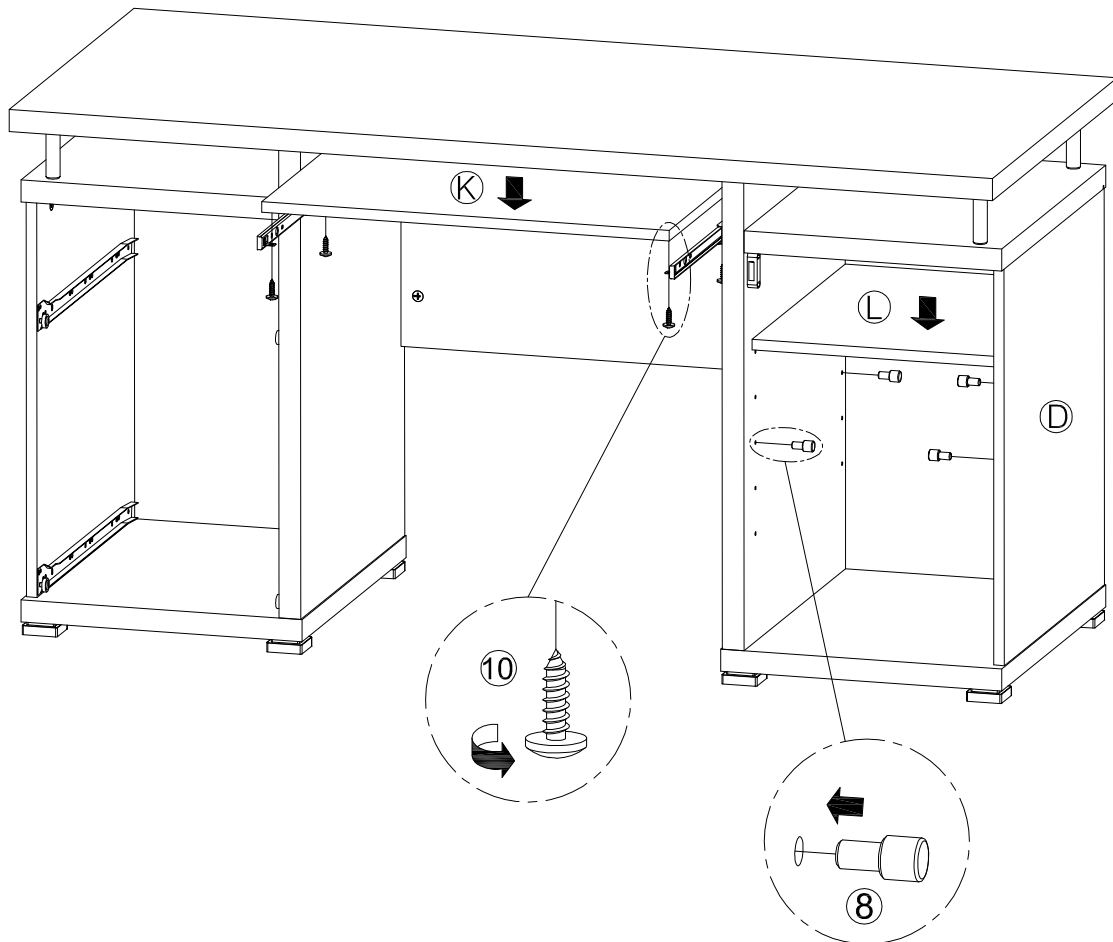
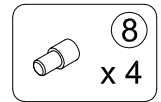
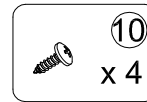
STEP 18 :

Fasten Handle (13) on the Door (M) with Handle bolt (14).
Hinge (17) on the Door (M) with Screws (18).



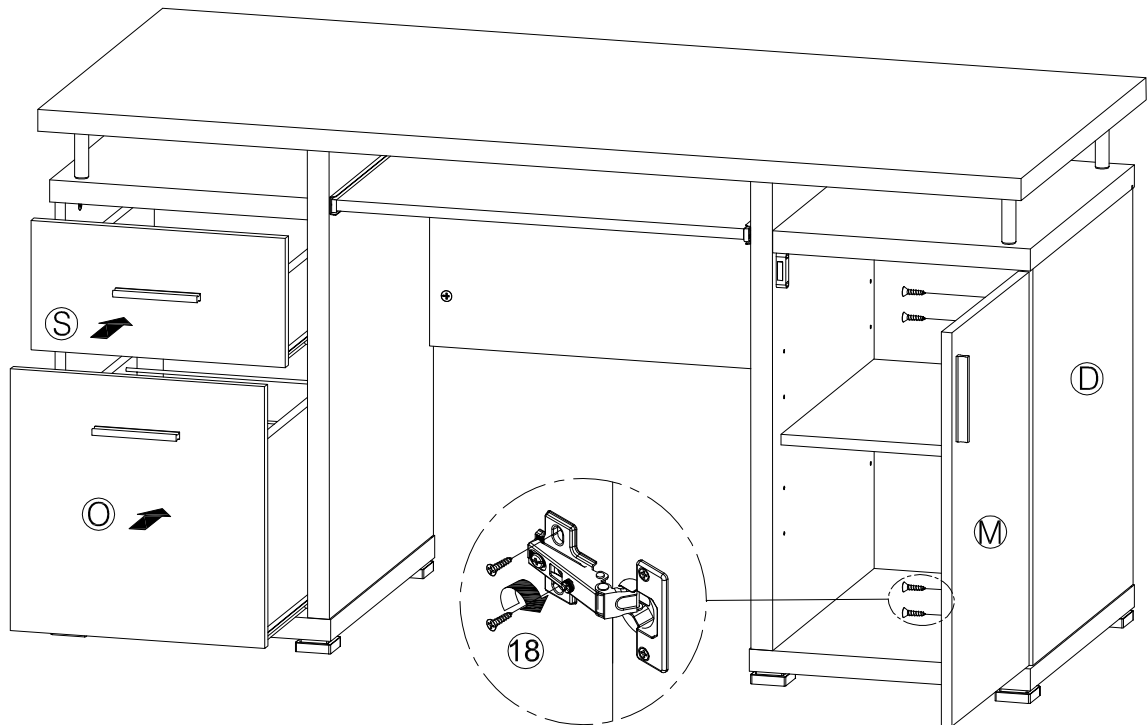
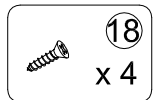
STEP 19 :

Fasten Keyboard shelf (K) on the Rail (9-R) & (9-L) with screw (10).
Insert and screw Pin (8) into the holes on the (C)/(D) at your desired height.



STEP 20 :

Hinge (17) on the Right side panel (D) with Screws (18) , place drawers into the desk.



FINISH

