
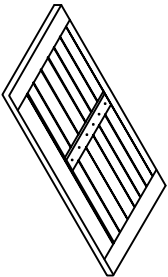
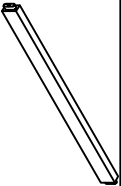
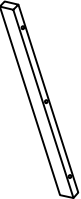
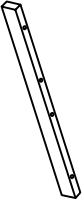
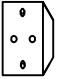





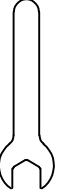
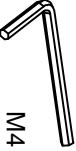


Part List and Hardware List

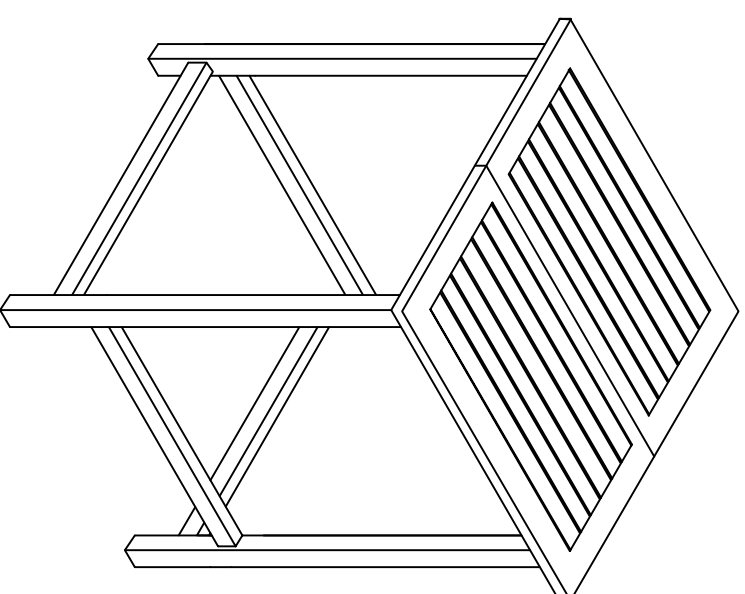
| PIECE | DESCRIPTION | PICTURE | QUANTITY |
|-------|-------------|---|----------|
| 1 | Legs |  | 4X |
| 2 | Table |  | 2X |
| 3 | Tie Rod 1 |  | 4X |
| 4 | Tie Rod 2 |  | 2X |
| 5 | Tie Rod 3 |  | 2X |
| 6 | Corner |  | 4X |
| Ⓐ | Screw 1 |  M5x55 mm | 14X |
| Ⓑ | Screw 2 |  M7x70 mm | 8X |
| Ⓒ | Screw 3 |  M6x30 mm | 8X |
| Ⓓ | Washers |  | 8X |
| Ⓔ | Nut |  | 8X |
| Ⓕ | Key |  | 1X |
| Ⓖ | Allen Key |  M4 | 1X |

JY

JONATHAN Y

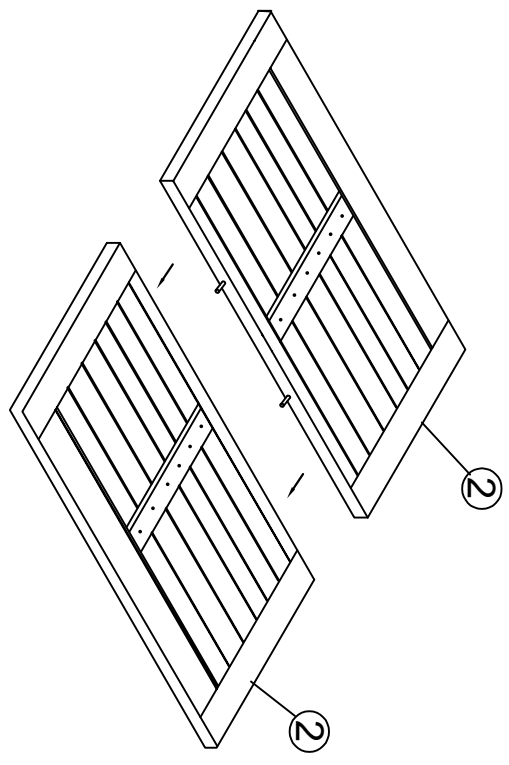
MODEL#DNG2005-3SET(TABLE)

Product Dimension: 29.1"D x 29.1"W x 37.4"H




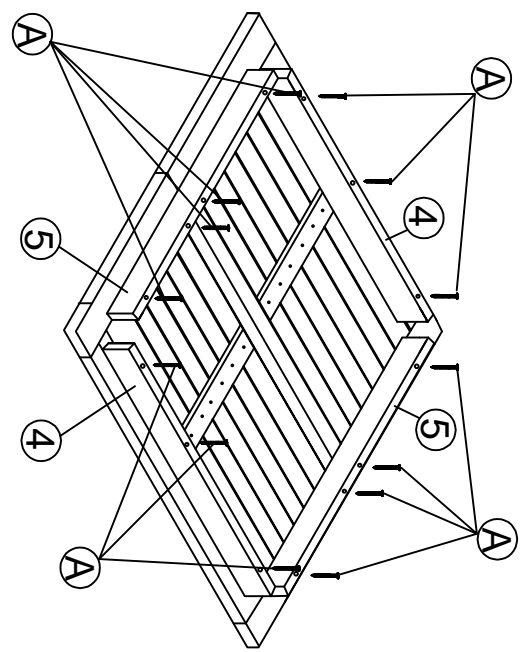
If there are any questions relating to defects, missing parts, assembly issues or replacements, please send a detailed email to cs@jonathany.com.

1



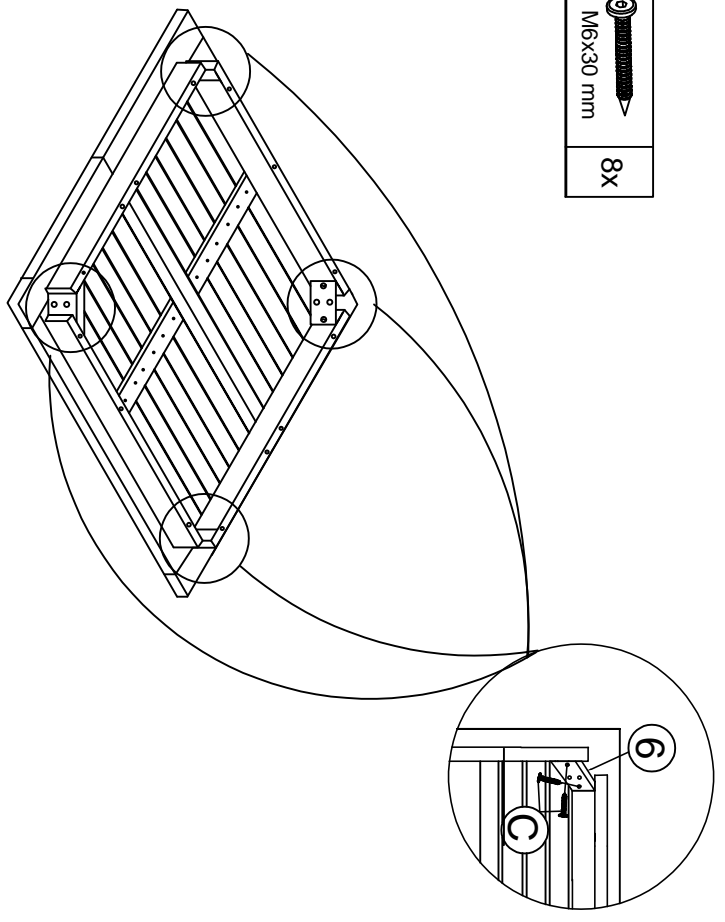
2

| | | |
|------------|---|------------|
| (A) |  | 14X |
| M5x55 mm | | |





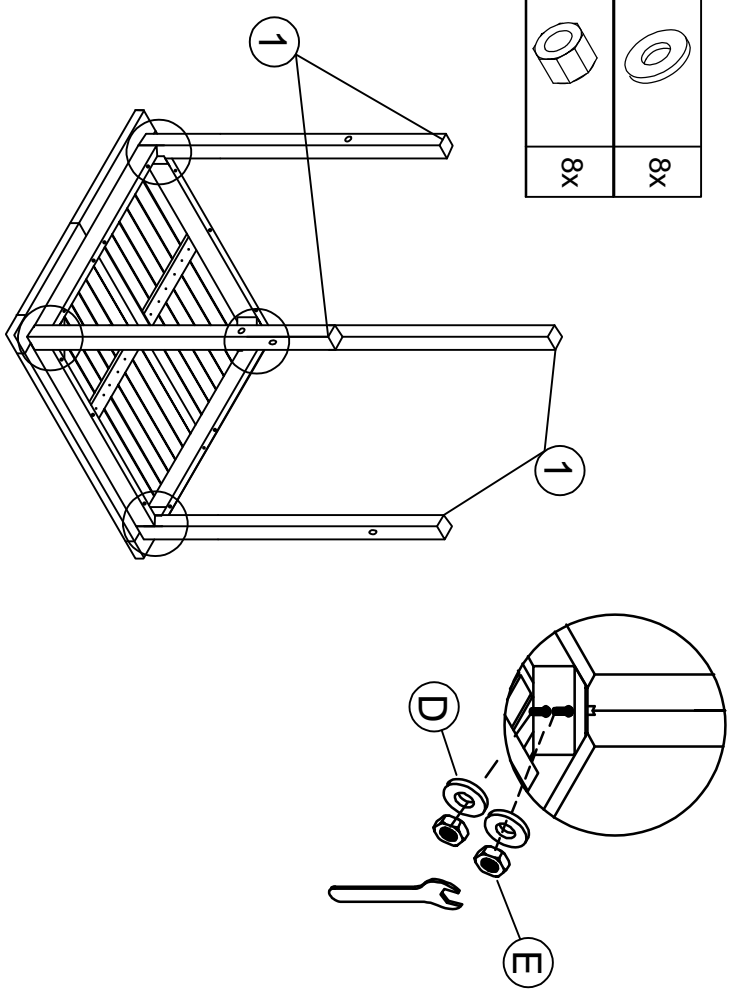
3

| | | |
|------------|--|-----------|
| (C) |  | 8X |
| M6x30 mm | | |

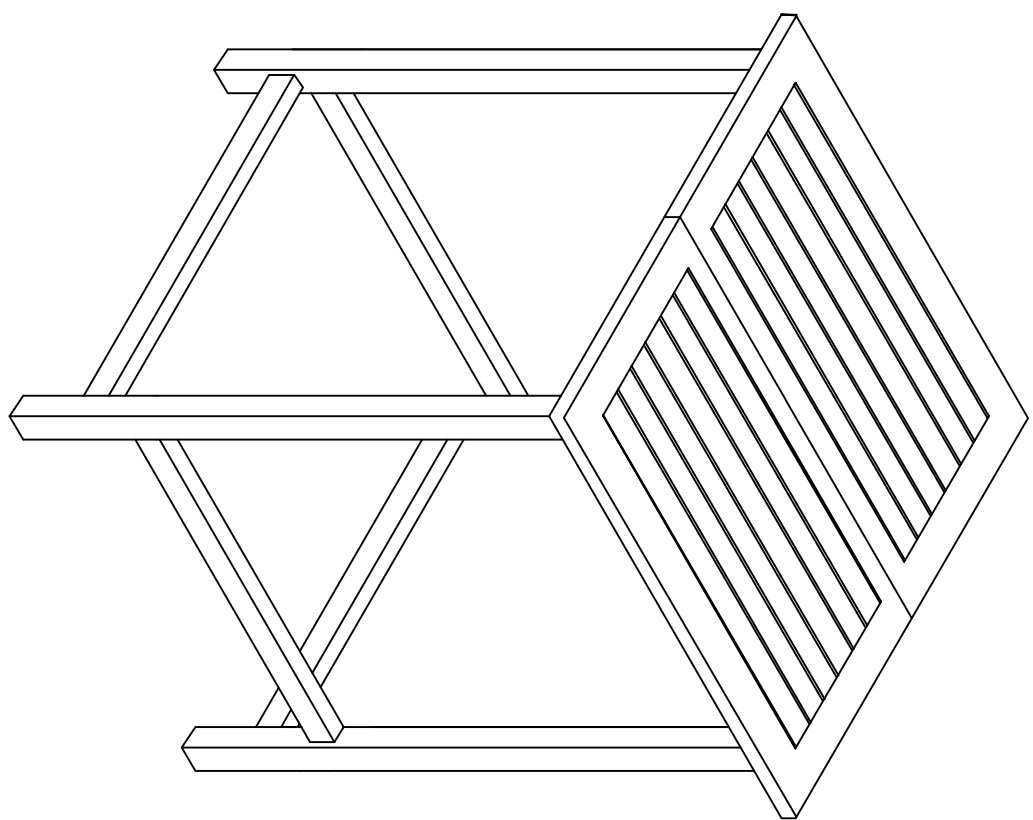
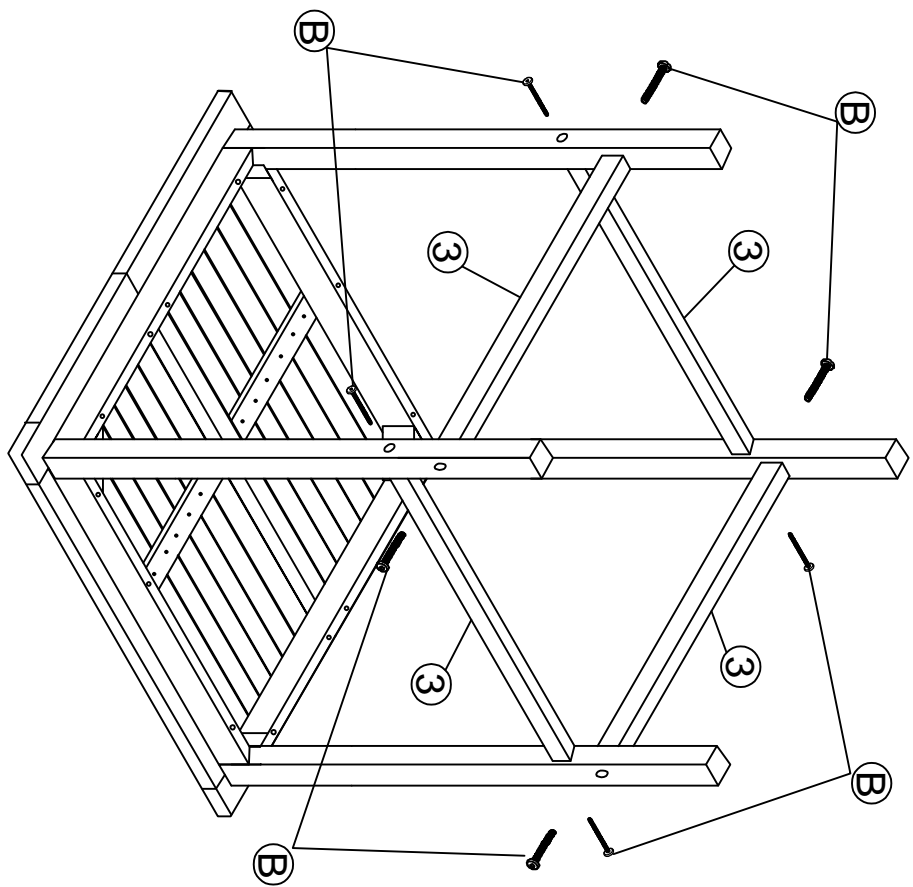


4




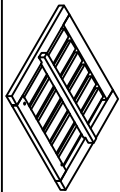
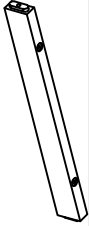
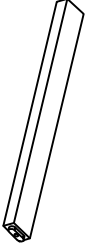
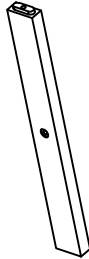
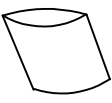
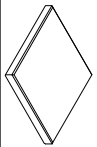
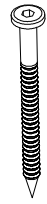
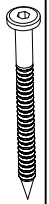
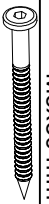
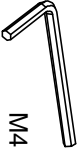
| | | |
|------------|---|-----------|
| (D) |  | 8X |
| (E) |  | 8X |



| |
|---|
|  B |
|  M7x70 mm |
| 8x |



Part List and Hardware List

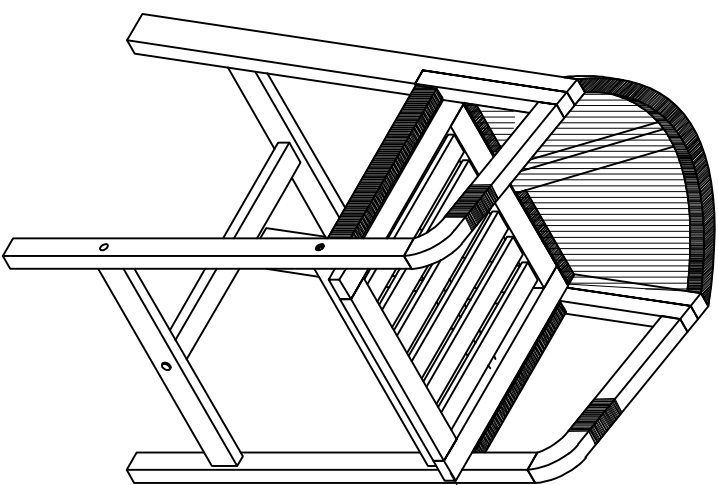
| PIECE | DESCRIPTION | PICTURE | QUANTITY |
|-------|--------------|---|----------|
| 1 | Right Leg |  | 1x |
| 2 | Left Leg |  | 1x |
| 3 | Back Frame |  | 1x |
| 4 | Seat Frame |  | 1x |
| 5 | Trim |  | 1x |
| 6 | Tie Rod 1 |  | 1x |
| 7 | Tie Rod 2 |  | 1x |
| 8 | Back Cushion |  | 1x |
| 9 | Seat Cushion |  | 1x |
| Ⓐ | Screw 1 |  M7x60 mm | 6x |
| Ⓑ | Screw 2 |  M6x50 mm | 6x |
| Ⓒ | Screw 3 |  M6x60 mm | 2x |
| Ⓓ | Allen Key |  M4 | 1x |

JY


JONATHAN Y

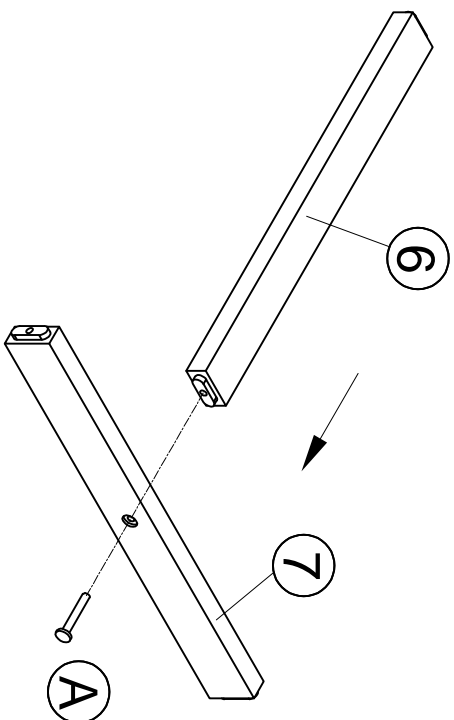
MODEL#DNG2005-3SET(CHAIR)


Product Dimension: 20.5"D x 23"W x 38"H

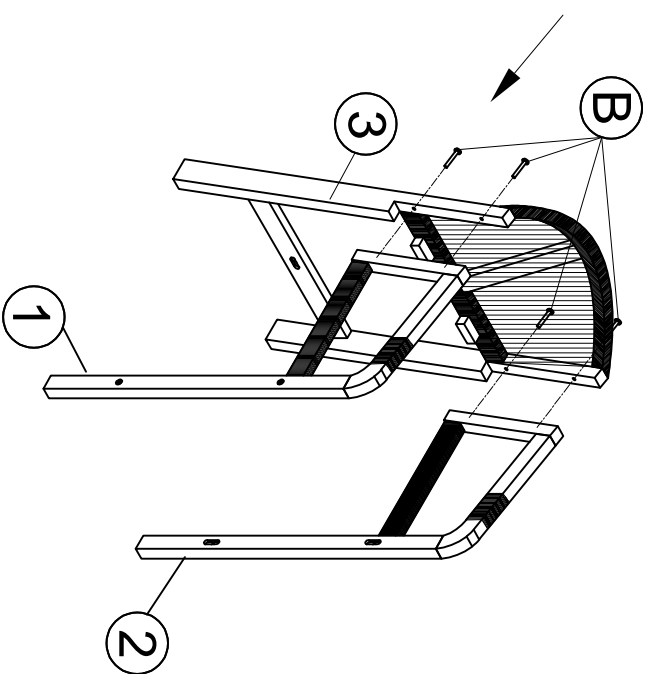



If there are any questions relating to defects, missing parts, assembly issues or replacements, please send a detailed email to cs@jonathany.com.

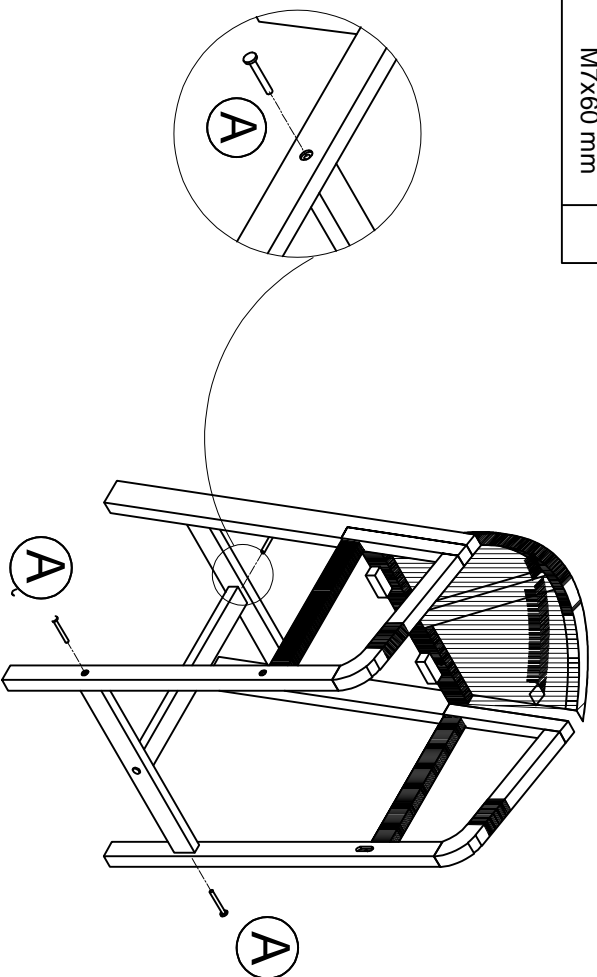
| | | | |
|---|---|----------|----|
| 1 |  | M7x60 mm | 1x |
|---|---|----------|----|




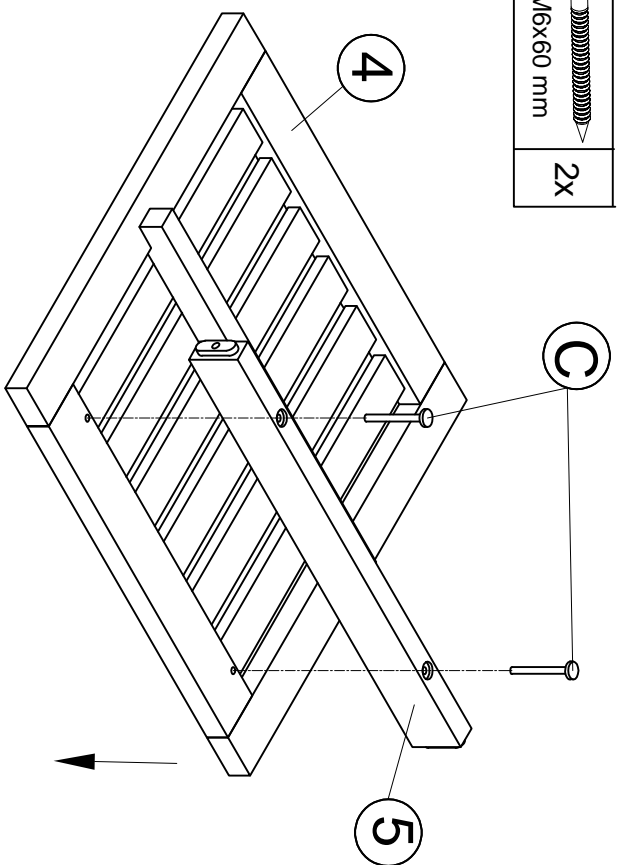
| | | | |
|---|---|----------|----|
| 2 |  | M6x50 mm | 4x |
|---|---|----------|----|

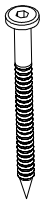



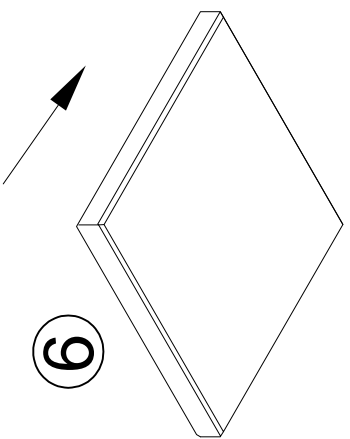
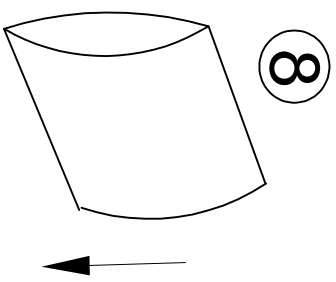
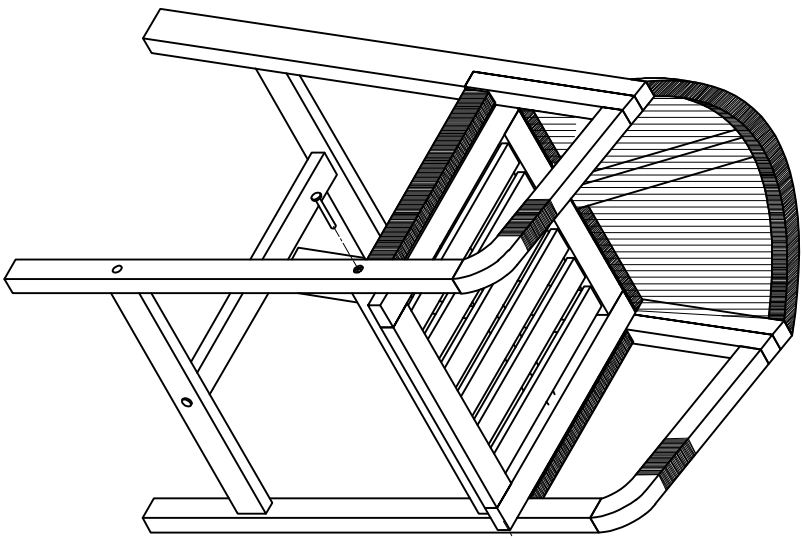
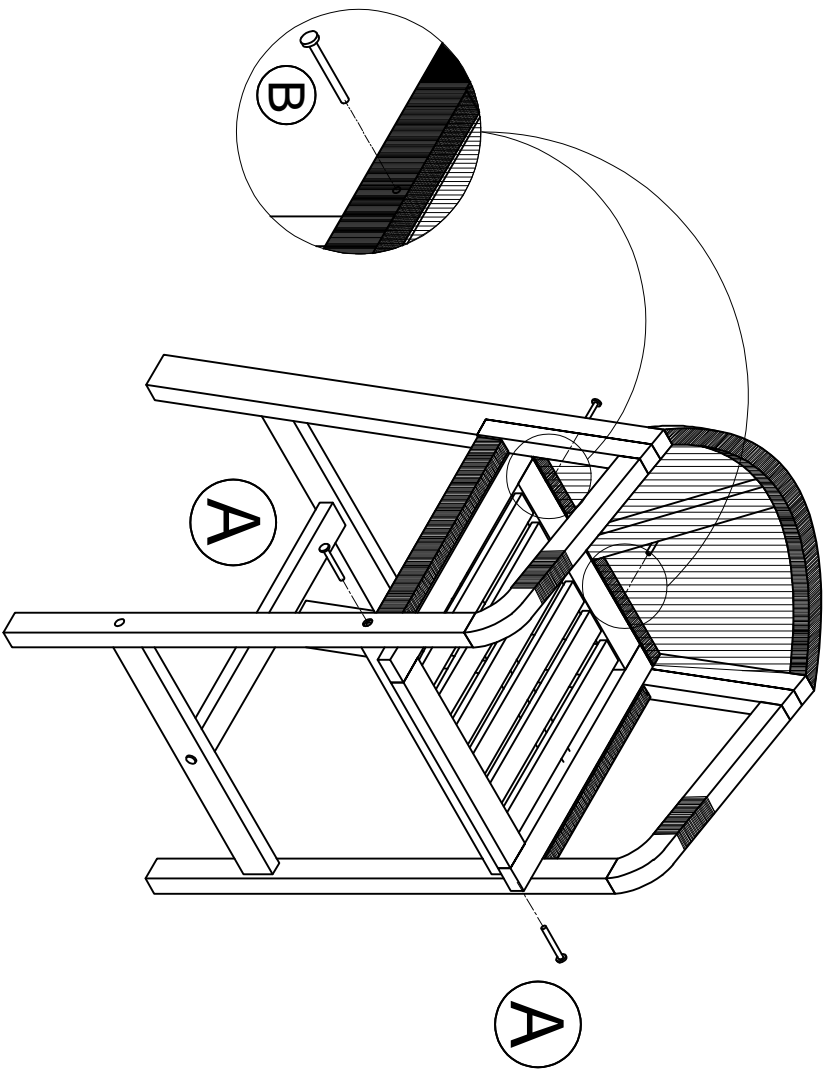
| | | | |
|---|---|----------|----|
| 3 |  | M7x60 mm | 3x |
|---|---|----------|----|



| | | | |
|---|---|----------|----|
| 4 |  | M6x60 mm | 2x |
|---|---|----------|----|



| | |
|---|---|
| <p>(A)</p>  <p>M7x60 mm</p> <p>2x</p> | <p>(B)</p>  <p>M6x50 mm</p> <p>2x</p> |
|---|---|



(9)