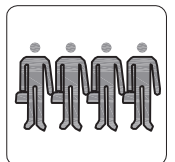
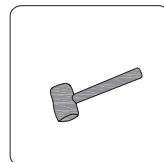
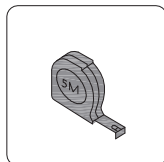
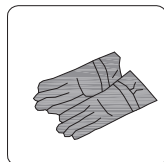
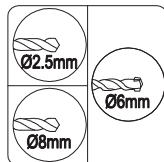
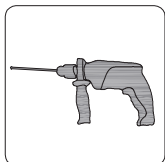
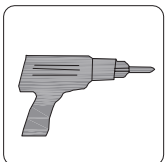
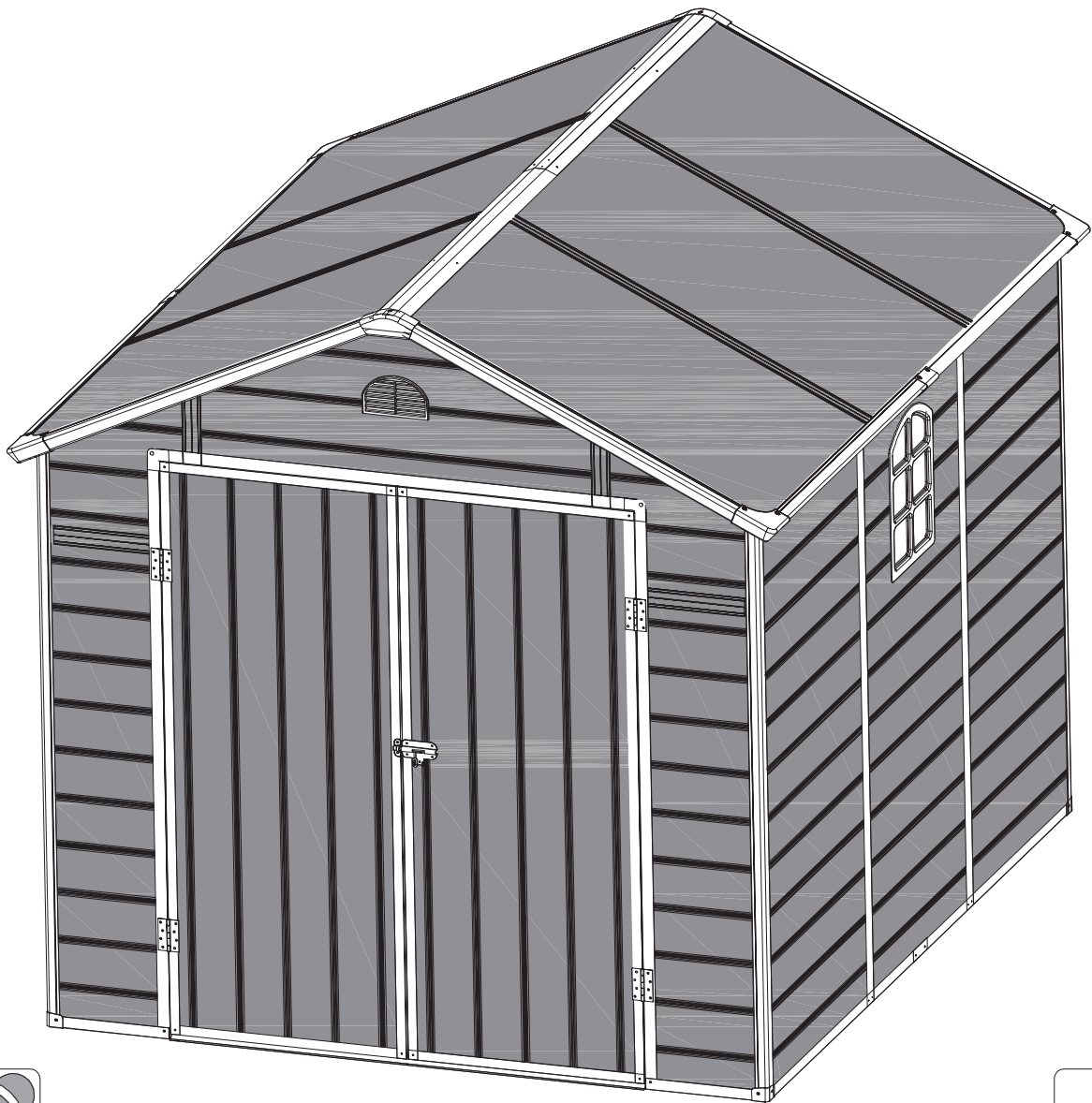




Oakville

OF-950S03 8x9



Assembly Preparation

Owner's Manual

Please check local building codes regarding footings, location and other requirements before beginning construction.

Assembly instructions:

Reviewing all instructions and the appropriate information before you begin, make sure following the step sequence carefully for successful results.

Flooring base:

A good location for the storage building is a square and level area with good drainage. The base is not included in the kit which may need purchase separately or may construct a foundation and anchoring system of your own. The foundation base should be 10 cm larger than the base rail of the shed (minimum 10cm thickness concrete slab is recommended).

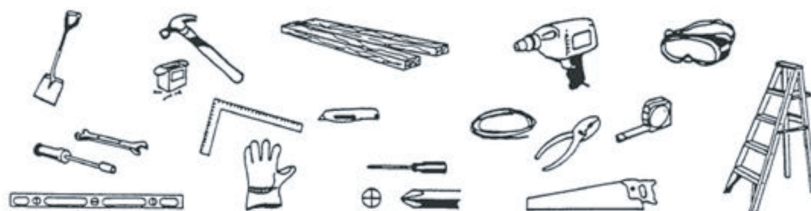
A strong plastic sheet (thickness: at least 150µm) should be placed under the foundation to assist in reducing rising dampness from the soil, thus reducing condensation build up in the shed. Your storage building must be anchored to prevent wind damage.

Parts and Parts List:

Before you start, check to be sure that you have all the necessary parts for your building (refer to the Parts List Page). Do not attempt to assemble the building if parts are missing because any building left partially assembled may be seriously damaged by light winds.

Please tear off the safety protection layer before assembly, keep the part number label if needed.

Tools you need:



Safety must be put in the No. 1 position:

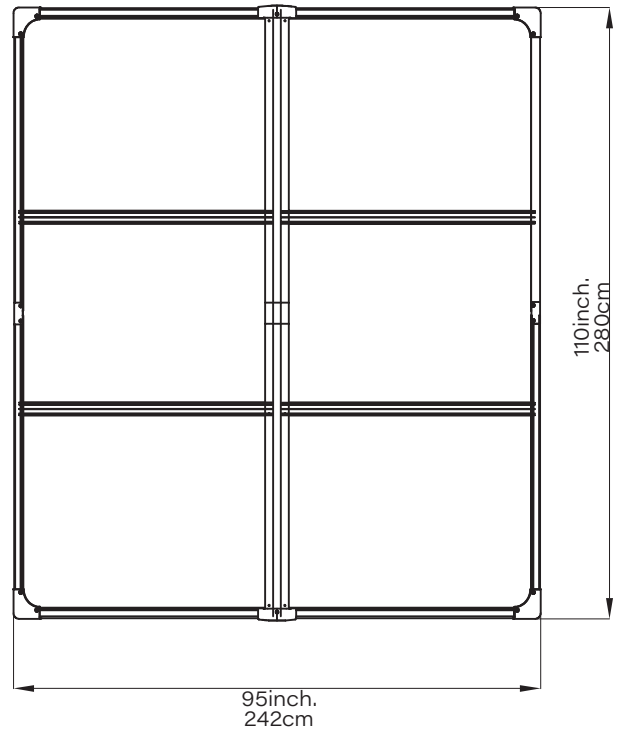
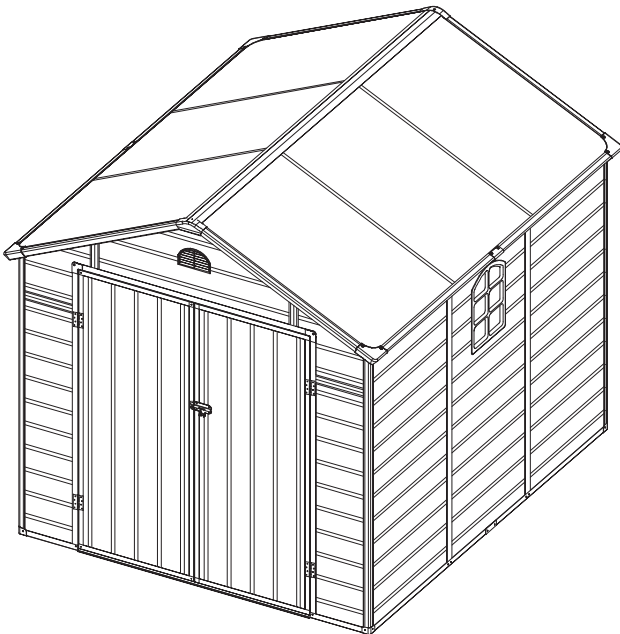
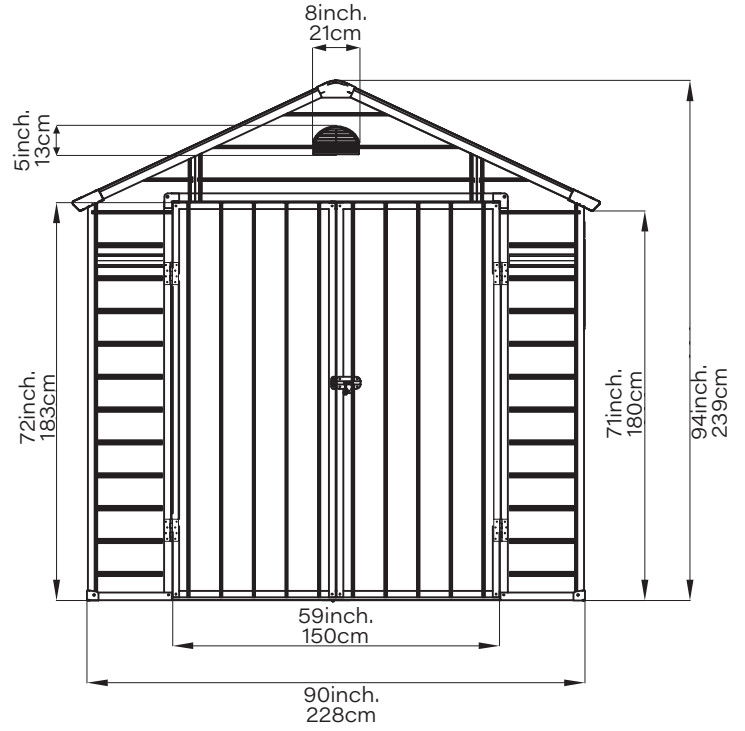
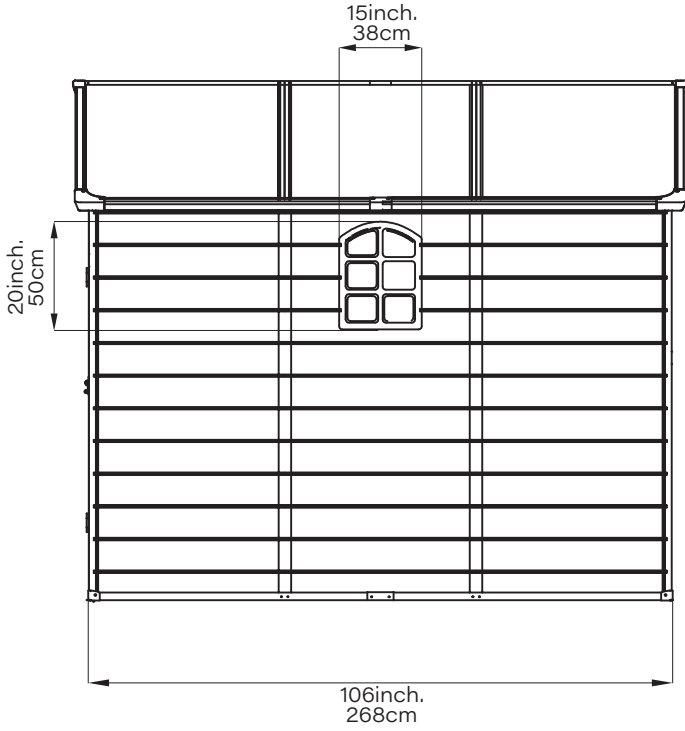
1. Select a dry and calm day for your assembly. Team works (Two or more people) are required during the assembly. It is also recommended to finish the assembly in a day to avoid damage to the product or missing of some small parts. Keep all small parts (screws etc.) in a bowl so they do not get lost.
2. Wearing safety gloves, eye protection and long sleeves during the assembly to prevent injury. Pay attention to the sharp edge of some parts.
3. Children and pets are not allowed entering into the construction site.
4. Never concentrate your total weight on the roof of the building. When using a step ladder make sure that it is safe.





























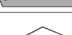


Care & Maintenance:





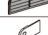

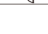





































1. Keep the shed clean with soft cloth, use water if necessary.
2. Clean the snow timely with necessary tools to make sure it is safe to enter into.
3. The shed is not made for living but storing stuff.

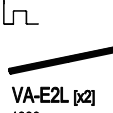
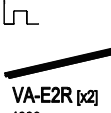
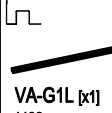
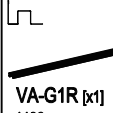
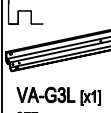
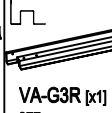
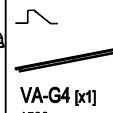
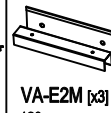
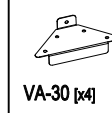



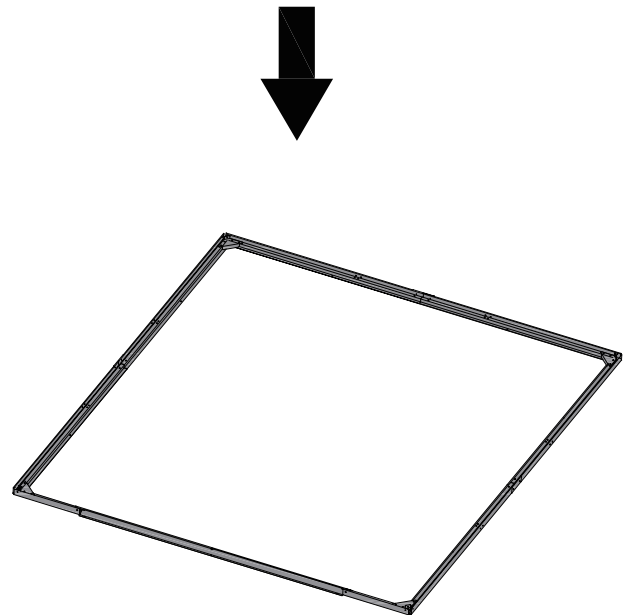
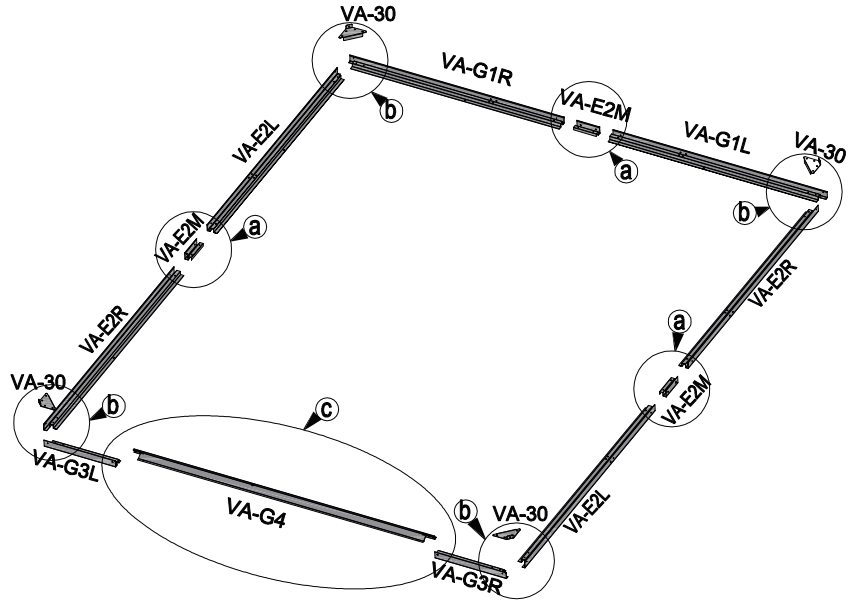
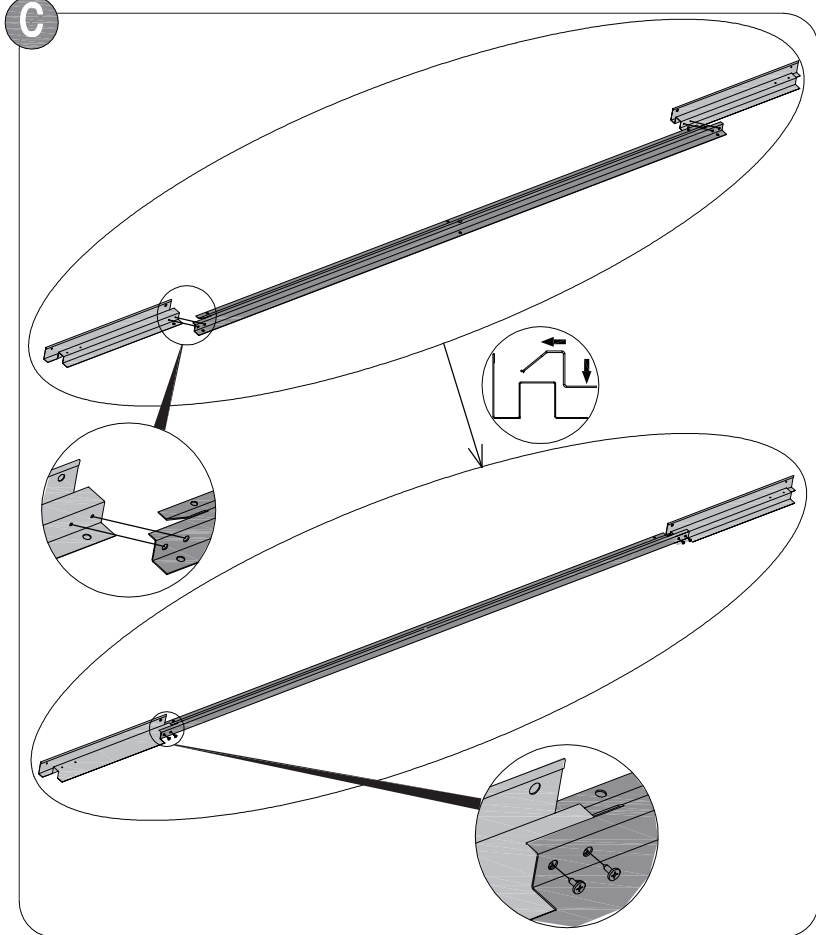
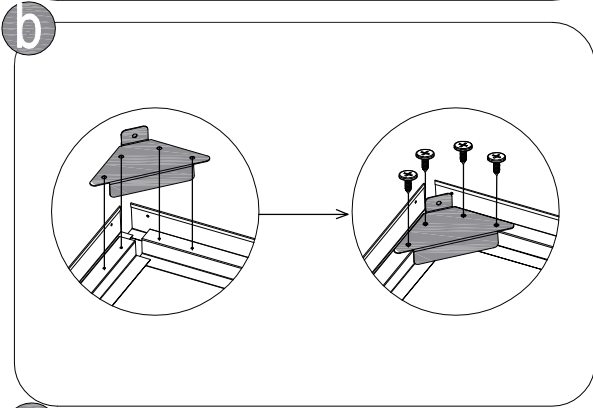
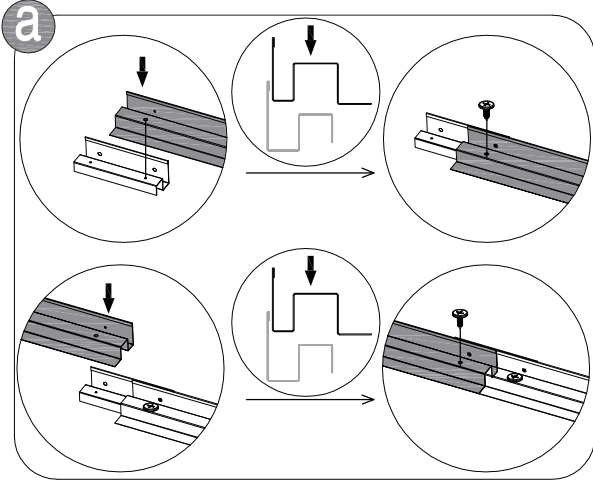
akville
SIZE
 OF - 950S03



				
VA-G1L		1132mm	x1	
VA-G1R		1132mm	x1	
VA-E2R		1330mm	x2	
VA-E2L		1330mm	x2	
VA-G3R		377mm	x1	
VA-G3L		377mm	x1	
VA-E2M		120mm	x3	
VA-G4		1588mm	x1	
VA-30			x8	
VA-31			x4	
VA-37b			x6	
				
PB1		876X1840mm	x5	
PB1S		876X1840mm	x1	
PC2S		1270X542mm	x1	
PC2L		461X492mm	x1	
PC2R		461X492mm	x1	
PC3L		743X1072mm	x1	
PC3R		743X1072mm	x1	
PC3S		743X1248mm	x1	
PC4		743X1100mm	x3	
PC5		365X1548mm	x2	
VA-C7R		1860mm	x2	
VA-C7L		1860mm	x2	
VA-C5		1840mm	x6	
VA-C5c		365mm	x2	
VA-C6b		200mm	x2	
PPX12			x1	
W2S			x1	
PPX13			x1	
VA-G8		738mm	x3	
VA-G9		360mm	x2	
VA-G9b		254mm	x2	
VA-G11		740mm	x3	
VA-G12		362mm	x2	
VA-G12b		225mm	x2	
VA-G14b		1200mm	x1	
VA-G14c		1052mm	x1	
VA-G14AL		345mm	x1	
VA-G14AR	345mm	x1		
VA-H15		970mm	x2	
VA-F16		1678mm	x2	
VA-E17		977mm	x2	
VA-E18		1745mm	x2	
VA-G19		1181mm	x4	
VA-D20		725mm	x2	
VA-33				x4
VA-34				x2
VA-E23		1348mm	x2	
VA-36			x2	

VA-32R			x2
VA-32L			x2
VA-35			x2
VA-43			x2
PPX14			x2
PPX8			x2
PPX9			x2
			
PC6-C		1285X920mm	x4
PC6-M		1285X856mm	x2
VA-G10		1285mm	x4
VA-G13		1285mm	x4
VA-G21		1165mm	x4
VA-E22		1282mm	x4
VA-E24		1440mm	x2
VA-E41		983mm	x2
VA-F42		1862mm	x2
PPX3			x4
PPX4			x2
PPX11			x2
			
VA-C25R		1830mm	x1
VA-C25L		1830mm	x1
VA-G26		1508mm	x1
VA-C27		1812mm	x3
VA-G28	747mm	x4	
VA-C29		1812mm	x1
PC7S		1810X746mm	x2
			
VA-41			x4
VA-38a			x2
VA-38b			x2
VA-39			x2
VA-40			x1
CN-A33			x2
PA01			x3
VA-H44		ST4.2x13mm	x370
VA-H45		ST4.2x19mm	x119
VA-H46		ST4.2x13mm	x51
VA-H47		ST4.2x19mm	x4
VA-H48		ST6.0x40mm	x9
VA-H49		ST4.2x13mm	x18
VA-H50		M6x40mm	x20
VA-51			x1
VA-H52			x2
VA-53			x2
VA-55			x2
VA-DB05		735x1720mm	x3
VA-DB06		880x1102mm	x2

1	 VA-E2L [x2] 1330mm	 VA-E2R [x2] 1330mm	 VA-G1L [x1] 1132mm	 VA-G1R [x1] 1132mm	 VA-G3L [x1] 377mm	 VA-G3R [x1] 377mm	 VA-G4 [x1] 1588mm	 VA-E2M [x3] 120mm	 VA-30 [x4]	 VA-H44 [x26] 13mm
----------	---	---	---	---	--	--	---	--	--	--



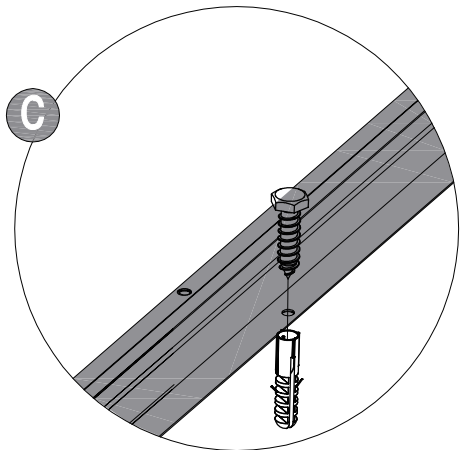
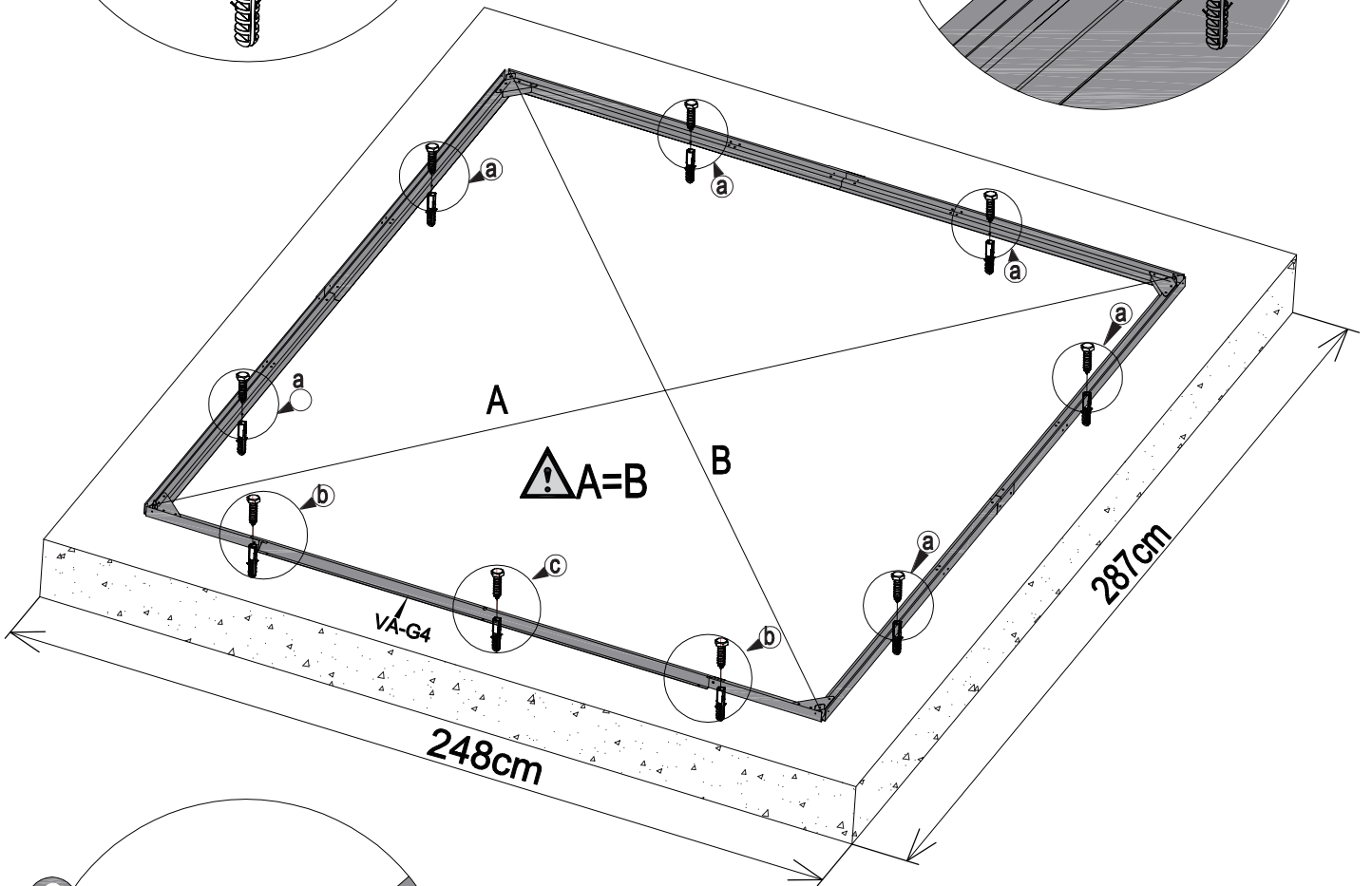
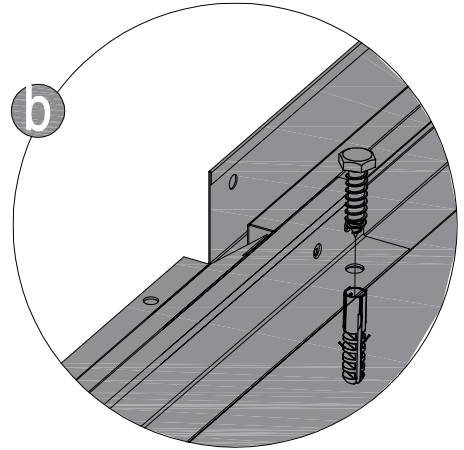
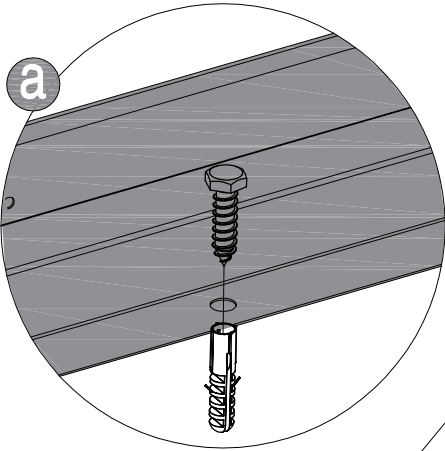
2

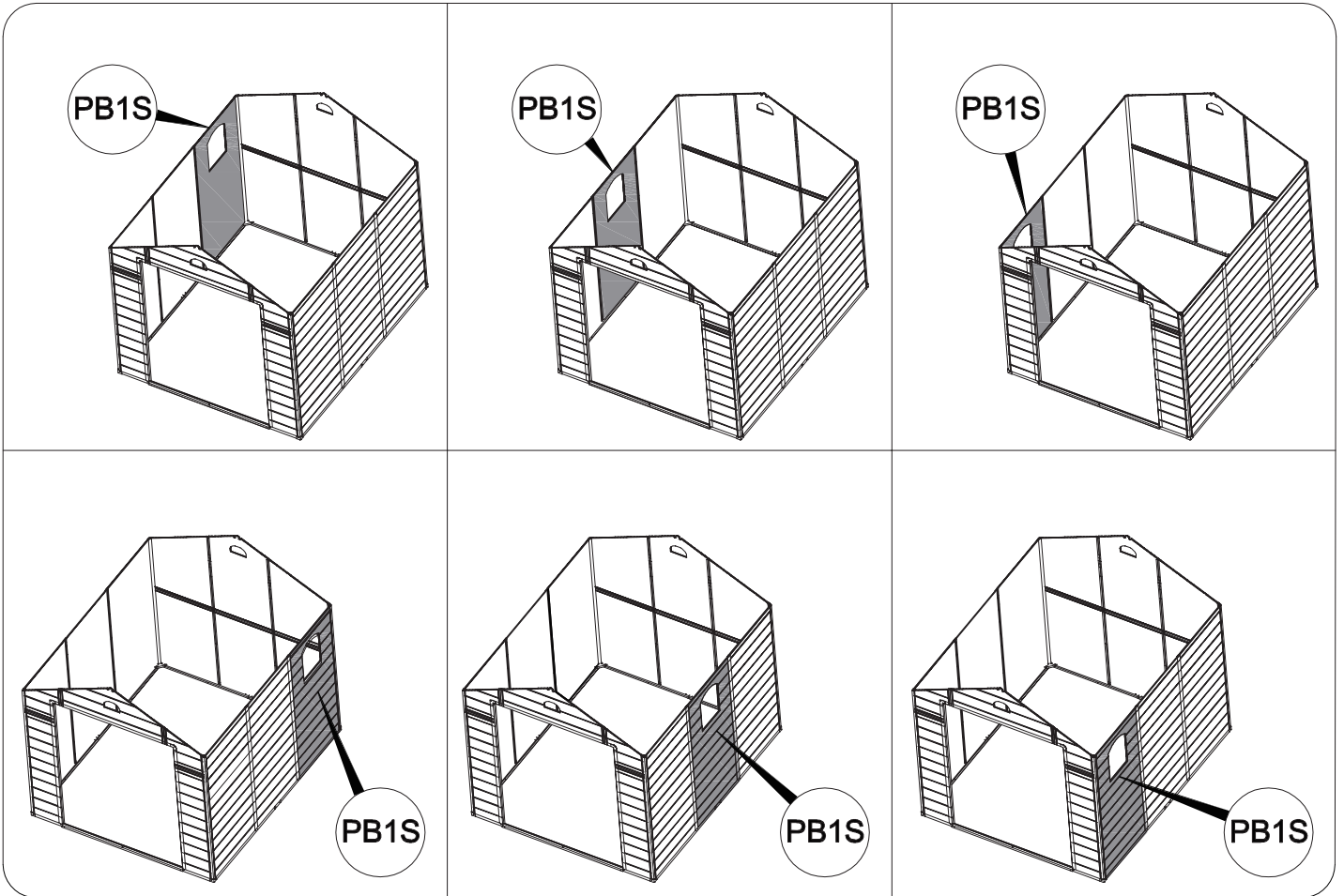






VA-H48 [x9]
40mm

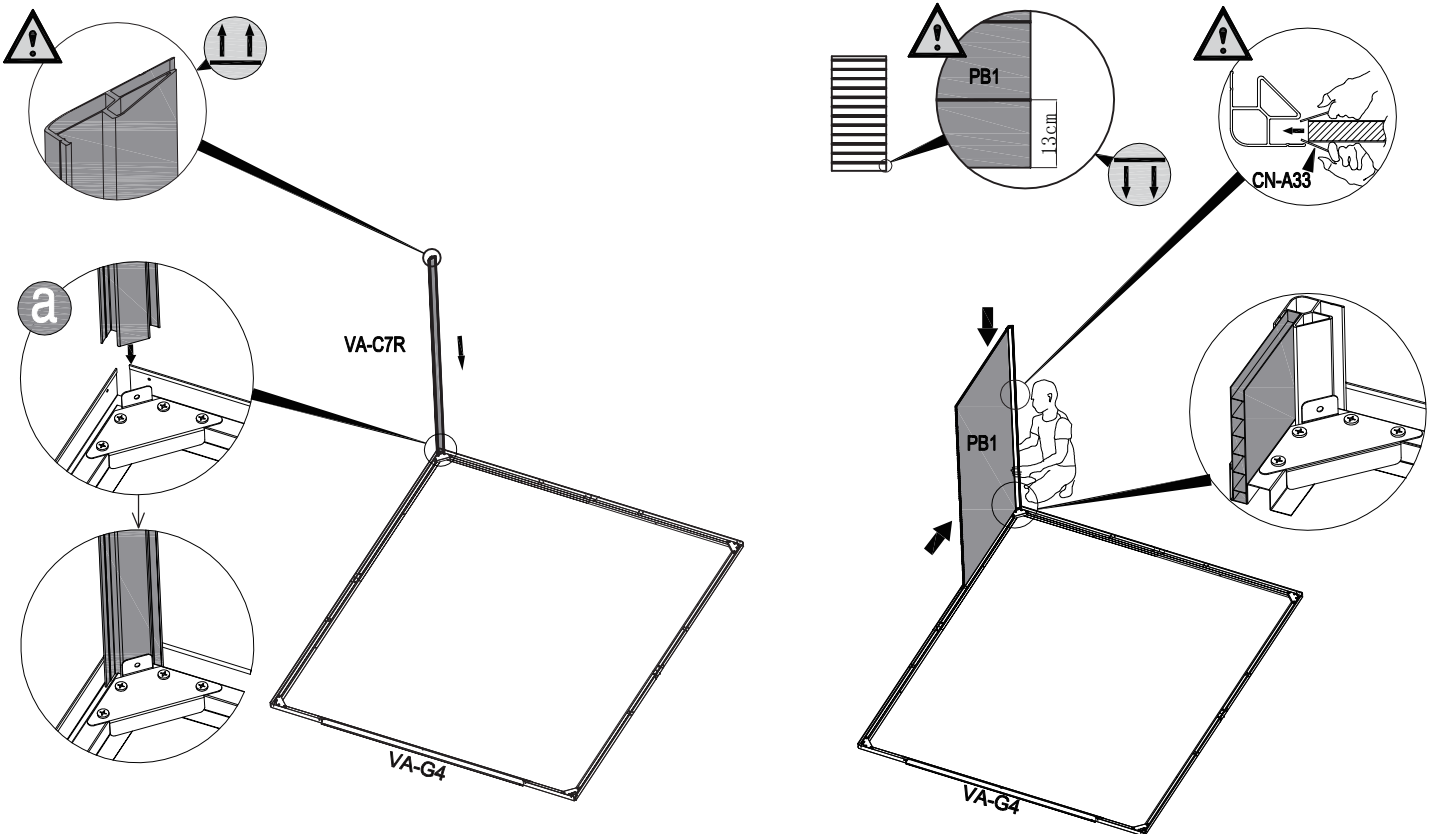






Ø6mm

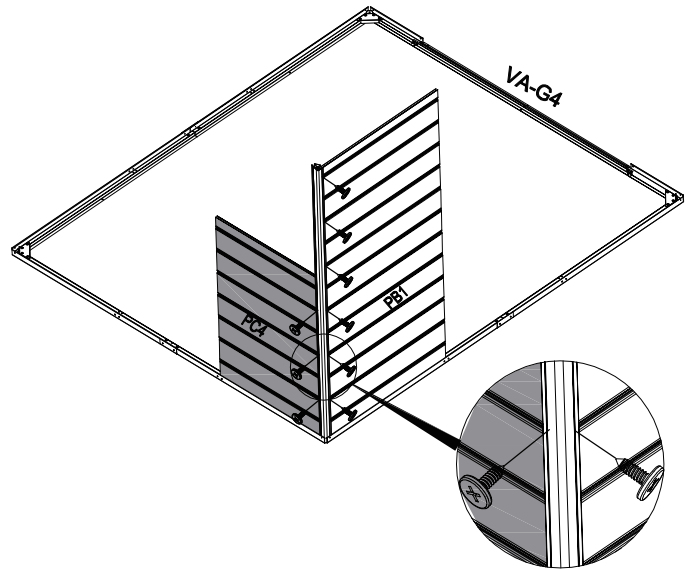
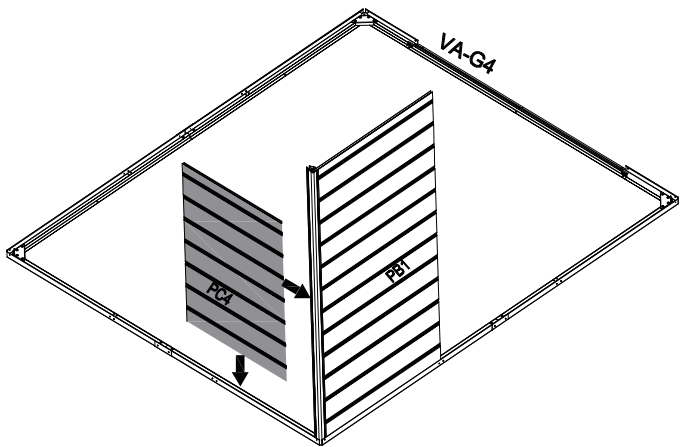
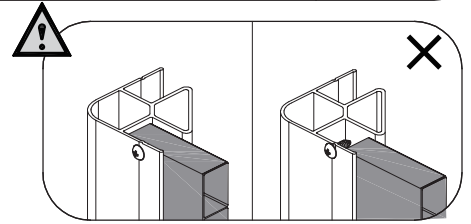
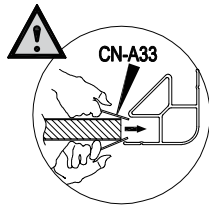
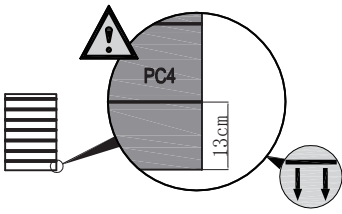










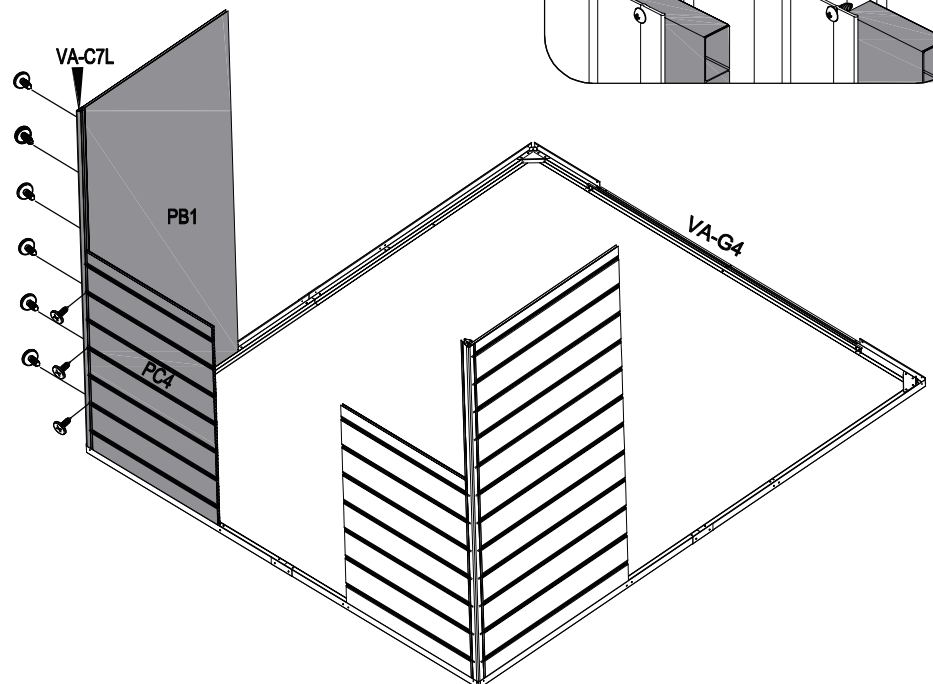
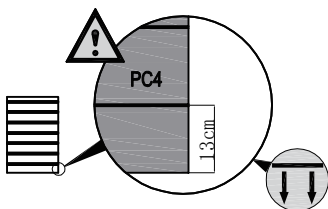
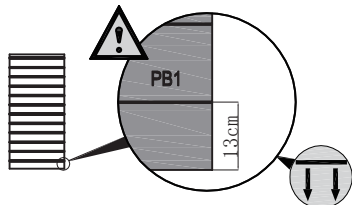
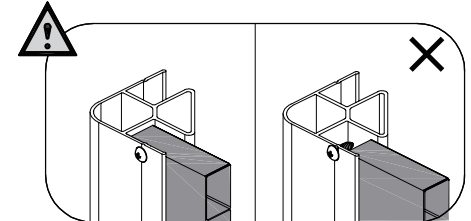
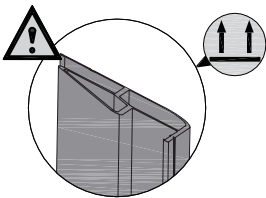
<p>3</p>	 <p>VA-C7R [x1] 1860mm</p>	<p>PB1 [x1] 876x1840mm</p> 	 <p>CN-A33</p>	
-----------------	---	--	---	---






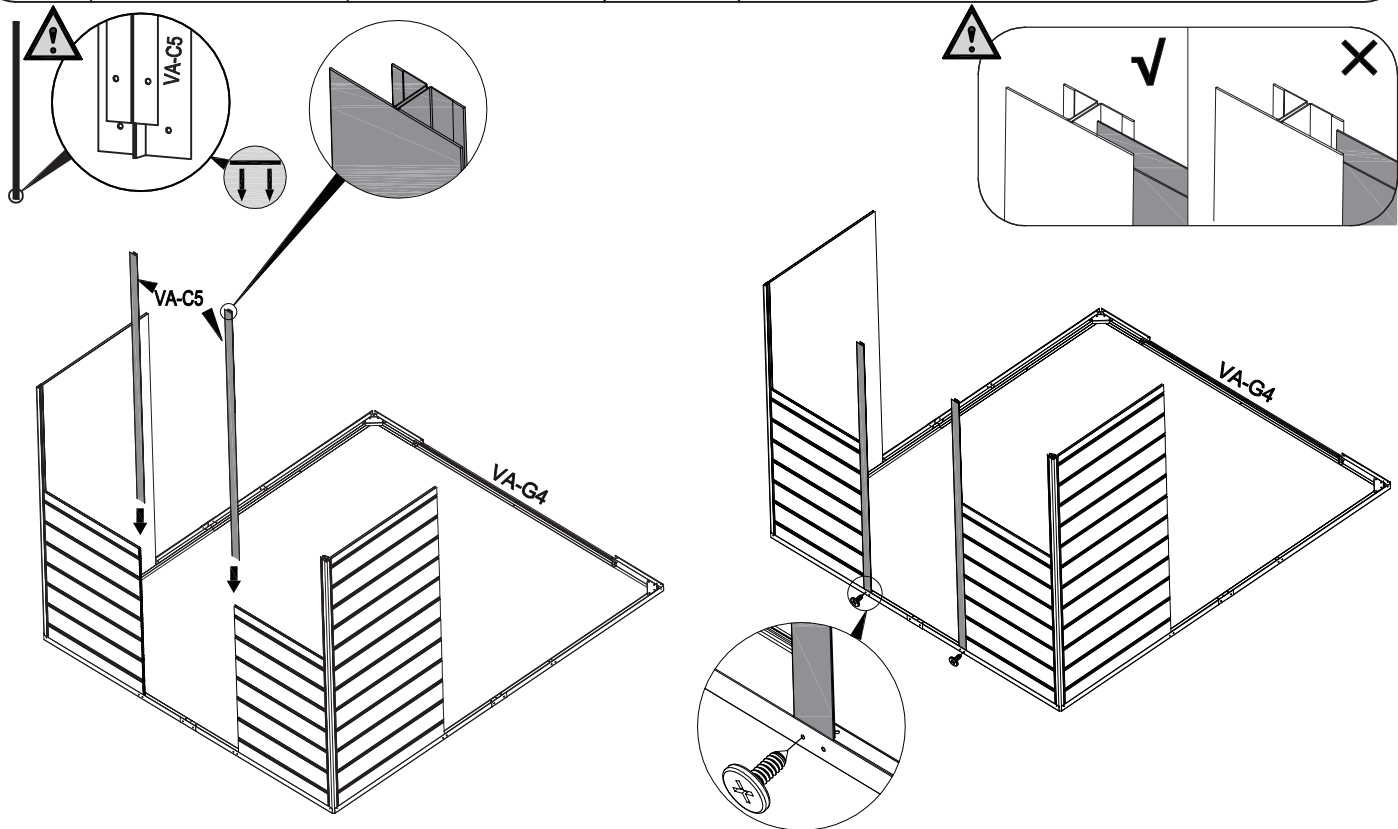
4	 PC4 [x1] 743x1100mm	 VA-H45 [x9] 19mm	 CN-A33	
----------	---	--	---	---







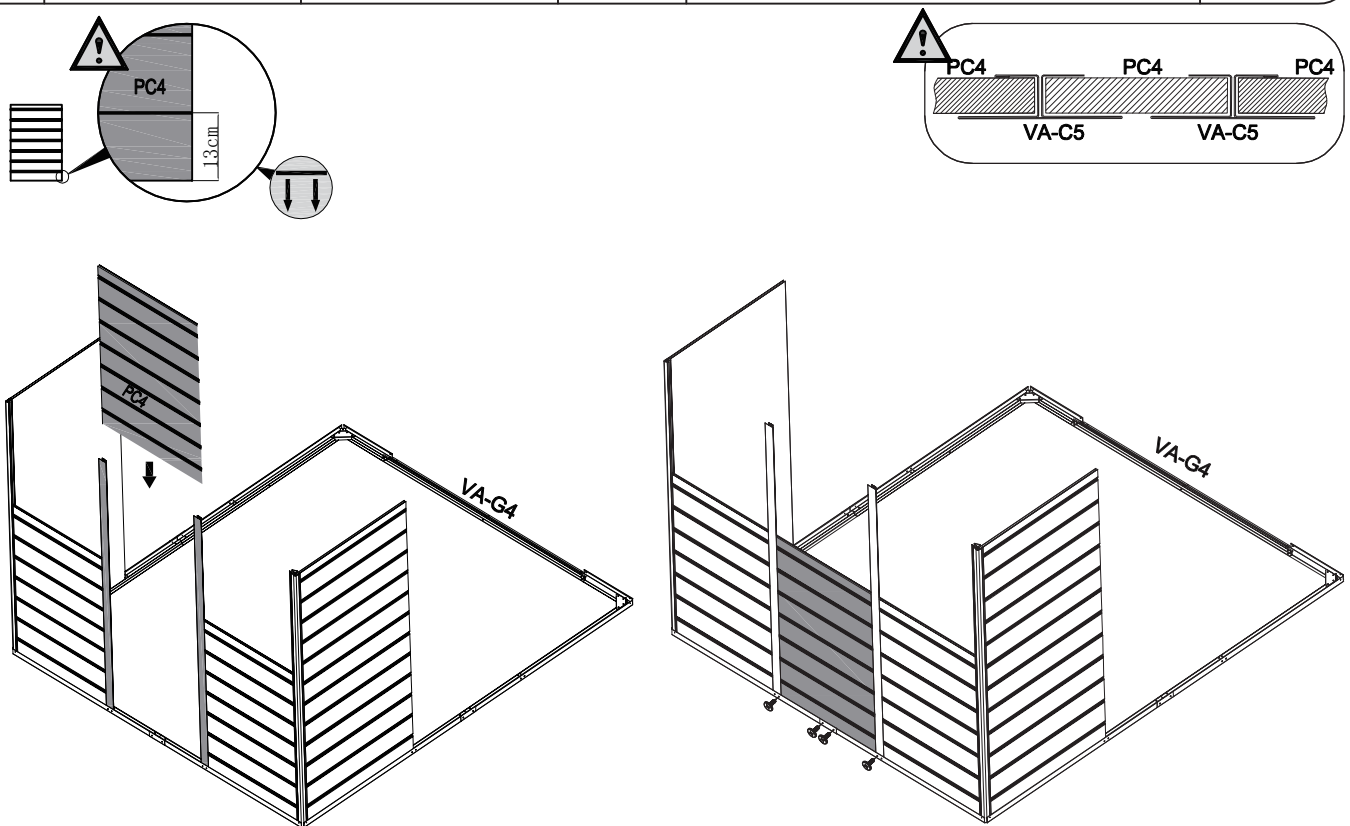
5	 VA-C7L [x1] 1860mm	 PB1 [x1] 876x1840mm	 PC4 [x1] 743x1100mm	 VA-H45 [x9] 19mm	 CN-A33	
----------	--	---	---	--	---	---



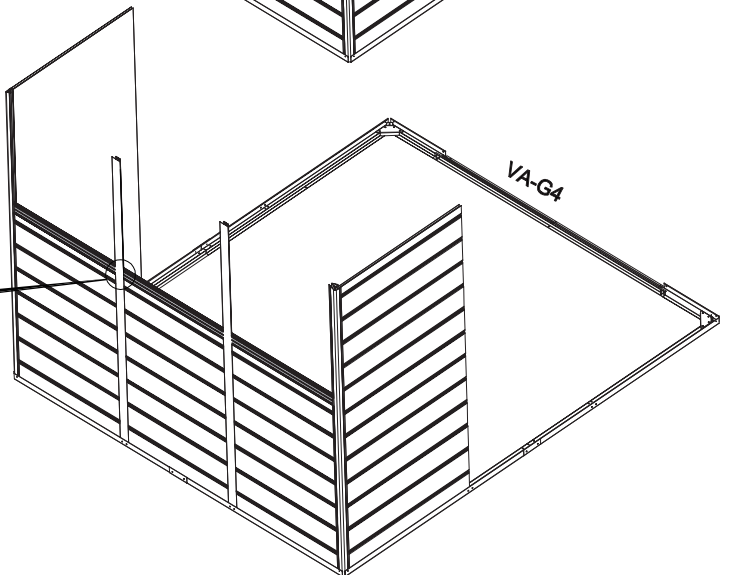
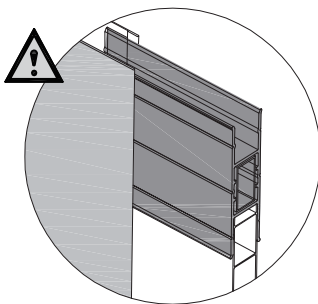
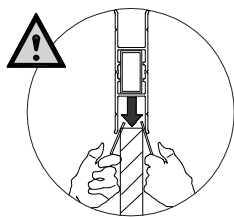
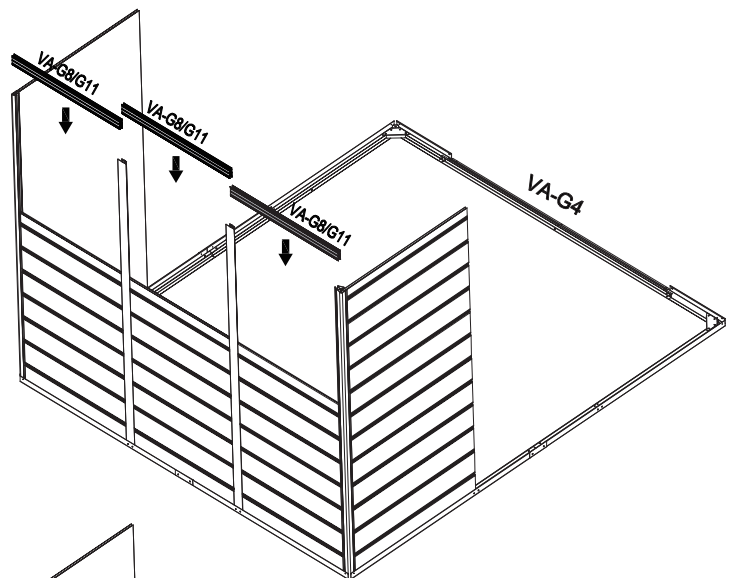
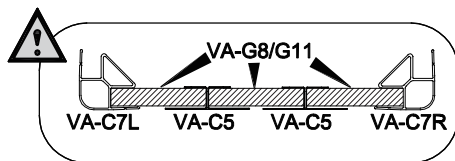
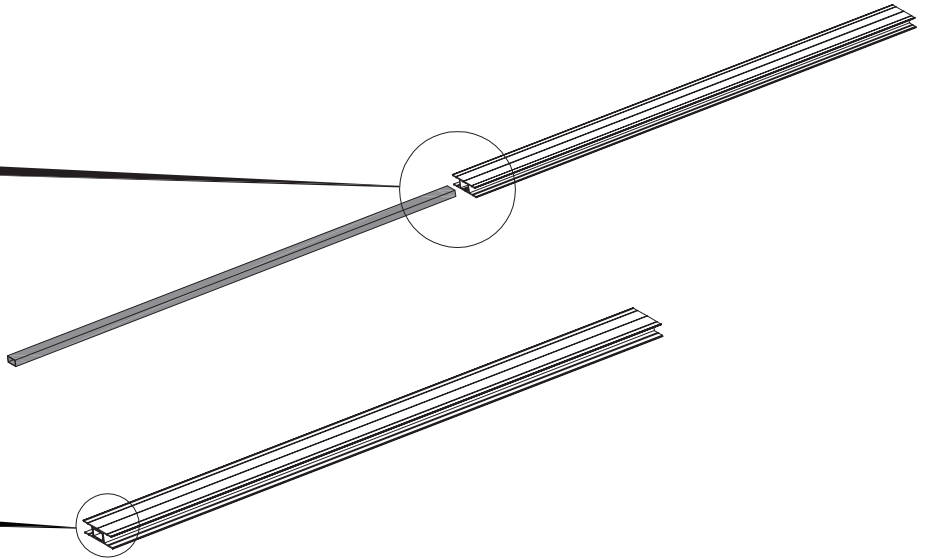
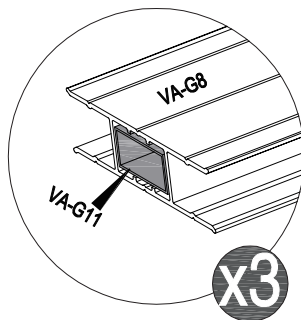
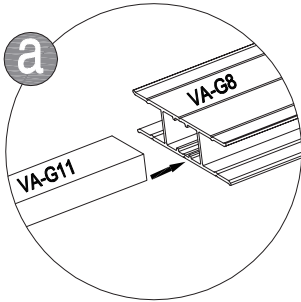
6	 VA-C5 [x2] 1840mm	 VA-H44 [x2] 13mm	 CN-A33	
----------	---	--	---	--

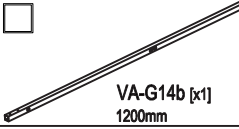
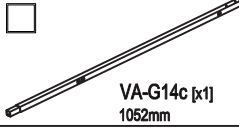
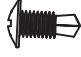


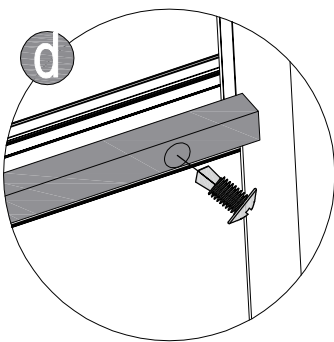
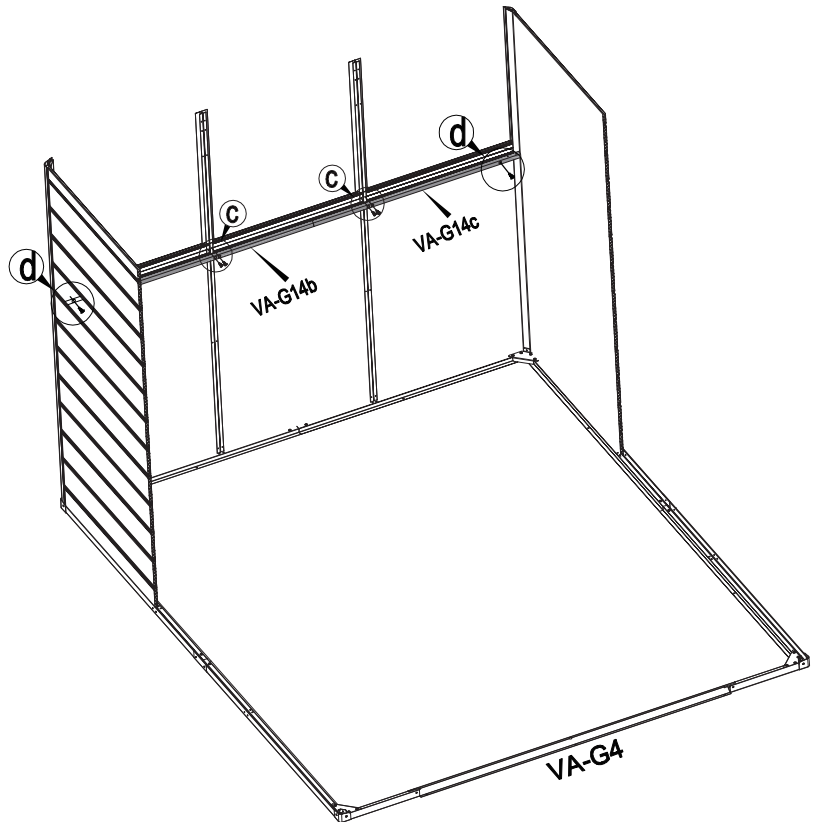
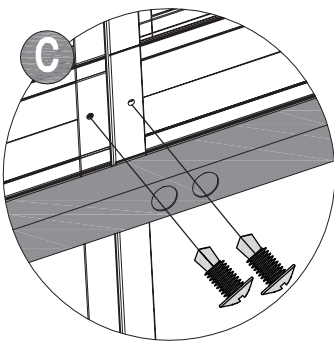
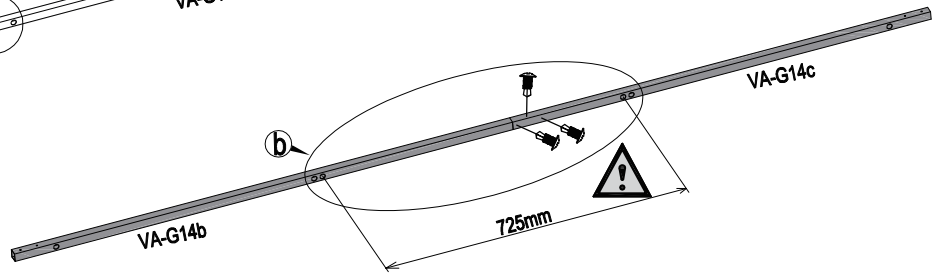
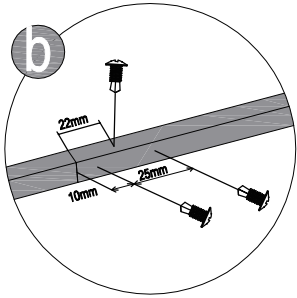
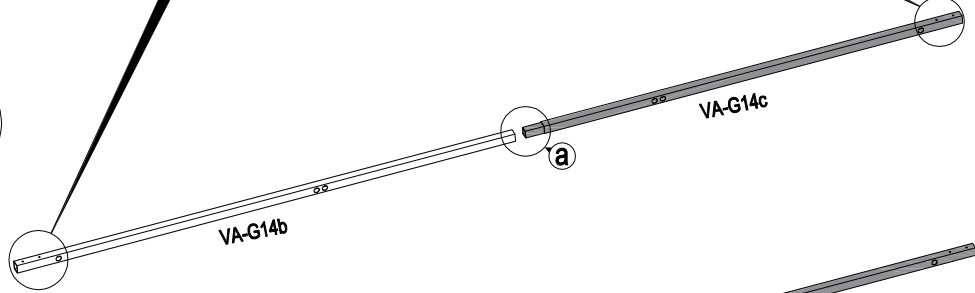
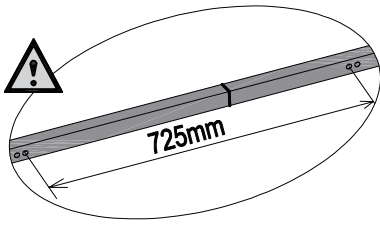
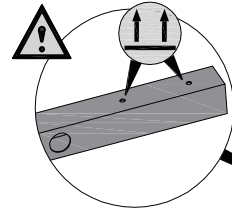
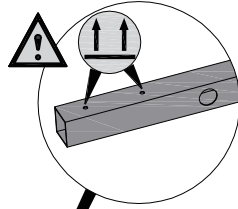
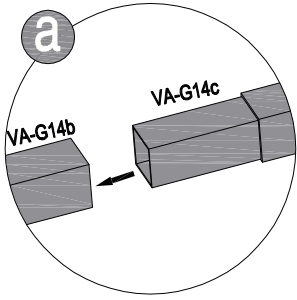
7	 PC4 [x1] 743x1100mm	 VA-H44 [x4] 13mm	 CN-A33	
----------	---	--	---	---








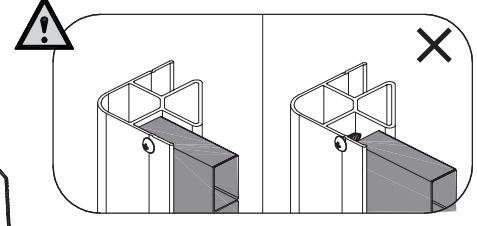
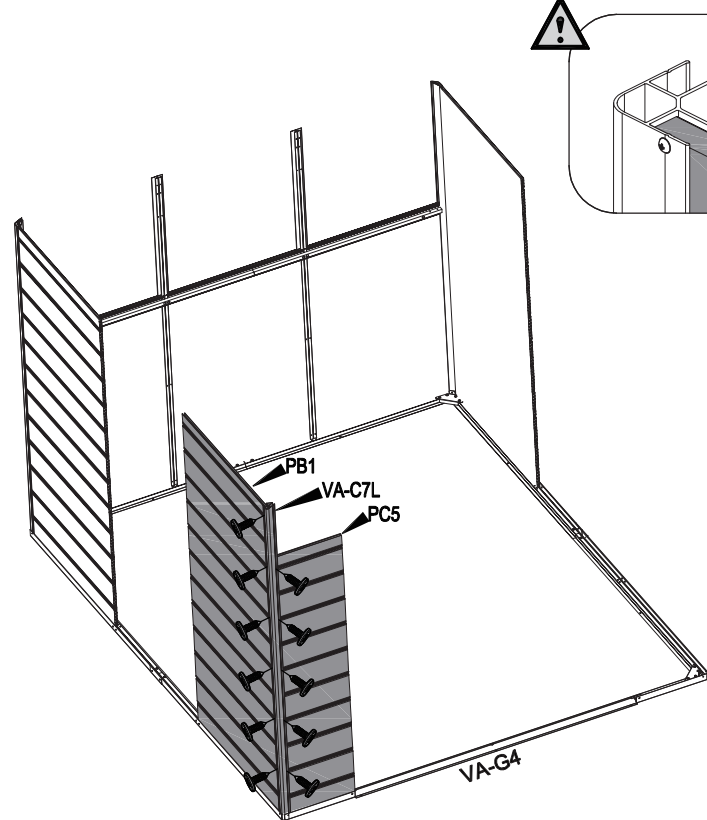
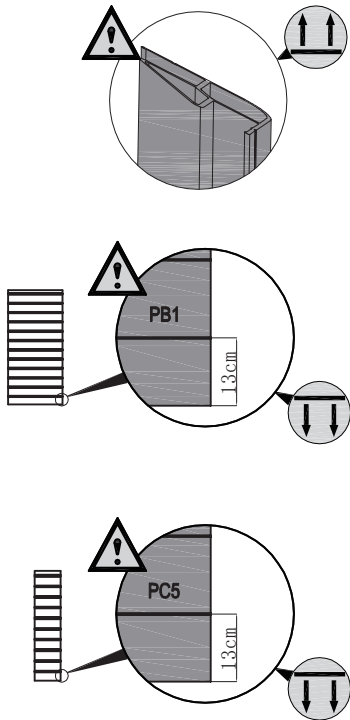
8	 VA-G8 [x3] 738mm	 VA-G11 [x3] 738mm		
----------	--	---	--	--


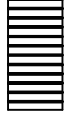






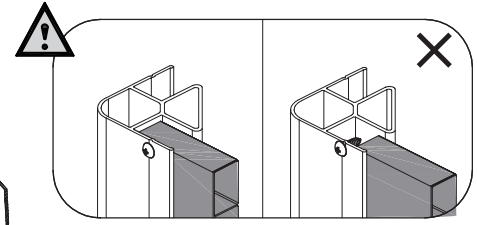
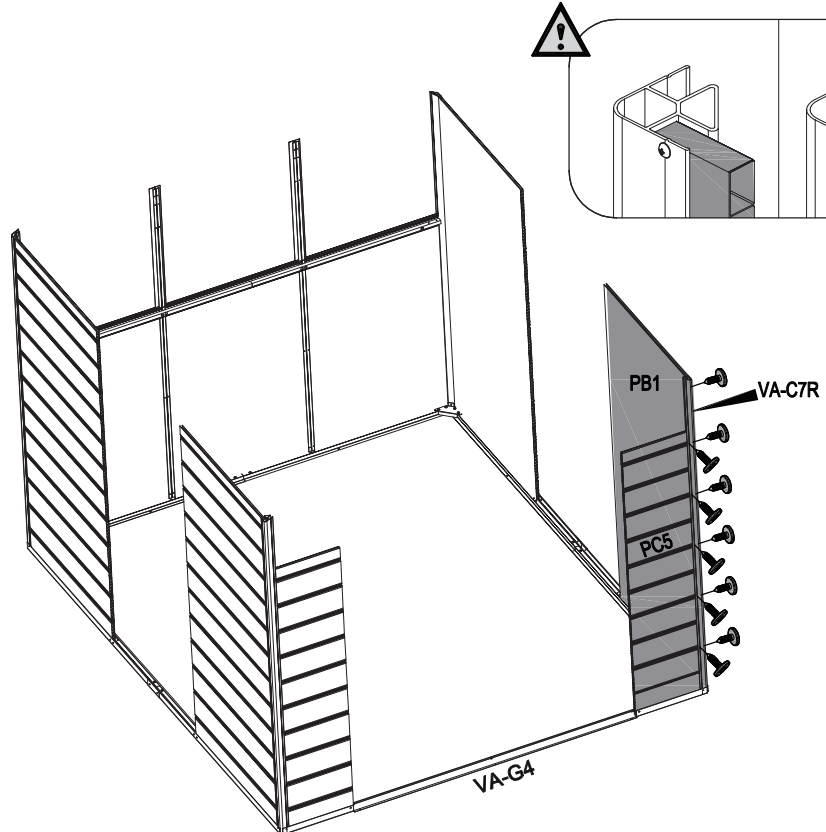
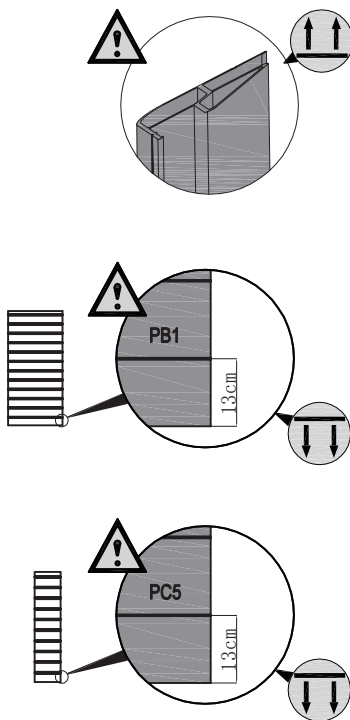
9	 VA-G14b [x1] 1200mm	 VA-G14c [x1] 1052mm	 VA-H46 [x9] 13mm			
---	---	---	--	--	--	--



10						
	VA-C7L [x1] 1860mm	PB1 [x1] 876x1840mm	PC5 [x1] 365x1548mm	VA-H45 [x11] 19mm	CN-A33	



11						
	VA-C7R [x1] 1860mm	PB1 [x1] 876x1840mm	PC5 [x1] 365x1548mm	VA-H45 [x11] 19mm	CN-A33	



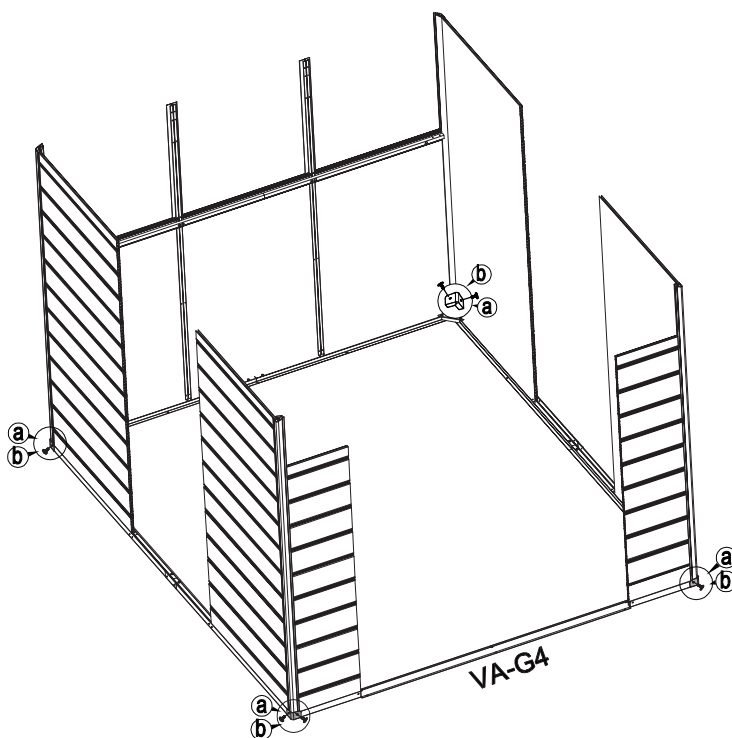
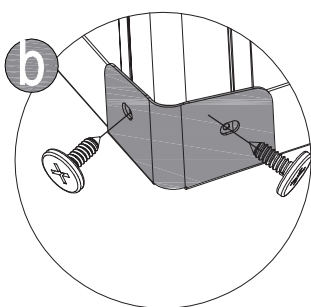
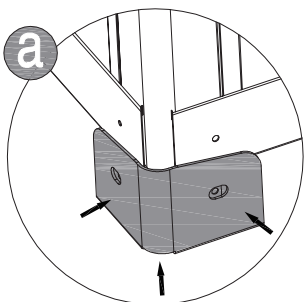
12



VA-31 [x4]



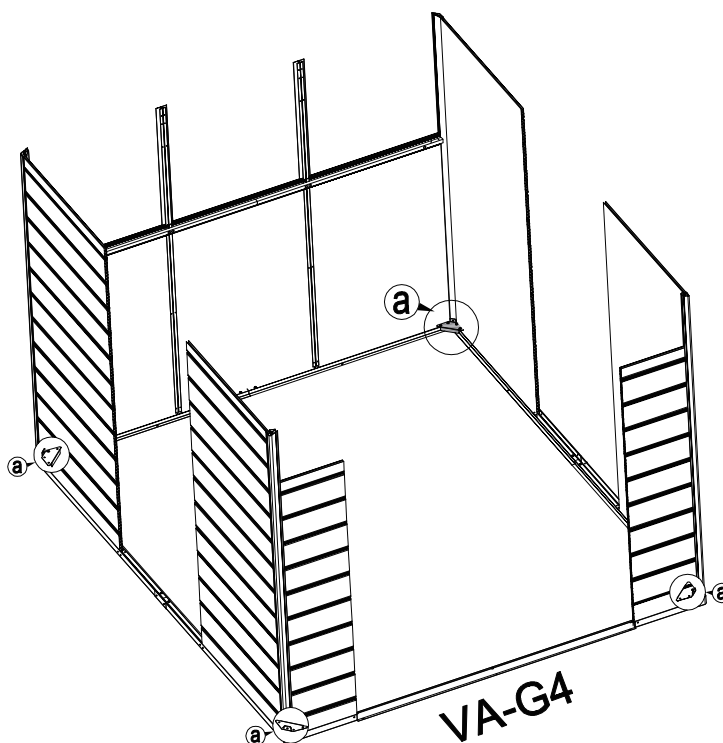
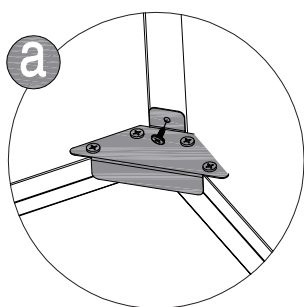
VA-H44 [x8]
13mm



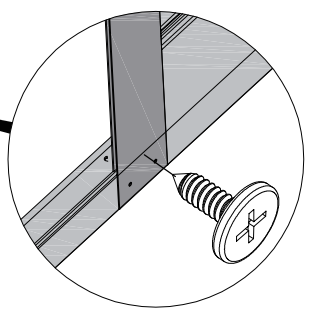
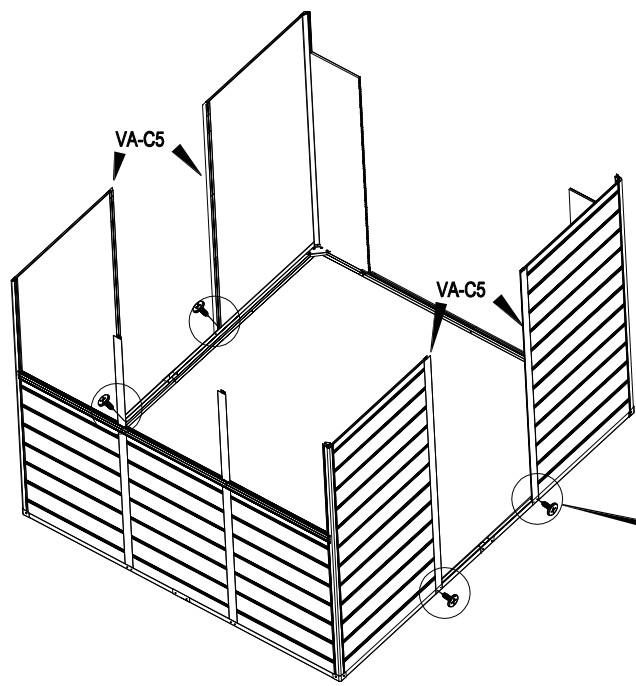
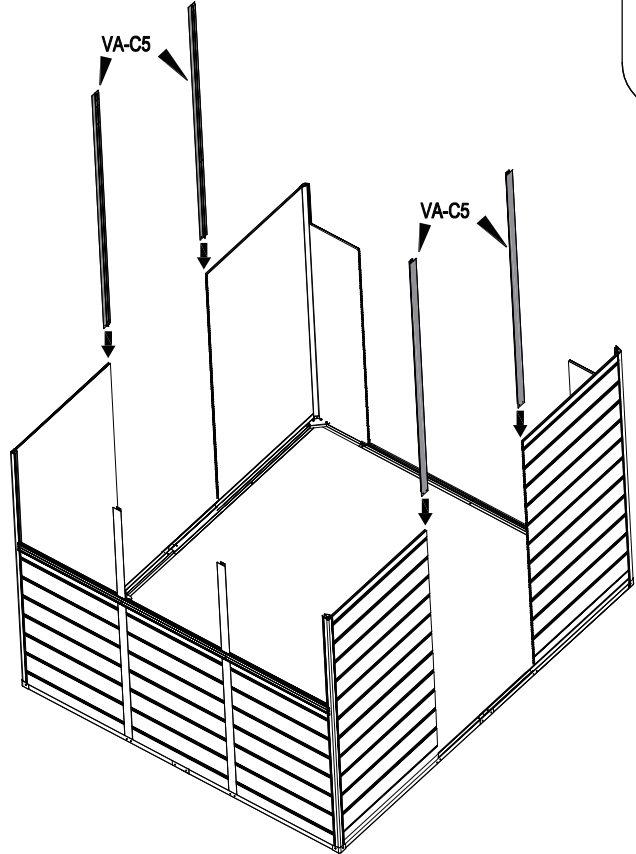
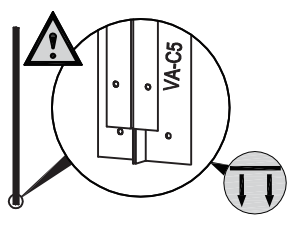
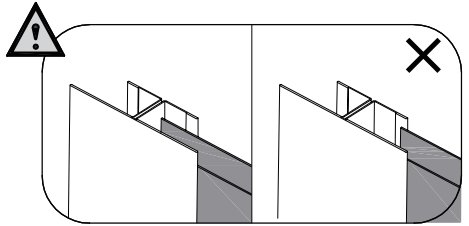
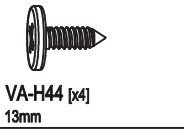
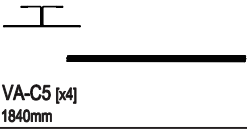
13



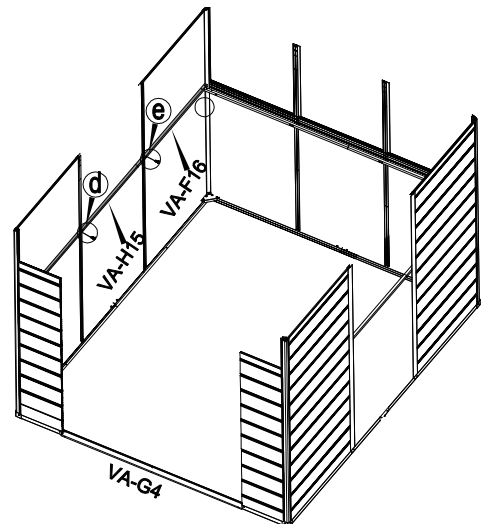
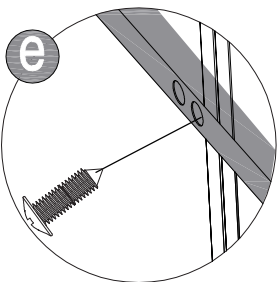
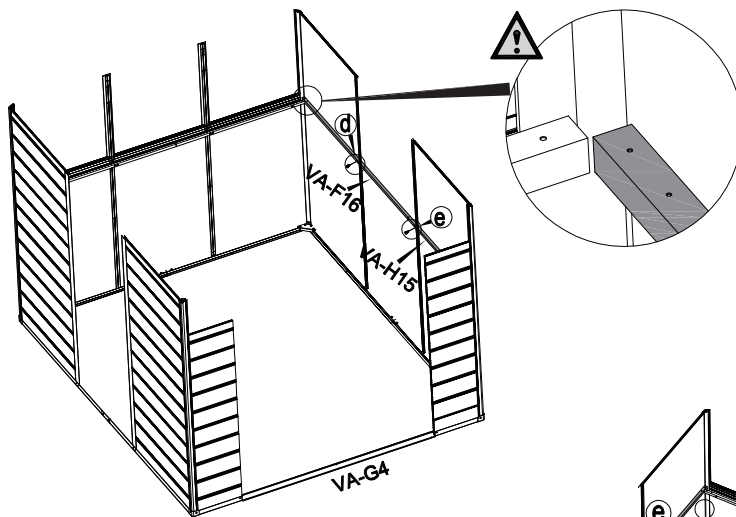
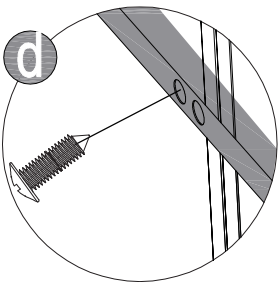
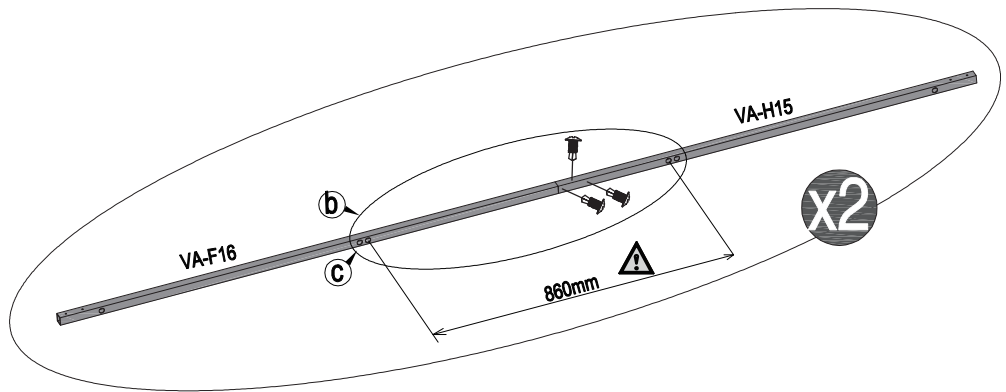
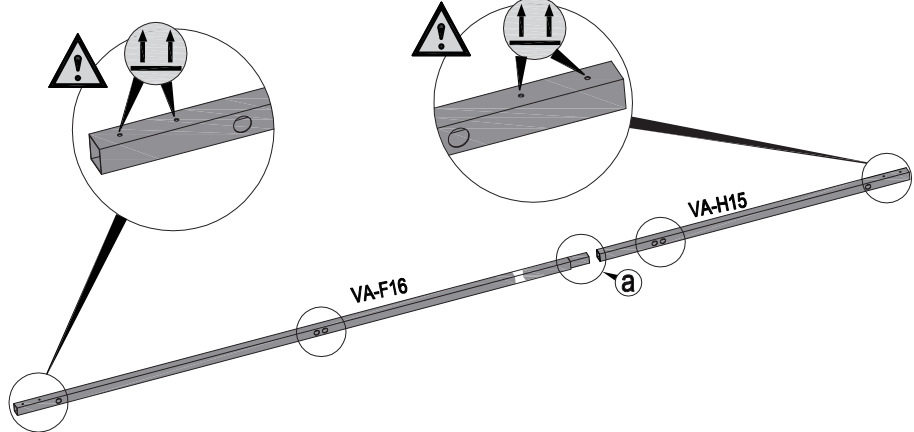
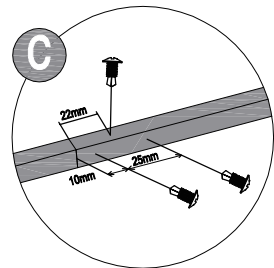
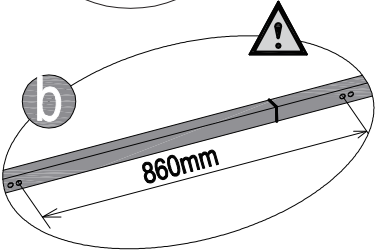
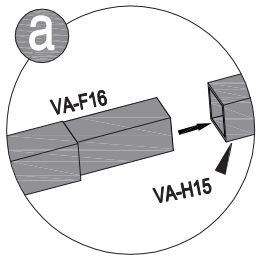
VA-H44 [x4]
13mm



14



15						
	VA-H15 [x1] 970mm	VA-F16 [x1] 1678mm	VA-H46 [x6] 13mm	VA-H49 [x4] 13mm		



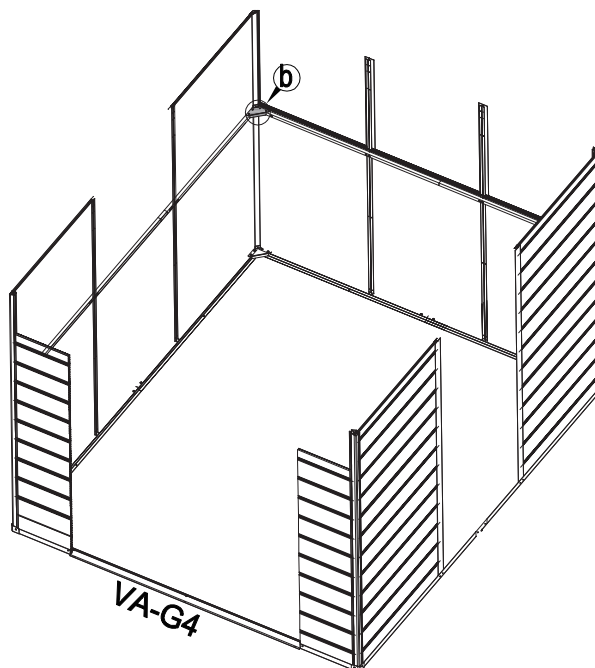
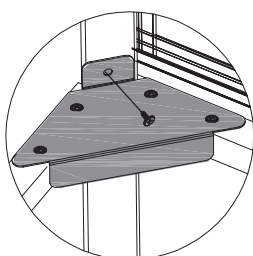
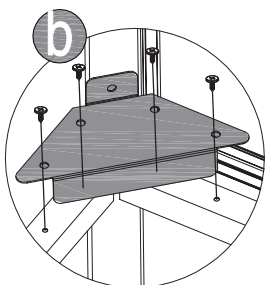
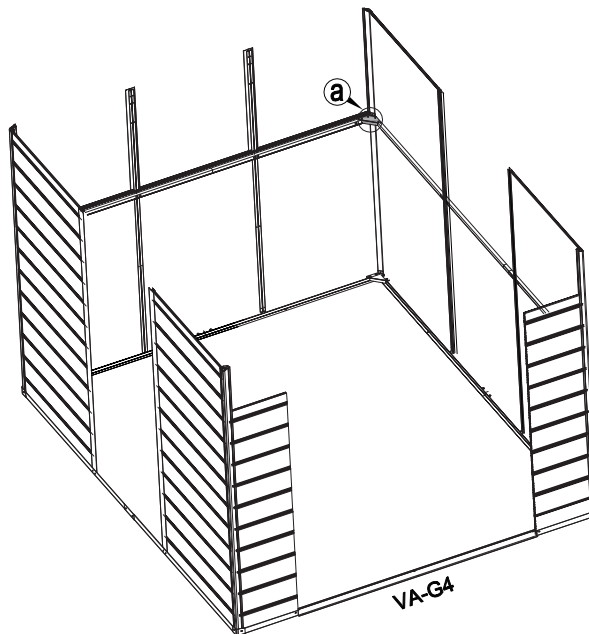
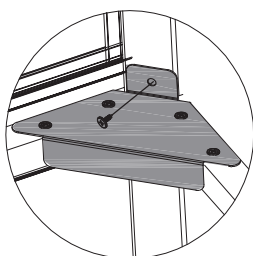
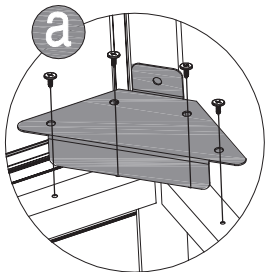
16







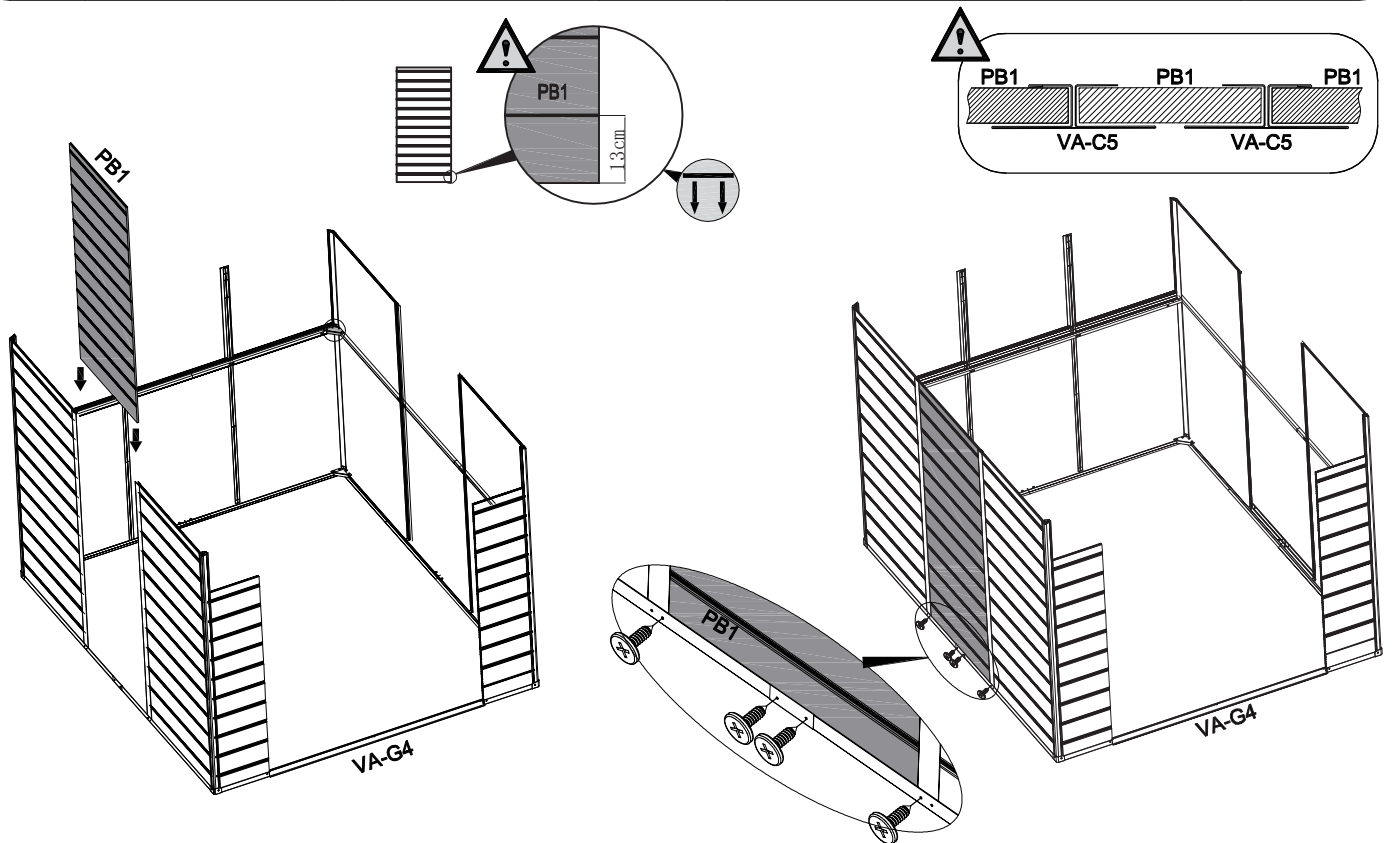
VA-30 [x2]







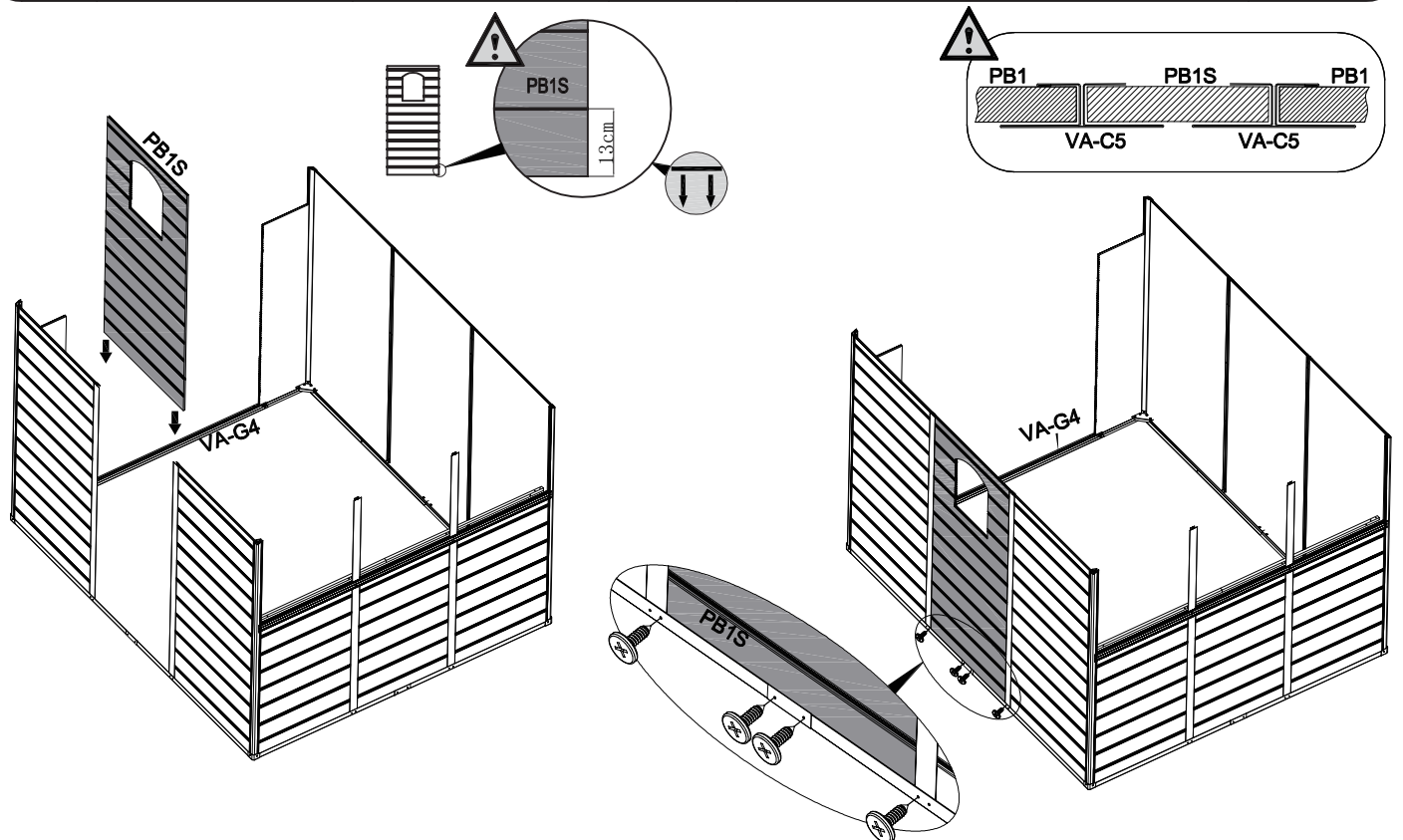
VA-H44 [x10]
13mm



17	 <p>PB1 [x1] 876x1840mm</p>	 <p>VA-H44 [x4] 13mm</p>	 <p>CN-A33</p>	
----	--	---	---	---



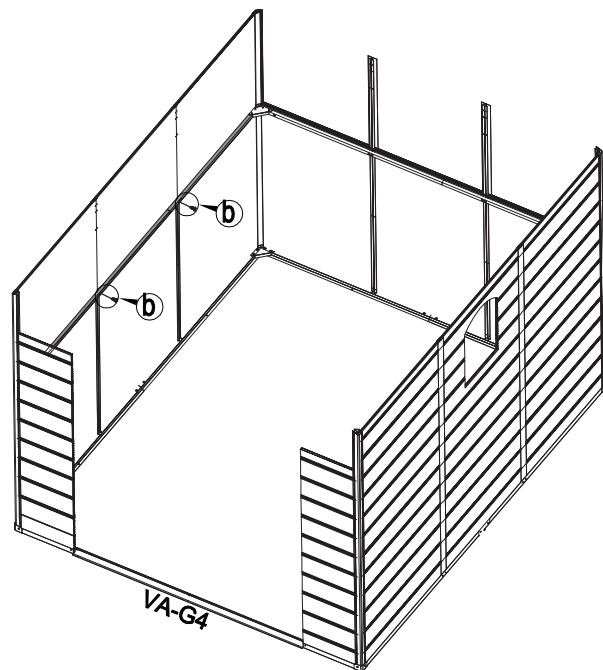
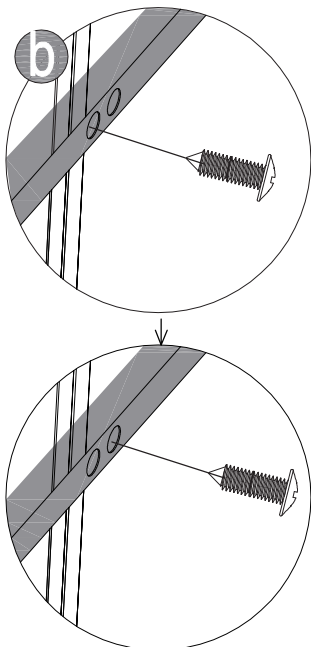
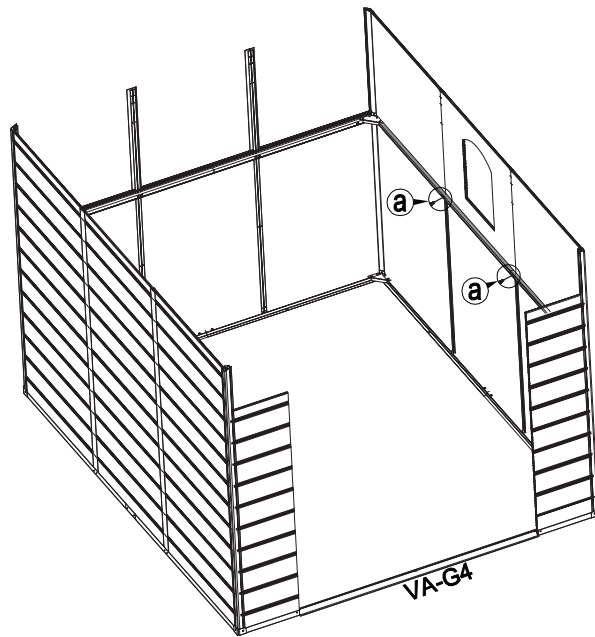
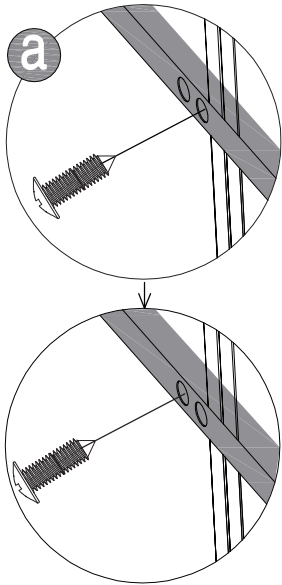
18	 <p>PB1S [x1] 876x1840mm</p>	 <p>VA-H44 [x4] 13mm</p>	 <p>CN-A33</p>	
----	---	---	---	---





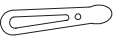


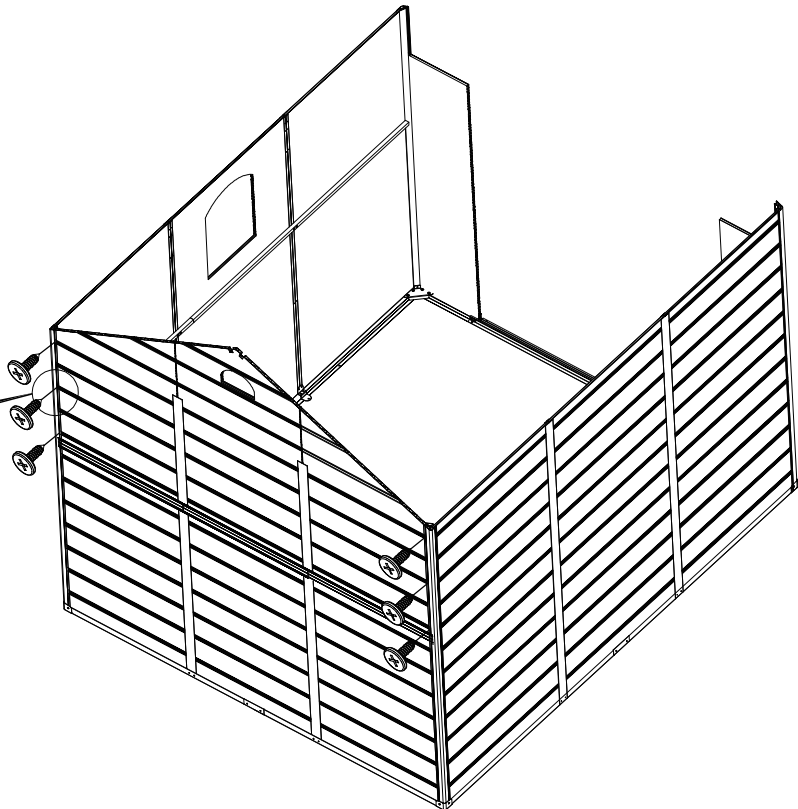
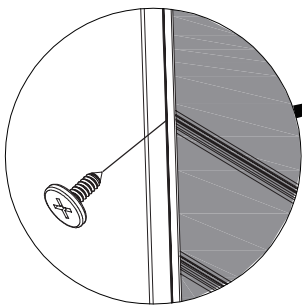
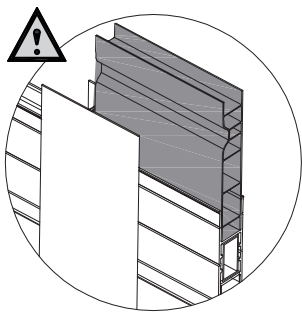
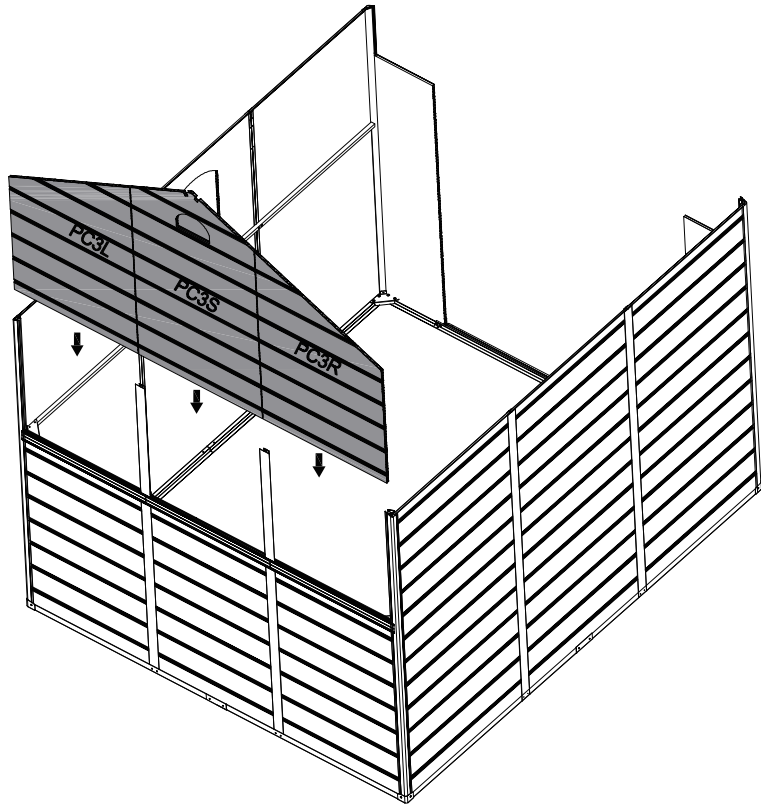
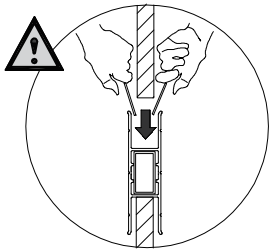
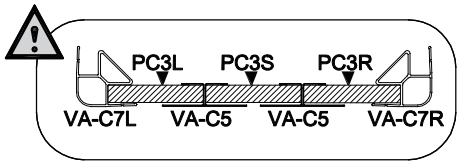
19

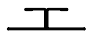




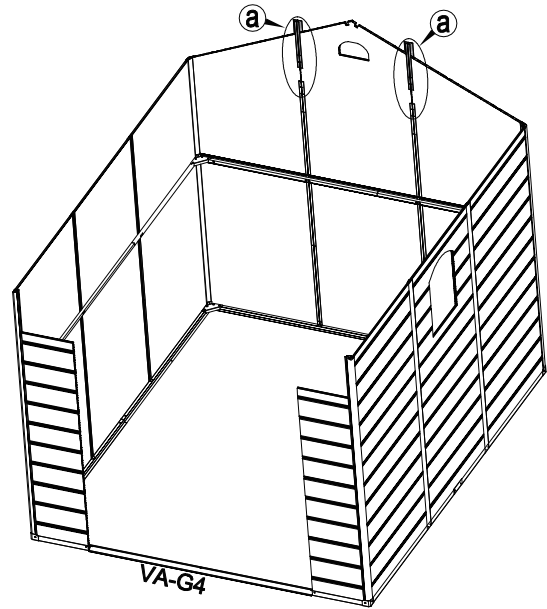
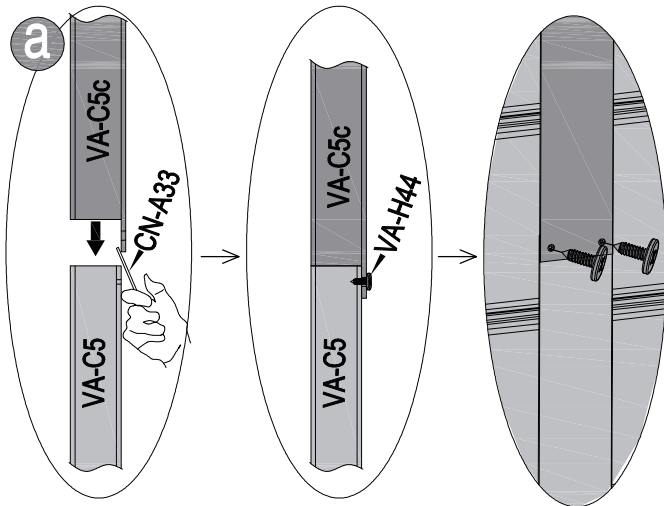
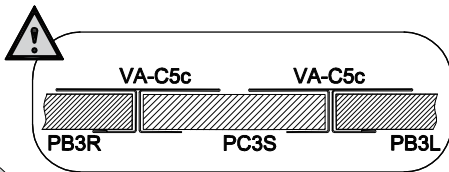
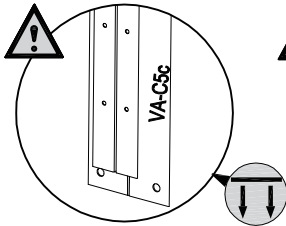
VA-H49 [x4]
13mm





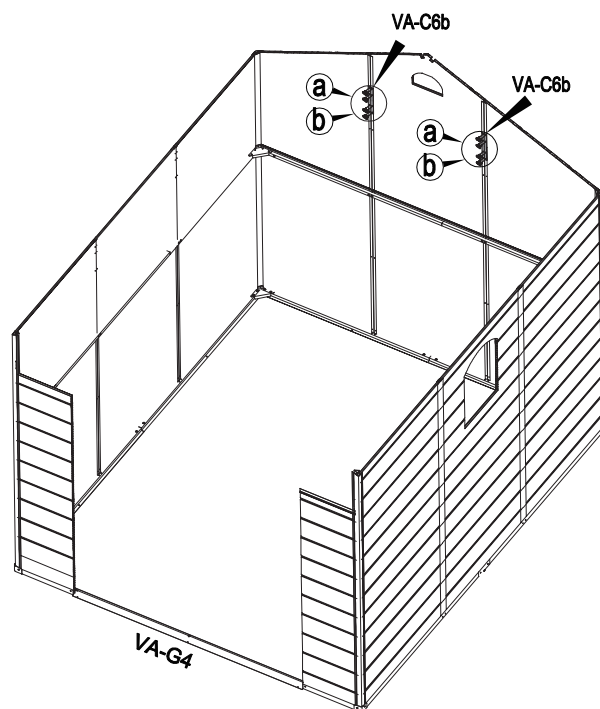
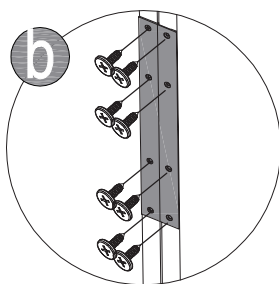
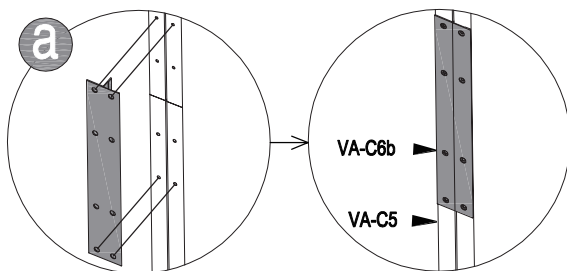
20	 PC3L [x1] 743x1072mm	 PC3R [x1] 743x1072mm	 PC3S [x1] 743x1248mm	 VA-H45 [x6] 19mm	 CN-A33
----	--	--	--	--	---



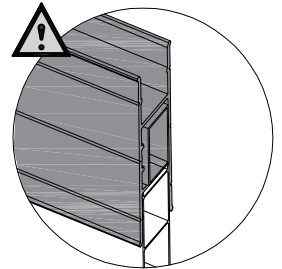
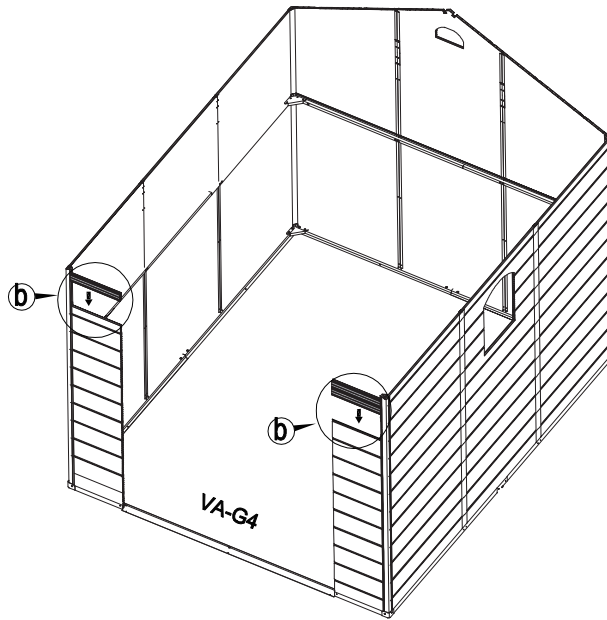
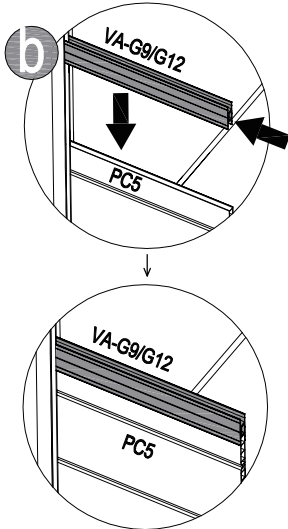
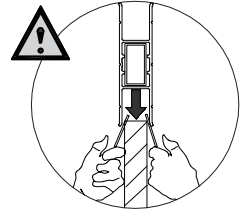
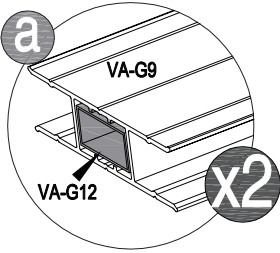
21	 VA-C5c [x2] 365mm	 VA-H44 [x4] 13mm	 CN-A33	
----	---	--	---	--


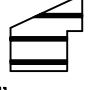
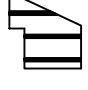

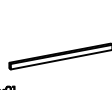



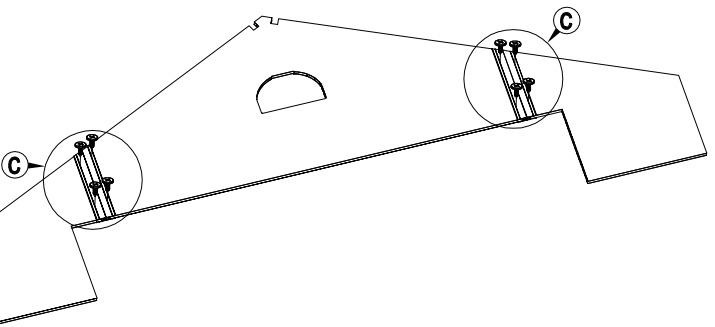
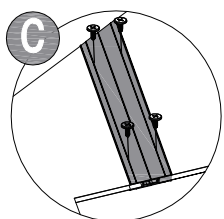
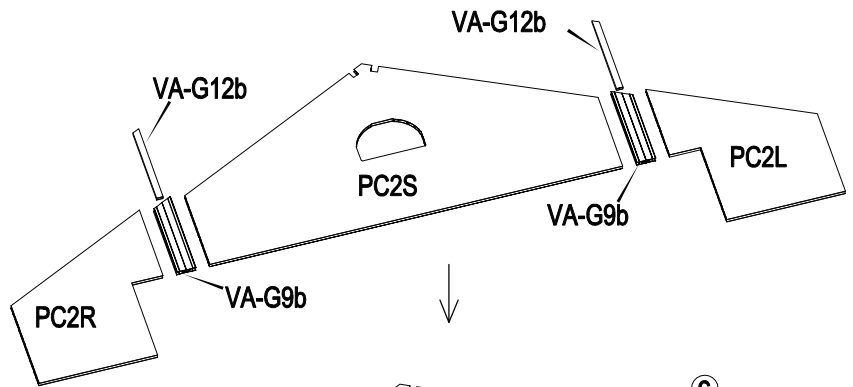
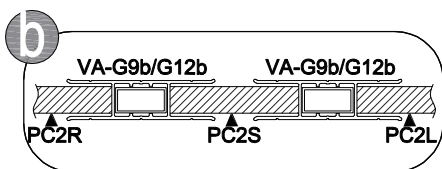
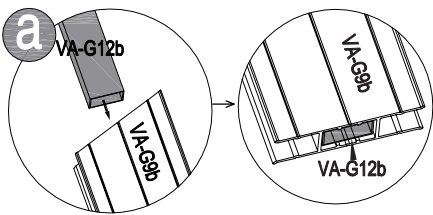
22	 VA-C6b [x2] 200mm	 VA-H44 [x16] 13mm	
----	---	---	--



23					CN-A33	
	VA-G9 [x2] 360mm	VA-G12 [x2] 360mm				



24						
	PC2S [x1] 1270x542mm	PC2L [x1] 461x492mm	PC2R [x1] 461x492mm	VA-G9b [x2] 254mm	VA-G12b [x2] 225mm	



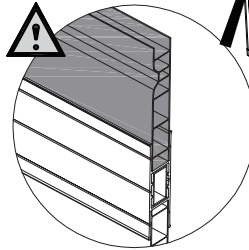
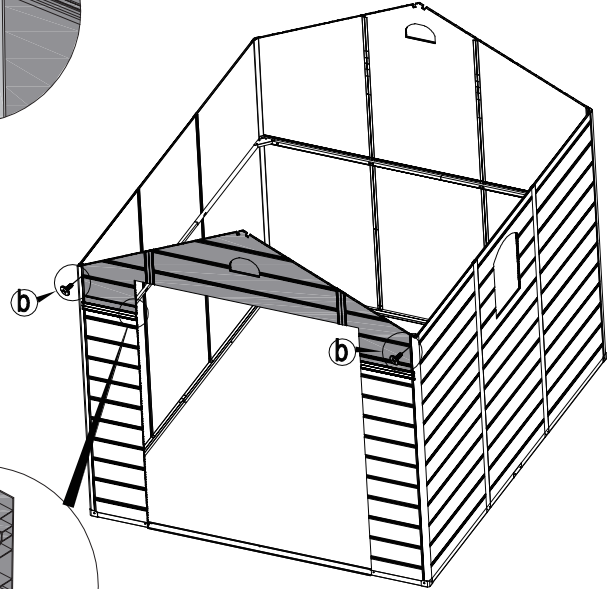
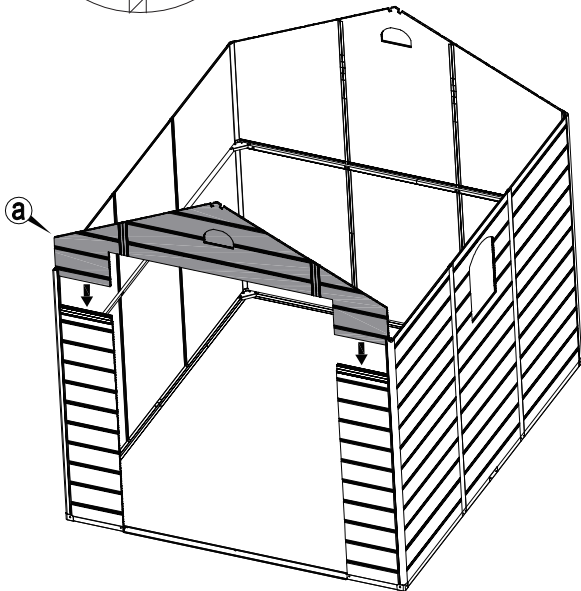
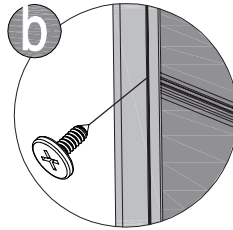
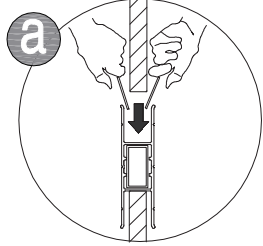
25



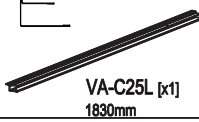
VA-H45 [x2]
13mm



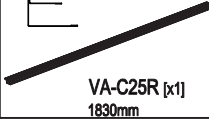
CN-A33



26



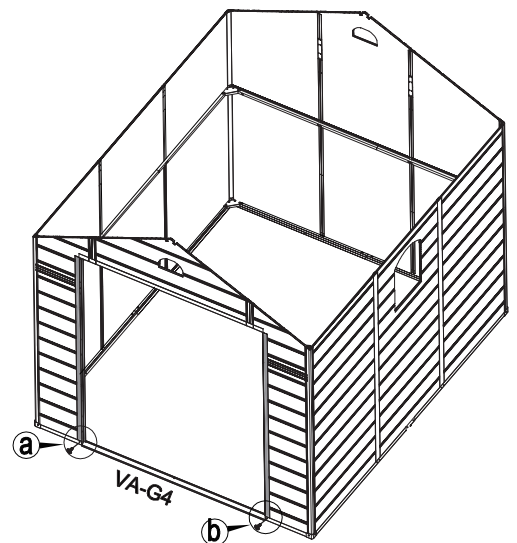
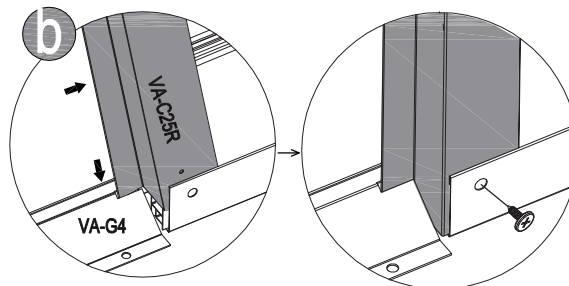
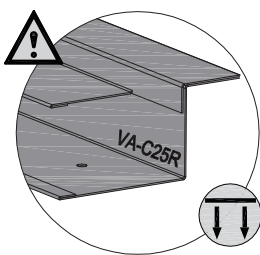
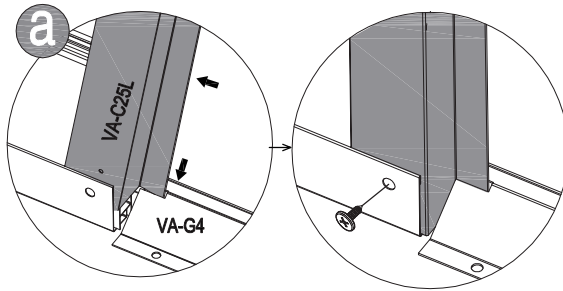
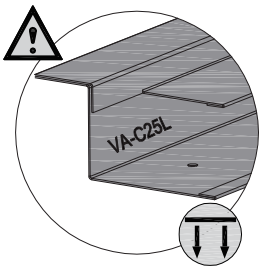
VA-C25L [x1]
1830mm






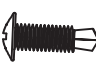


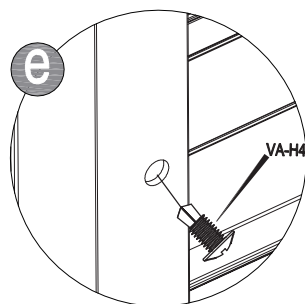
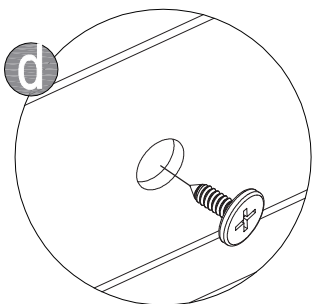
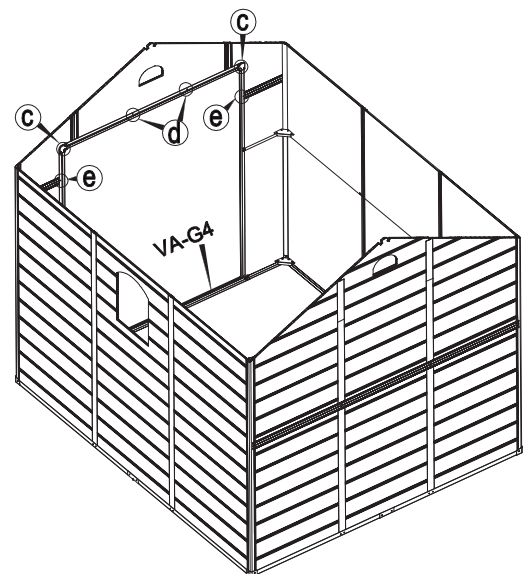
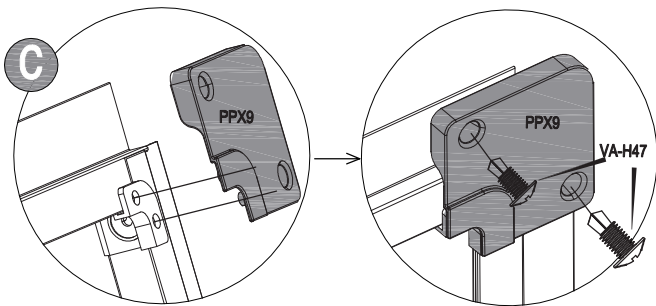
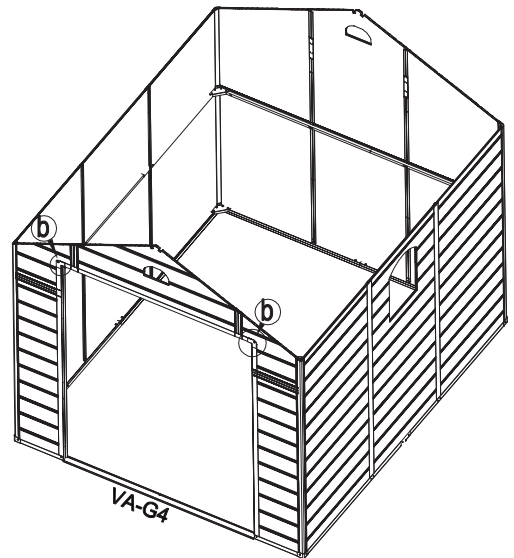
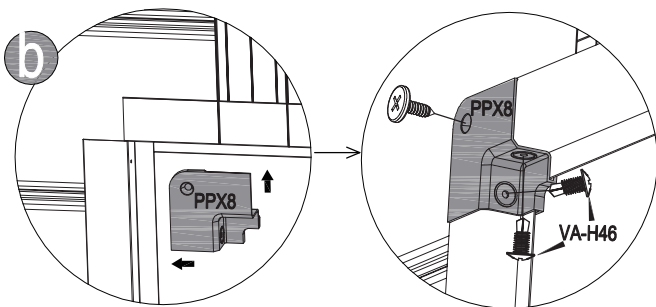
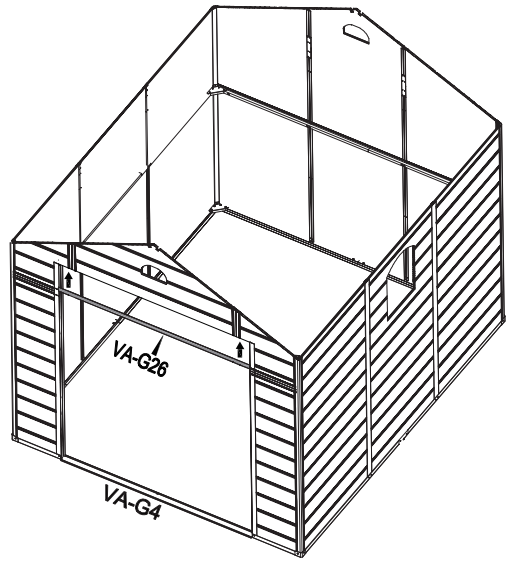
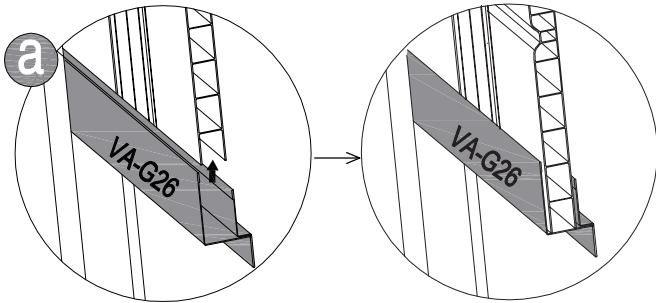
VA-C25R [x1]
1830mm

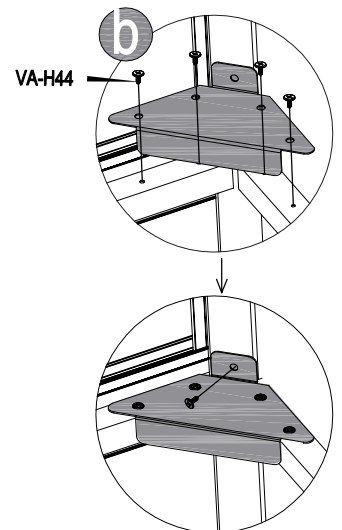
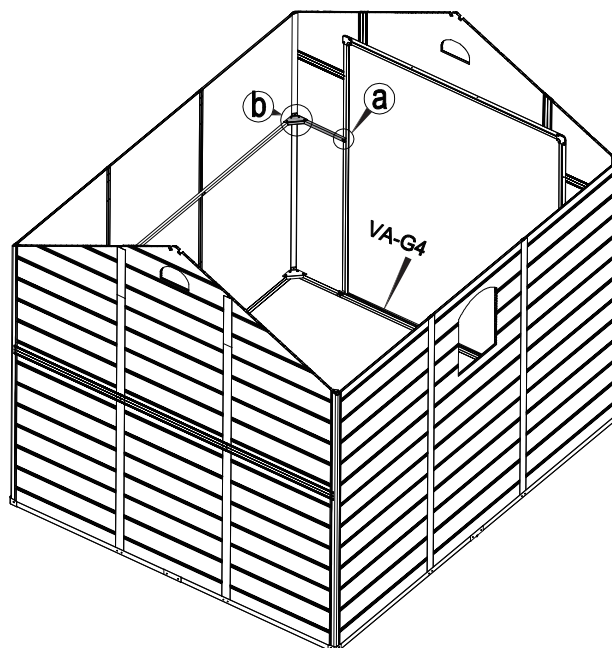
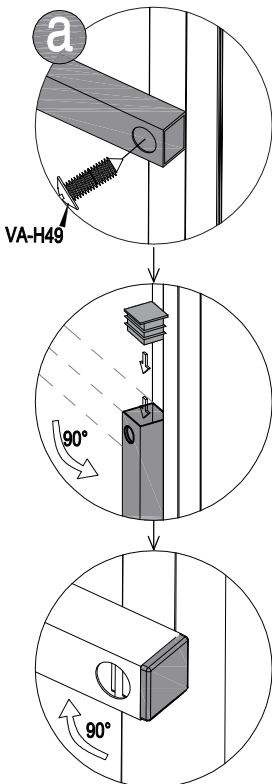
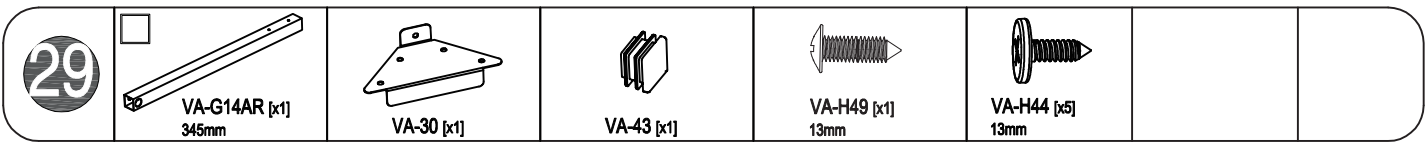
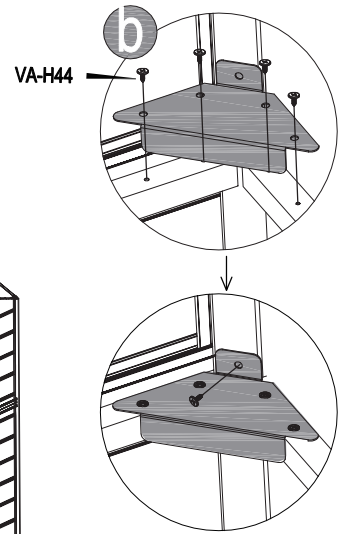
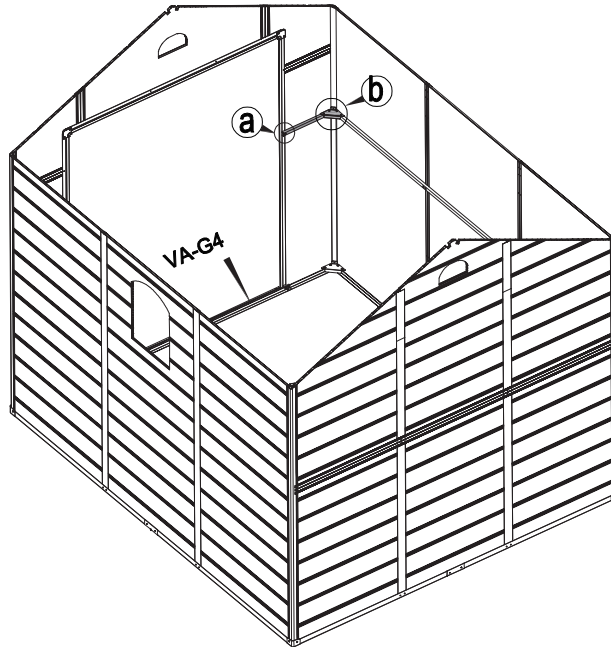
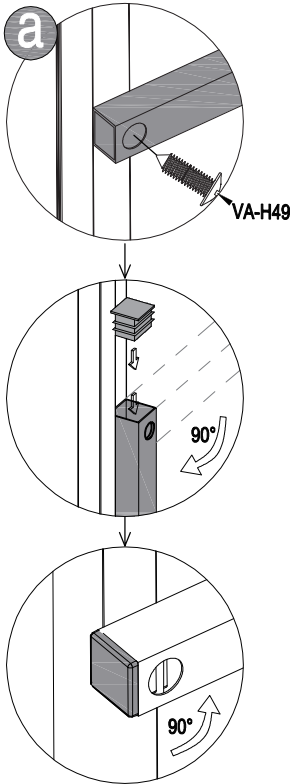
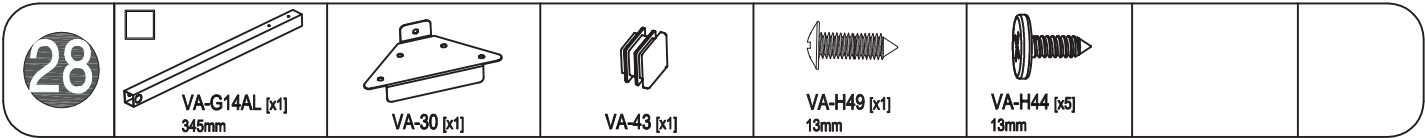


VA-H44 [x2]
13mm



27	 VA-G26 [x1] 1508mm	 PPX8 [x2]	 PPX9 [x2]	 VA-H44 [x4] 13mm	 VA-H46 [x6] 13mm	 VA-H47 [x4] 19mm	
----	--	--	--	--	--	--	--

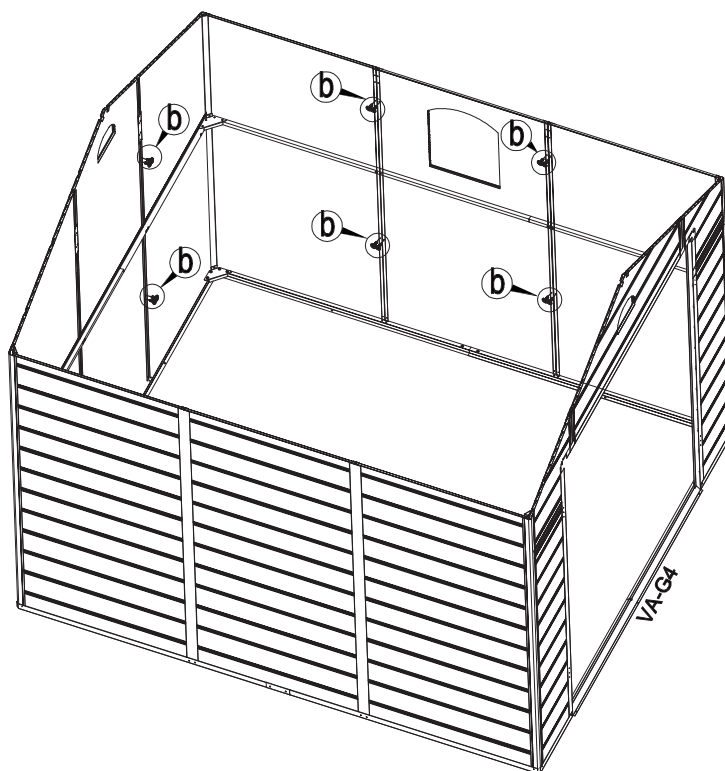
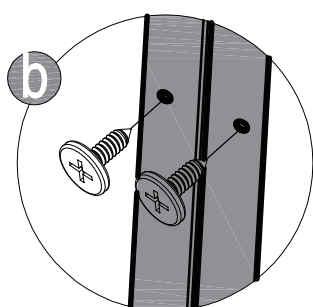
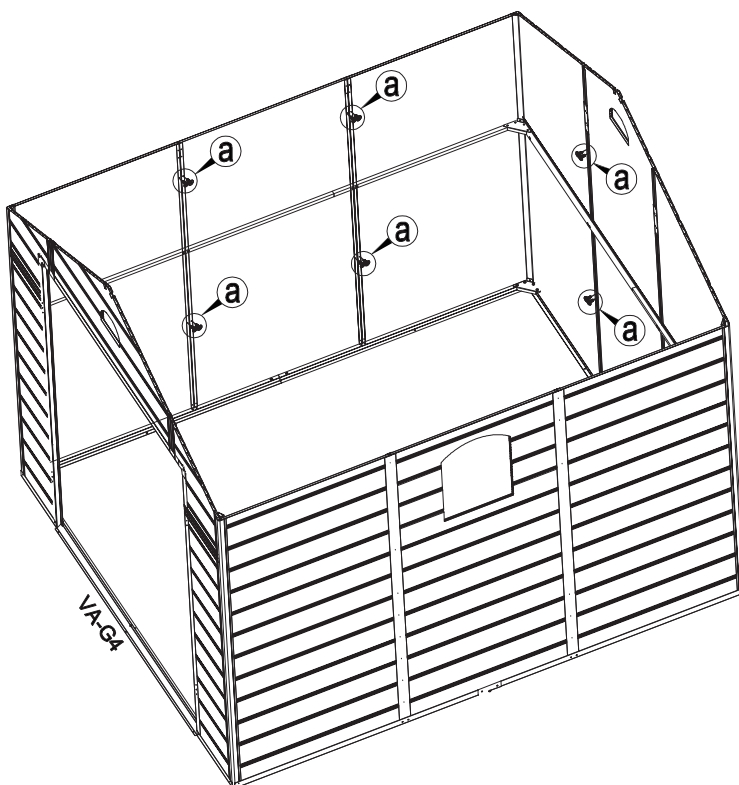
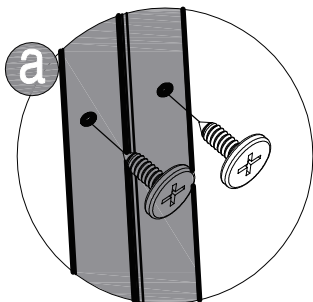









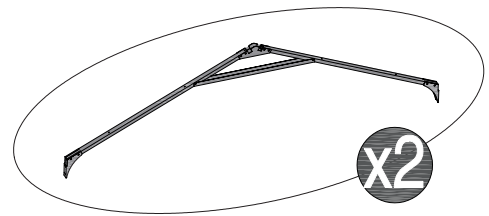
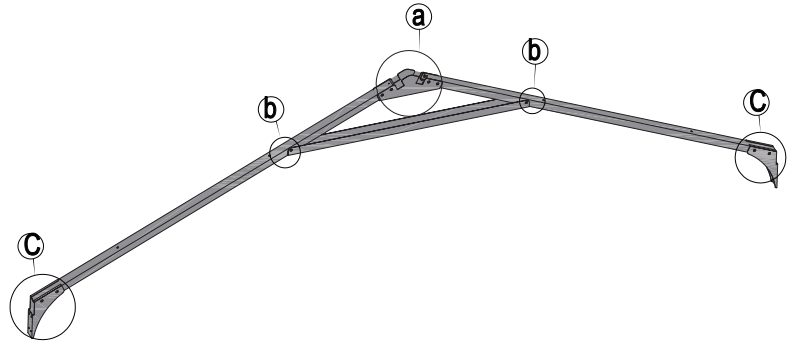
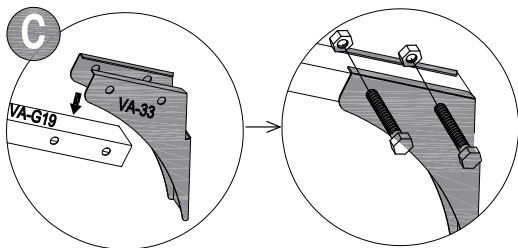
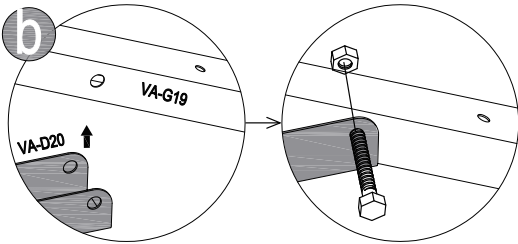
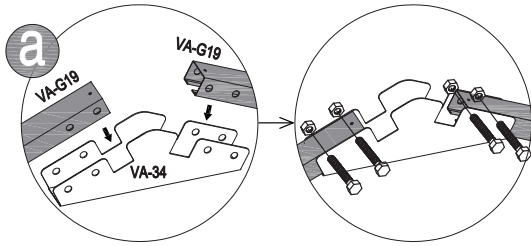
30

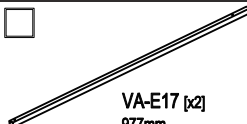
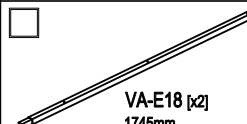
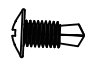


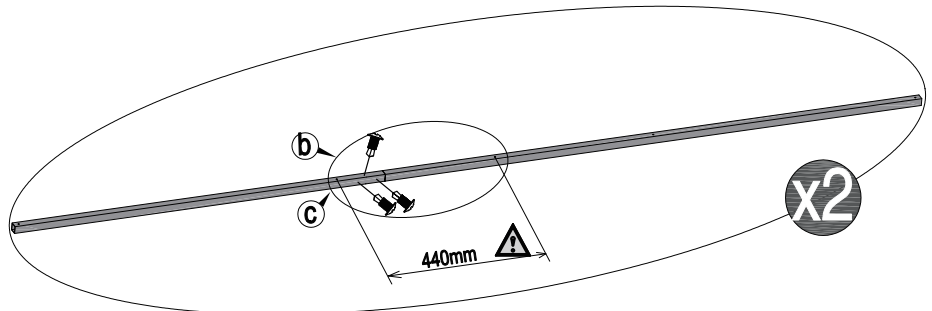
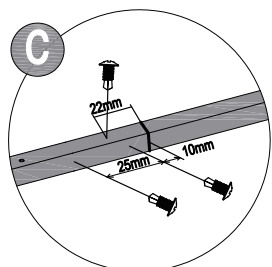
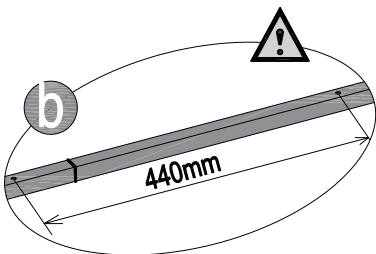
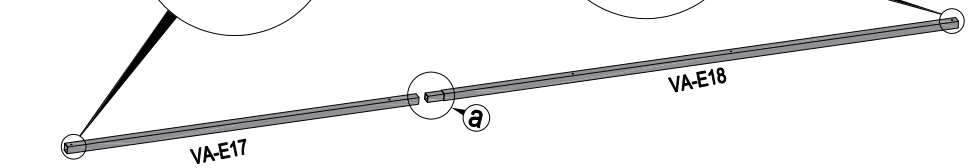
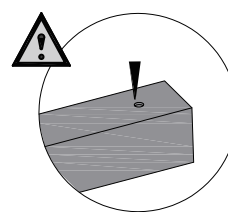
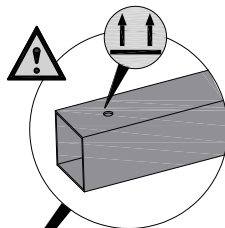
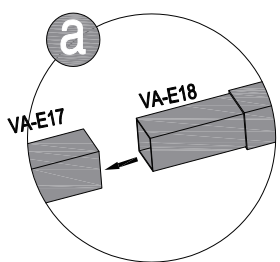
VA-H44 [x24]
13mm



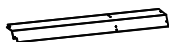
31	 VA-34 [x2]	 VA-33 [x4]	 VA-G19 [x4] 1181mm	 VA-D20 [x2] 725mm	 VA-H50 [x20] 40mm	
----	---	---	--	--	---	--



32	 VA-E17 [x2] 977mm	 VA-E18 [x2] 1745mm	 VA-H46 [x6] 13mm	
----	---	--	--	--



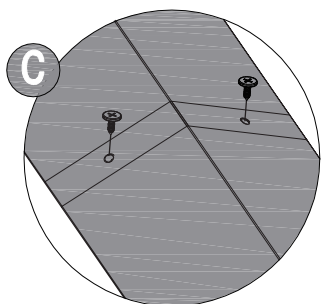
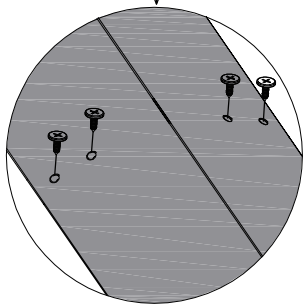
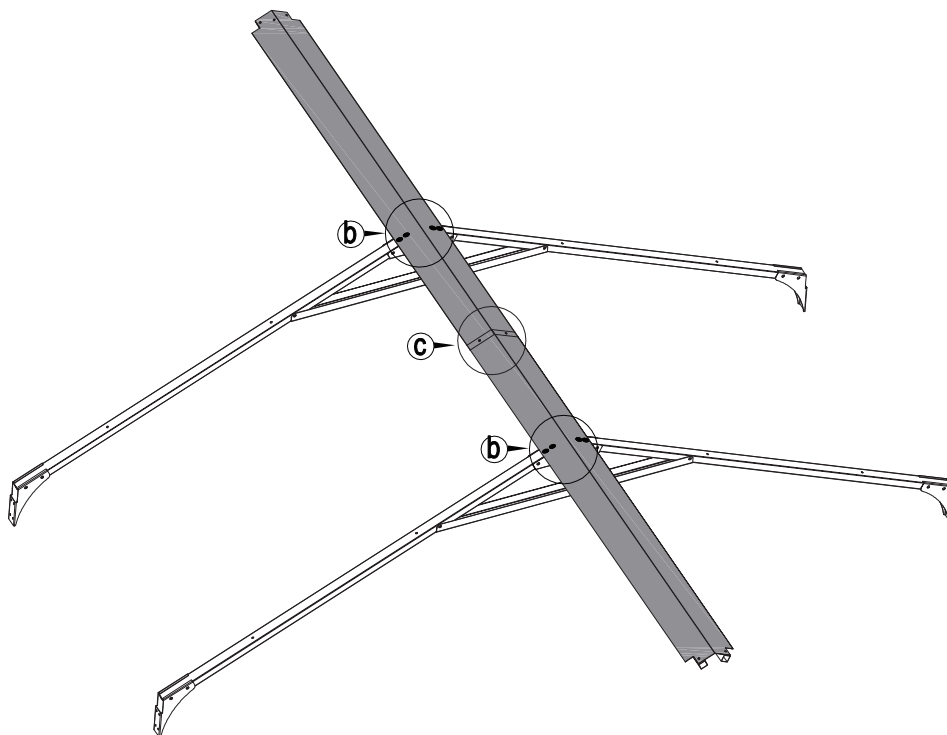
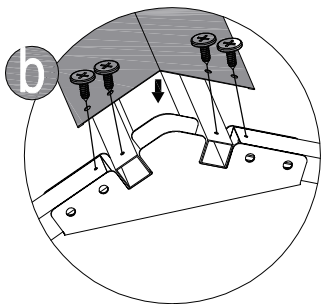
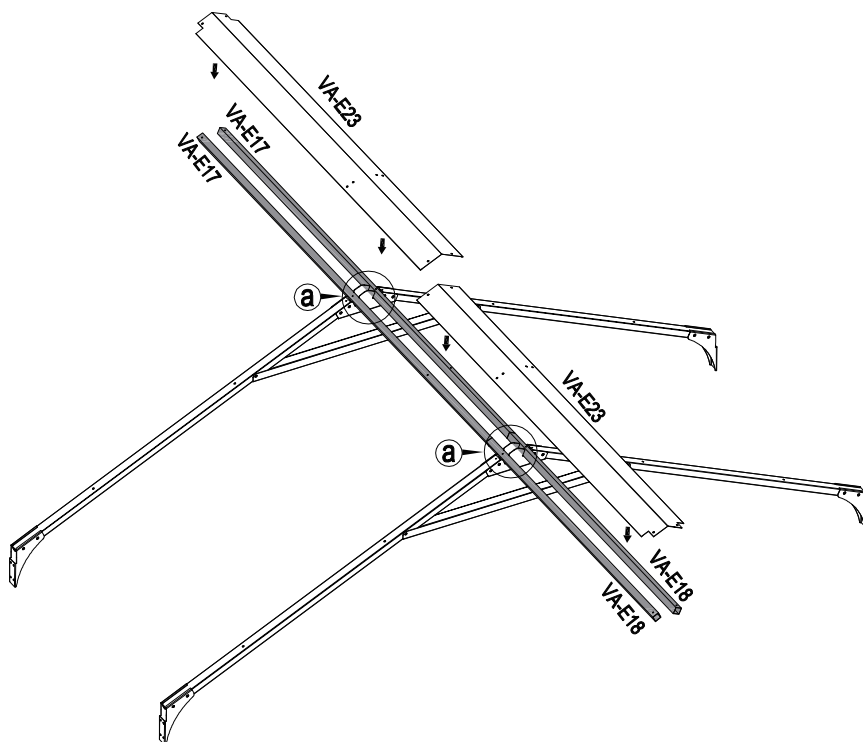
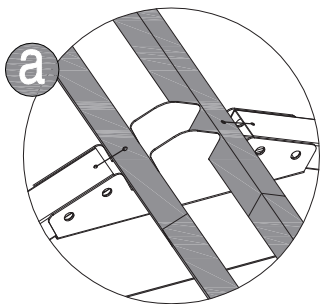
33



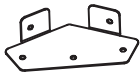
VA-E23 [x2]
1348mm



VA-H44 [x10]
13mm



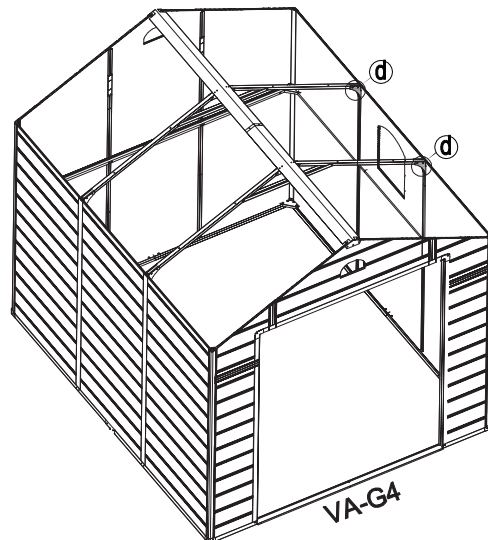
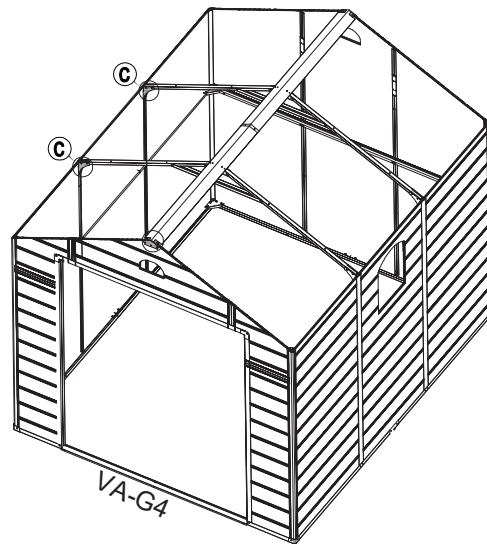
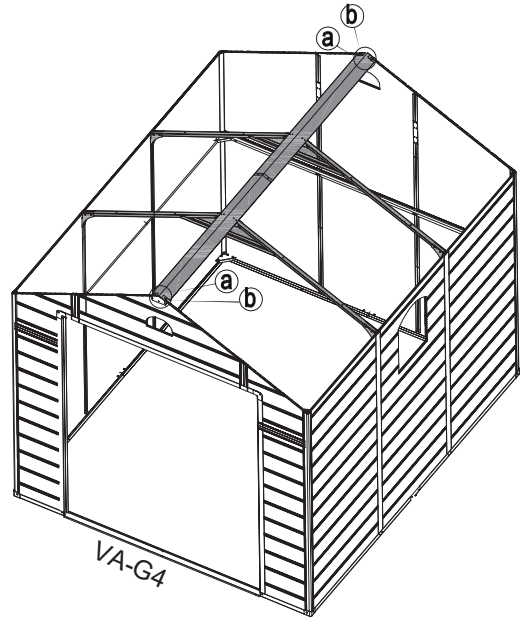
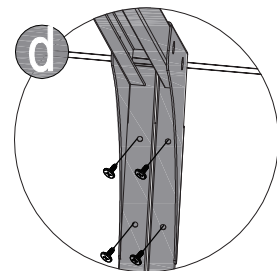
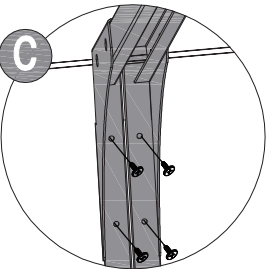
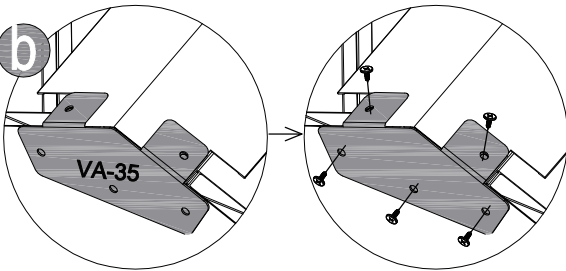
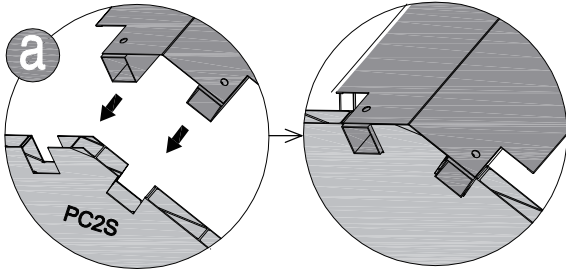
34




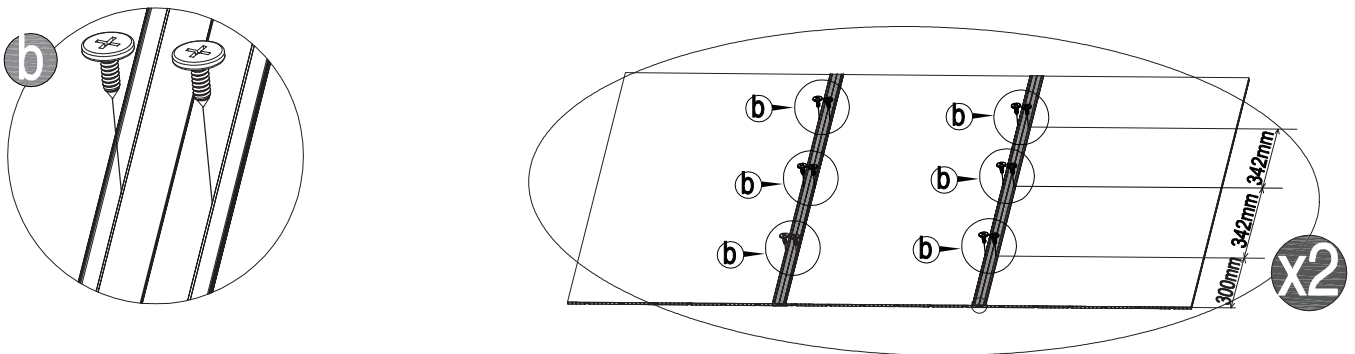
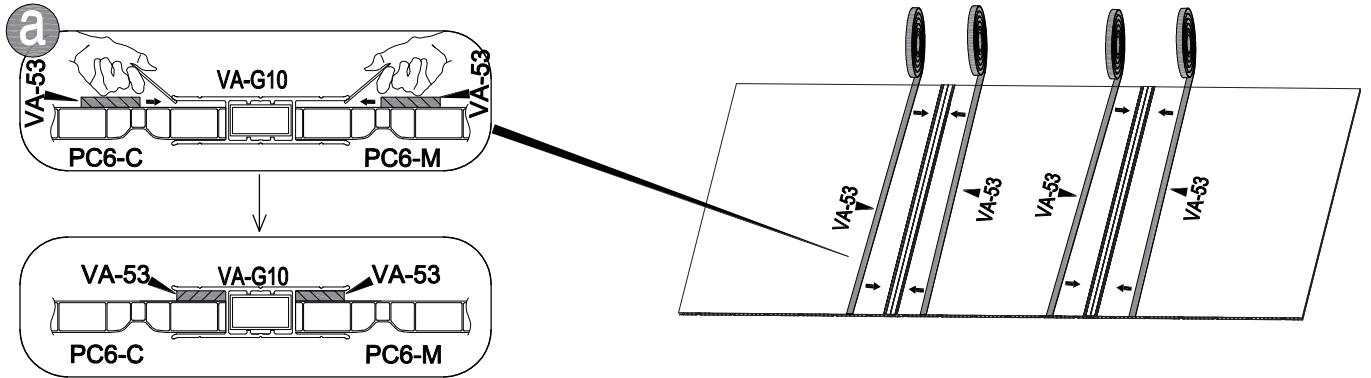
VA-35 [x2]


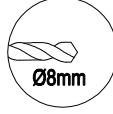


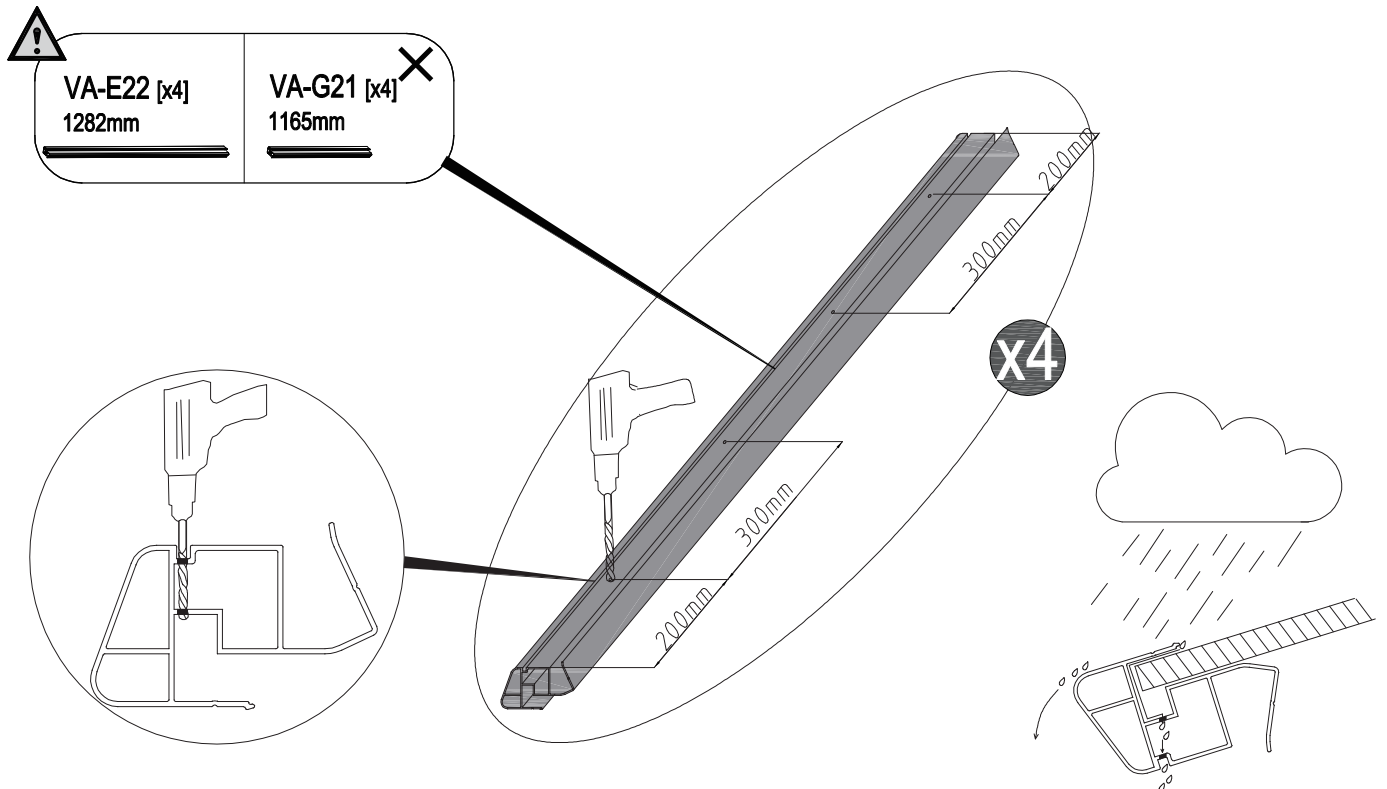
VA-H44 [x26]
13mm



36	 VA-53 [x2]	 VA-H44 [x24] 12mm		 CN-A33
----	---	---	--	---



37	 VA-E22 [x4] 1282mm	 Ø8mm		
----	--	---	--	--



38



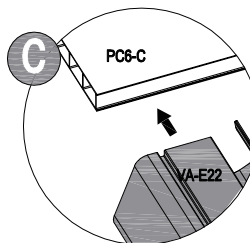
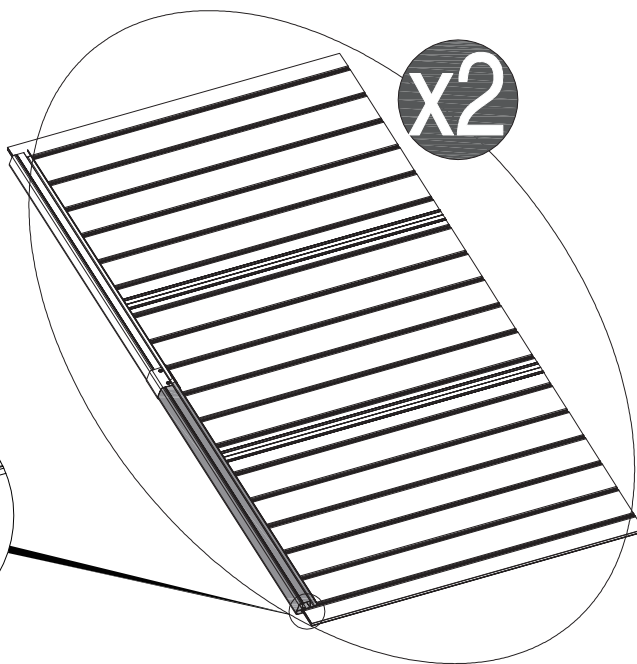
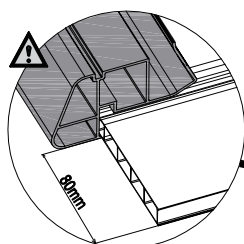
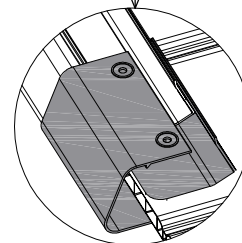
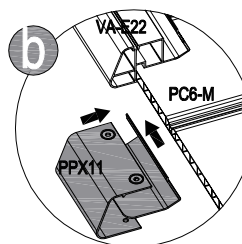
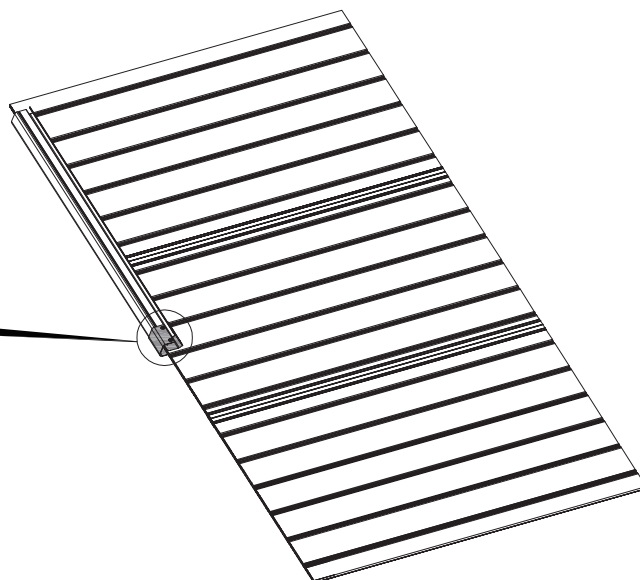
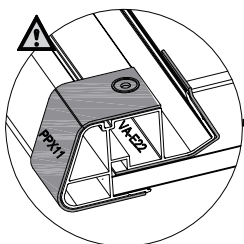
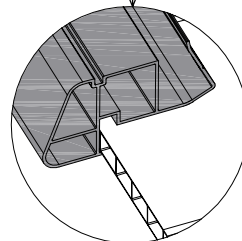
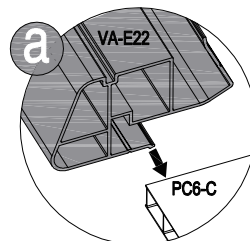
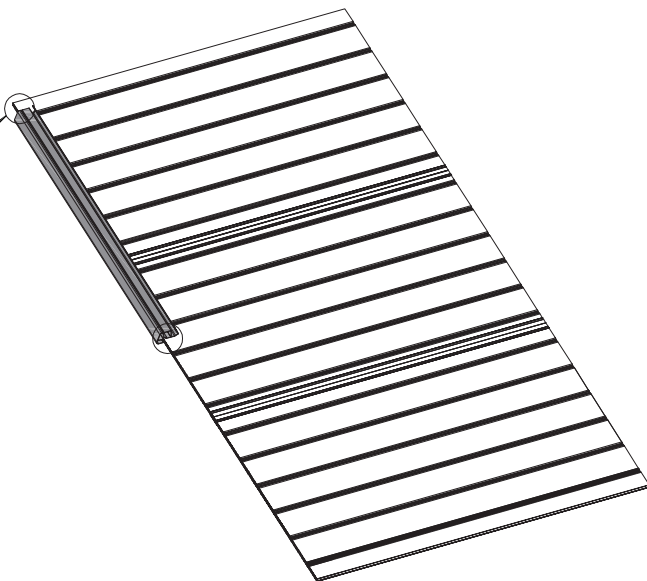
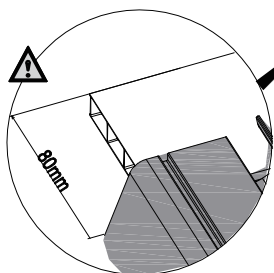
VA-E22 [x4]
1282mm








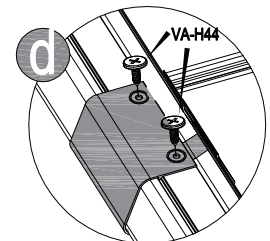
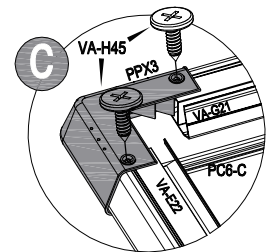
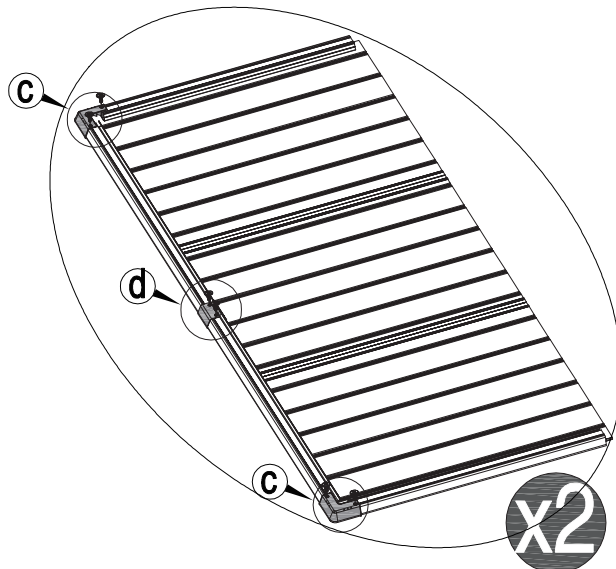
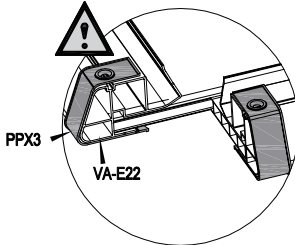
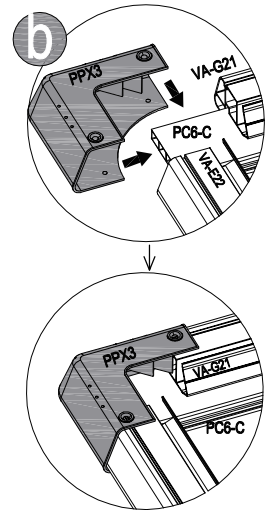
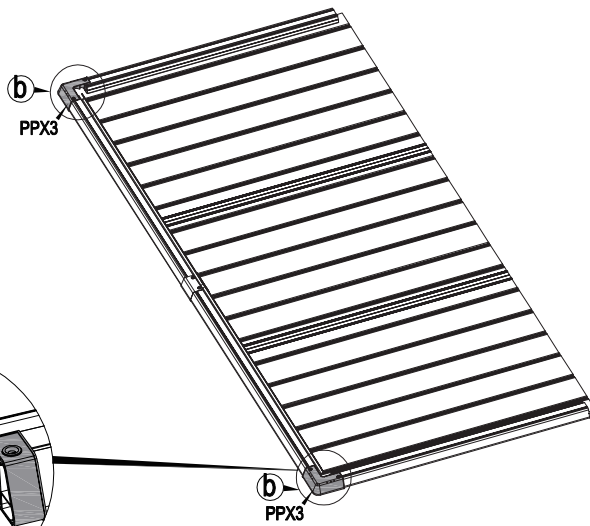
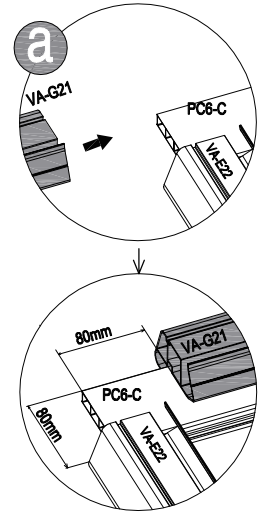
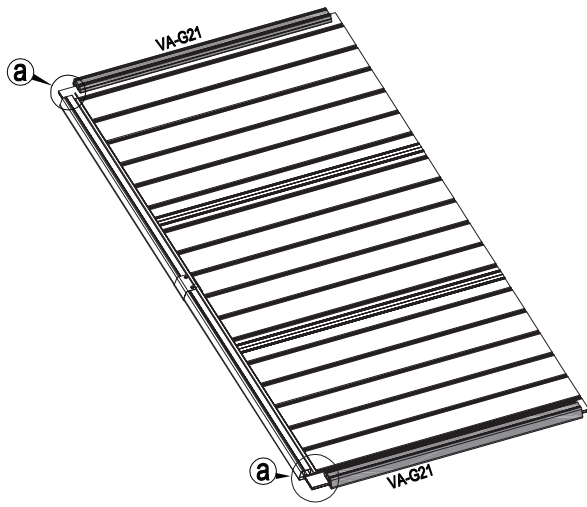
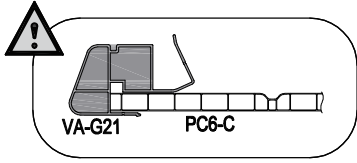
PPX11 [x2]



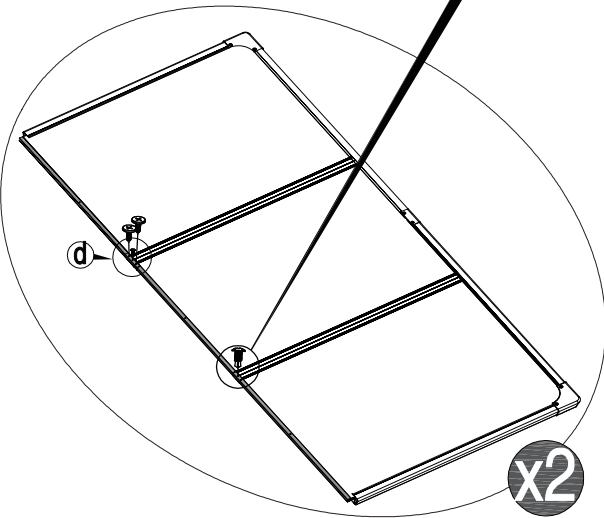
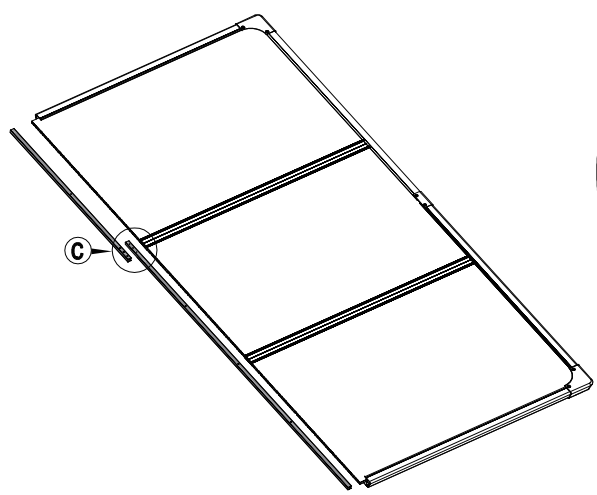
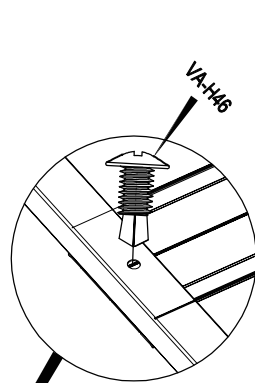
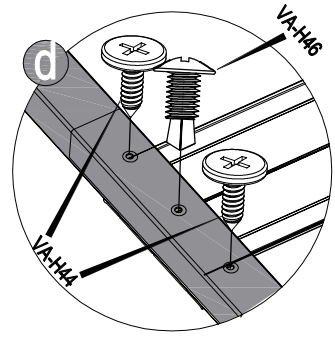
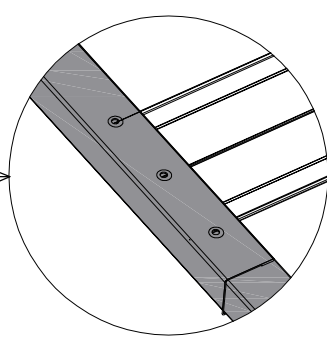
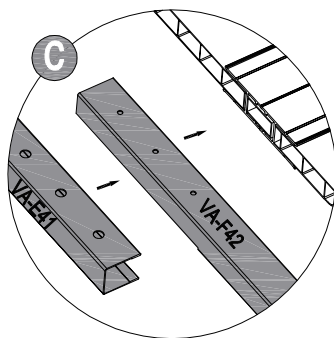
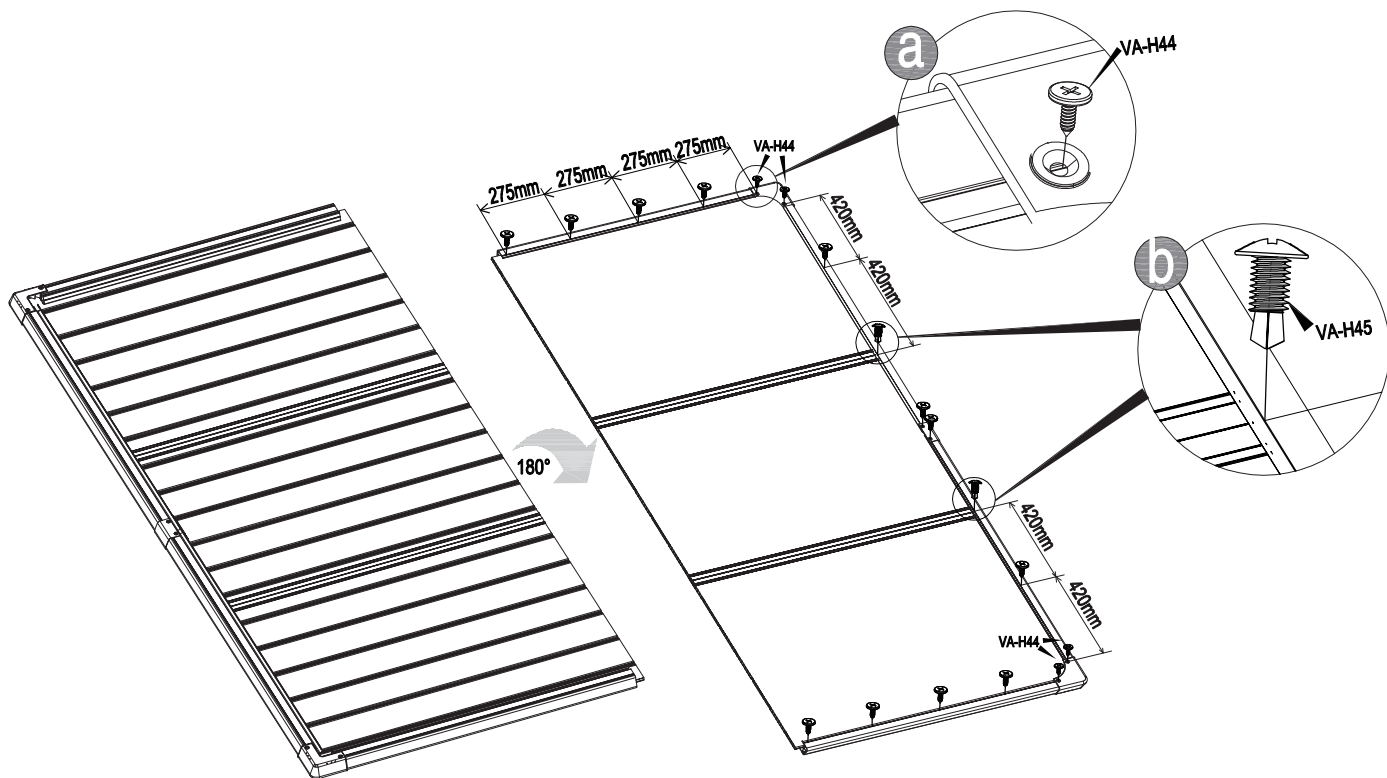
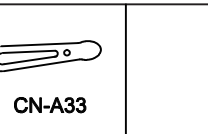
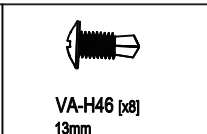
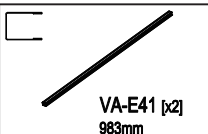
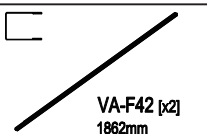
CN-A33



39	 VA-G21 [x4] 1165mm	 PPX3[x4]	 VA-H44 [x4] 13mm	 VA-H45 [x8] 19mm		 CN-A33
----	--	---	--	---	--	---



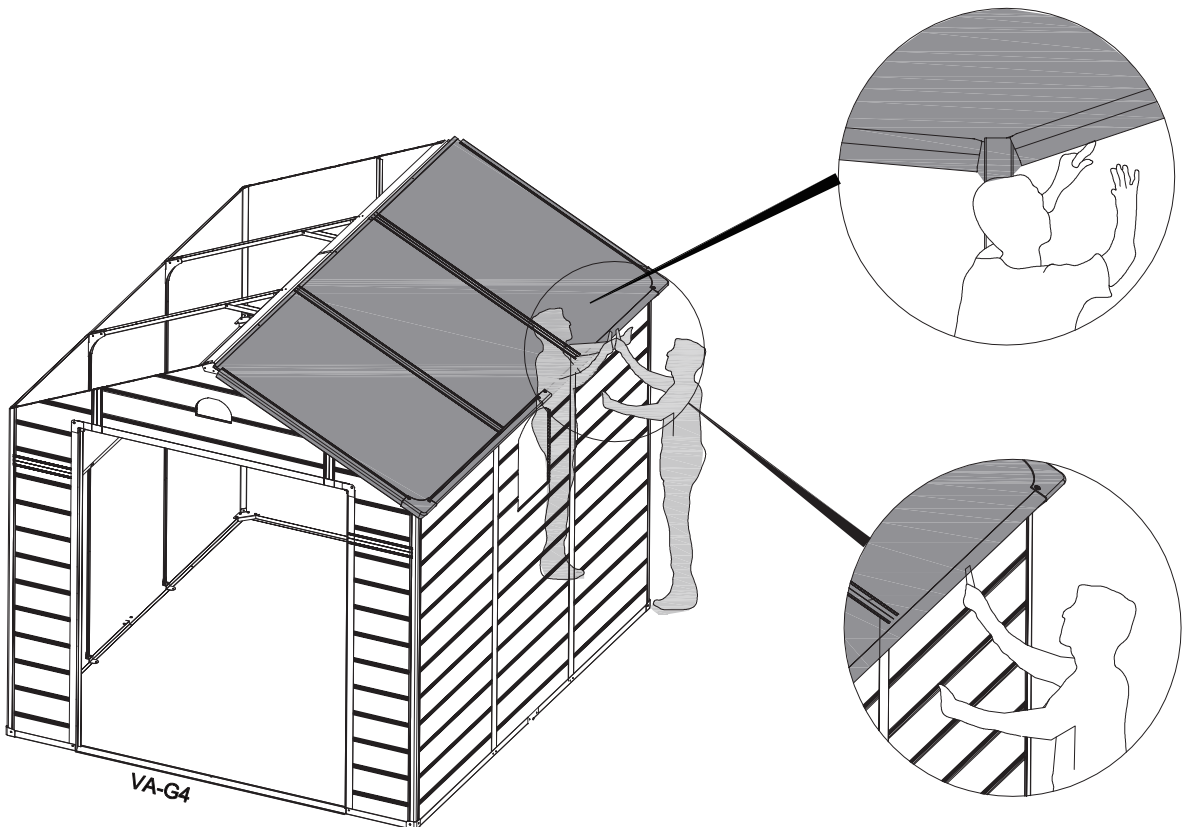
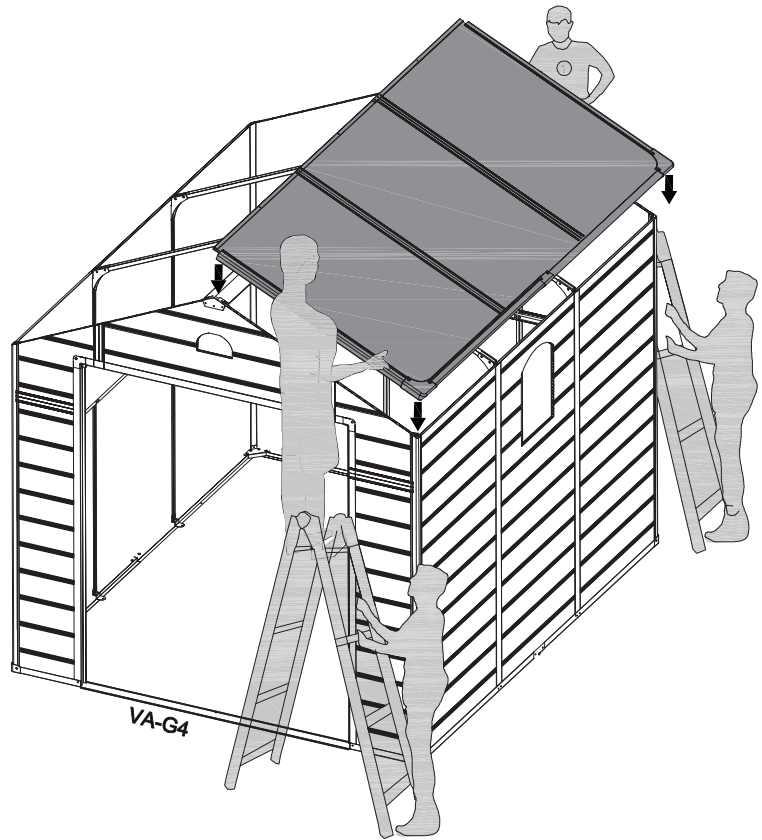
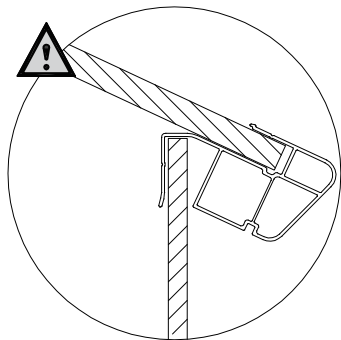
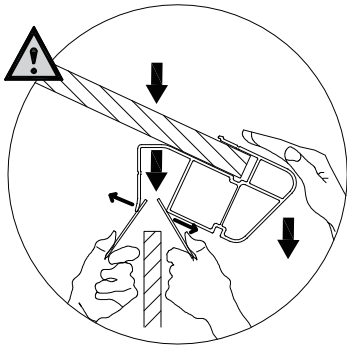
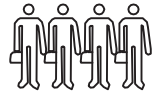
40



41



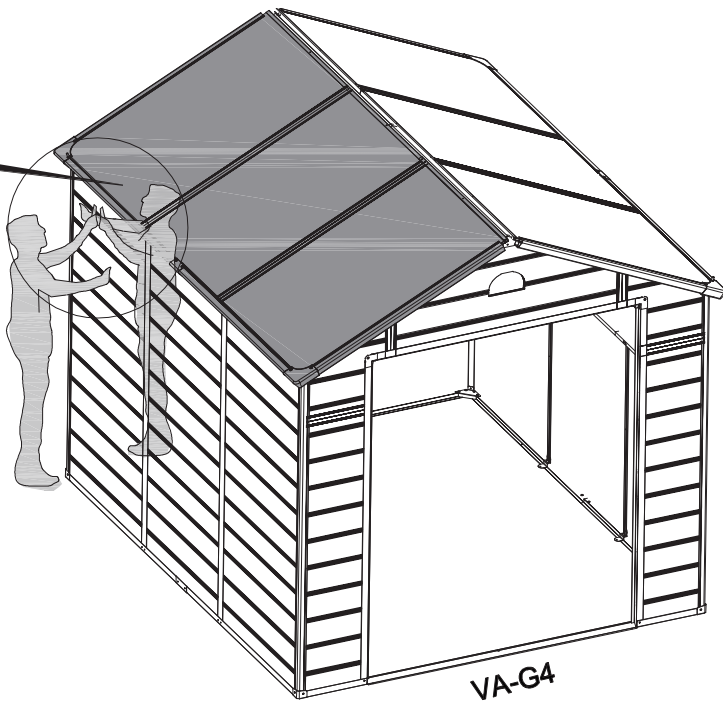
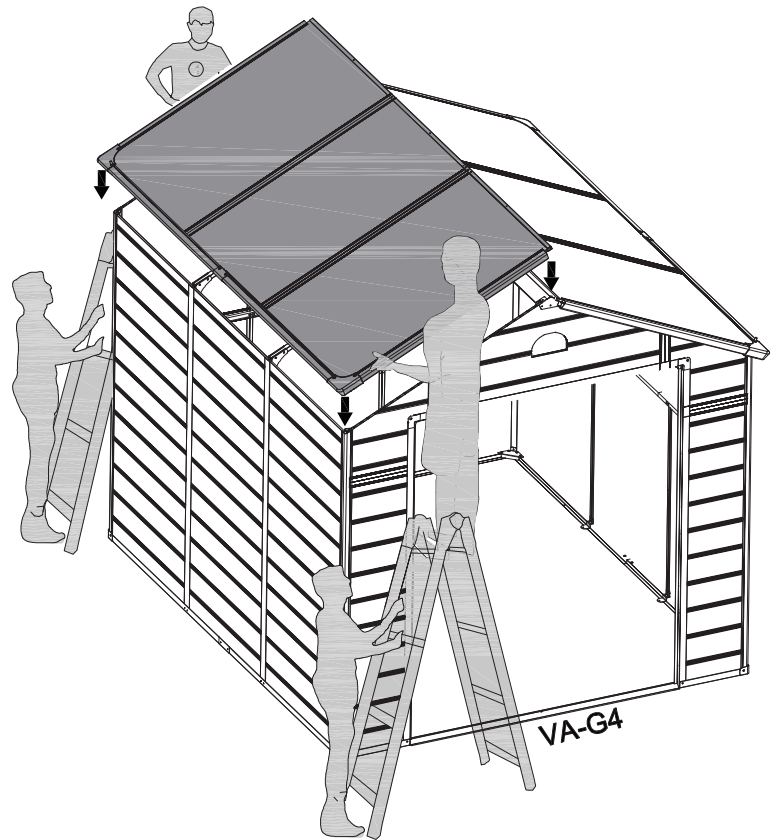
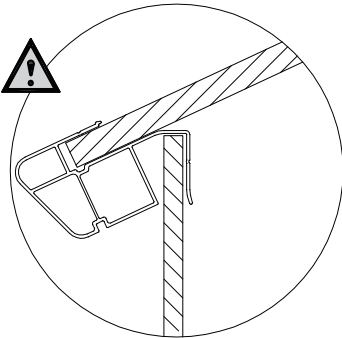
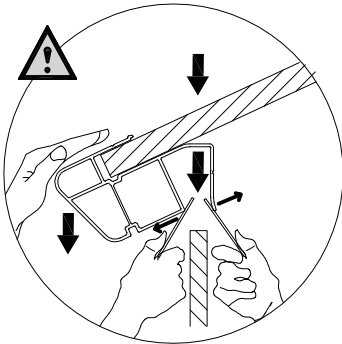
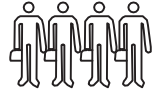
CN-A33



42



CN-A33



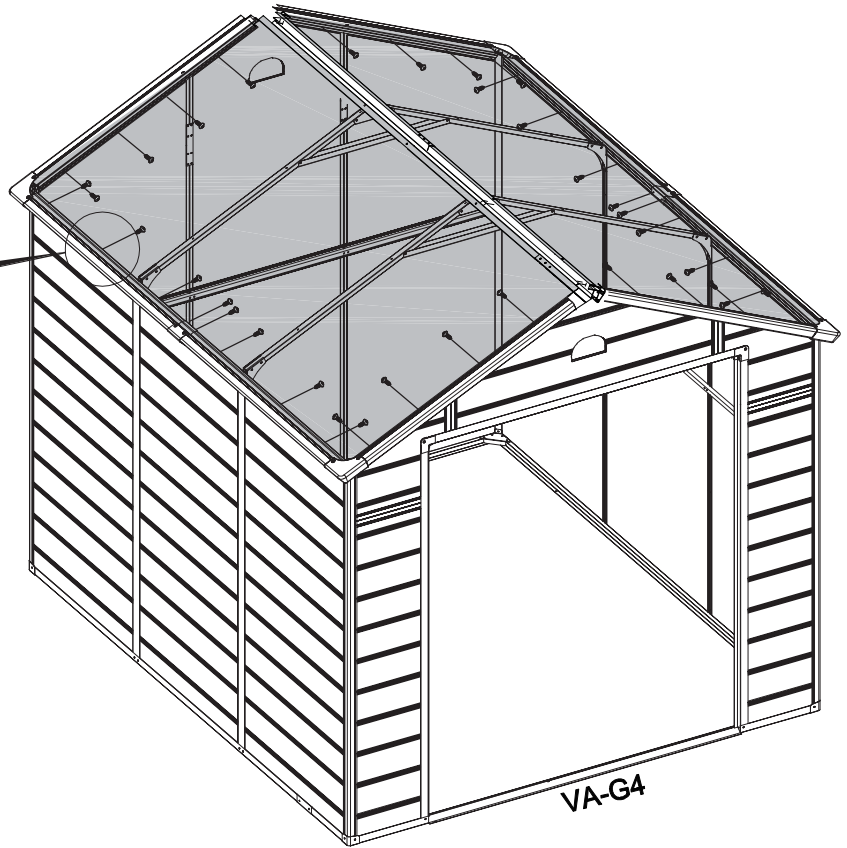
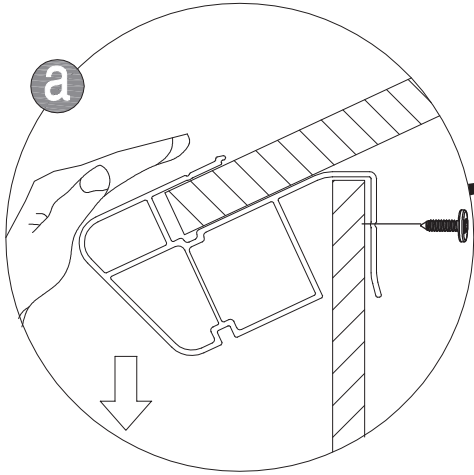
43



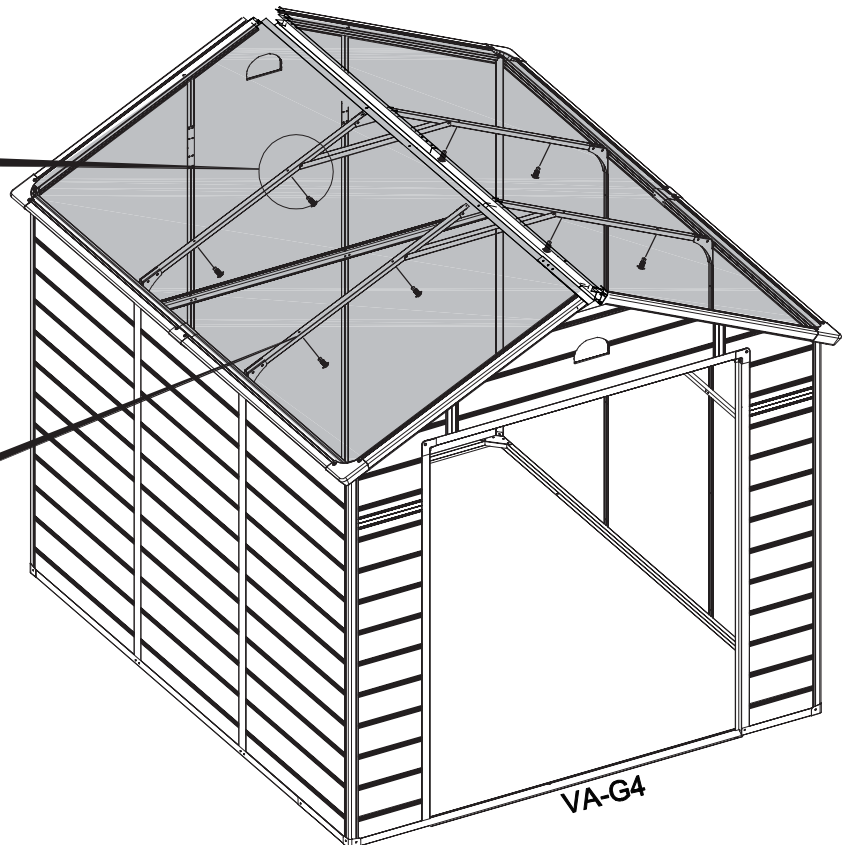
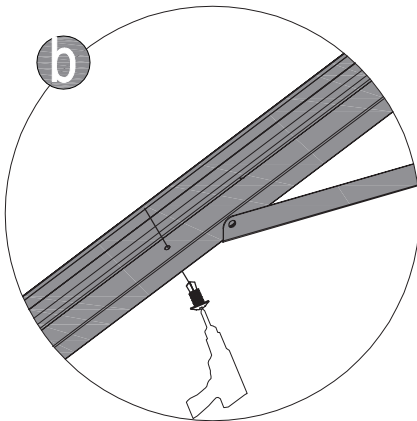
VA-H45 [x32]
19mm



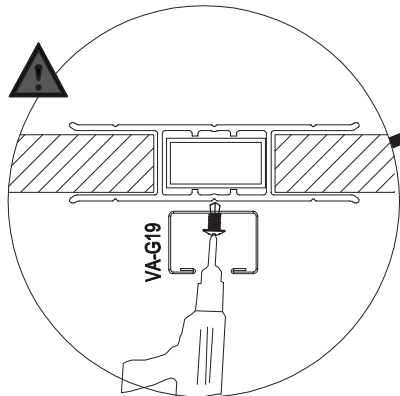
VA-H46 [x8]
13mm



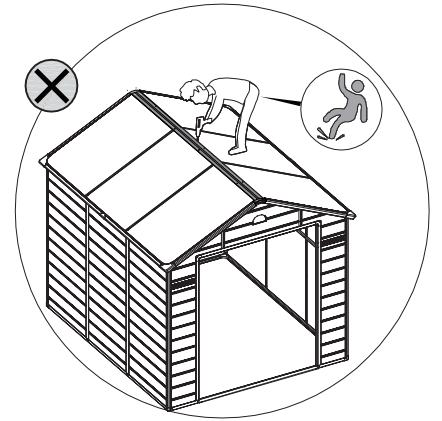
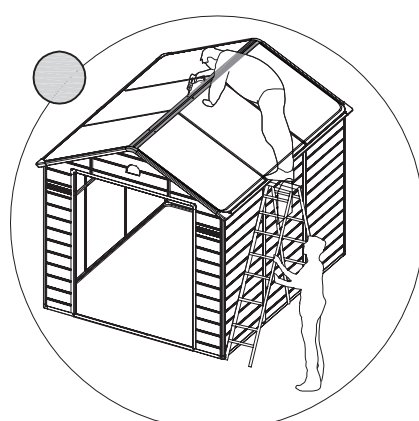
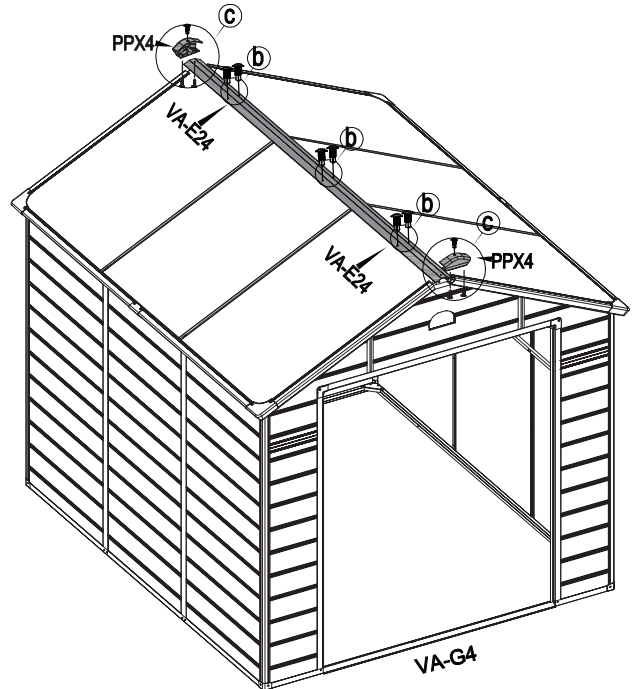
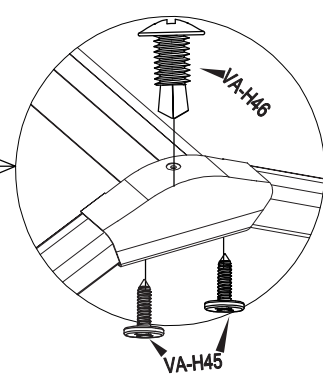
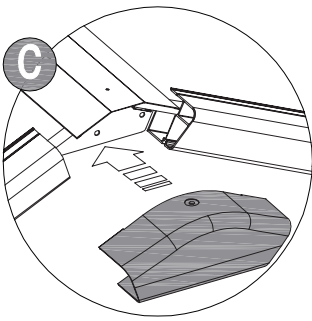
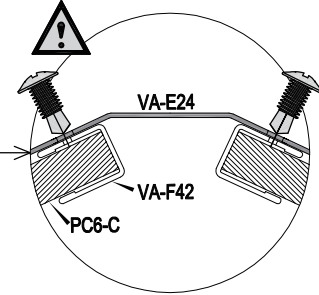
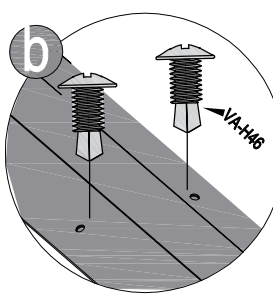
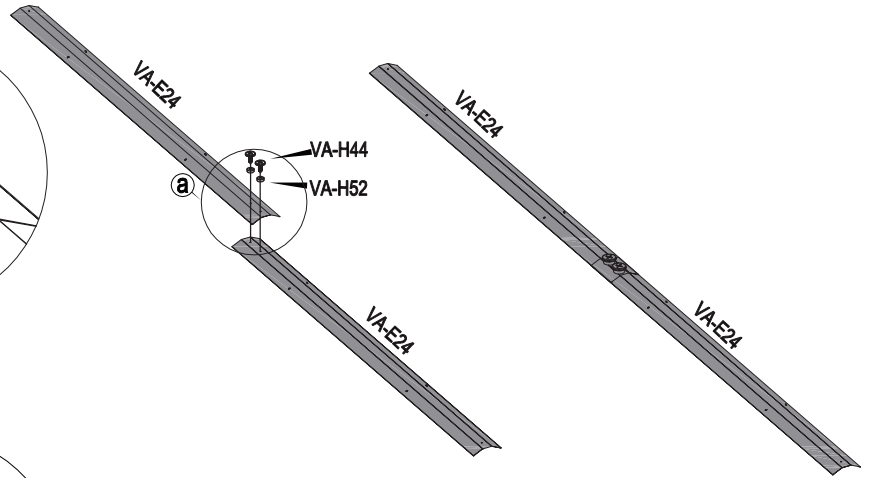
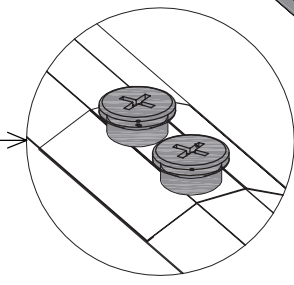
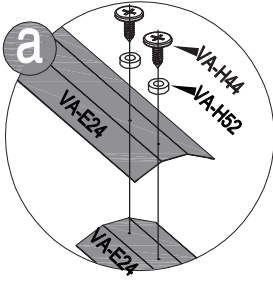
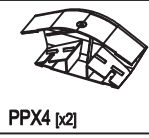
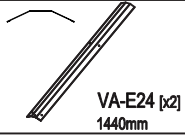
VA-G4








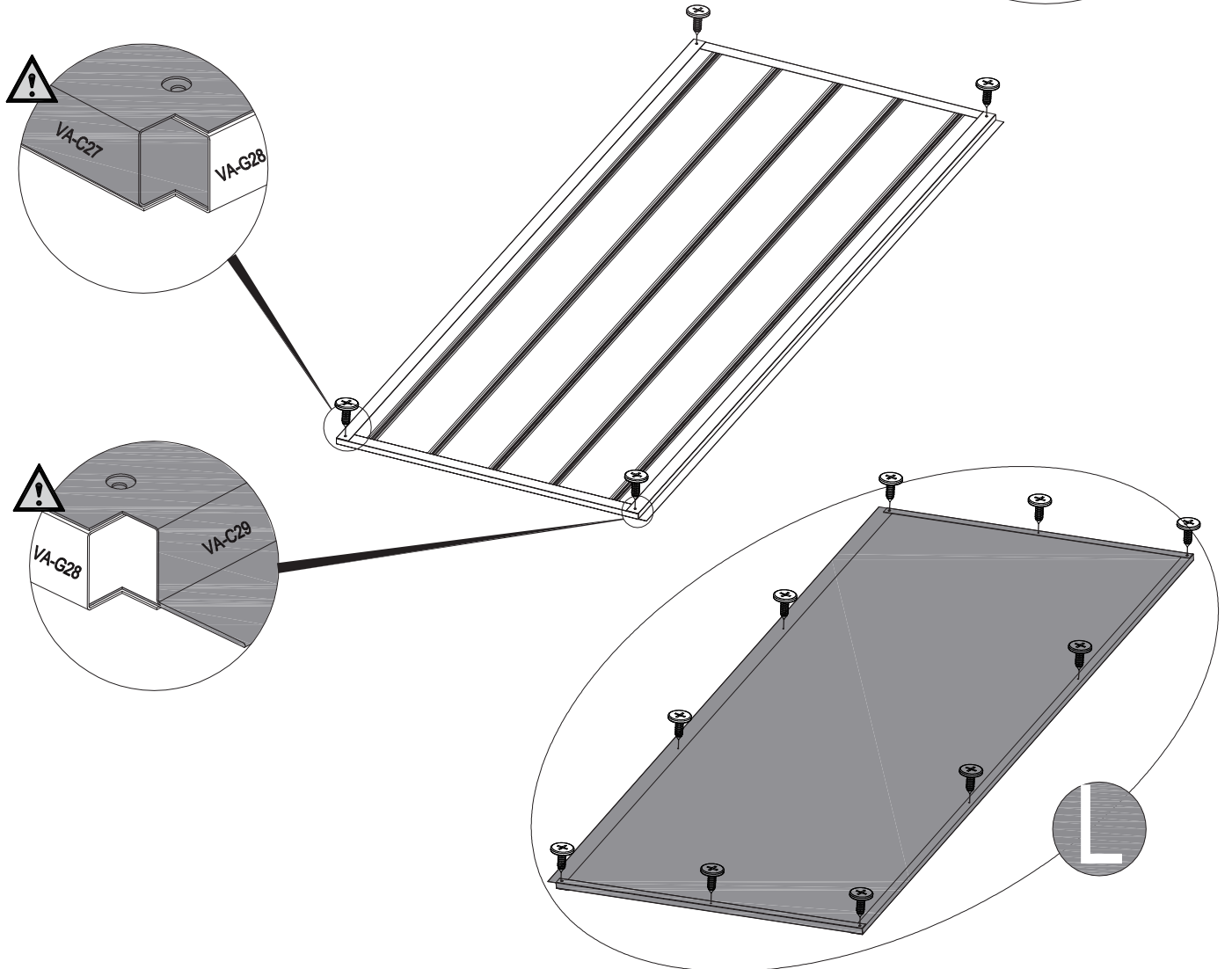
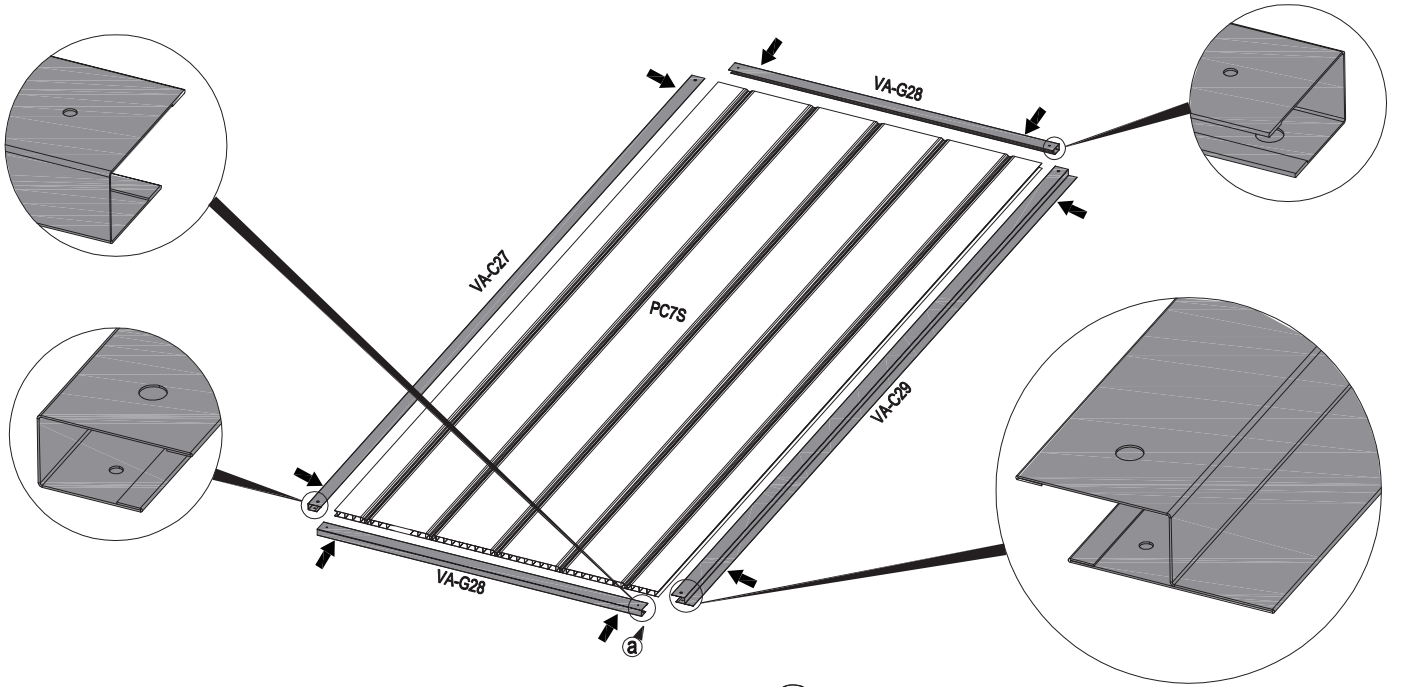
VA-G4



44



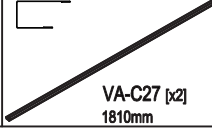
45	 PC7S [x1] 1810x746mm	 VA-C29 [x1] 1812mm	 VA-C27 [x1] 1812mm	 VA-G28 [x2] 747mm	 VA-H44 [x14] 13mm		
----	--	--	--	--	---	--	--



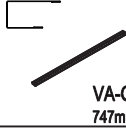
46



PC7S [x1]
1810x746mm



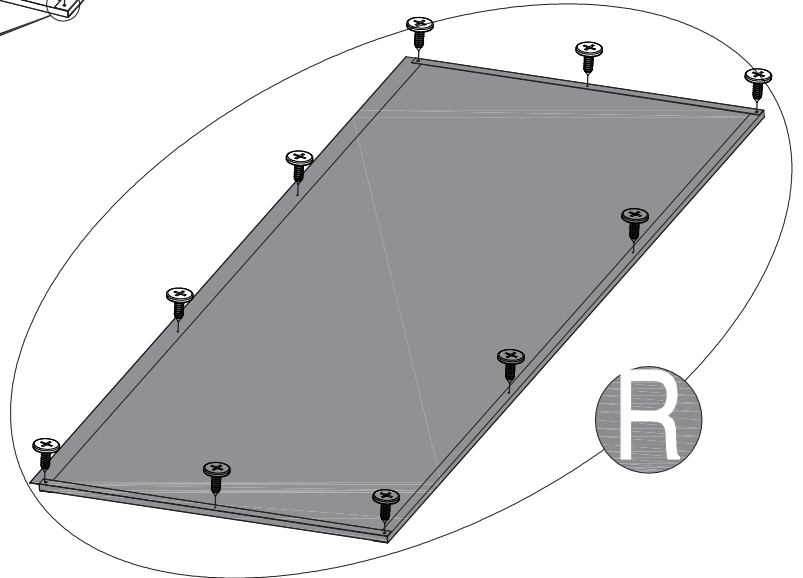
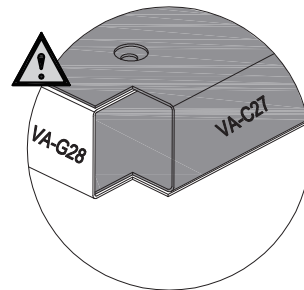
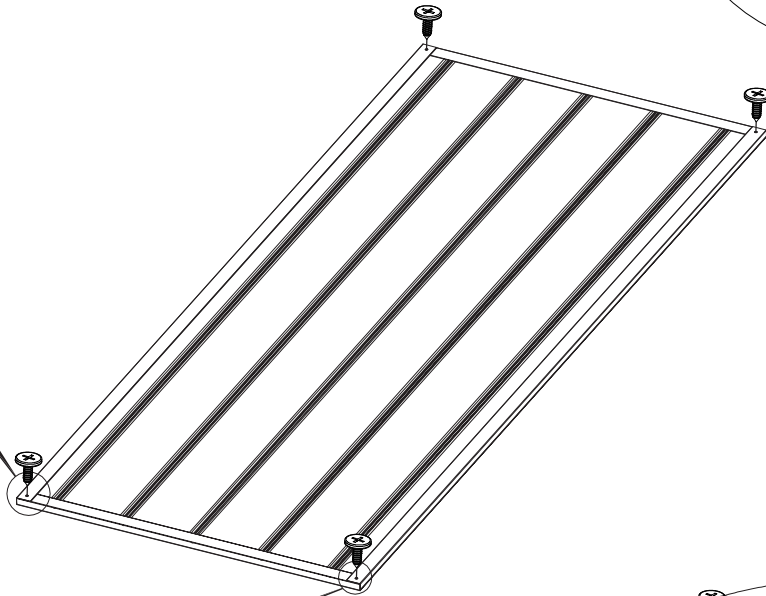
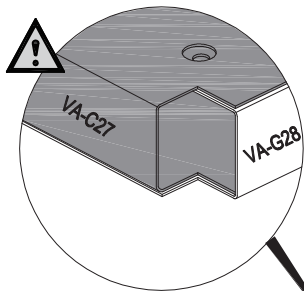
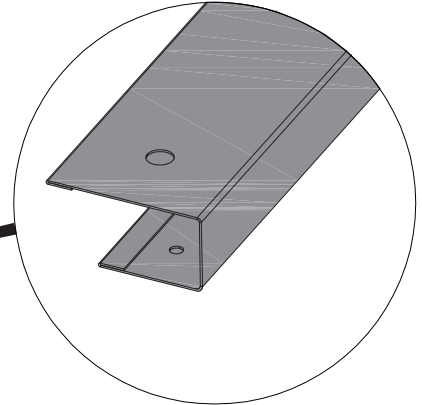
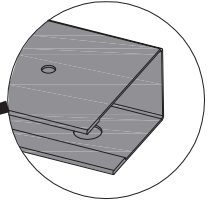
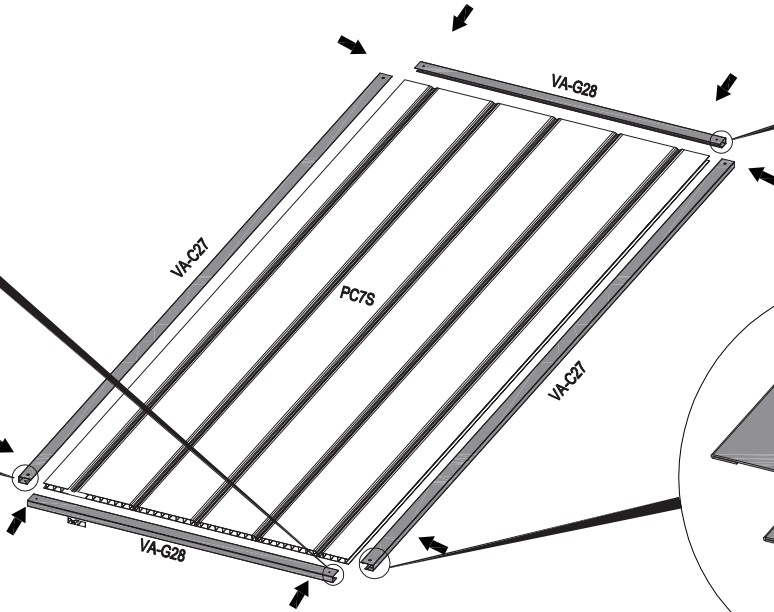
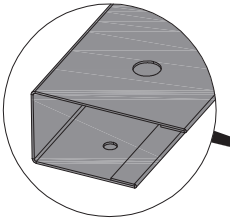
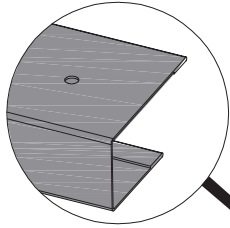
VA-C27 [x2]
1810mm



VA-G28 [x2]
747mm



VA-H44 [x14]
13mm



47



VA-41 [x4]



VA-40 [x1]



PA01 [x3]



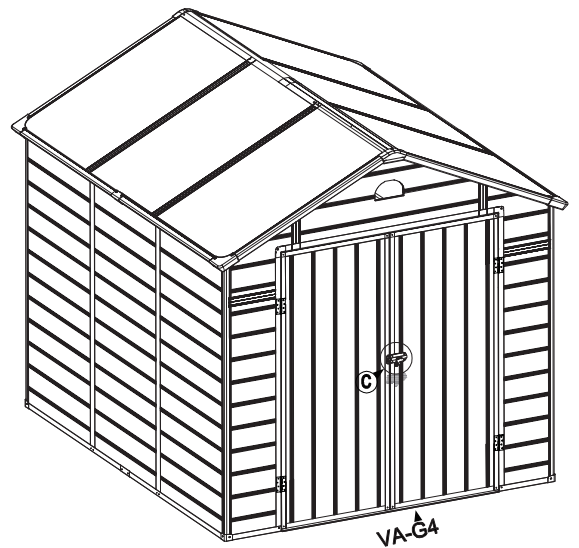
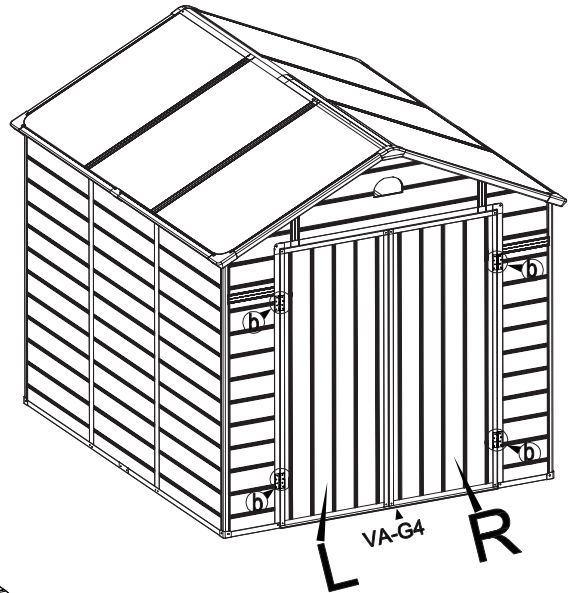
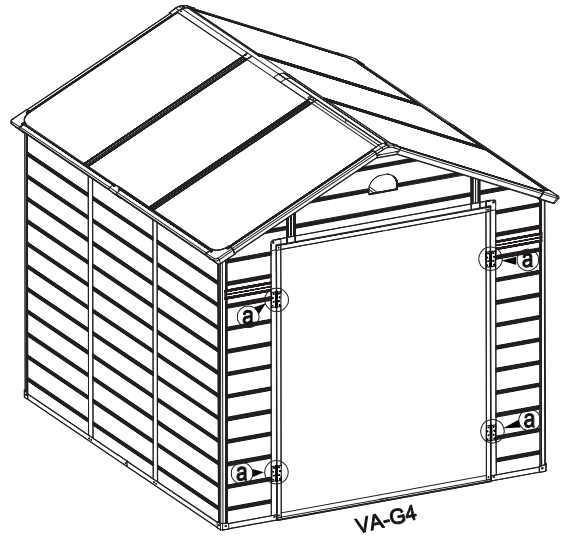
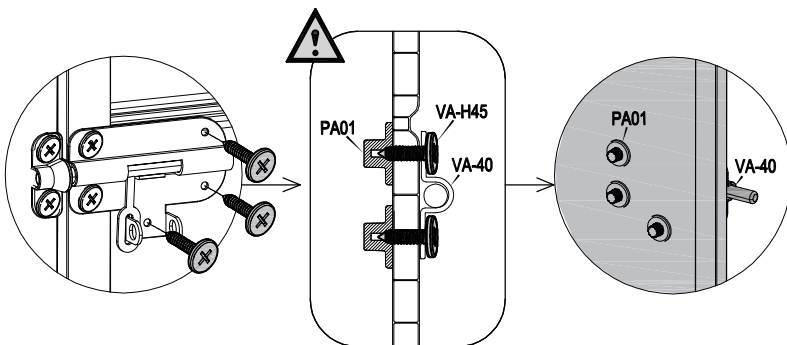
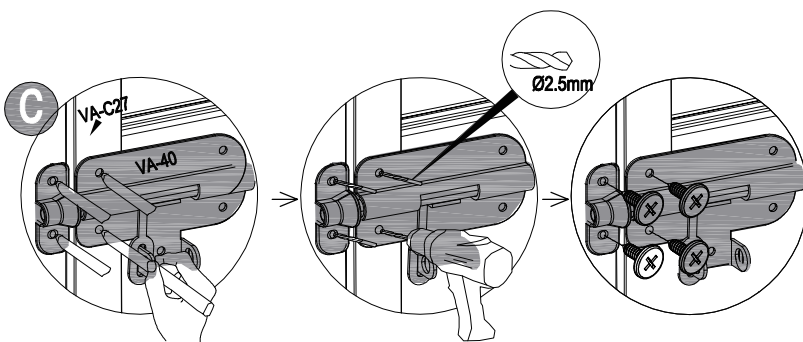
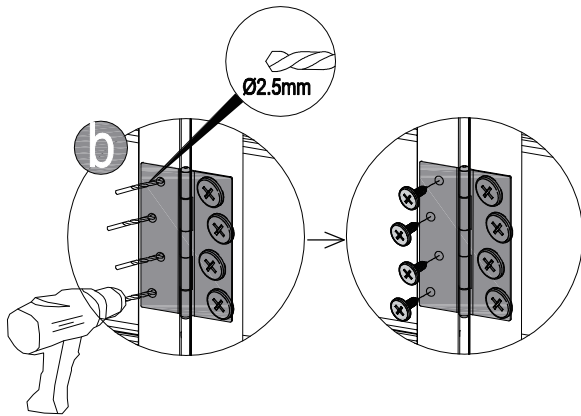
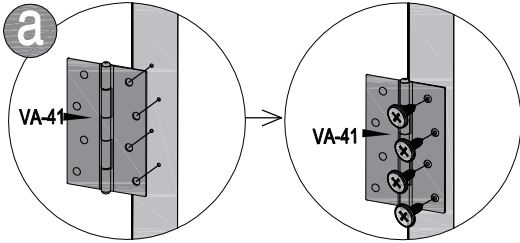
VA-H45 [x3]
19mm



VA-H44 [x36]
13mm



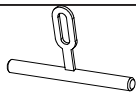
Ø2.5mm



48



VA-38a [x2]



VA-38b [x2]



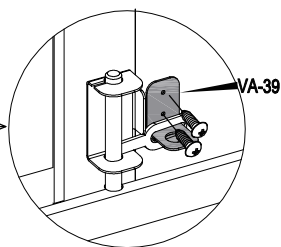
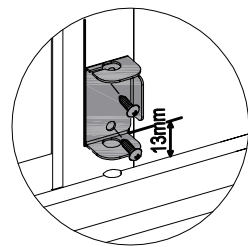
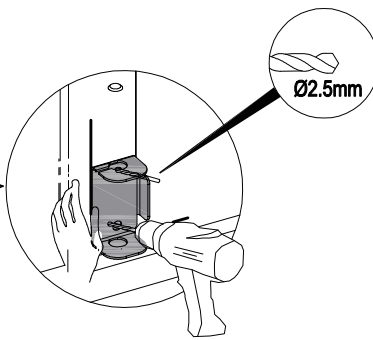
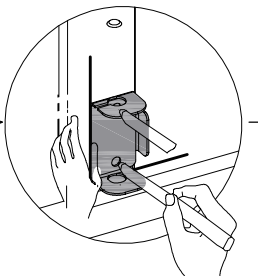
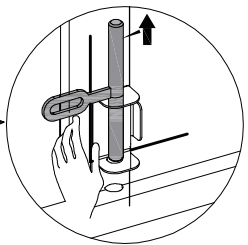
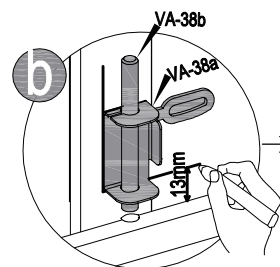
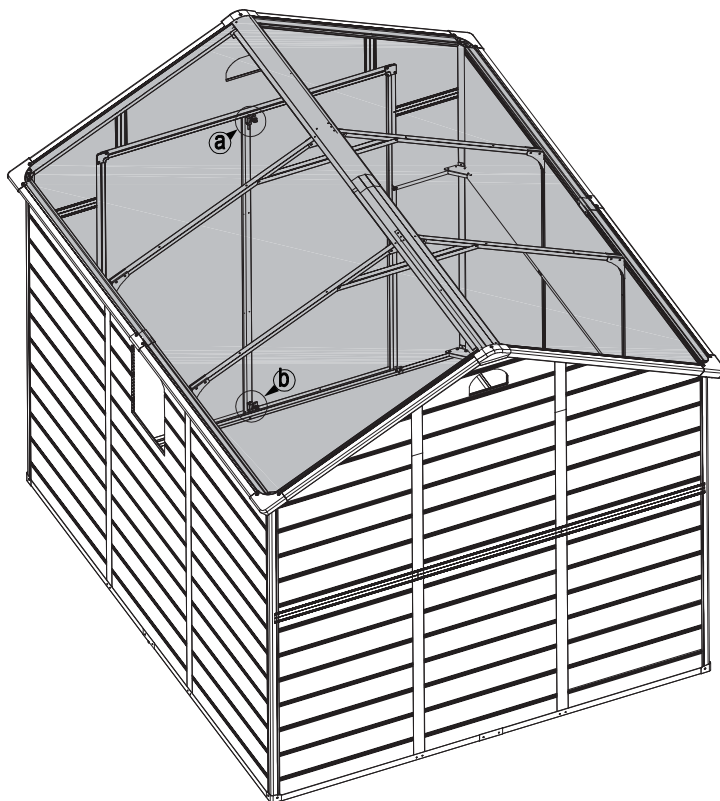
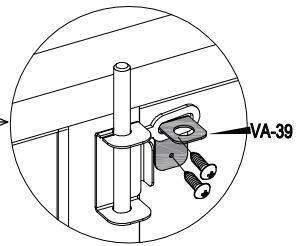
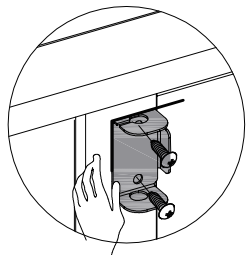
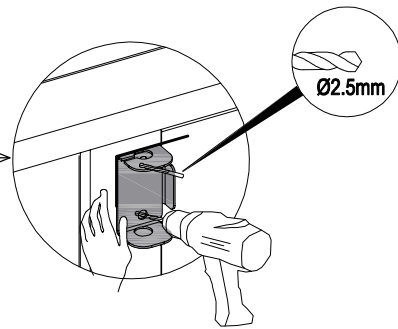
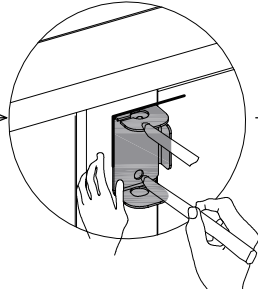
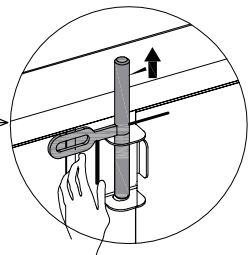
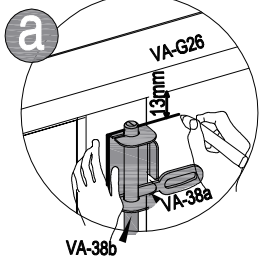
VA-39 [x2]



VA-H49 [x8]
13mm



Ø2.5mm



49



VA-36 [x2]



VA-32L [x2]



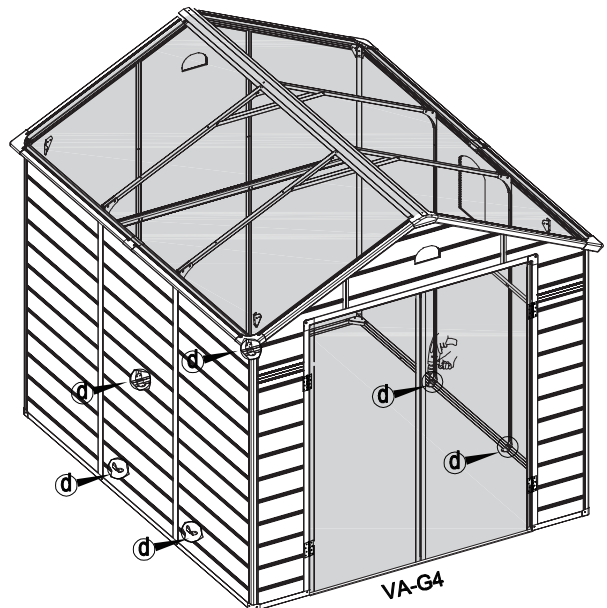
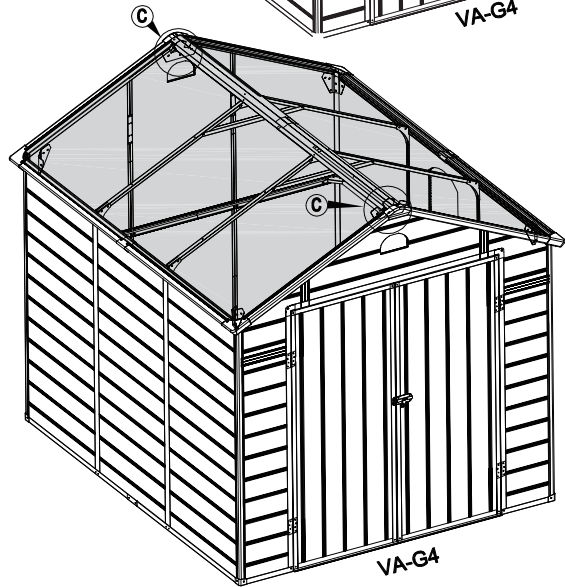
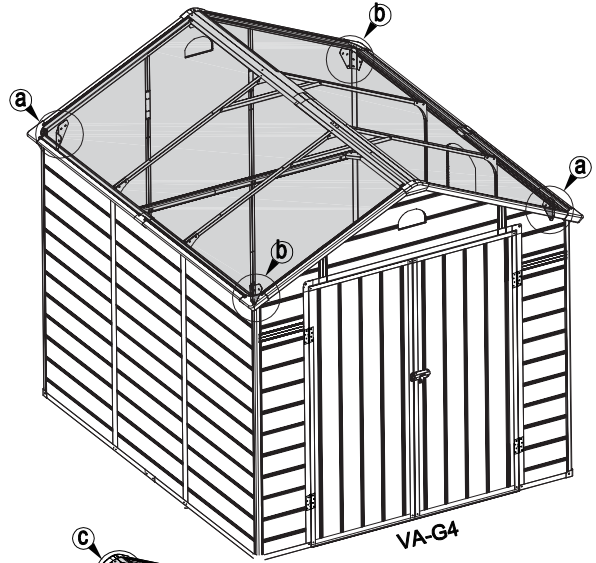
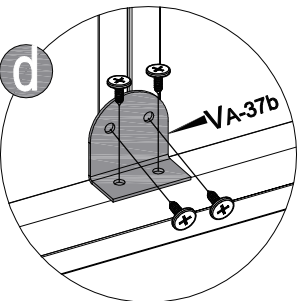
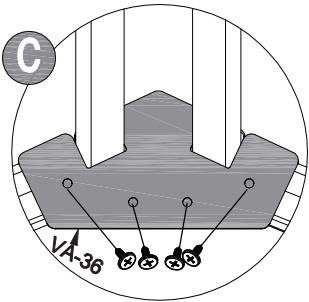
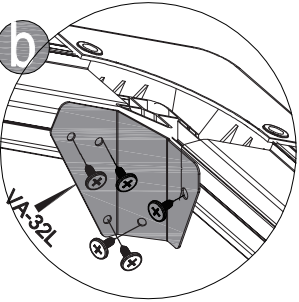
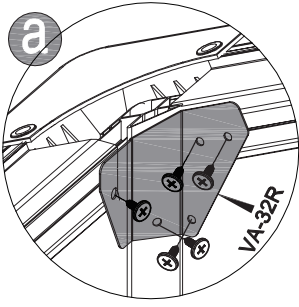
VA-32R [x2]

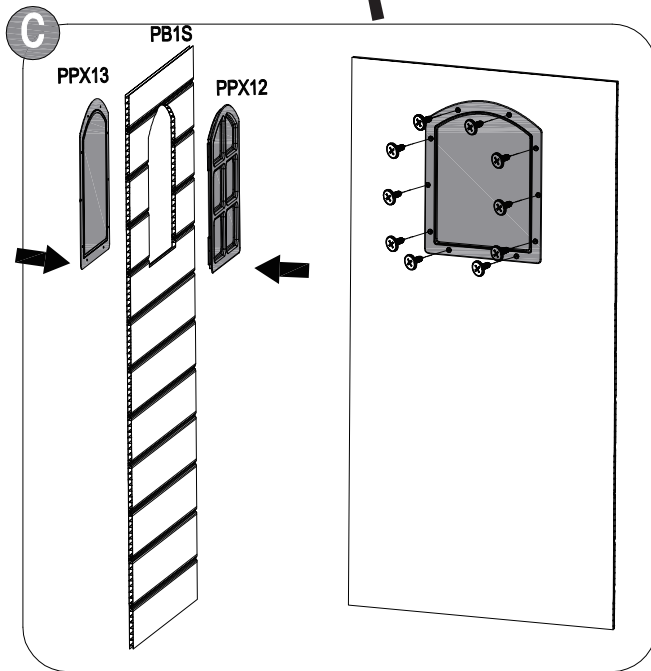
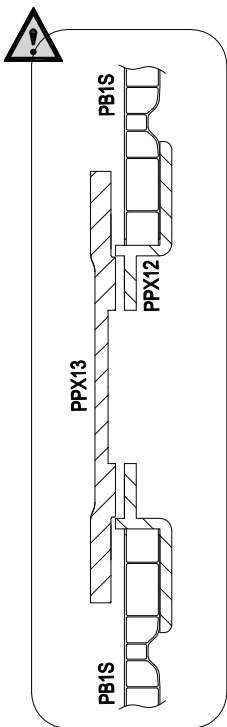
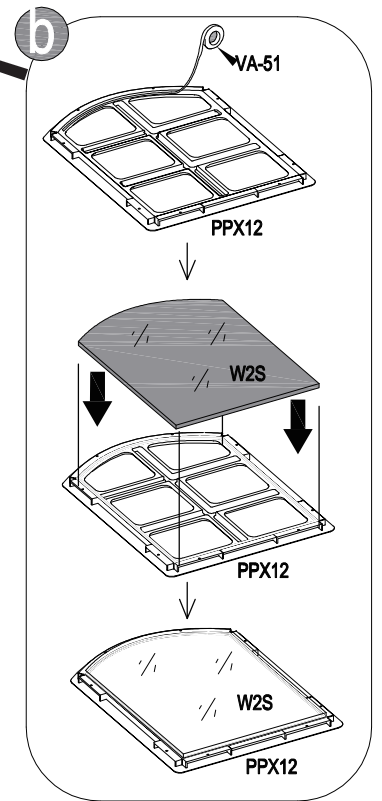
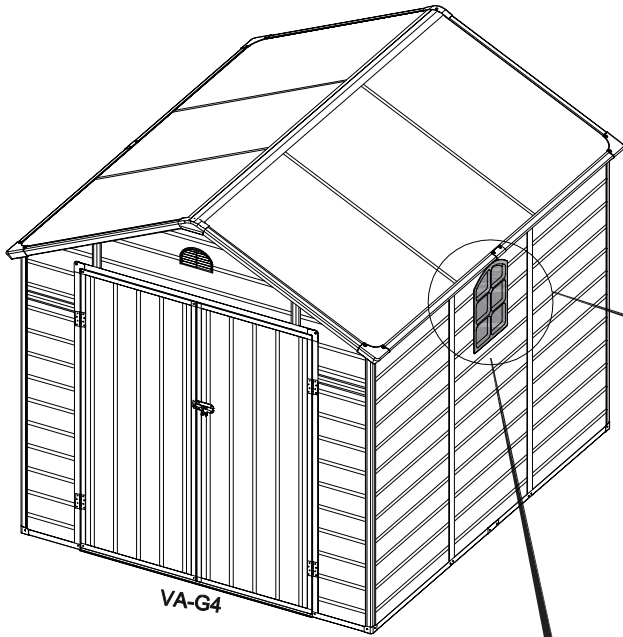
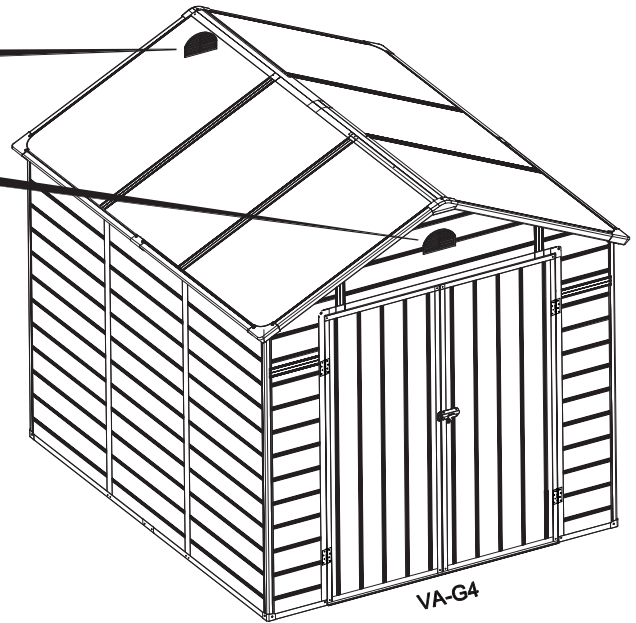
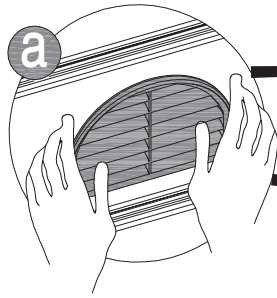
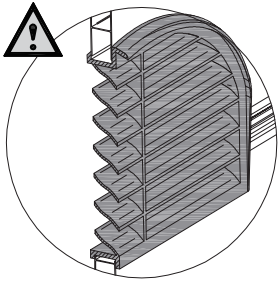
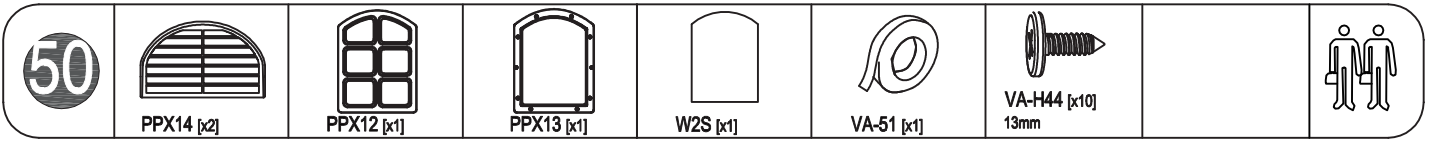


VA-37b [x6]

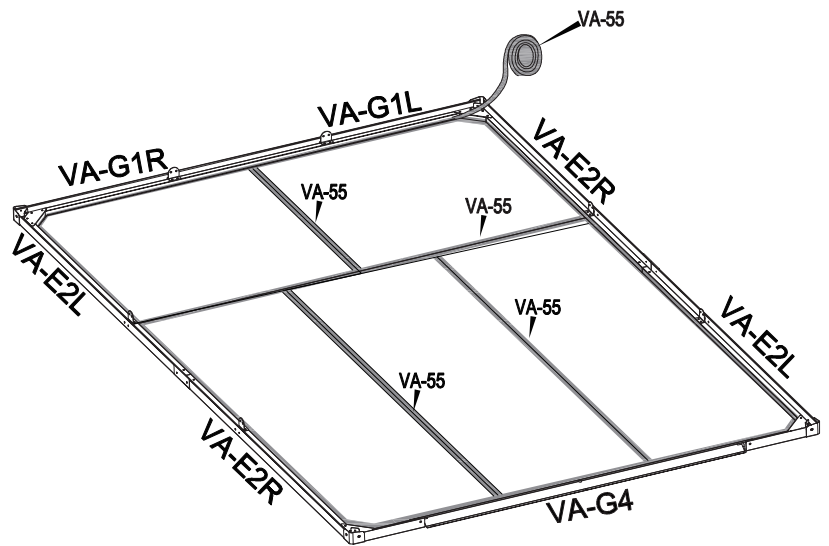
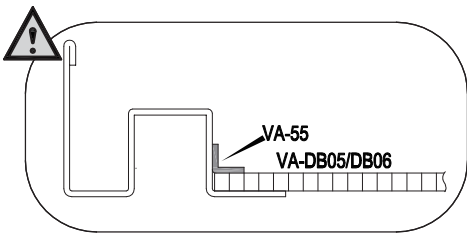
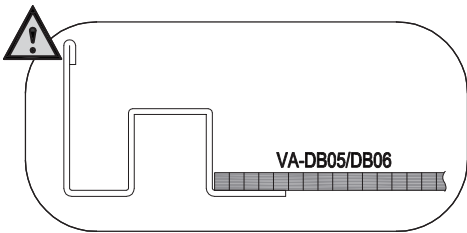
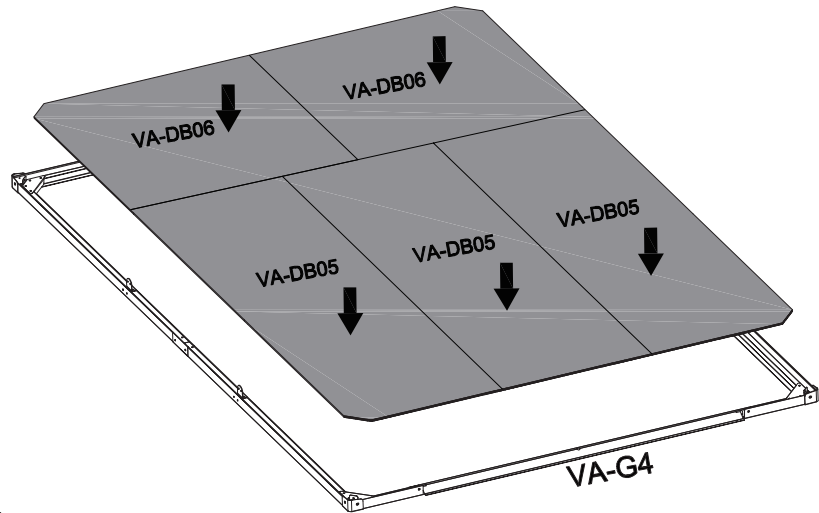
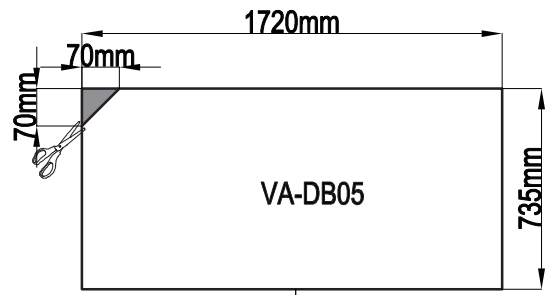
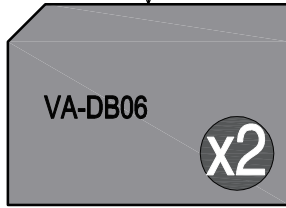
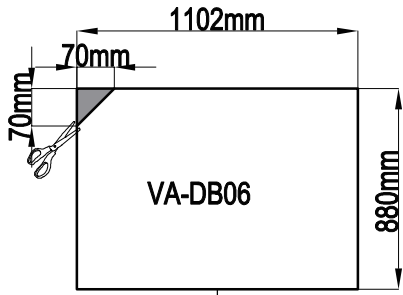


VA-H44 [x52]
13mm





51



Thank you for choosing Oakville furniture Patio Storage Shed. We take pride in delivering a high-quality product that is designed to enhance your outdoor living space and provide reliable storage solutions. To ensure your satisfaction and peace of mind, we offer the following limited warranty and important information regarding caution and maintenance. Please read this carefully.

Limited Warranty

- We stand behind the quality of our Patio Storage Shed and offer a limited warranty to the original purchaser. The warranty covers defects in materials and workmanship for a period of 3 years from the date of purchase. During this warranty period, we will repair or replace any parts or components that are found to be defective, free of charge.
- Please note that the warranty does not cover damages resulting from improper installation, misuse, abuse, neglect, accidents, or natural disasters. It also does not cover damages caused by unauthorized modifications or repairs.
- To make a warranty claim, please contact our customer service team with your proof of purchase and a detailed description of the issue. Our team will guide you through the process and ensure a prompt resolution.

E-mail: marketing2@oakvillefurnitures.com

Call Toll Free: 1-(888)-682-8882

15257 Don Julian Road, City of industry 91745, U.S.A.

Important Information

- **Cautious Handling:** When assembling or moving the Patio Storage Shed, please exercise caution and follow the provided instructions carefully. Seek assistance if needed, as the shed's components can be heavy. Take care to avoid personal injury and property damage during the installation process.
- **Proper Anchoring:** It is essential to properly anchor the Patio Storage Shed to the ground or a suitable foundation. This will ensure stability and prevent damage caused by strong winds or extreme weather conditions. Use the recommended anchoring hardware and follow the instructions provided.
- **Regular Maintenance:** To keep your Patio Storage Shed in optimal condition, we recommend regular maintenance. Clean the shed periodically using mild soap and water, and avoid using abrasive cleaners or solvents that may damage the materials. Inspect the shed for any signs of wear, loose fittings, or damage, and address them promptly to prevent further issues.
- **Snow Removal:** In areas with heavy snowfall, it is important to remove snow from the roof of the shed to prevent excessive weight and potential collapse. Use a soft-bristle brush or a snow rake to carefully remove snow buildup, avoiding any damage to the shed's surface.
- **Ventilation and Moisture Control:** Our Patio Storage Shed is designed with built-in ventilation to ensure proper air circulation. However, it is advisable to periodically check for any moisture buildup inside the shed. Keep the vents clear and address any condensation issues promptly to prevent damage to stored items.
- **Safety and Security:** The Patio Storage Shed features lockable doors for added security. We recommend utilizing the locking mechanism to safeguard your belongings. Additionally, ensure that the shed is placed in a secure location within your property to deter unauthorized access.

Please retain your proof of purchase and warranty information for future reference.

For any questions, concerns, or warranty claims, please contact our customer service team. We are here to assist you and provide the necessary support.

Thank you once again for choosing our Patio Storage Shed. We hope it brings you years of reliable storage and enjoyment for your outdoor space.