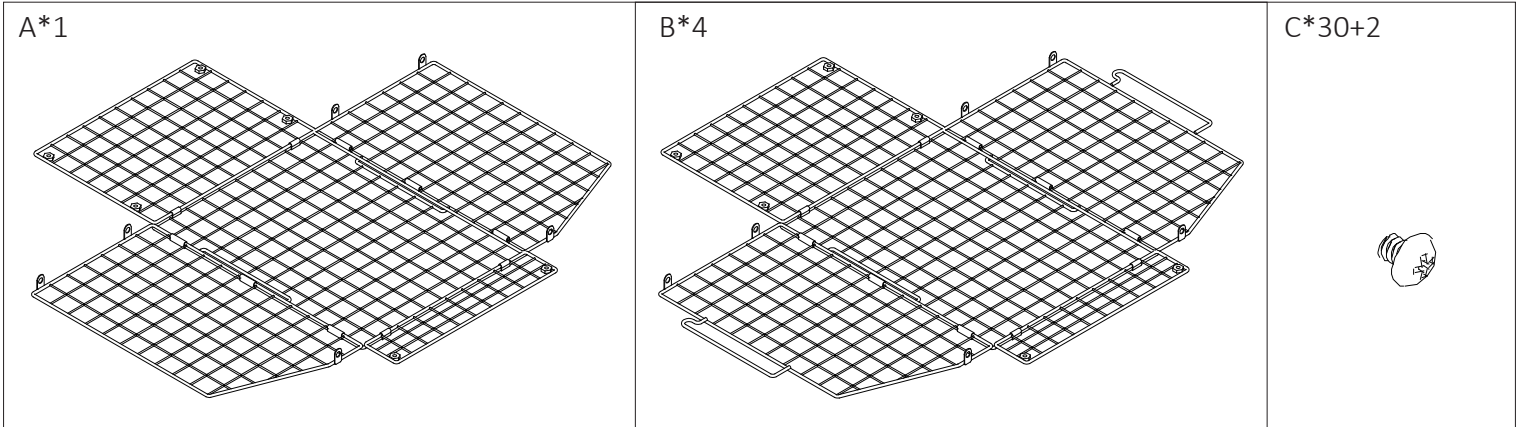


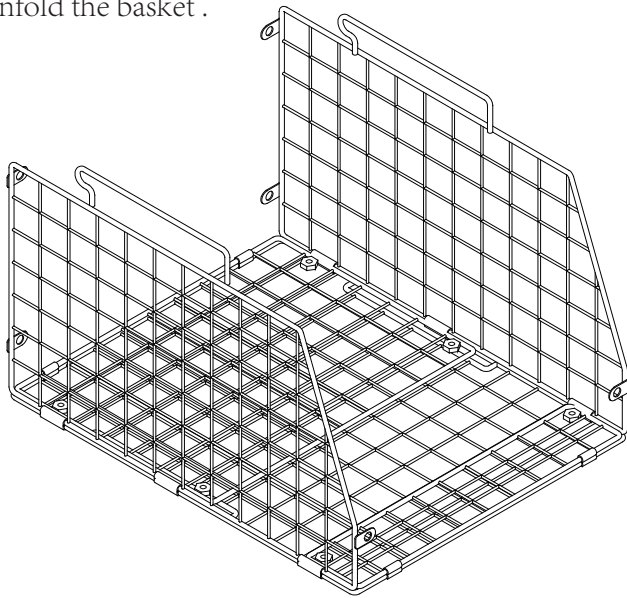
Assembly instructions

Parts included:

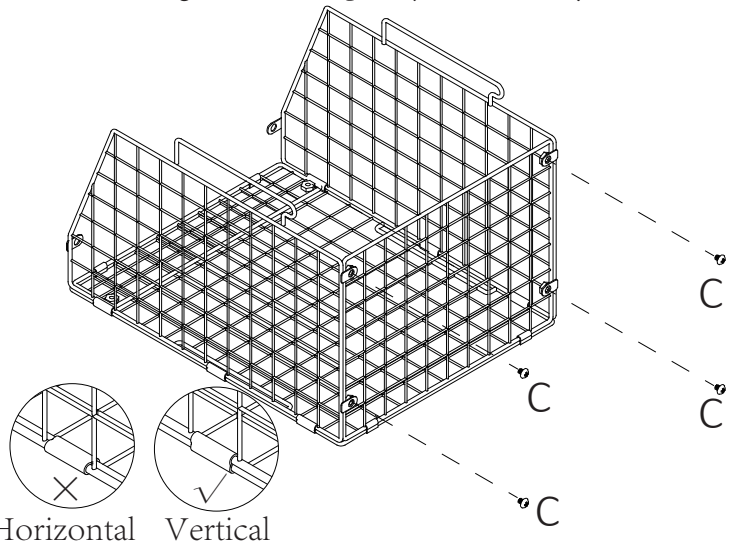


Installation steps

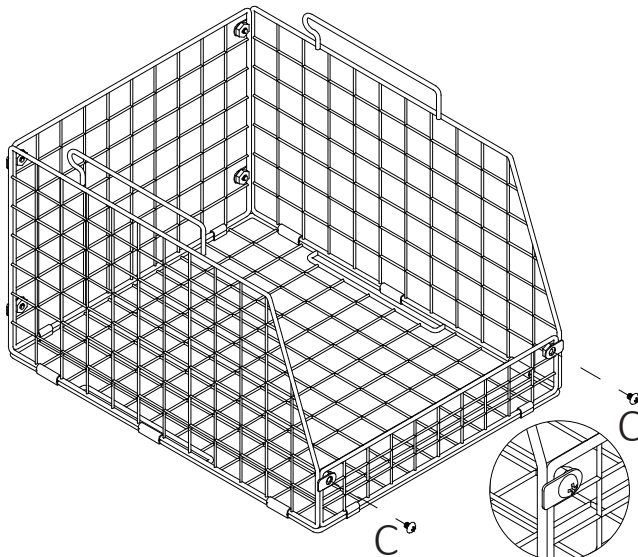
1. Unfold the basket .



2. Install the screws C on the back of the basket to connect the left and right sides .Keep the joint vertically.



3. Install the screws C on the front of the basket.



4. The installation steps for the five baskets are the same.
Stack five baskets together.
Each basket can be used alone.

