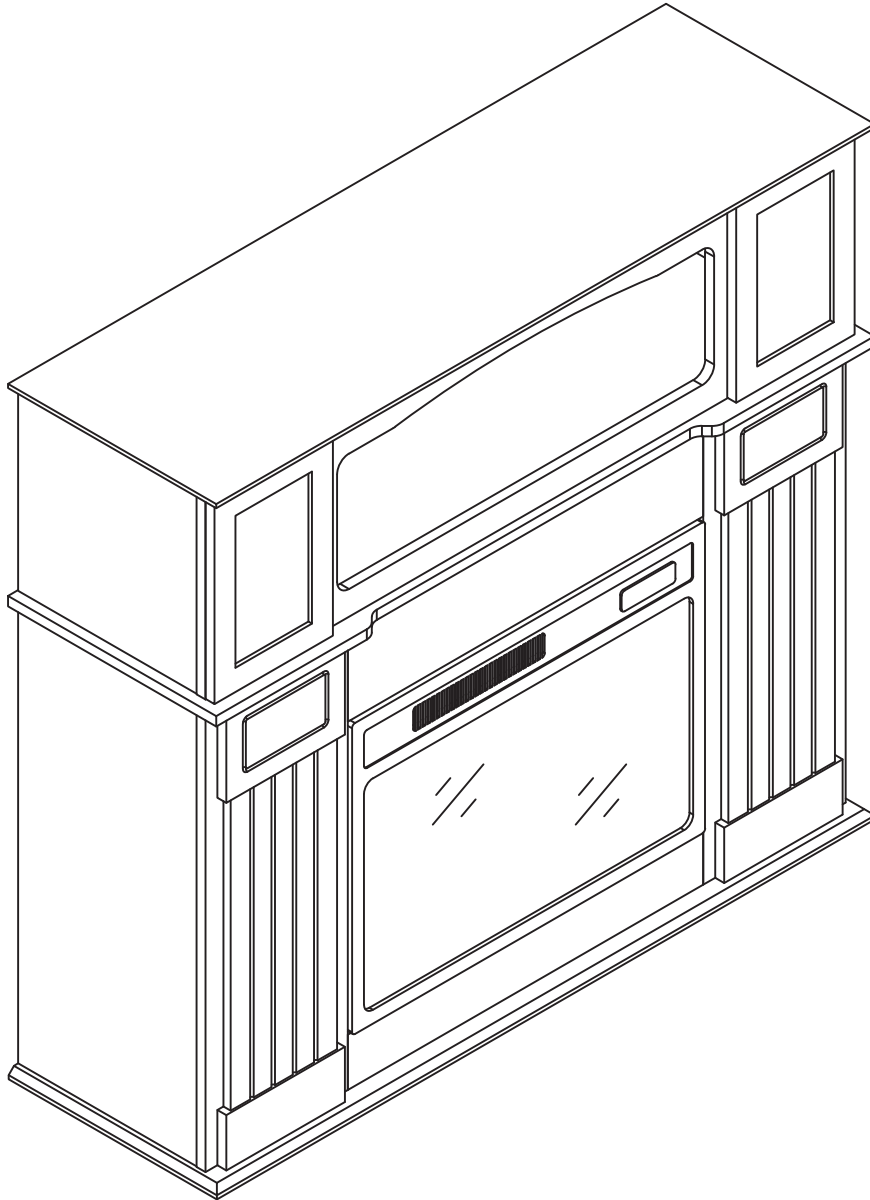



SKU:PFK-43MT-23PC



Attention: The Fireplace and TV stand come in **TWO PACKAGES**
Please don't be confused if only one package was received.
The light strip comes with fireplace. It should be installed after
TWO PACKAGES received

It is recommended that **TWO PEOPLE** work together during
the installation process.

 hellovitesse@gmail.com

 +1(503) 928-7812

HOPE YOU HAVE A PERFECT SHOPPING EXPERIENCE!

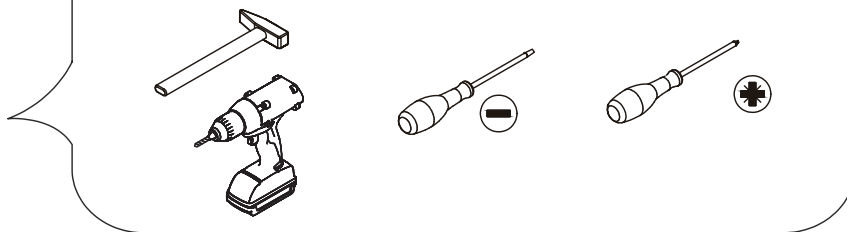
Our product is designed with excellence crafted from premium materials, and exhibits a unique sense of style. Every detail has been thoughtfully considered to bring both elegance and functionality to your space.

Whether in the office or at home, our product offers long-lasting performance and versatile use. We believe it will enhance your environment and make your daily tasks easier.

If you encounter any issues or have questions, please don't hesitate to contact our dedicated customer service team. We are always here to assist and ensure your satisfaction.



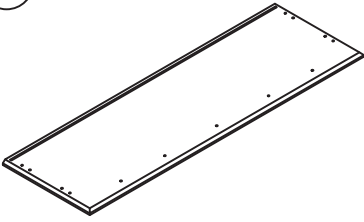
Please prepare the following tools



When installing, please carefully confirm whether each screw corresponds to the manual, accessories with similar shapes can be distinguished by size

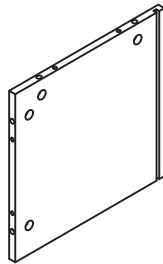


1



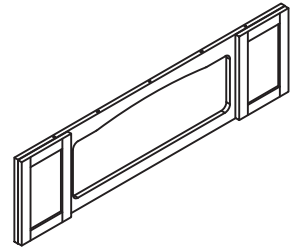
1 PC

2



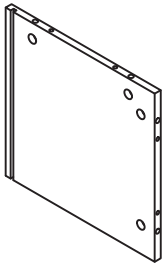
1 PC

3



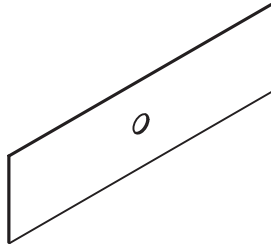
1 PC

4



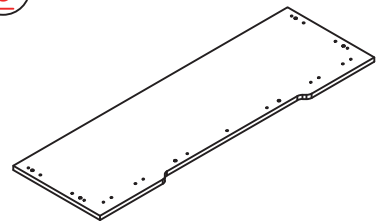
1 PC

5



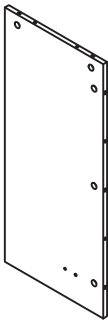
1 PC

6



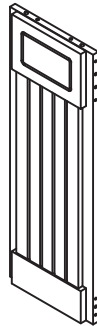
1 PC

7



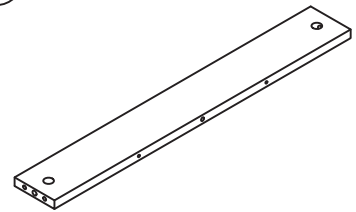
1 PC

8



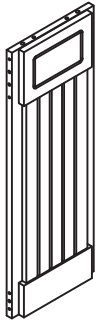
1 PC

10



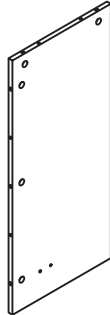
1 PC

11



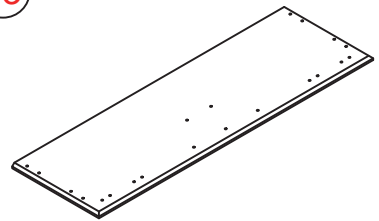
1 PC

12



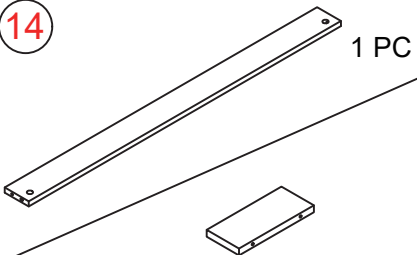
1 PC

13



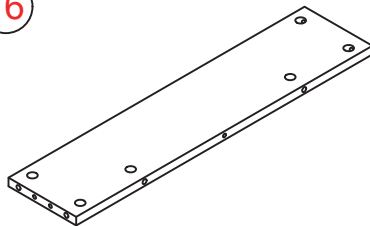
1 PC

14



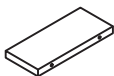
1 PC

16

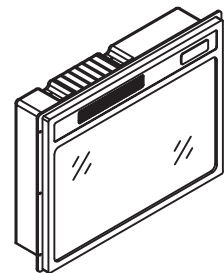


1 PC

15



1 PC



Ship with another package

A x 34



M5x35 mm

B x 34



Ø15x10 mm

C x 20



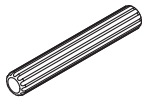
M5x40 mm

D x 4



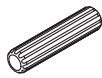
M3.5x14 mm

E x 5



Ø6x40 mm

F x 40



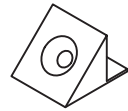
Ø6x30 mm

G x 6



Ø30*3

H x 4

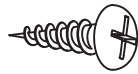


J x 2

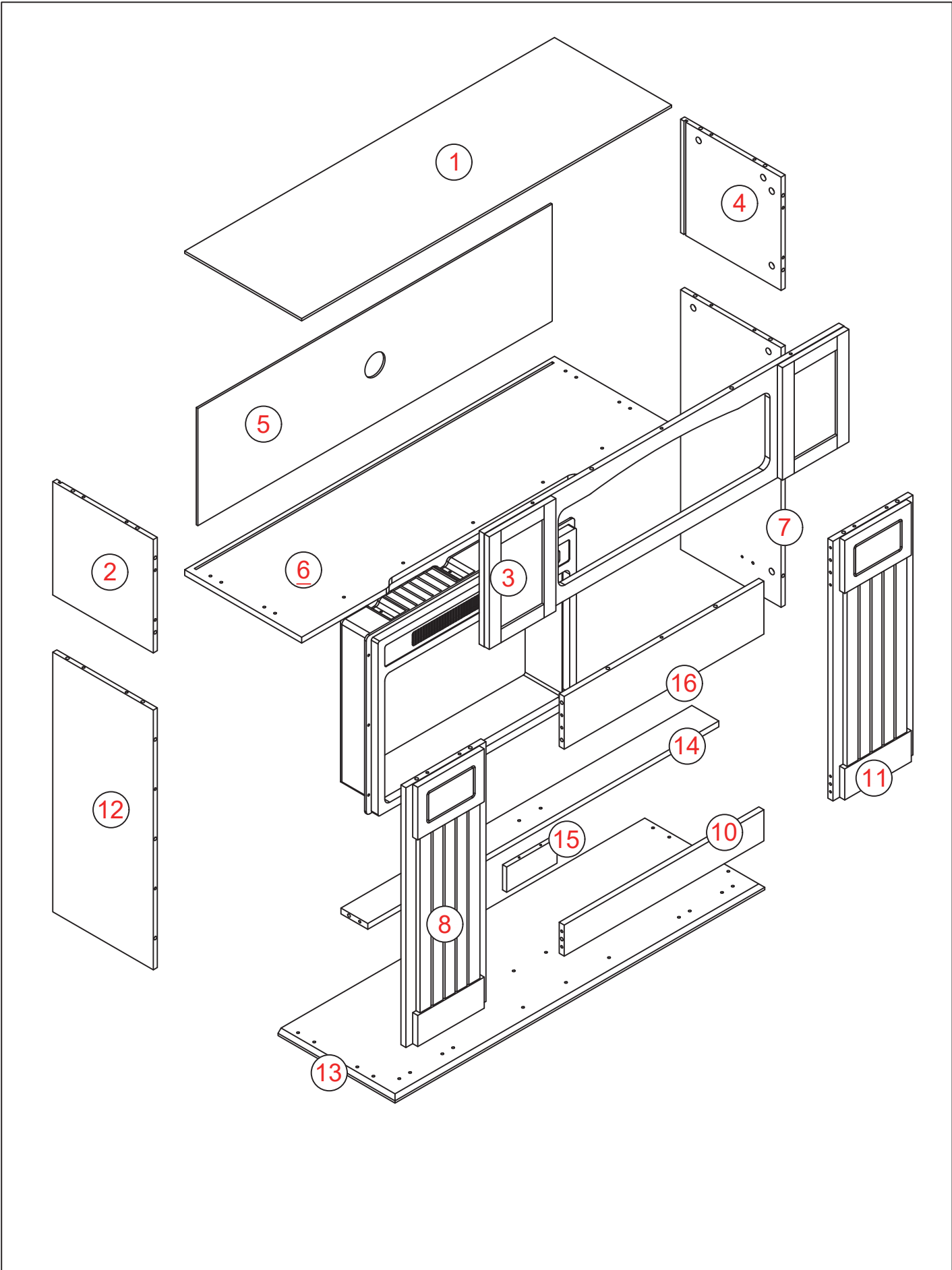


M4X40 M4X18 Ø8X40


K x 6

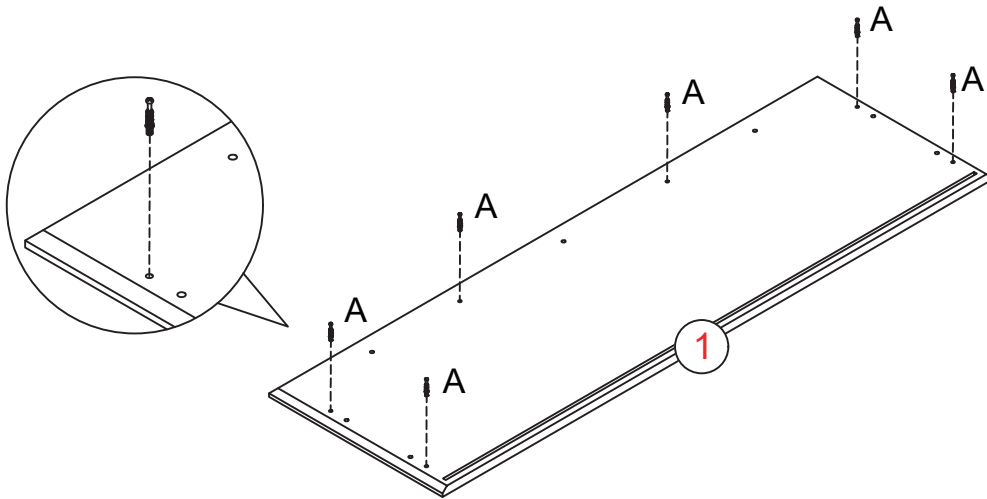


M5x14 mm




1

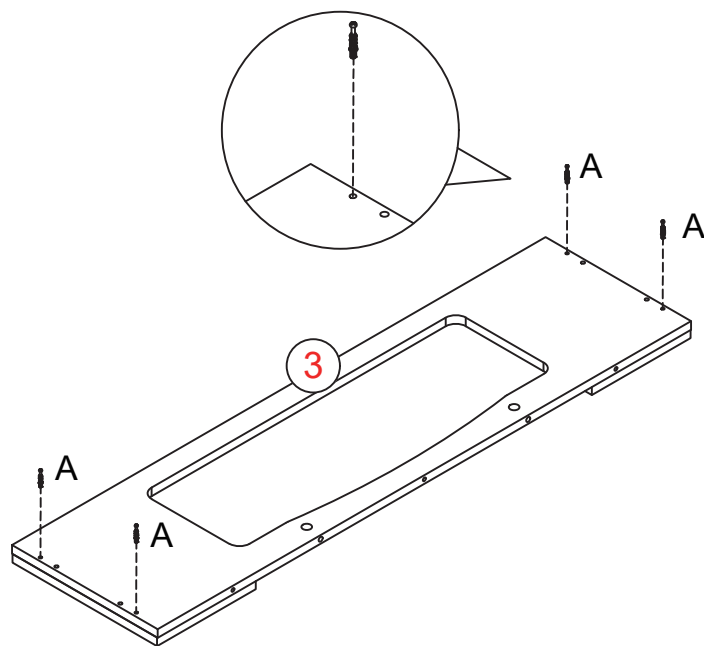
A x 6

M5x35 mm



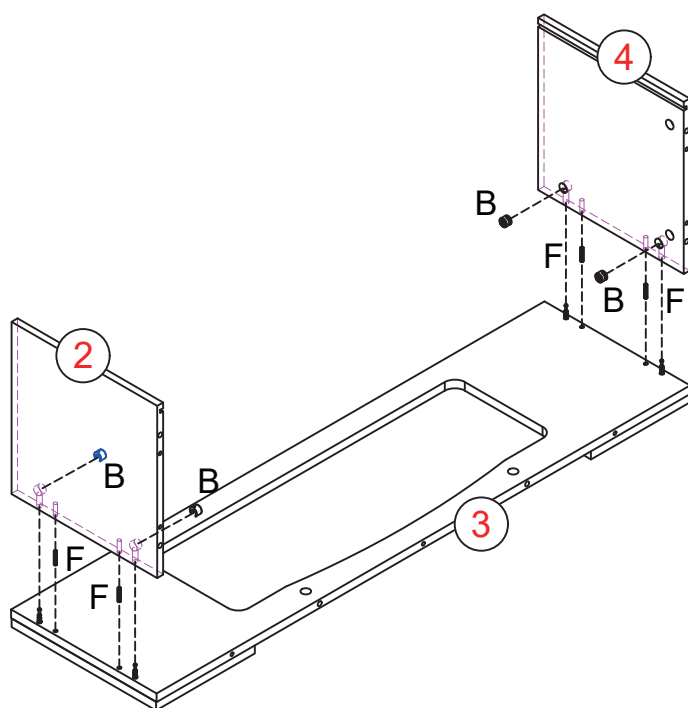
Please note that there are two adjacent screw holes here, which need to be installed according to the positions shown in the picture.

2

A x 4

M5x35 mm



3



B x 4



Ø15x10 mm

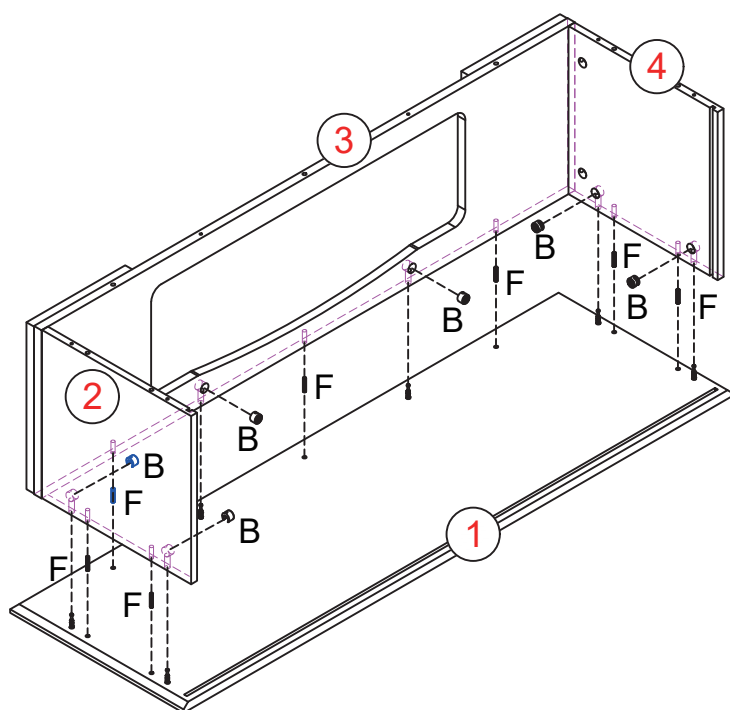
F x 4



Ø6x30 mm

When installing Plate 2 and Plate 4, there is a left-right distinction. Please do not install them randomly.

4



B x 6



Ø15x10 mm

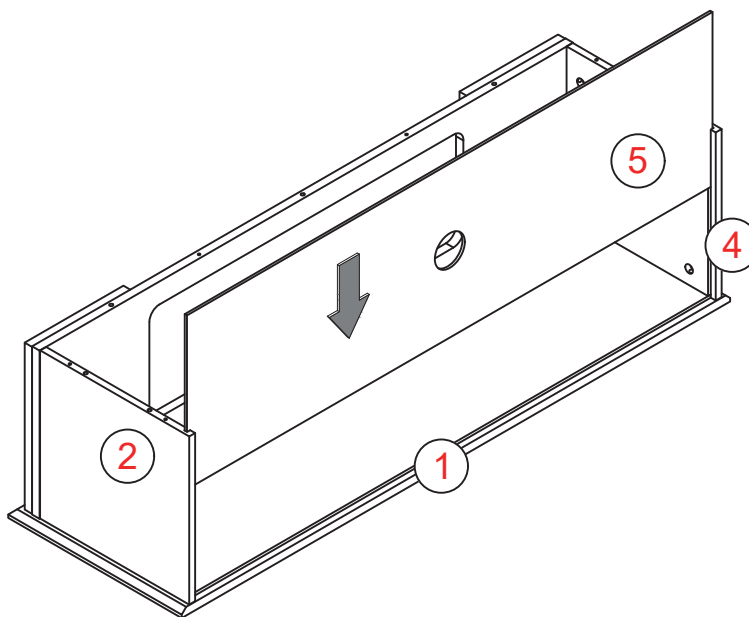
F x 7



Ø6x30 mm

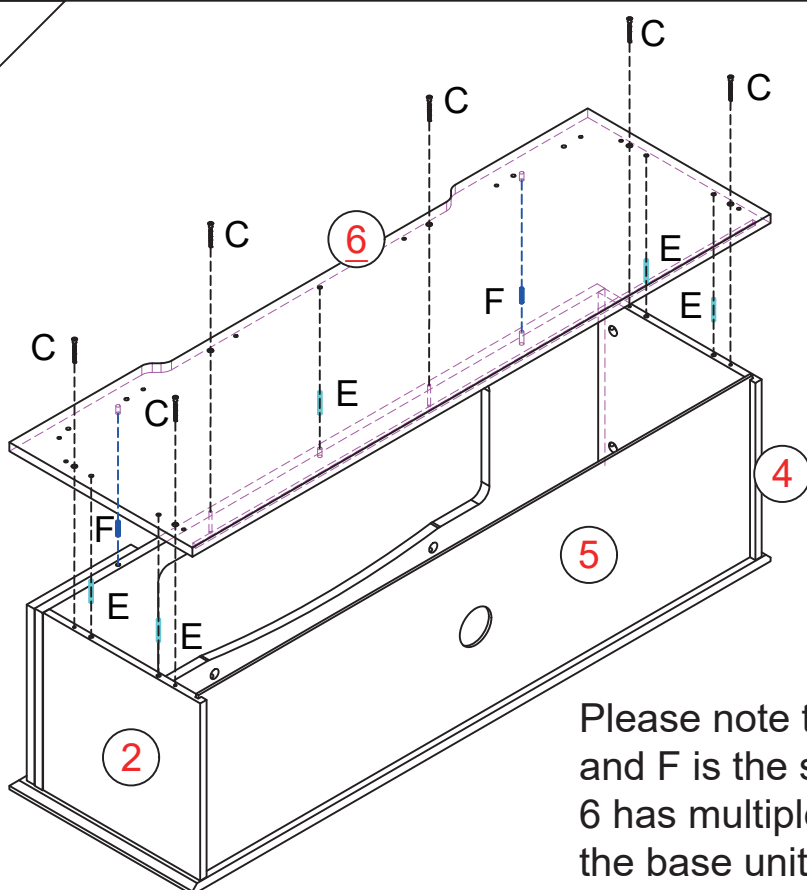
Please pre-install wooden part F on Plate 1, then connect the two main bodies. It is recommended that two people perform this installation together.

5



When installing Plate 5, please ensure it is fitted into the reserved groove on Plate 1

6



C x 6



M5x40 mm

E x 5



Ø6x40 mm

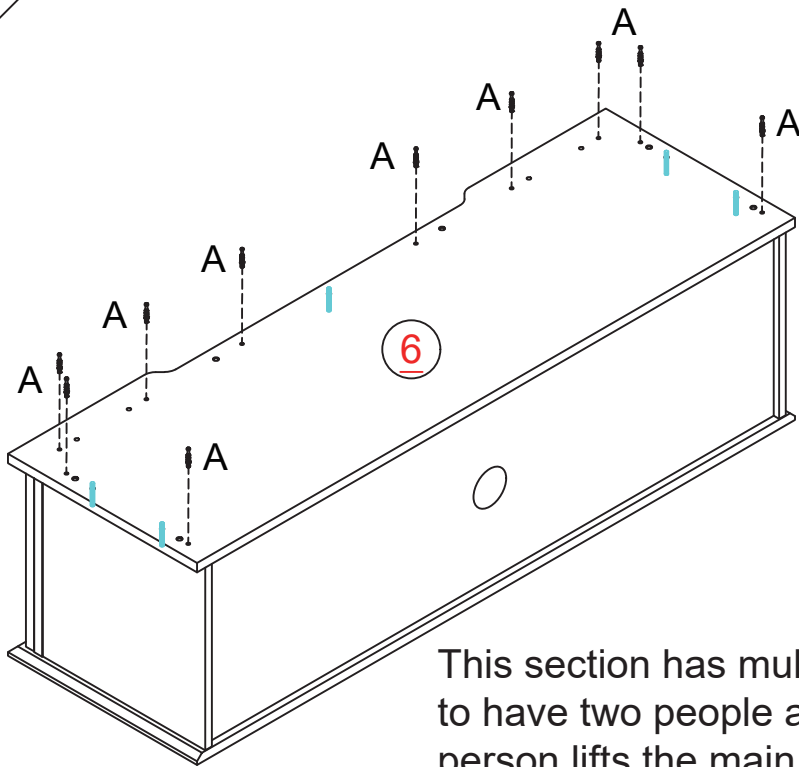
F x 2




Ø6x30 mm

Please note that E is the long wooden peg and F is the short wooden peg. Since Plate 6 has multiple holes, first install E and F on the base unit, then place Plate 6 over them, and finally install Screw C.

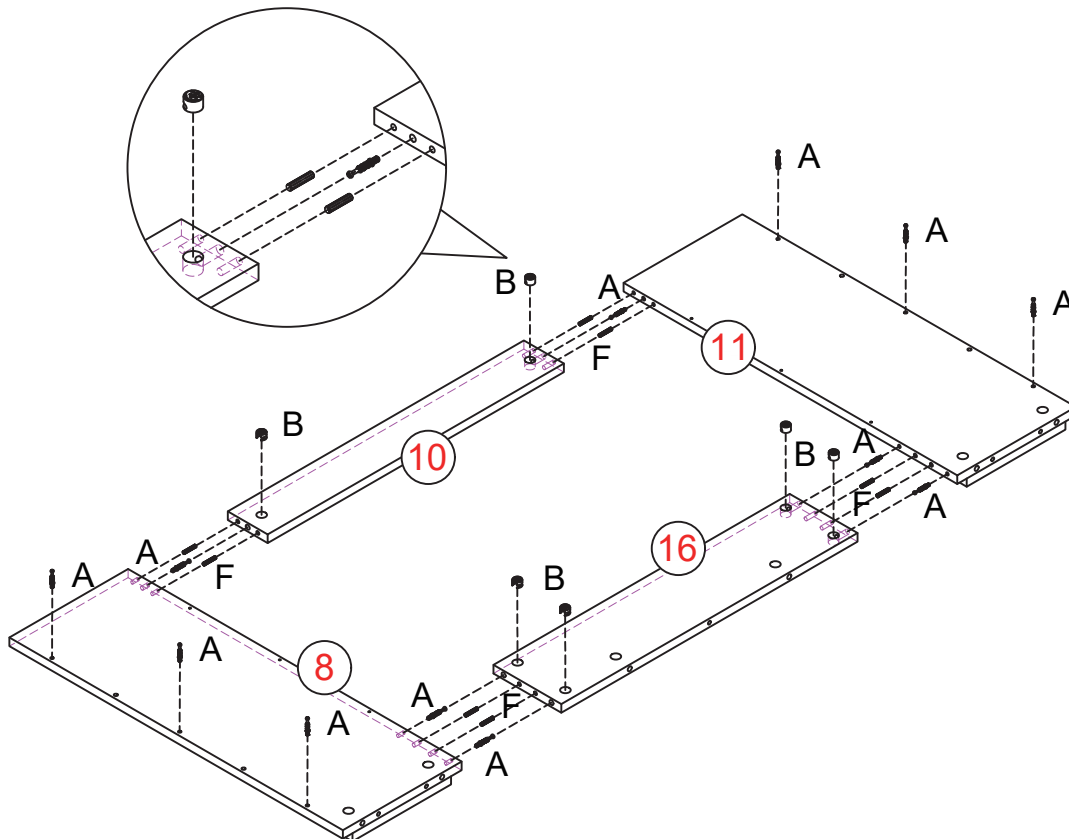
7






- A x 10

 M5x35 mm

This section has multiple holes. It is recommended to have two people assist with the installation: one person lifts the main unit while the other aligns the holes. Multiple attempts may be needed, so please remain patient.

8



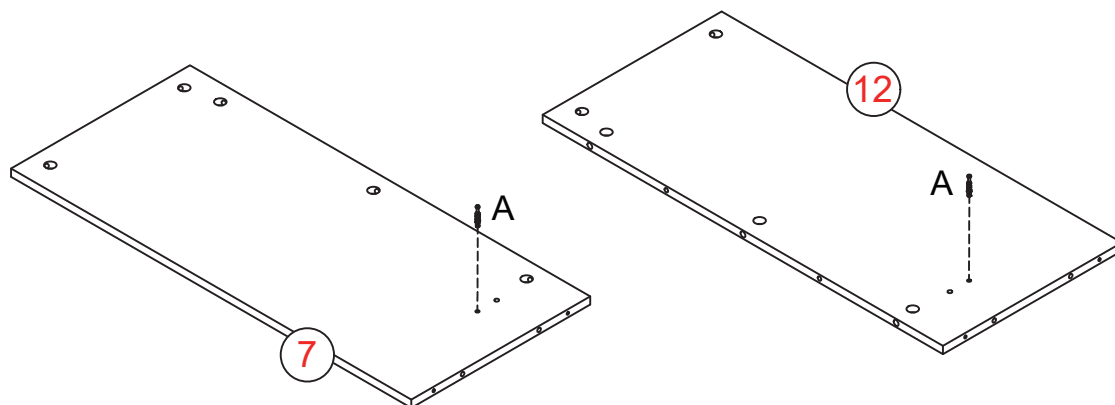
- A x 12

 M5x35 mm
- B x 6

 Ø15x10 mm
- F x 8

 Ø6x30 mm

9

A x 2



M5x35 mm



10

B x 1

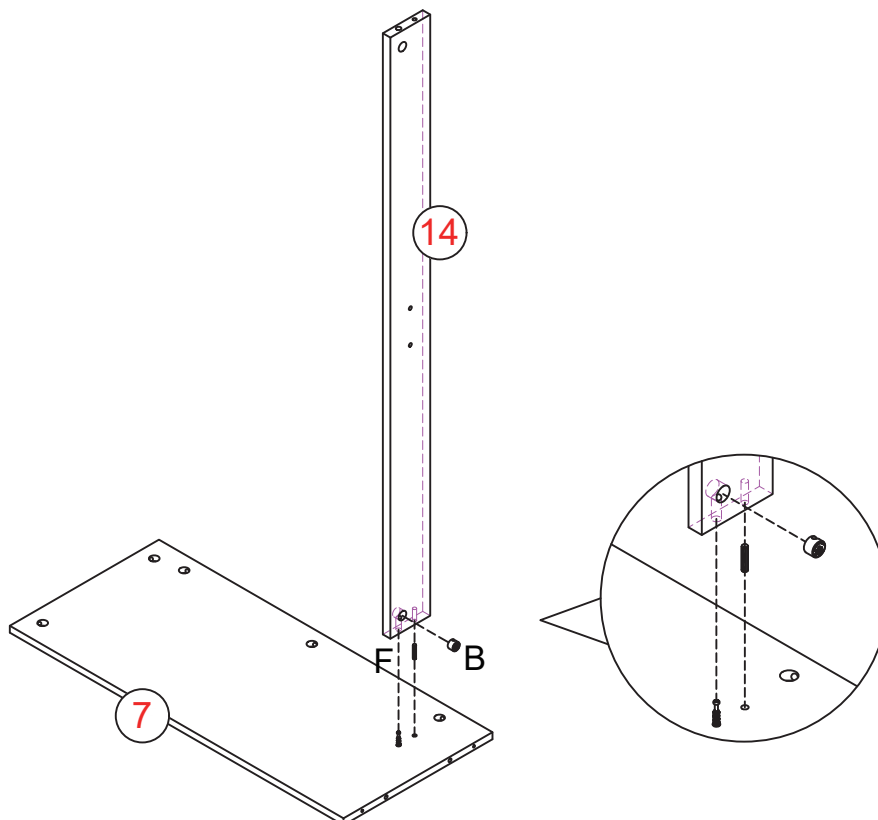


Ø15x10 mm

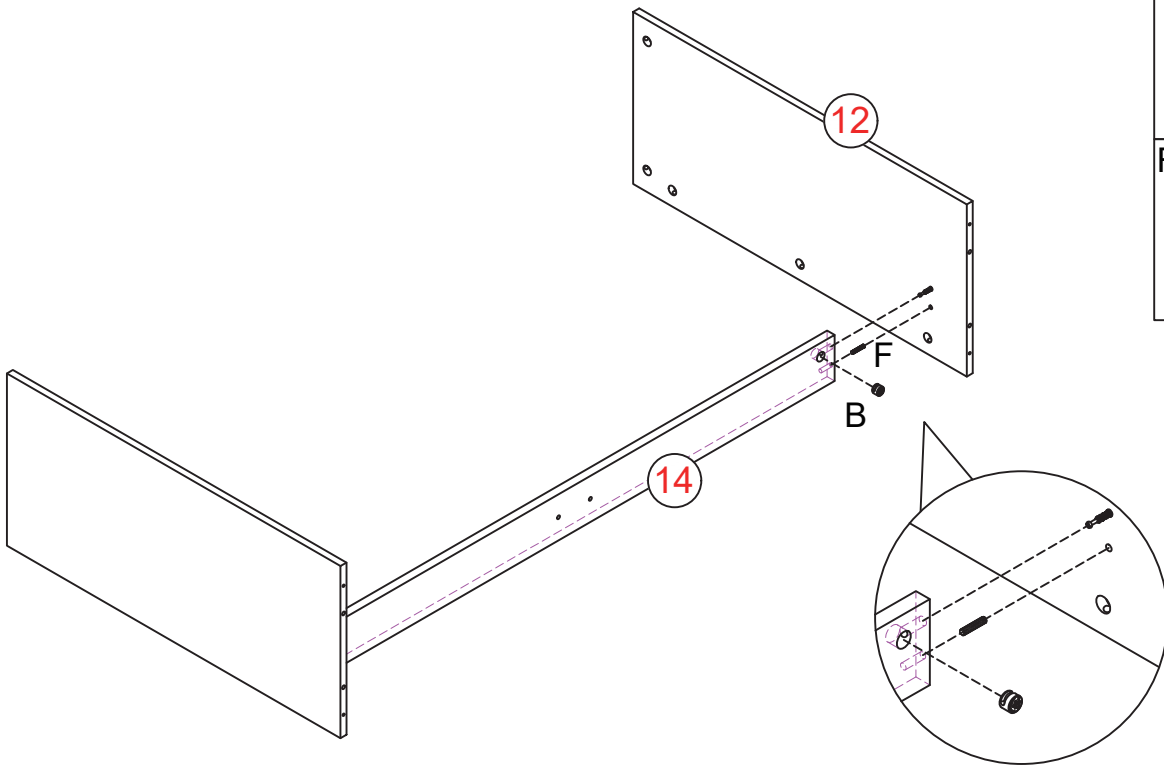
F x 1





Ø6x30 mm

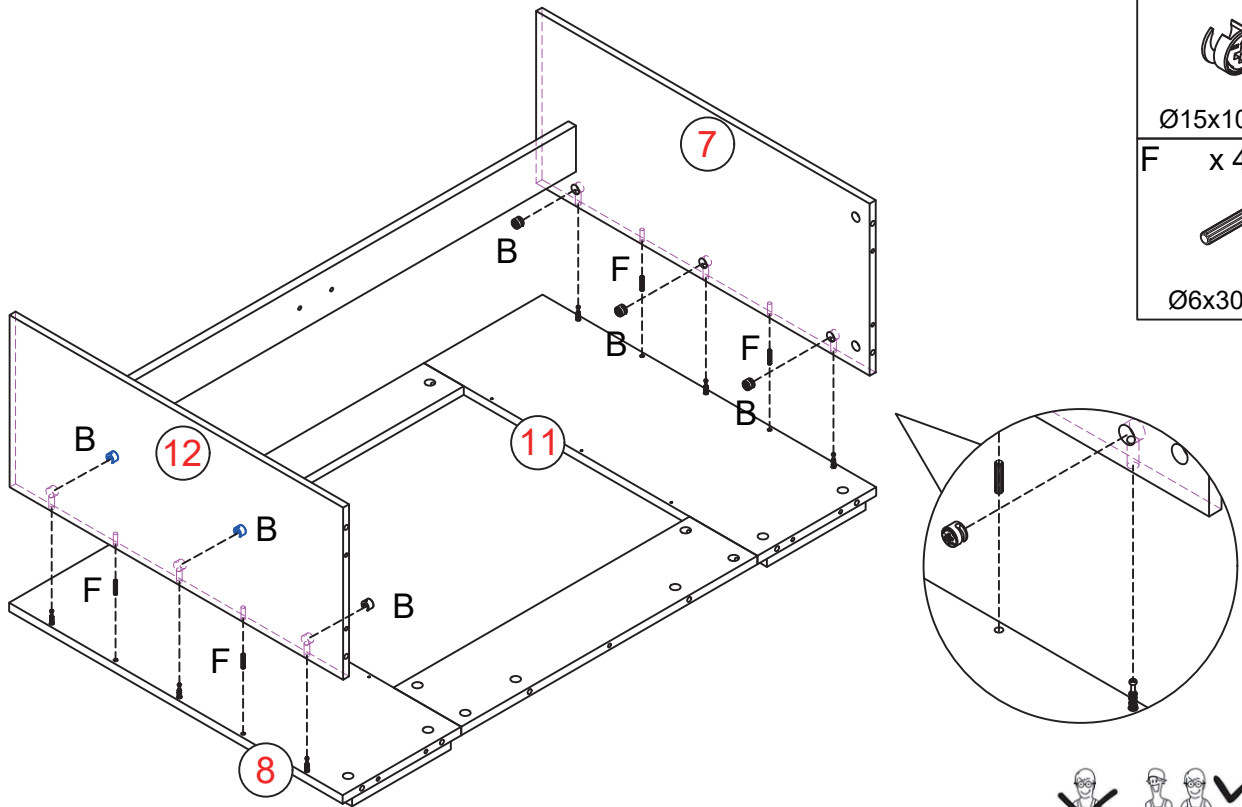




11

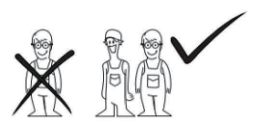


- B x 1

 Ø15x10 mm
- F x 1

 Ø6x30 mm

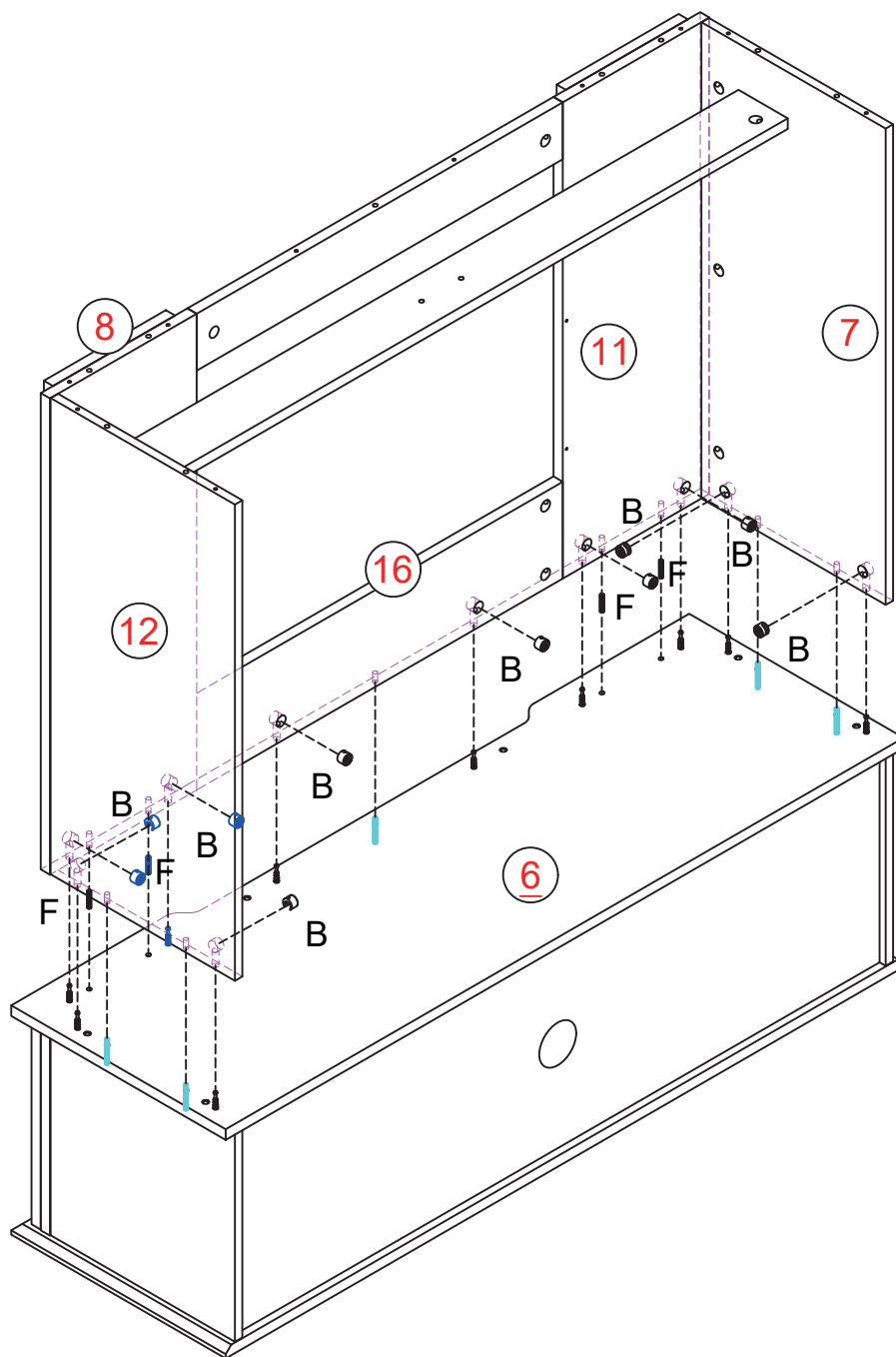
12





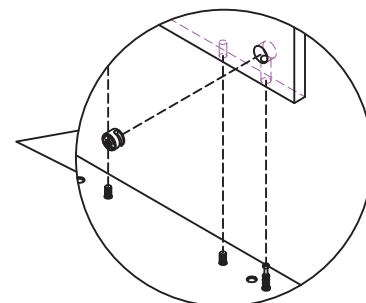
- B x 6

 Ø15x10 mm
- F x 4

 Ø6x30 mm



13



B	x 10
	
Ø15x10 mm	
F	x 4
	
Ø6x30 mm	



This section has multiple holes. It is recommended to have two people assist with the installation: one person lifts the main unit while the other aligns the holes. Multiple attempts may be needed, so please remain patient.



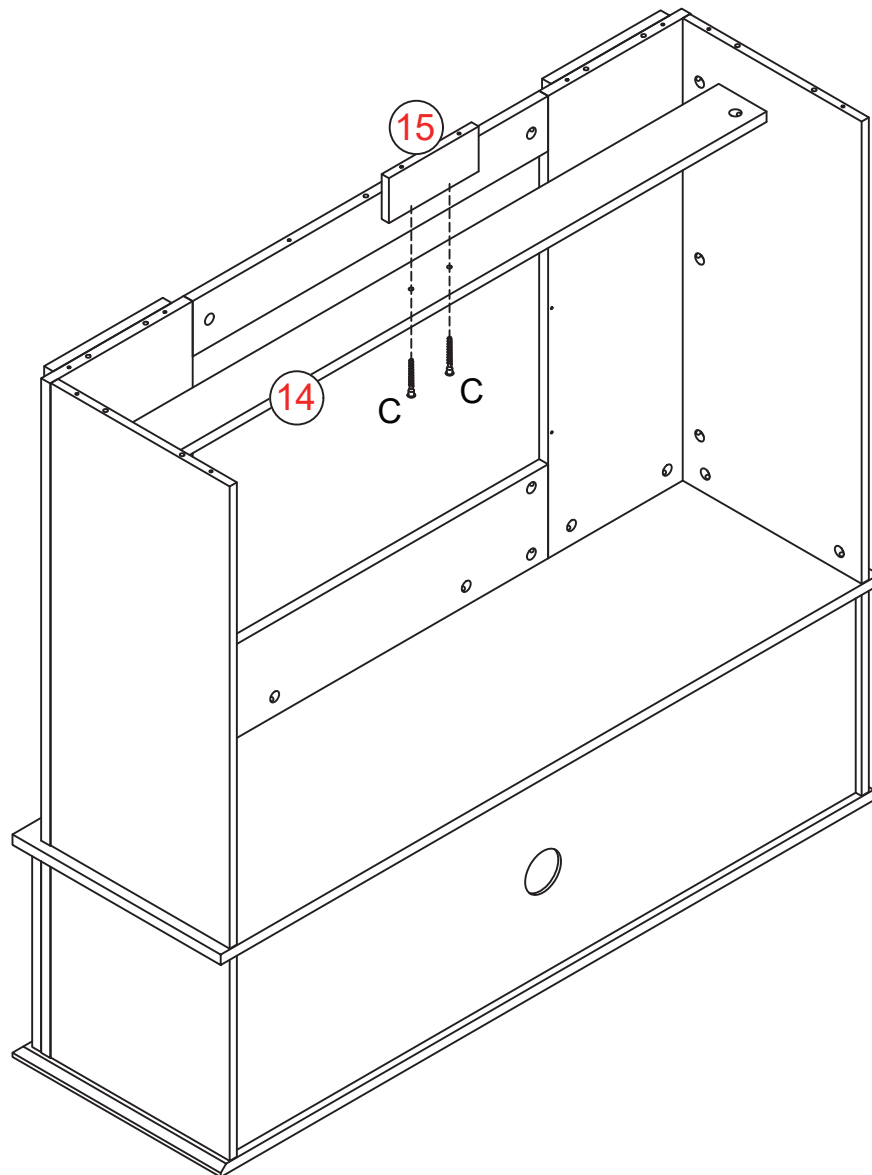


14

C x 2



M5x40 mm



15

C x 12

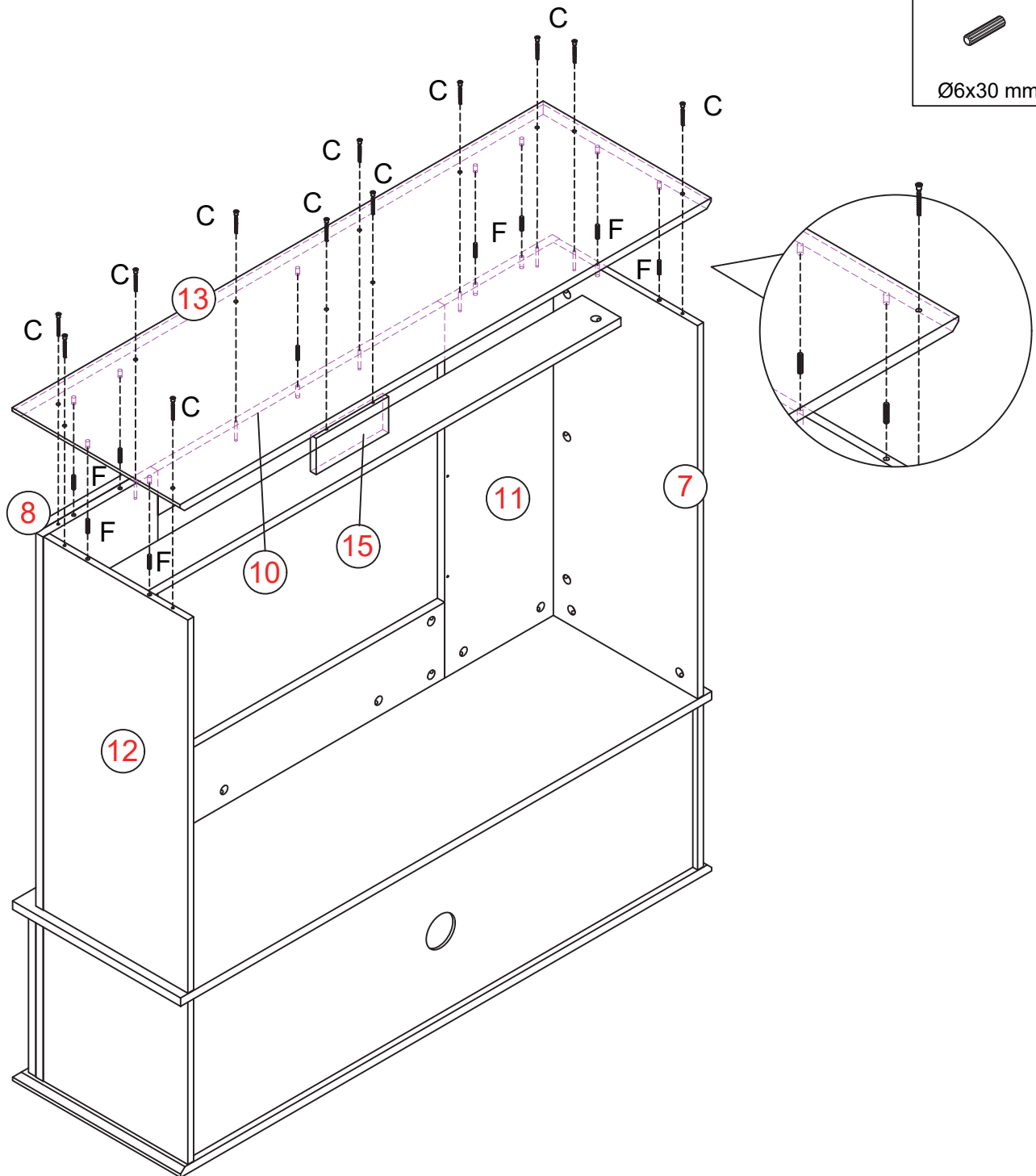


M5x40 mm

F x 9



Ø6x30 mm



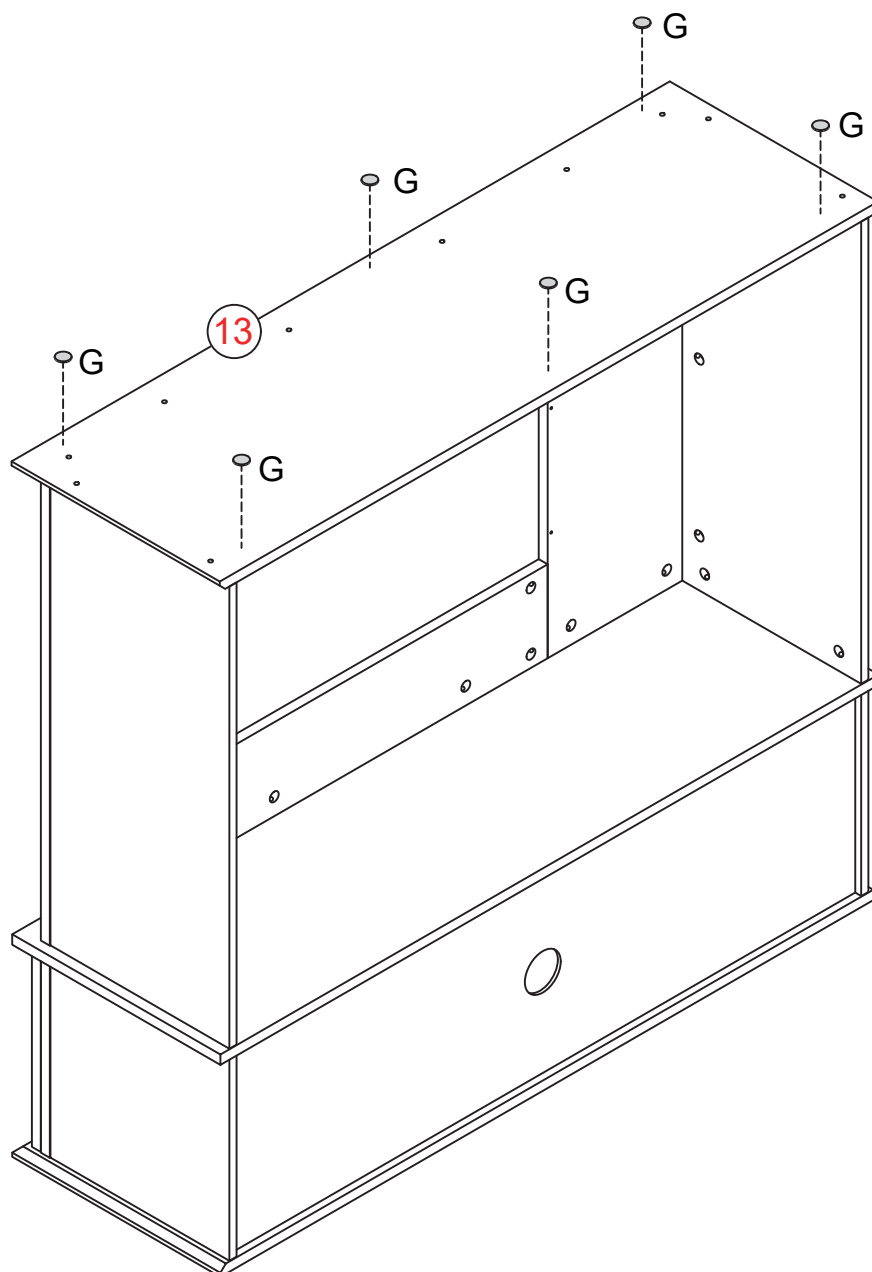
This step requires the use of multiple screws. Wooden Peg F should be installed between the main body and Plate 13. Screw C should only be installed after Plate 13 is in place.

16

G x 6





Ø30*3

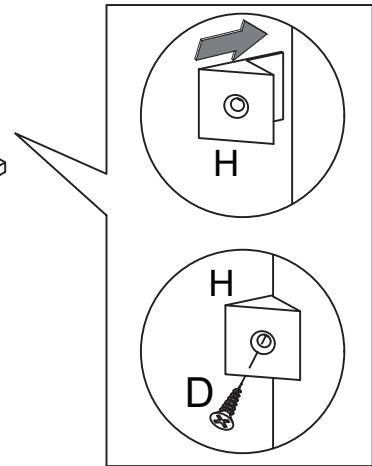
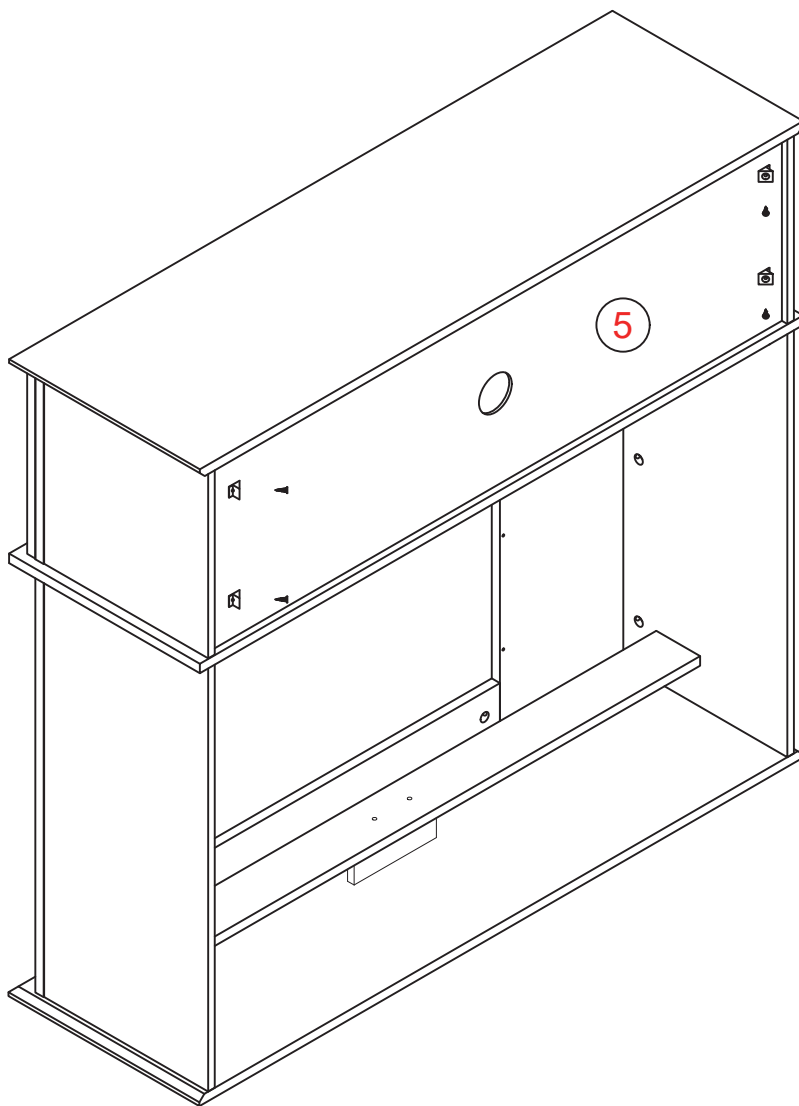


G is the anti-slip sticker, which is an optional installation accessory.



17

D	x 4
	
M3.5x14 mm	
H	x 4
	

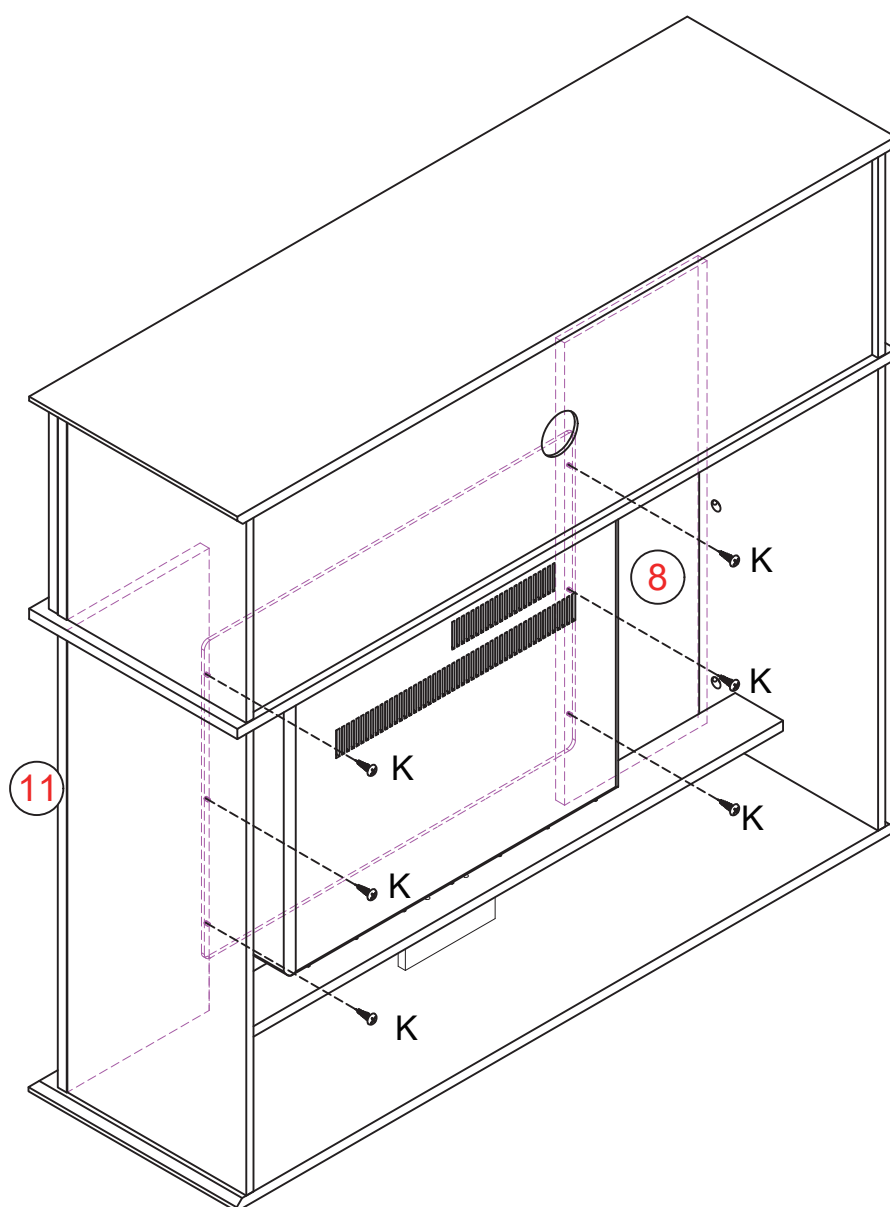


18

K x 6



M5x14 mm

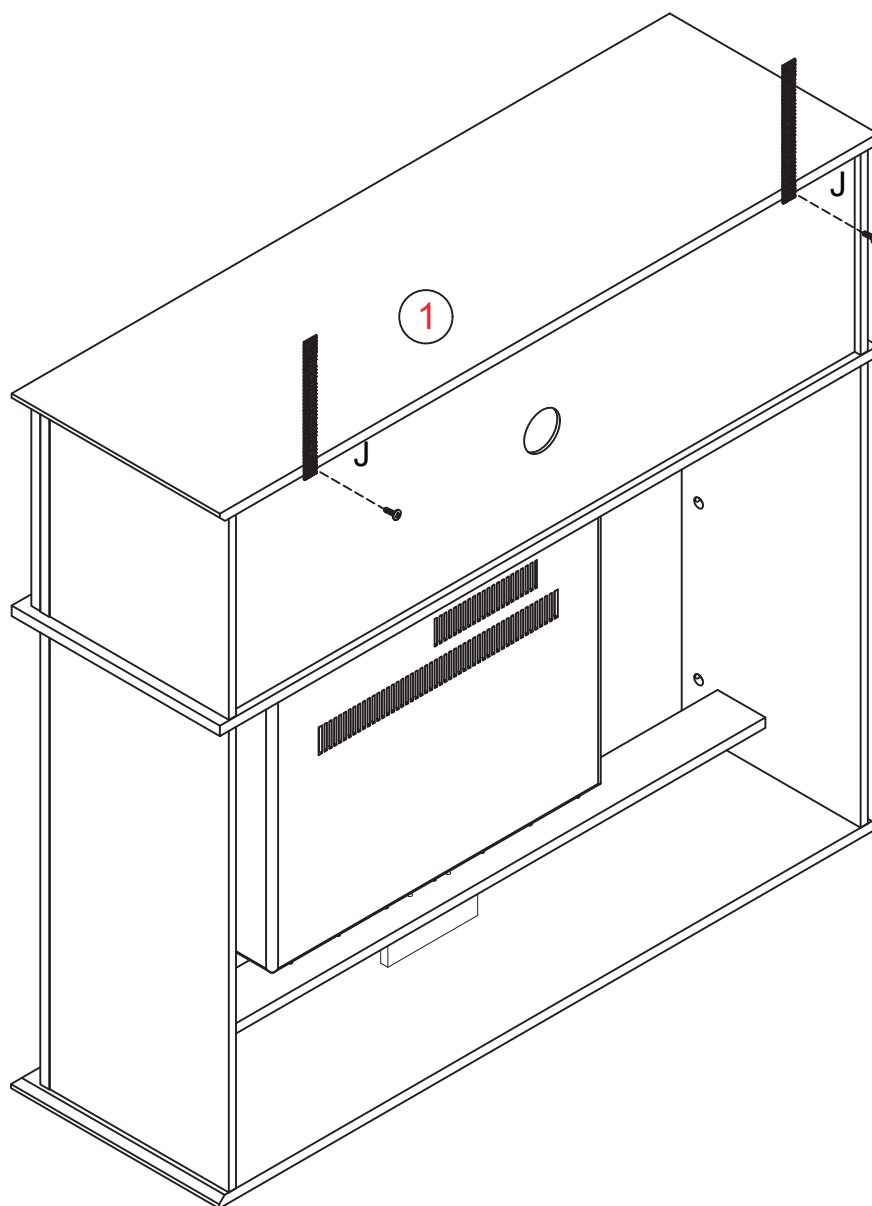


To ensure shipping durability, no pre-drilled holes are provided for the fireplace. Please position it in the cabinet and drill directly - the wood is drill-friendly.

J x 2



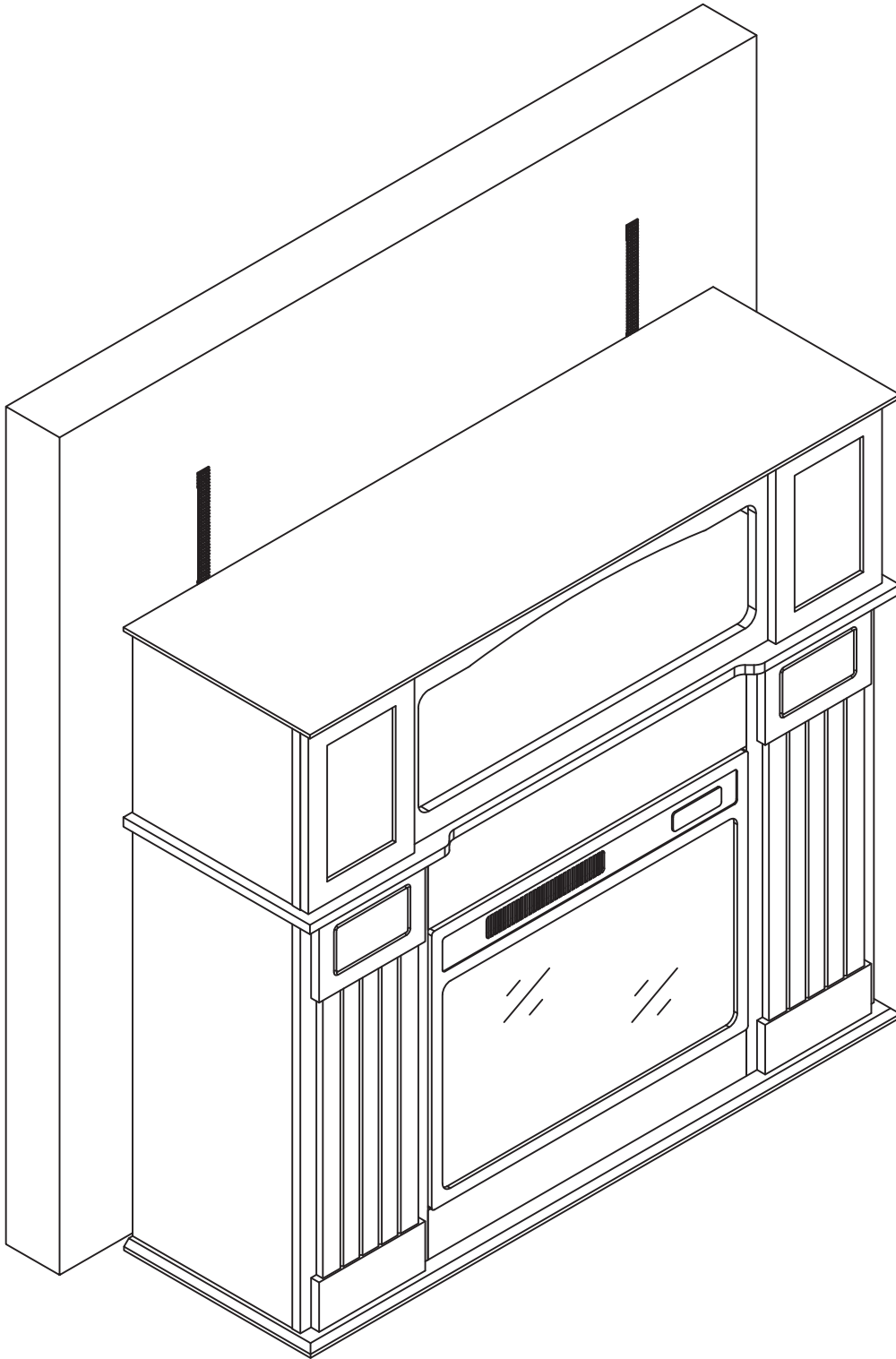
M4X18



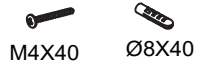
J is an anti-tip accessory, which is an optional installation accessory.



20

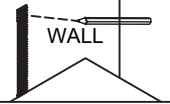


J x 2



M4X40

Ø8X40



WALL



Self-prepared

