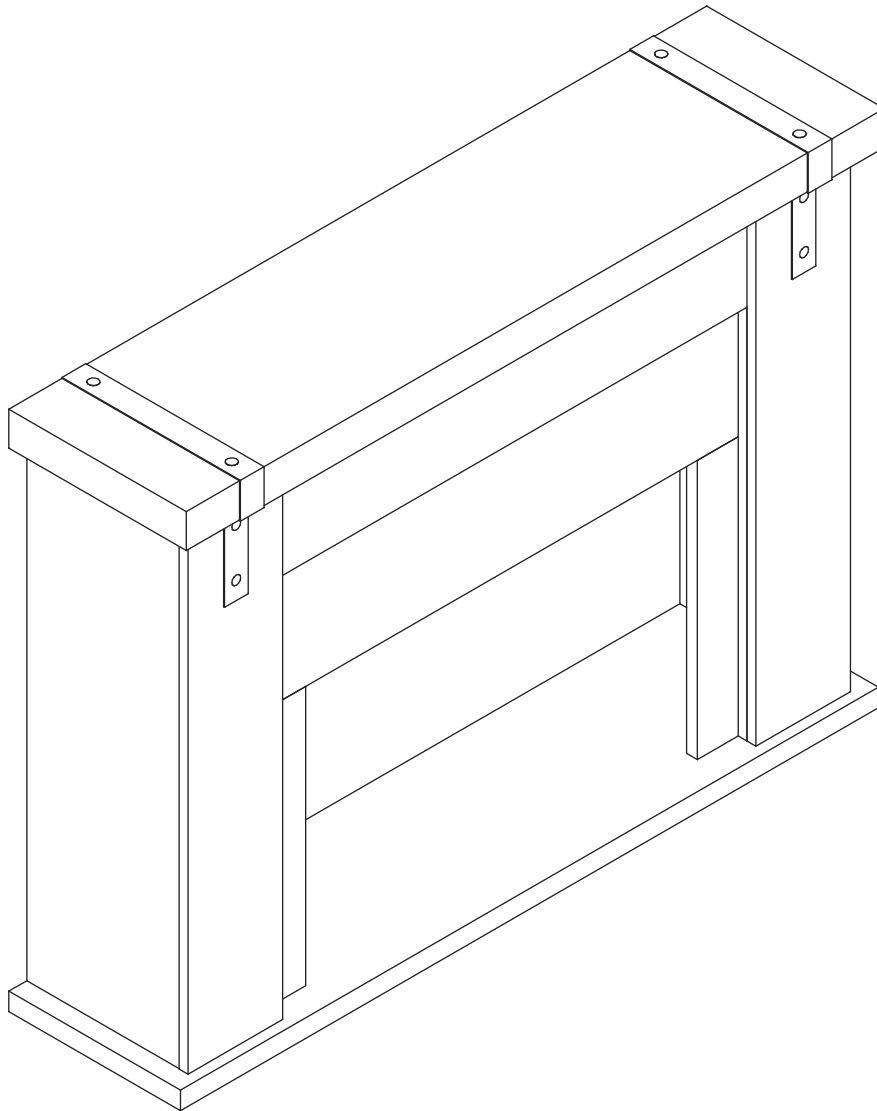


ASSEMBLY INSTRUCTION

47" TV stand

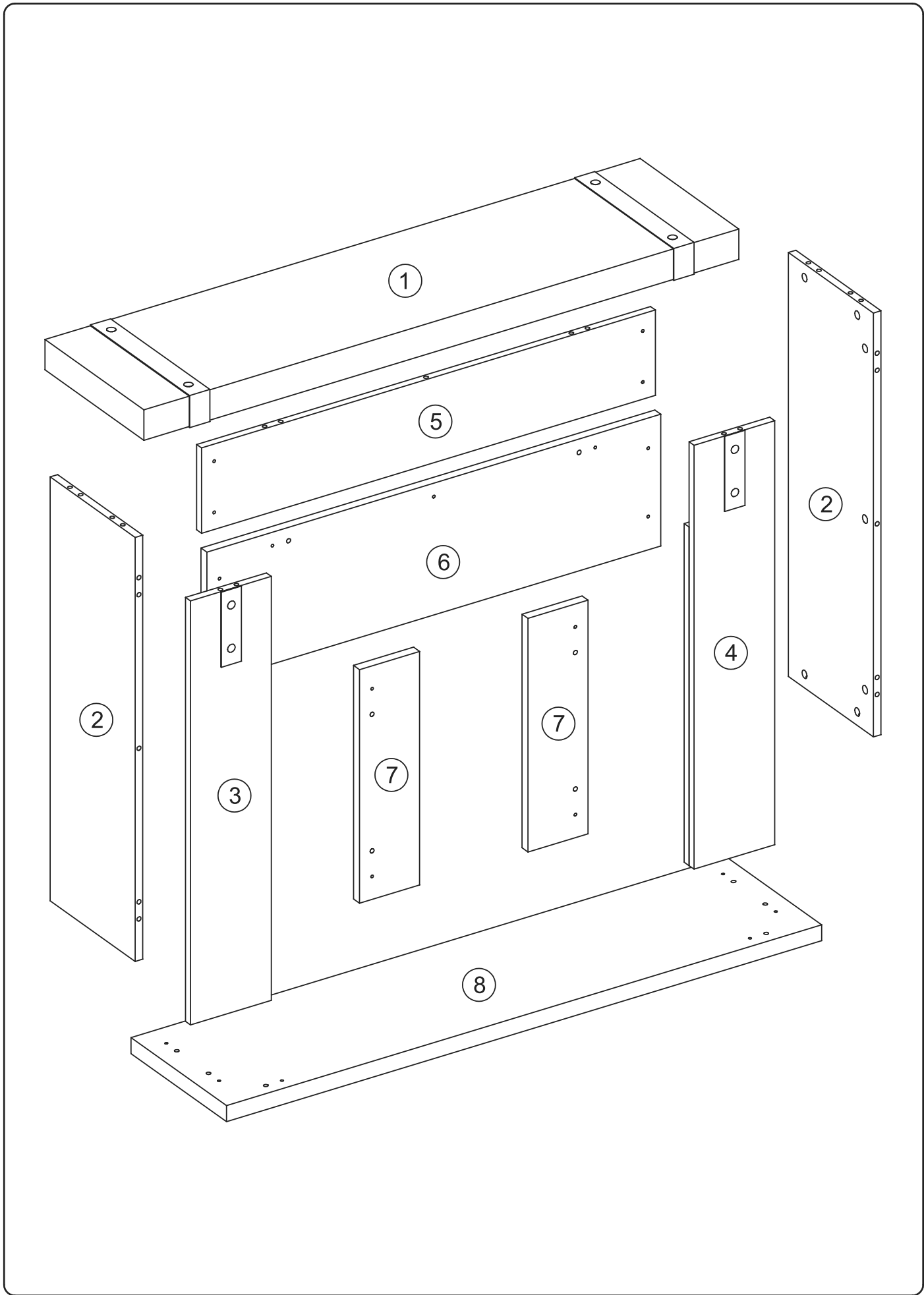


THIS INSTRUCTION BOOKLET IS IMPORTANT. PLEASE READ CAREFULLY.
AND KEEP FOR FUTURE REFERENCE.

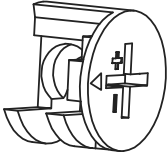



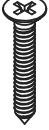
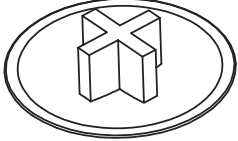
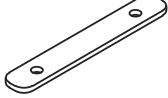

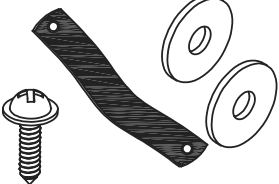
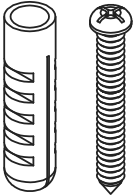


Before You Start



- ⚠ Please read all instructions carefully.
- ⚠ Retain instructions for future reference.
- ⚠ Separate and count all parts and hardware.
- ⚠ Read through each step carefully and follow the proper order.
- ⚠ We recommend that, where possible, all items are assembled near to the area in which they will be placed in use, to avoid moving the product unnecessarily once assembled.
- ⚠ Always place the product on a flat, steady and stable surface.
- ⚠ Keep all small parts and packaging materials for this product away from babies and children as they potentially pose a serious choking hazard.

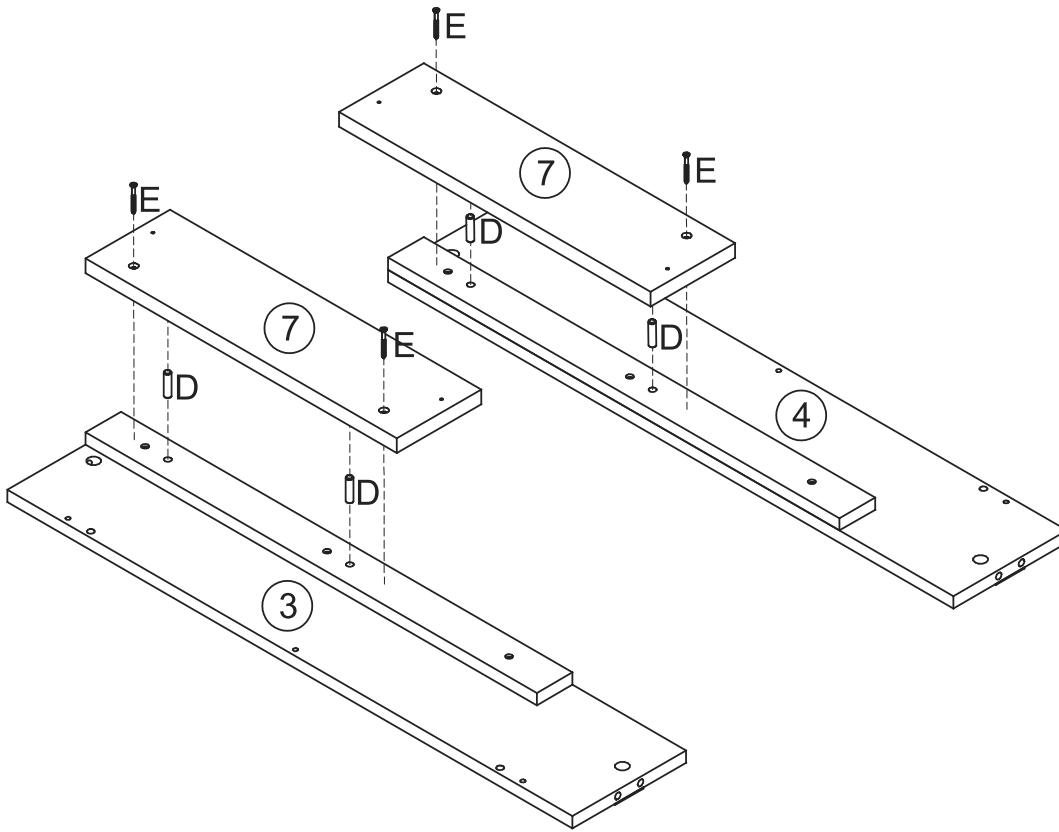


PACKAGE CONTENT (A)		
CODR	DESCRIPTION	QTY
1	Panel combination	1
2	Side plate	2
3	Left front gear	1
4	Right front gear	1
5	Underface baffle	1
6	Furnace core crosspiece	1
7	Furnace core vertical block	2
8	Bottom plate combination	1



<p>(A) Ø15</p>  <p>21X+1X</p>	<p>(B)</p>  <p>21X+1X</p>	<p>(C) Ø8x30mm</p>  <p>18X+1X</p>	<p>(D) Ø8x20mm</p>  <p>6X</p>
<p>(E)</p>  <p>15X+1X</p>	<p>(F)</p>  <p>21X</p>	<p>(G)</p>  <p>2X</p>	<p>(H)</p>  <p>4X</p>
<p>(I)</p>  <p>2X</p>	<p>(J)</p>  <p>2X+2X</p>		

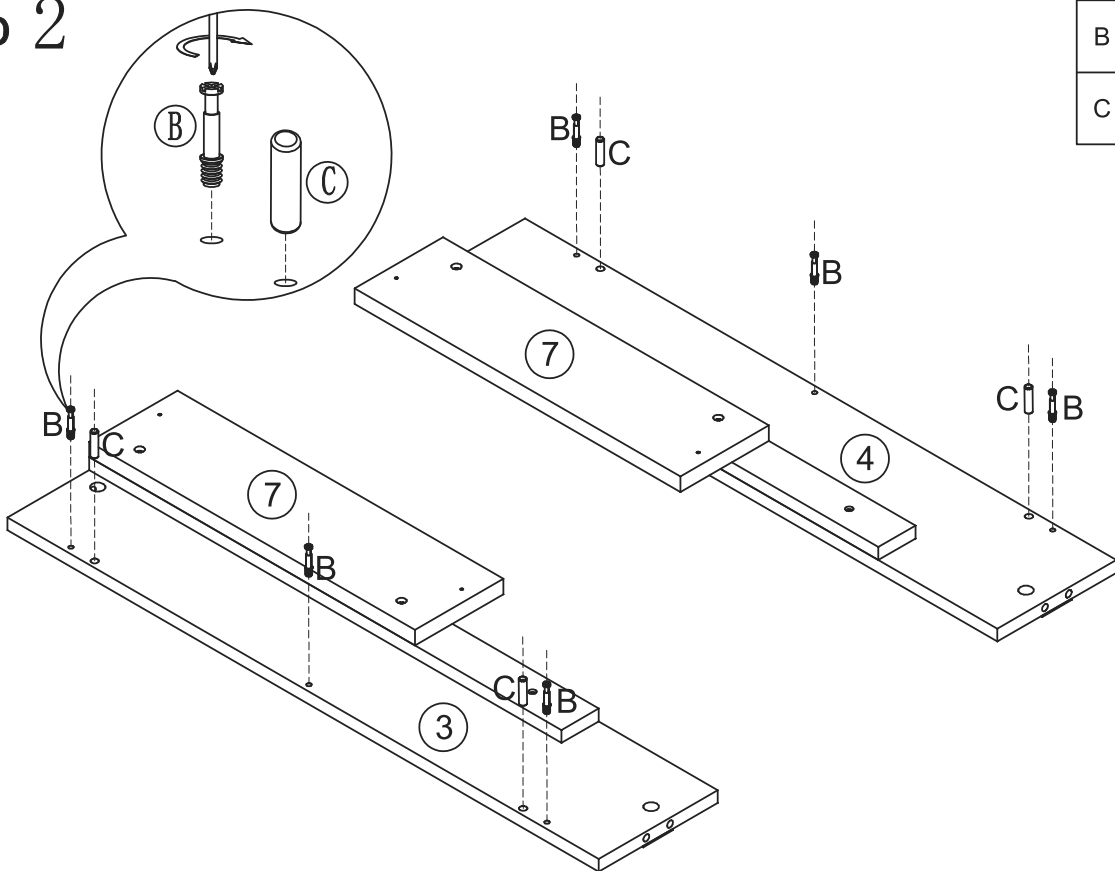
Step 1

D		4
E		4




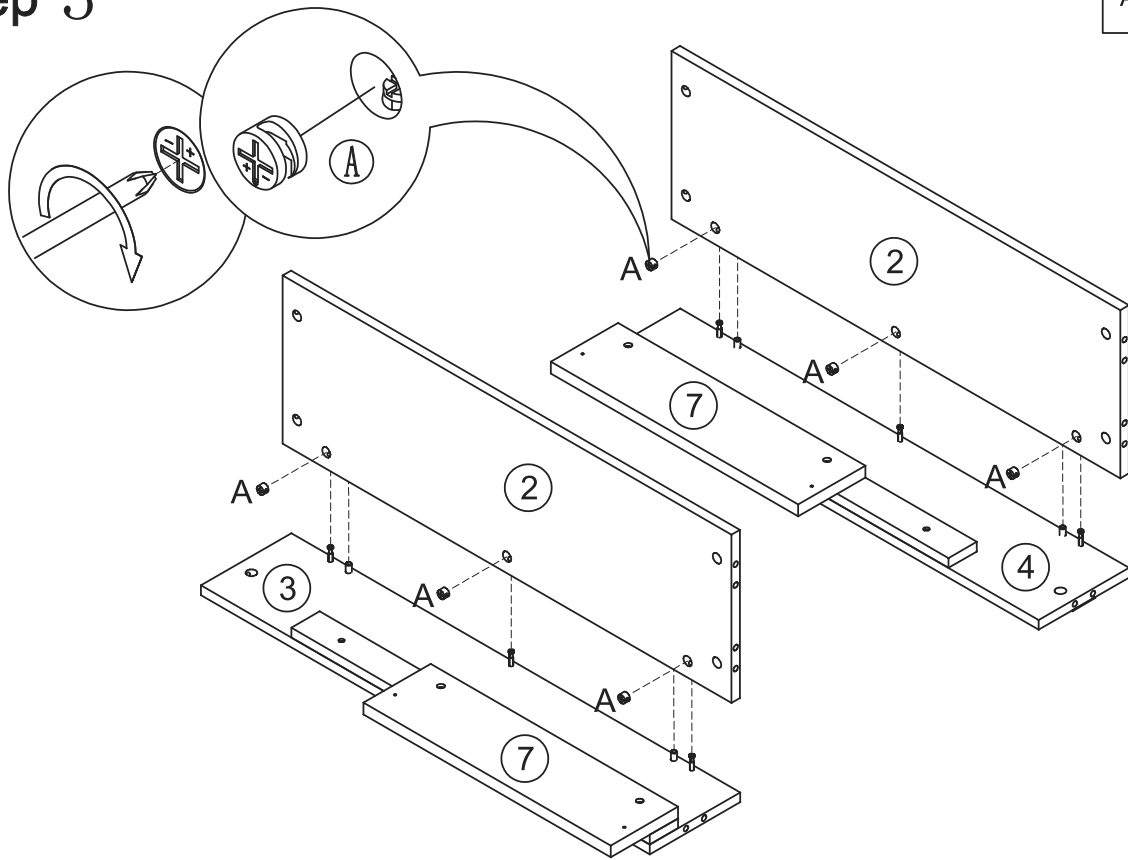
Step 2

B		6
C		4





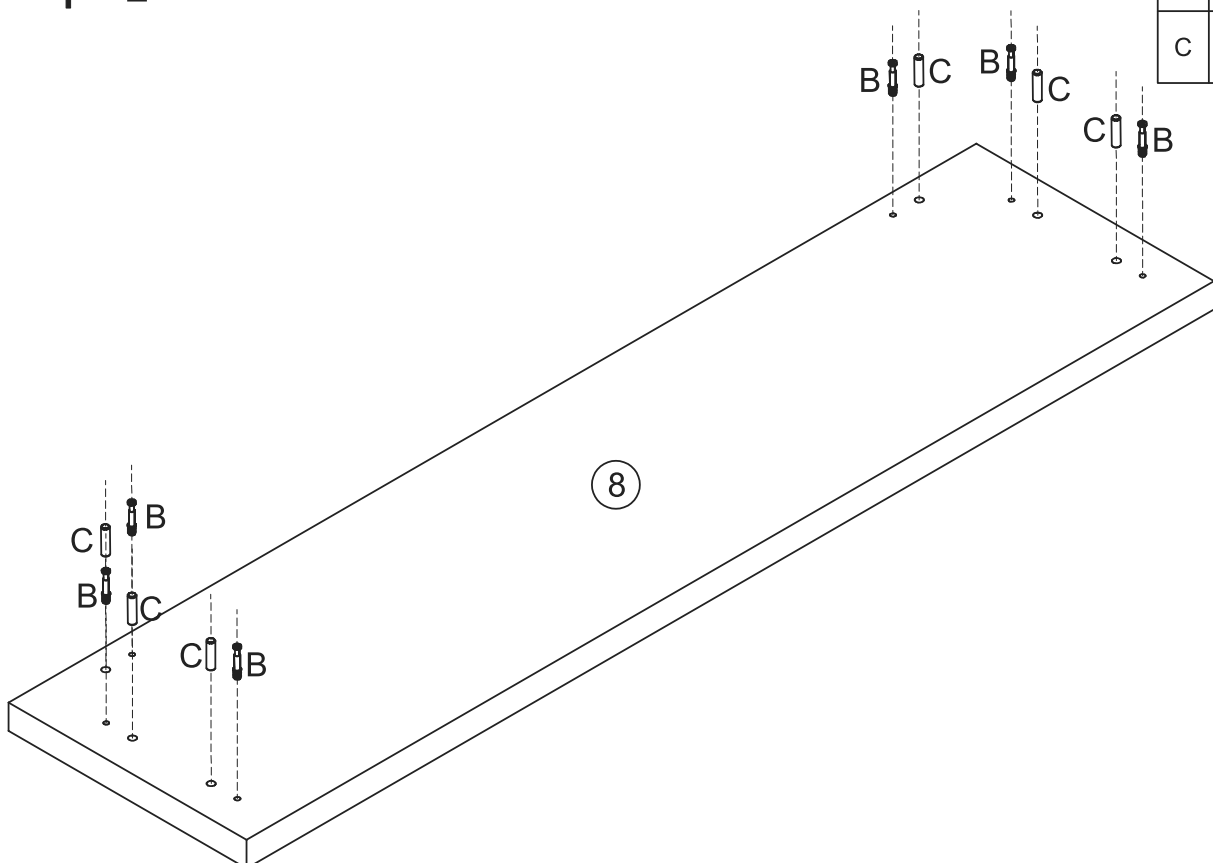
Step 3

A		6
---	---	---



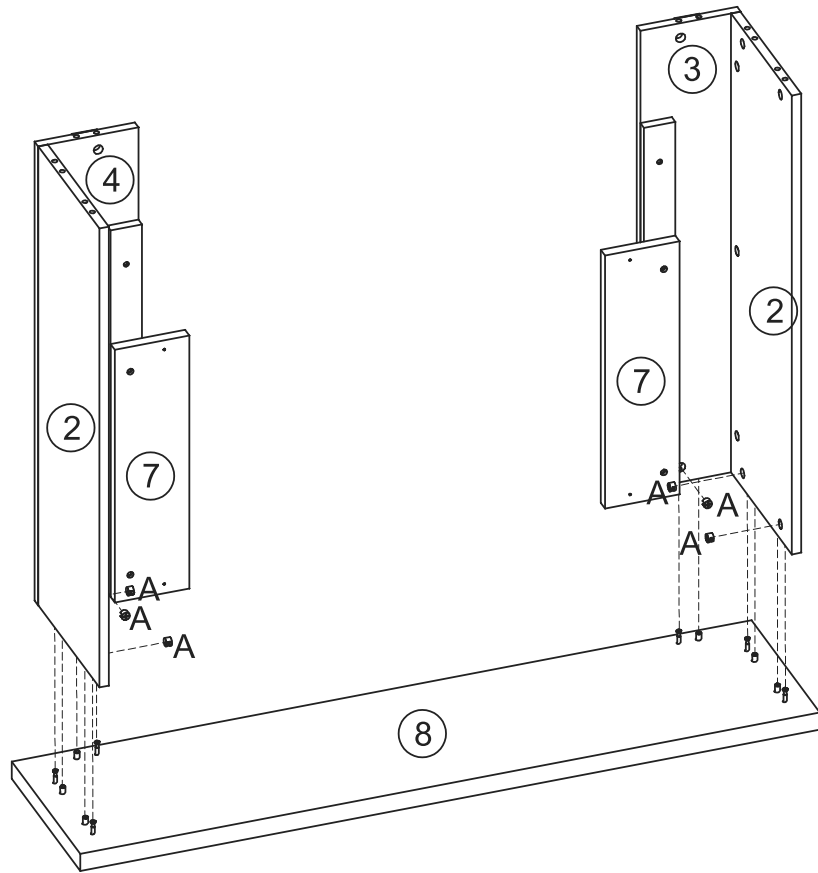
Step 4

B		6
C		6




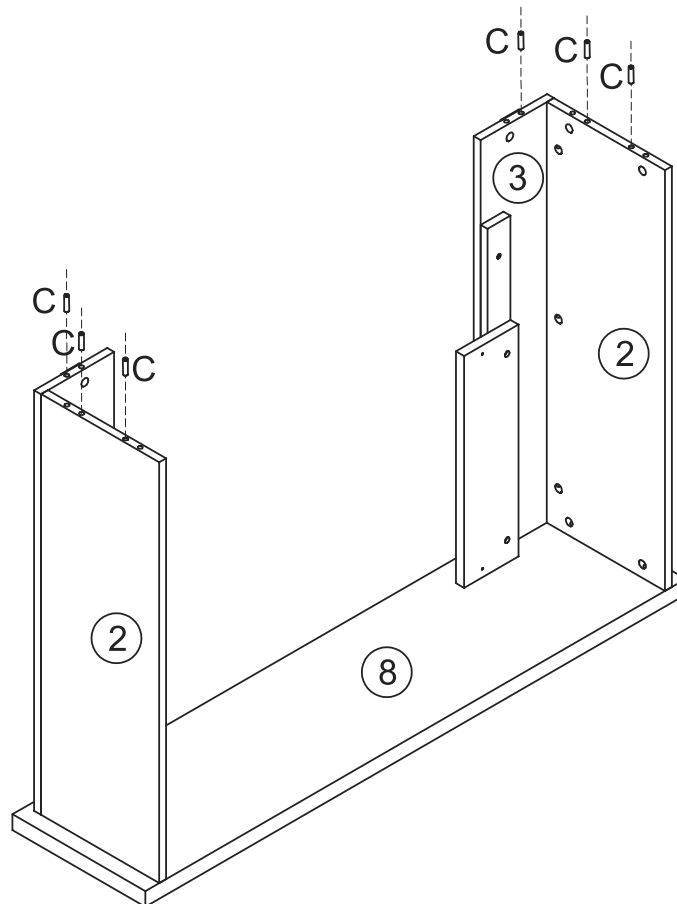
Step 5

A		6
---	---	---




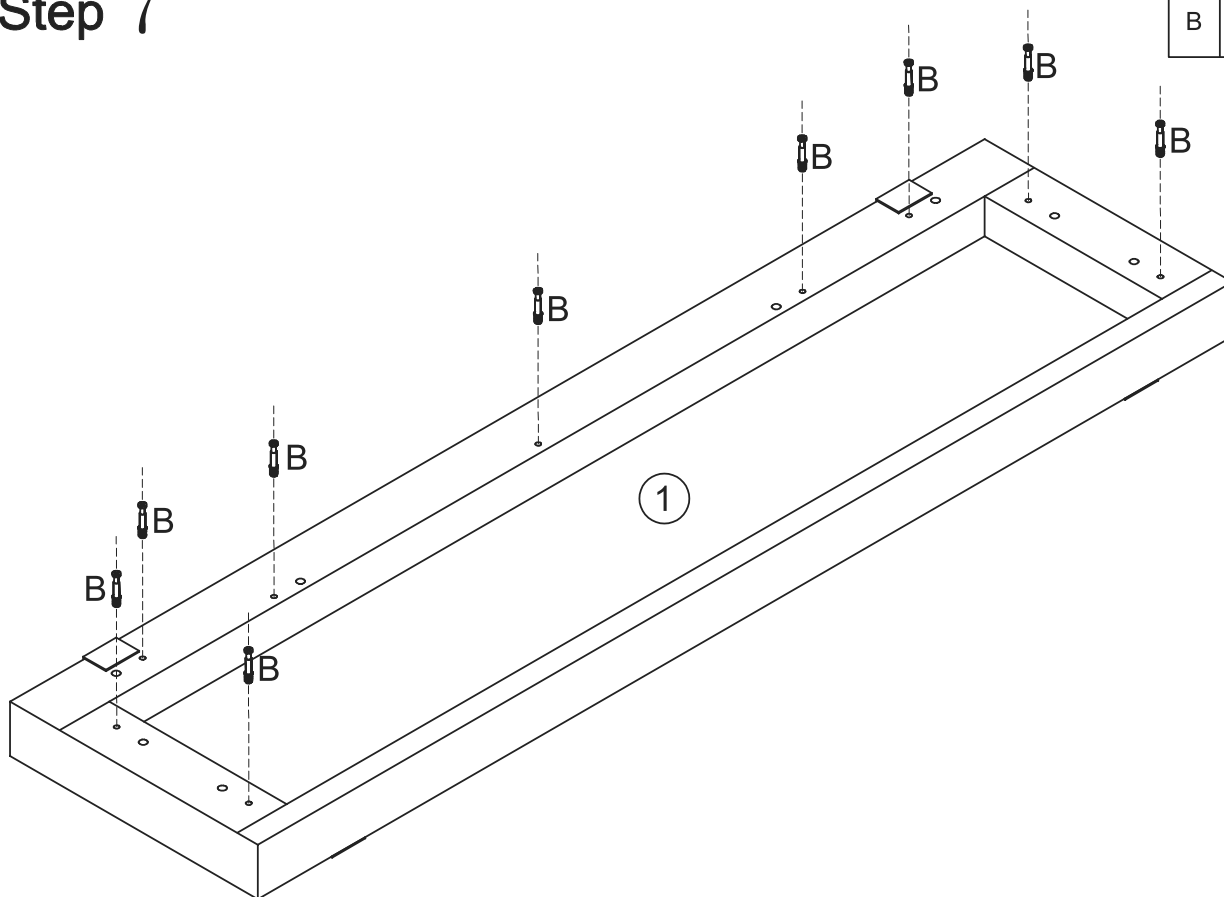
Step 6

C		6
---	---	---





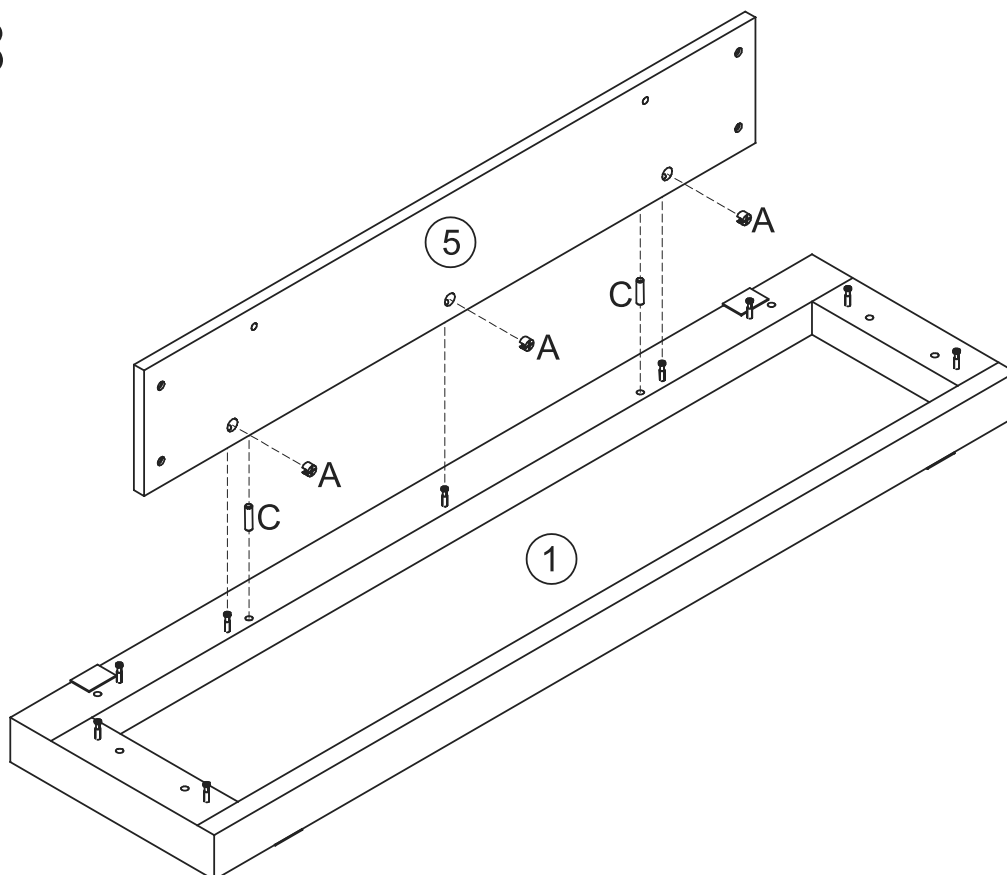
Step 7

B		9
---	---	---




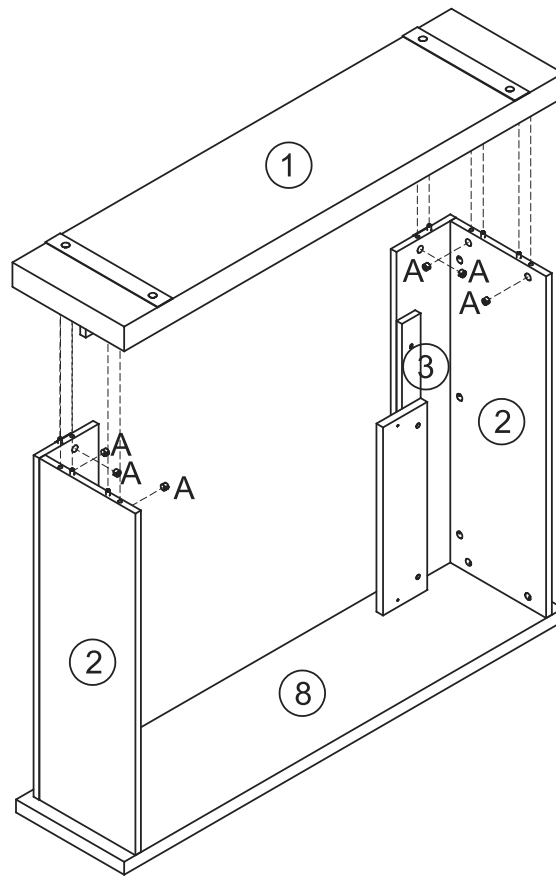
Step 8

A		3
C		2




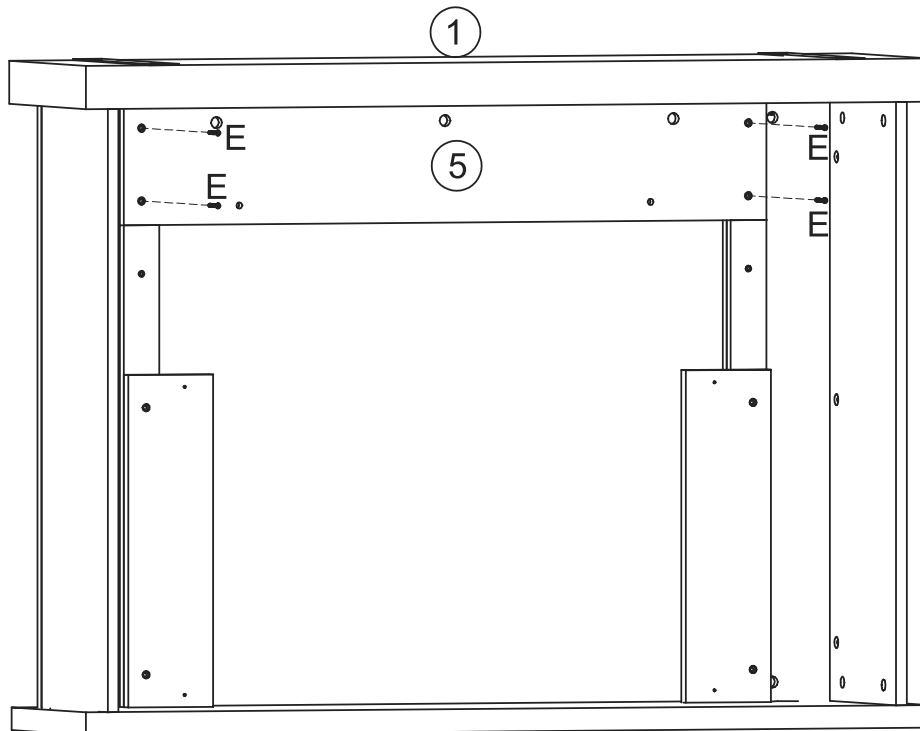
Step 9

A		6
---	---	---

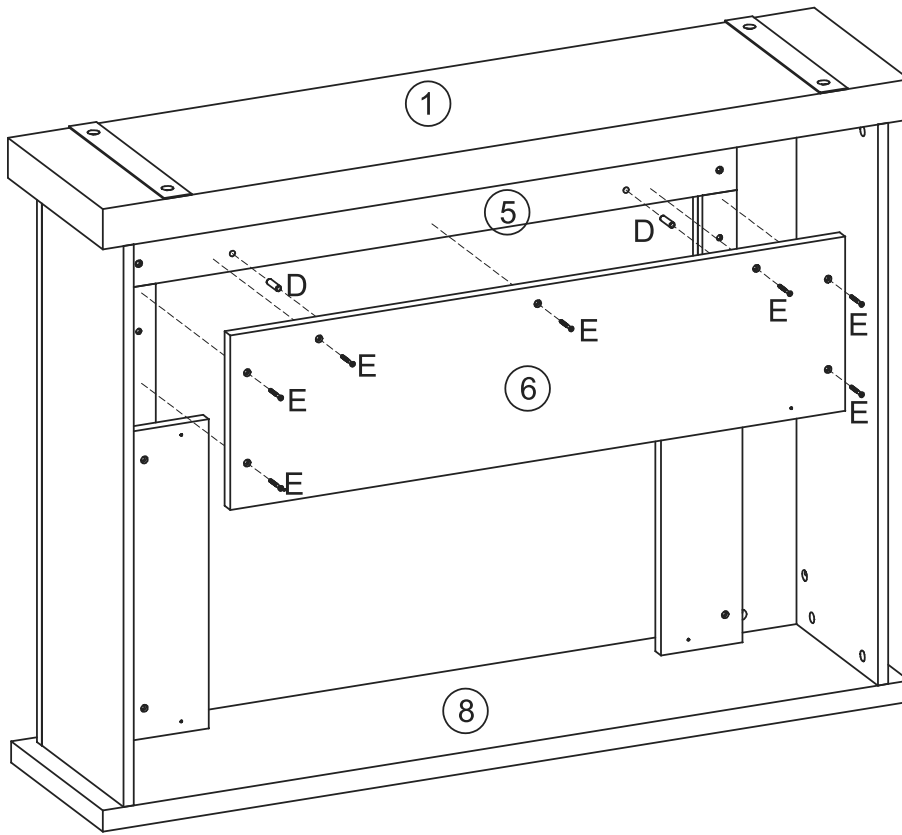




Step 10

E		4
---	---	---

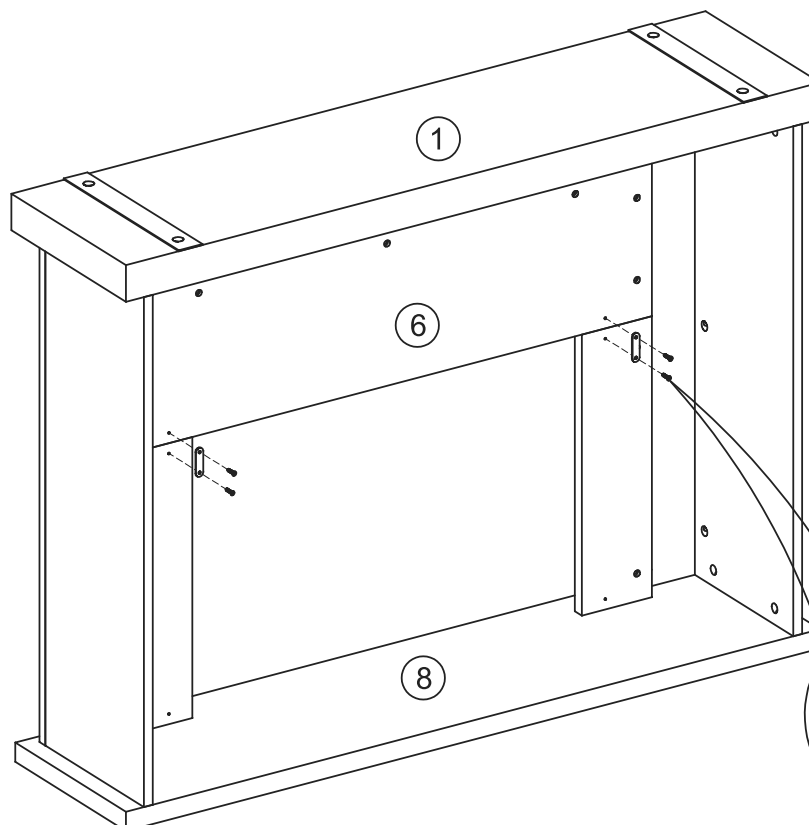




Step 11

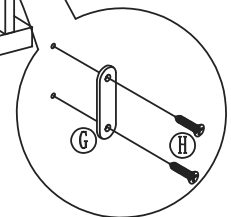


D		2
E		7

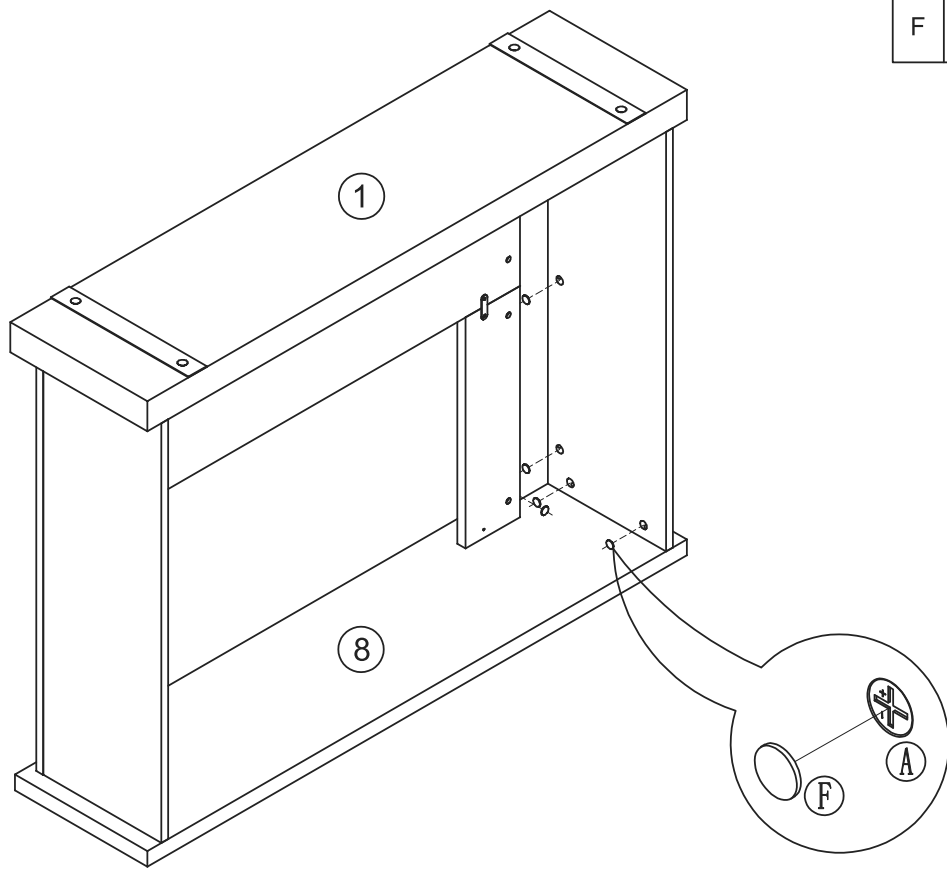
Step 12



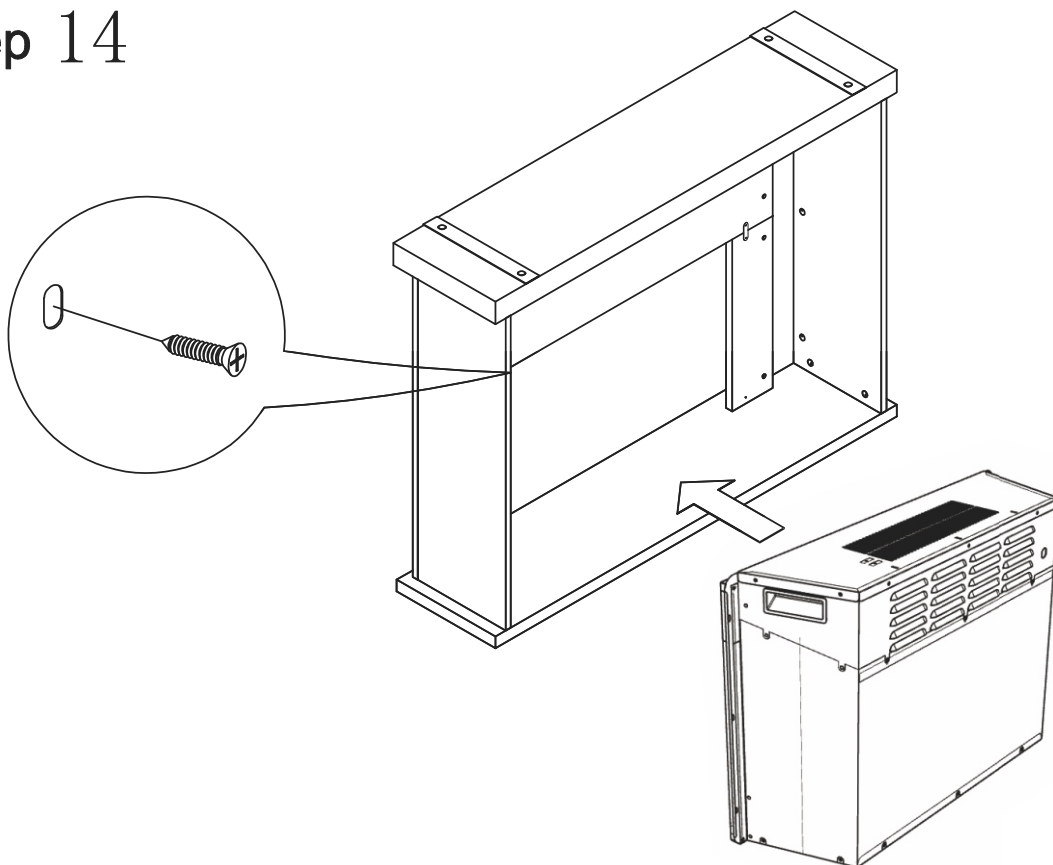
G		2
H		4



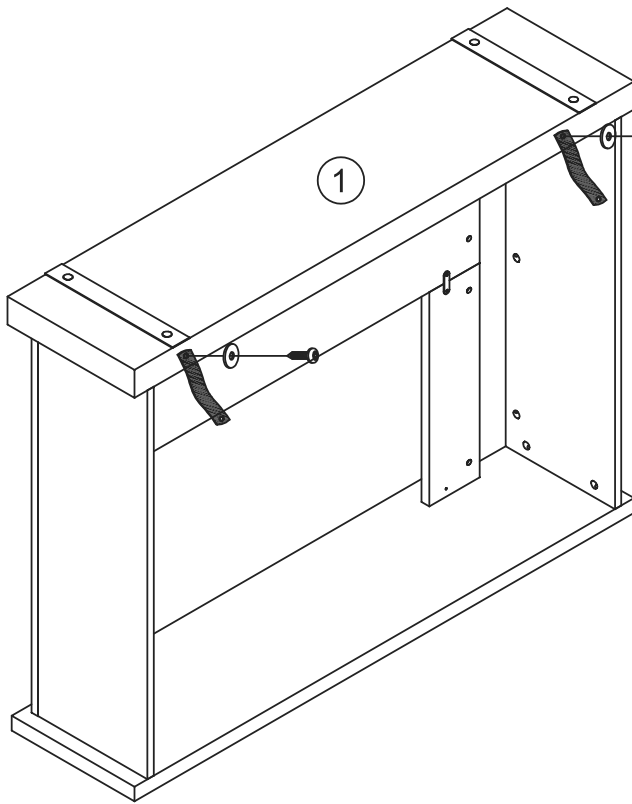
Step 13



Step 14

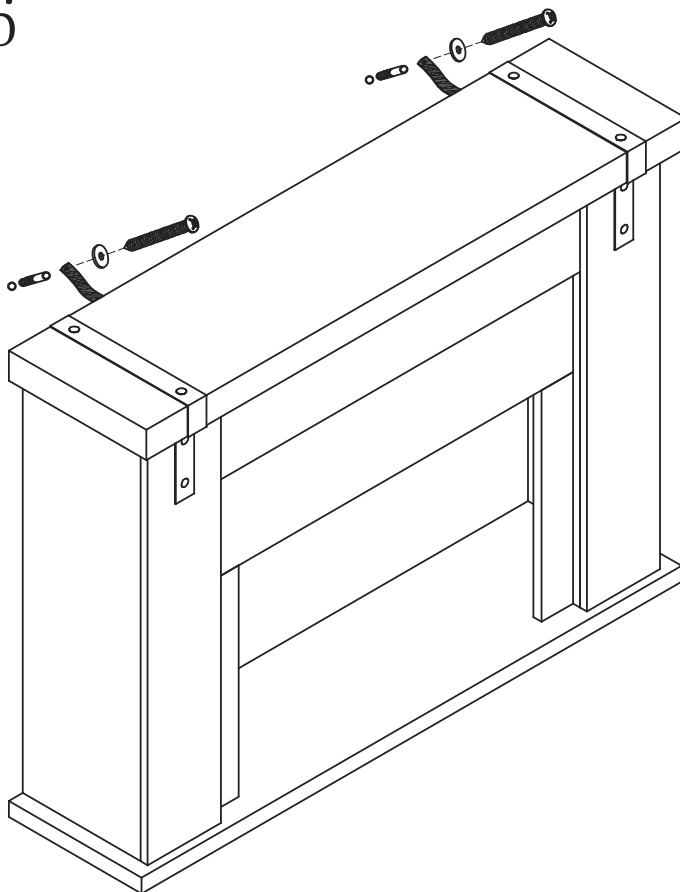


Step 15

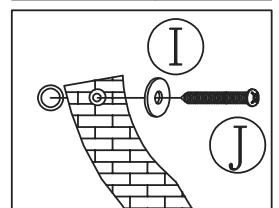
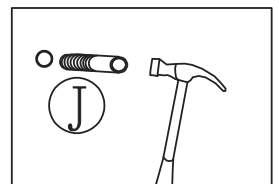
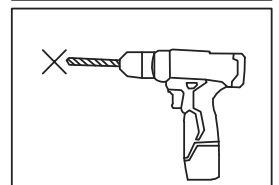
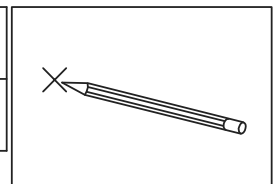


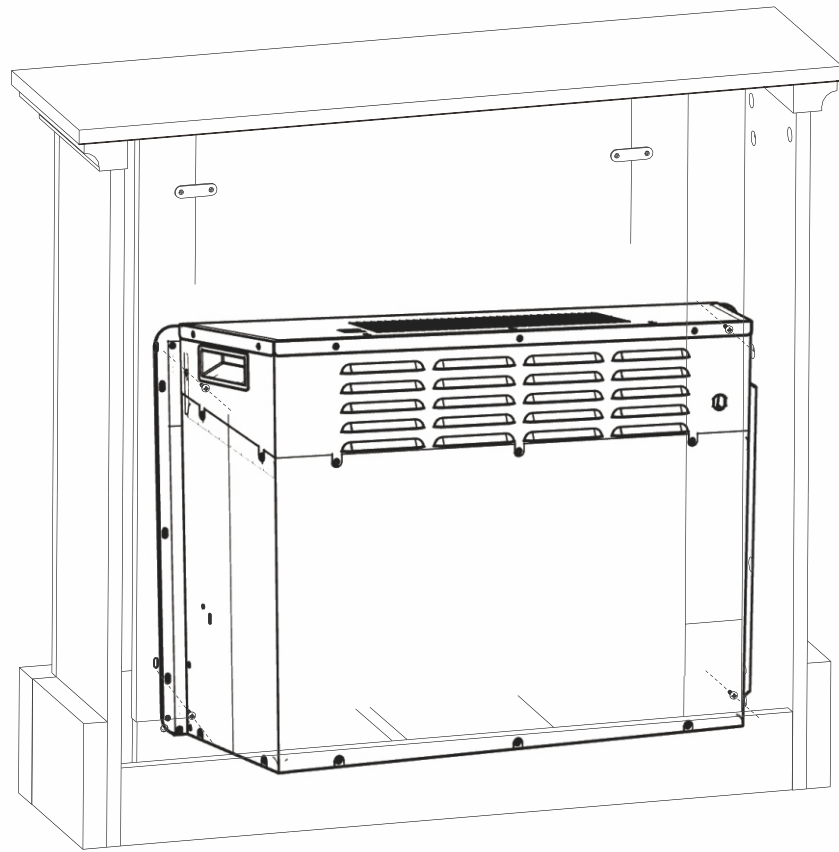
I		2
I		2
I		2

Step 16



J		2
I		2





FIREPLACE INSTALLATION

If you decide to install the fireplace into the mantel, carefully set the unit from the back of the mantel and center it in the opening.

Check the alignment and attach the unit to the mantel by inserting screws through the drilled holes on the trim to the mantel.

NOTE: Do not attempt to install the unit from the front of the mantel. It will not fit.

Prevent toppling
Installed anti-toppling can prevent toppling.

