





Thank you for supporting our mission to create a greener planet through reforestation. Before starting, please make sure all pieces listed in this manual are complete. And save this manual for future reference.

When assembling, we recommend placing all wooden parts on a soft, clean and flat surface to avoid scratches and damage while assembling your brand new MasayaCo piece.

Need any assistance?
Feel free to contact our Customer Service Team.

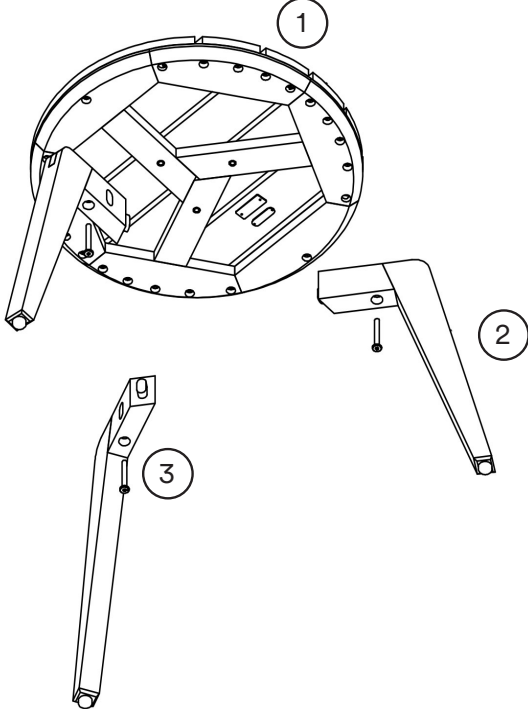
(615) 953 - 9373,
customerservice@masayacompany.com
or using our chat on www.masayacompany.com

⌚ 15 Min 👤 1 person 🔑 Allen Hex Key

ID	Description	Qty	Reference
1	Table Top	1	
2	Solid Wood Legs	3	
3	Perno Decorative Heat Bolt 13mm x 50mm (2 in)	3	
4	Allen Hex Key	1	

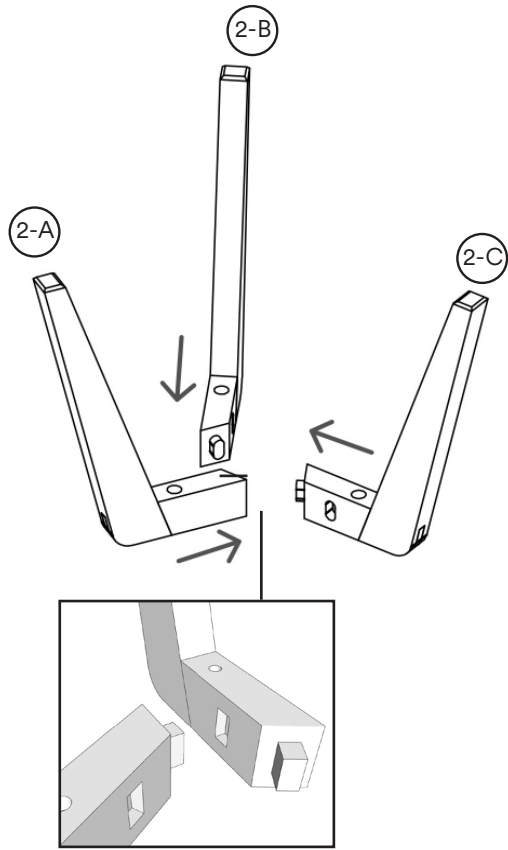
Step 1

Lay out all the pieces on the floor in their corresponding order.



Step 2

Connect the 3 leg pieces, making sure these fit with each other.



Step 3

Center the bolt holes on the legs with the hole holes in the Table top. Screw the legs into the center of the table using the Allen hex key

