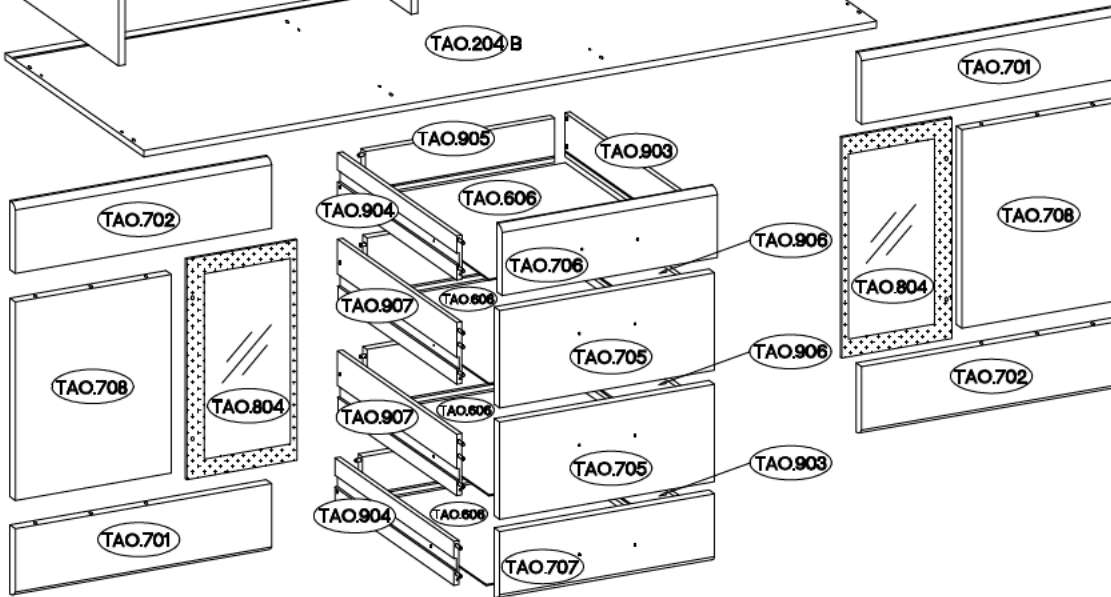






max.
2kg

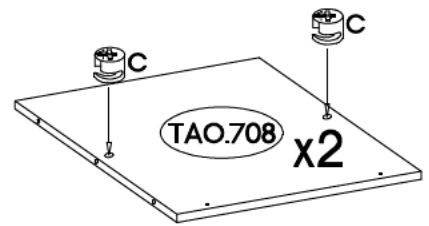
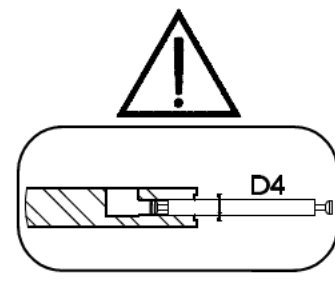
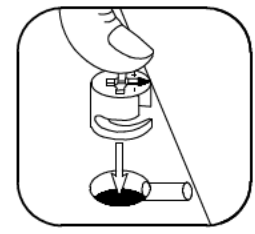
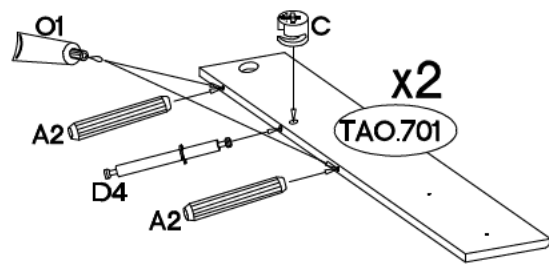
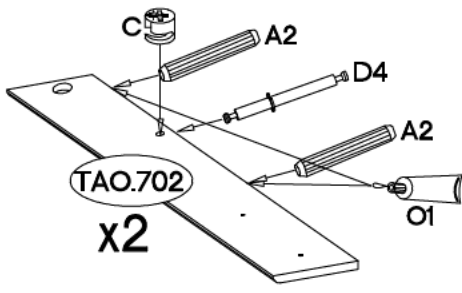
max.
10kg




L2	O7	L9	H									
10	1	1	4									
P7	M2	I4	U1	A2	O11	J23	R11	J7	D4	P5	J12	G
10	16	4	8	8	1	10	4	4	4	9	8	4
D2	C	A	L	E	F10	P14	S1	R2	B2			
16	24	48	10	16	6	6	6	12	8			

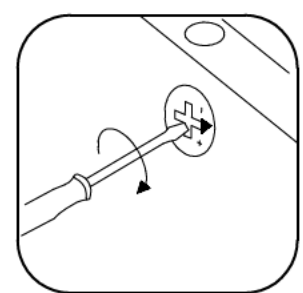
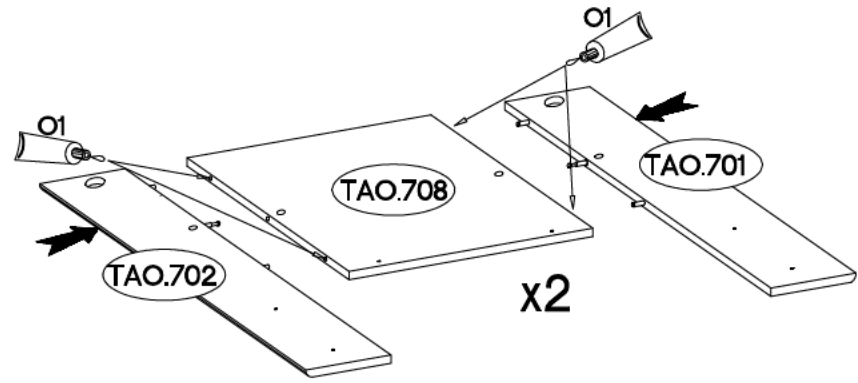
1

 #15/12mm C	 #8x60mm A2	 0,05 O11	 L-56mm D4
8	8	1	4







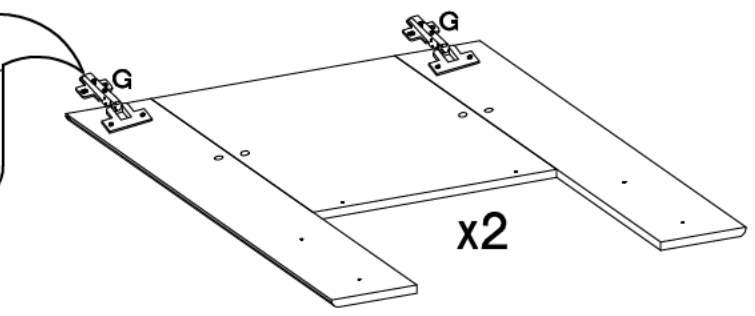
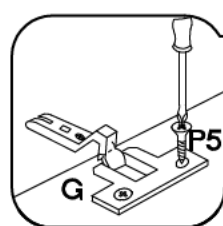
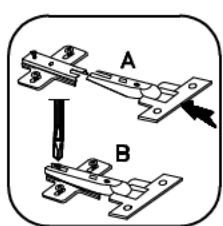
2

 0,05 O11
1

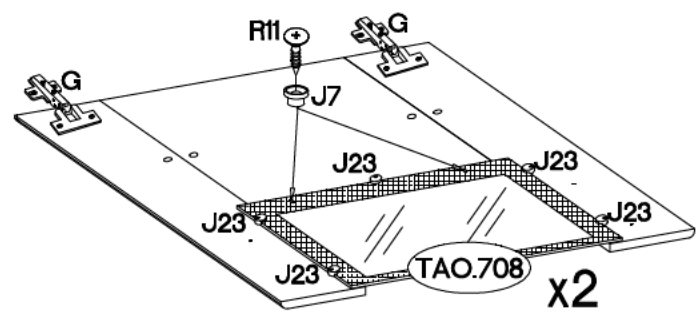
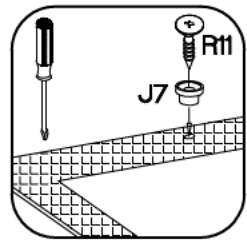
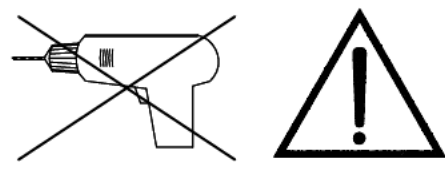
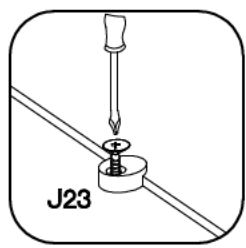






3

 #35/0mm G	 H-0 H
4	4
 #3.5x13mm P5	 H
8	4

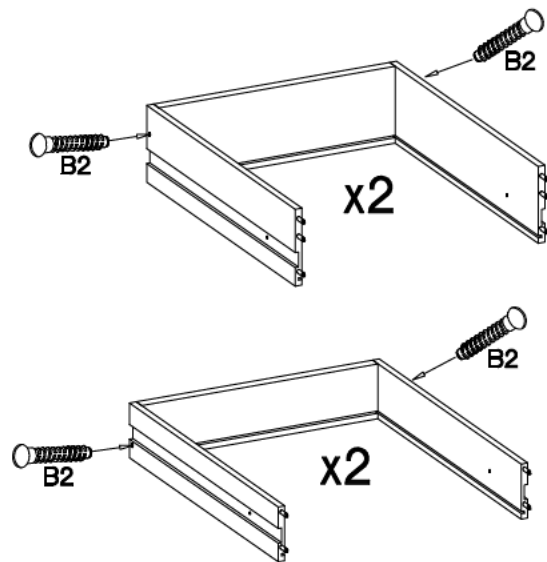
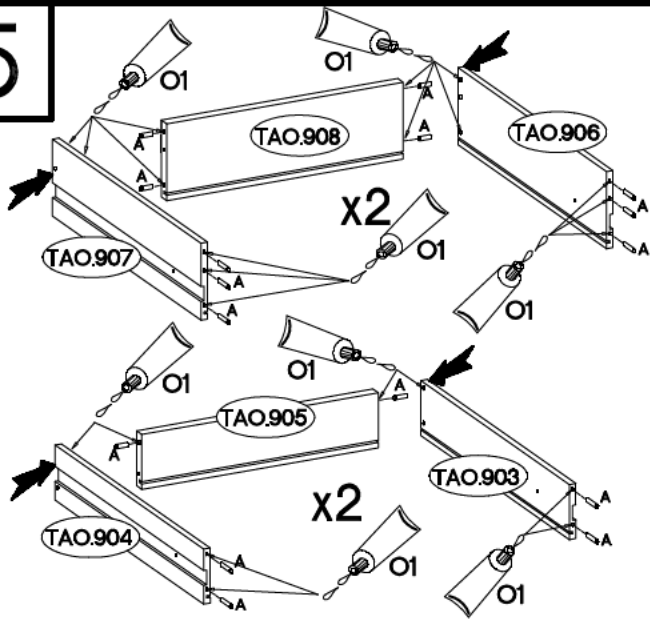


4



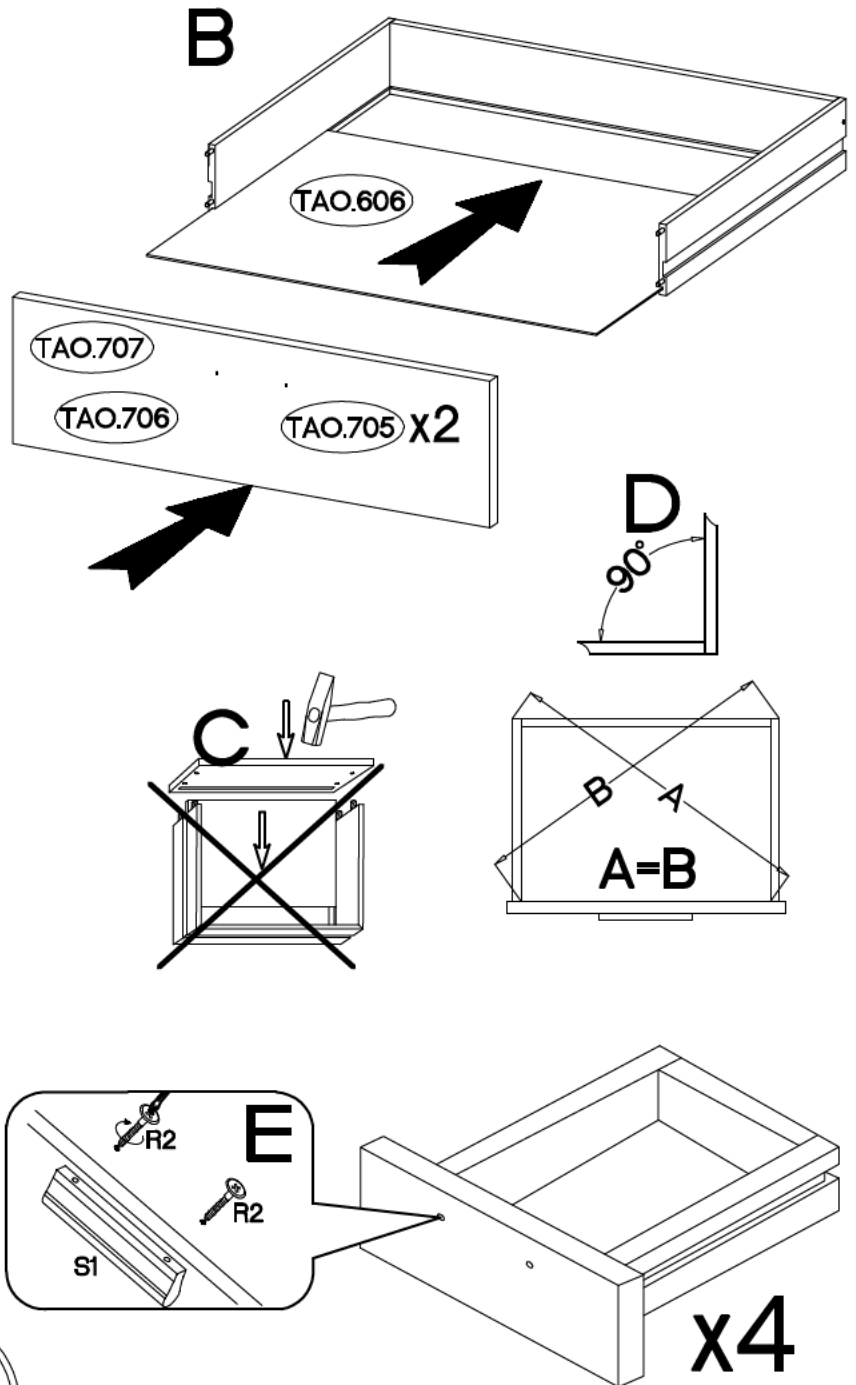
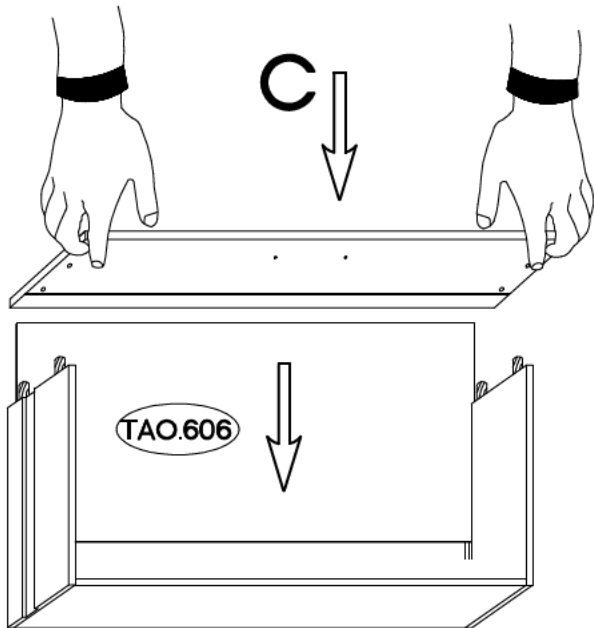
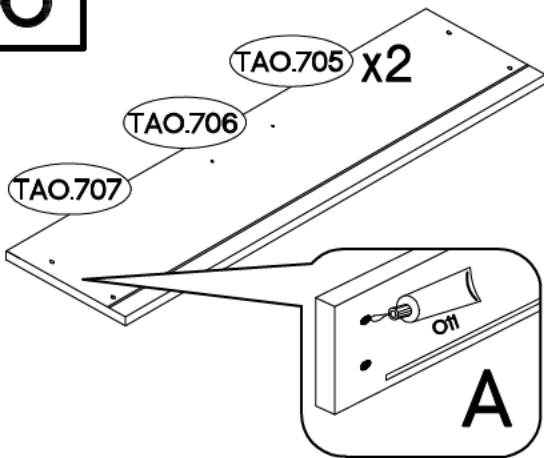
 J23	 #4.0x16mm R11
10	4
 #7/4mm J7	 H
4	4

5










0,05		O11
1	+6x42mm	
8	+8x30mm	
32		A

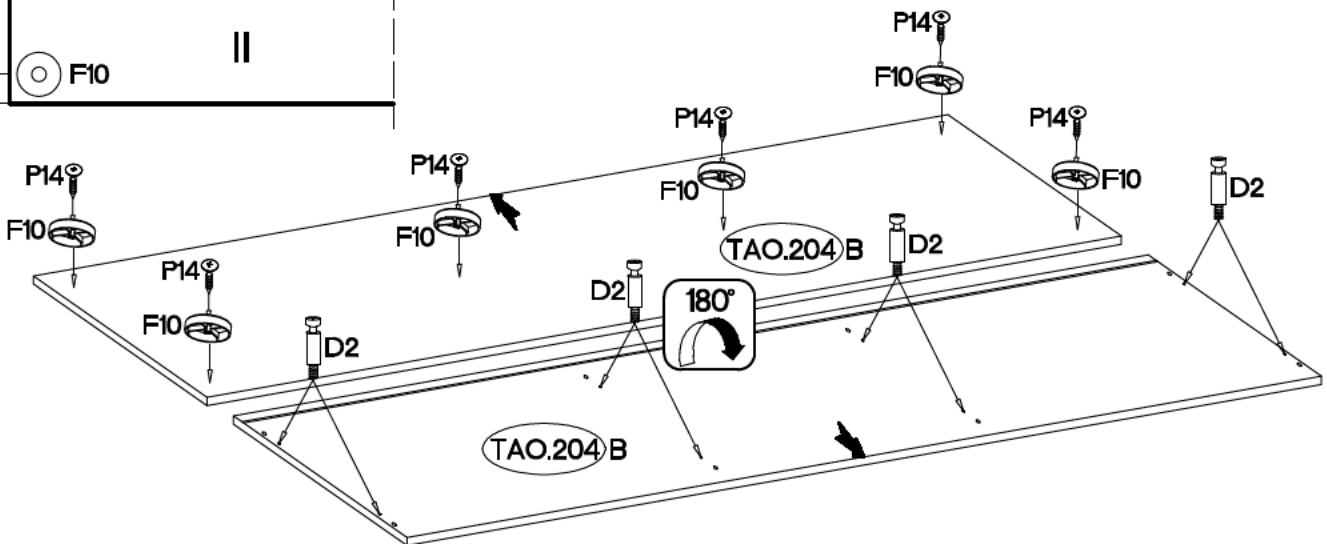
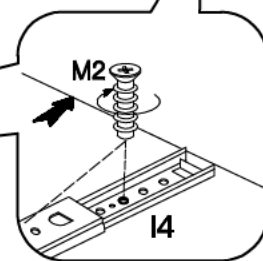
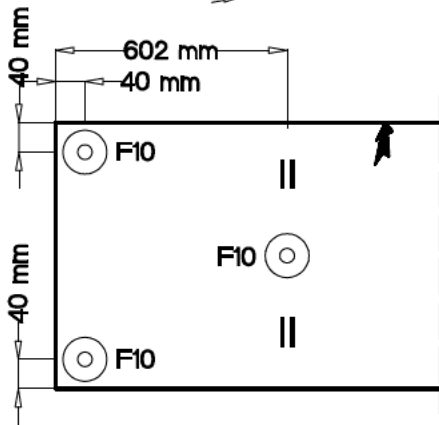
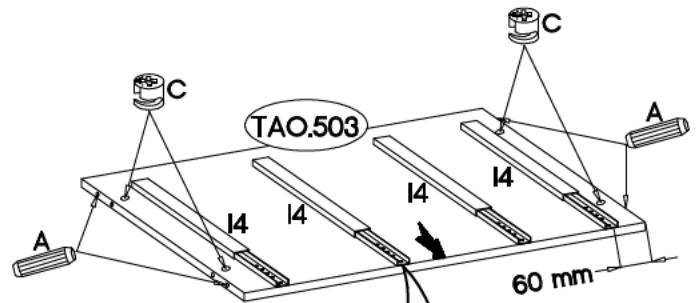
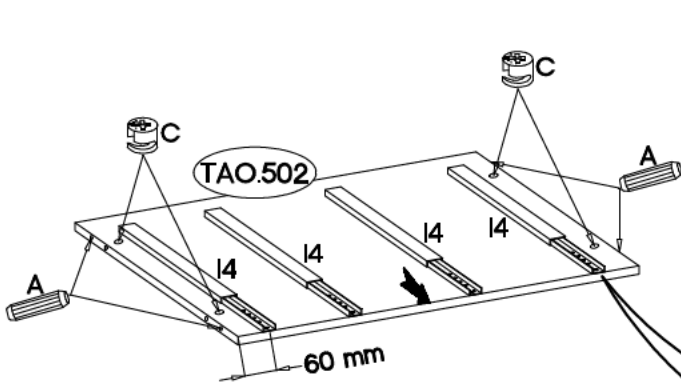
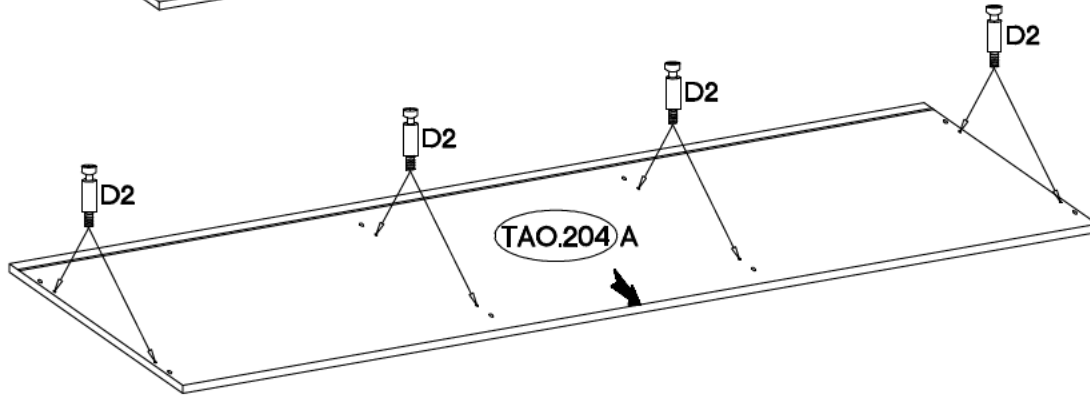
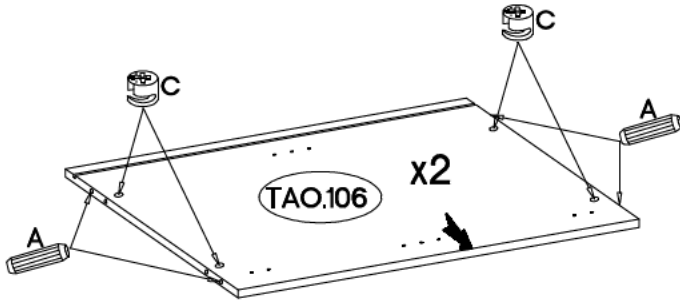
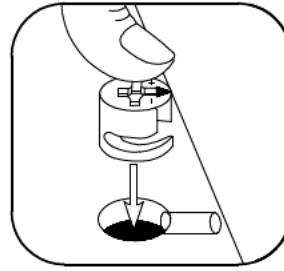
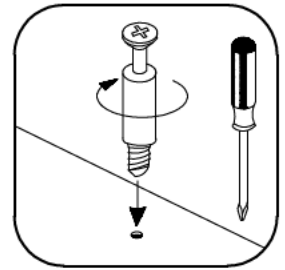
6



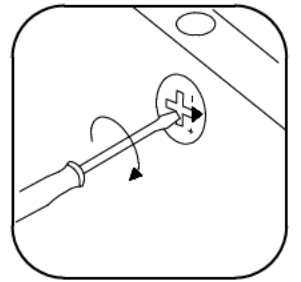
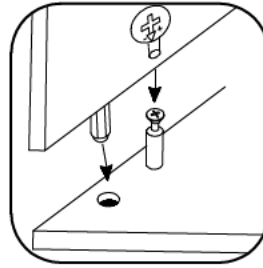
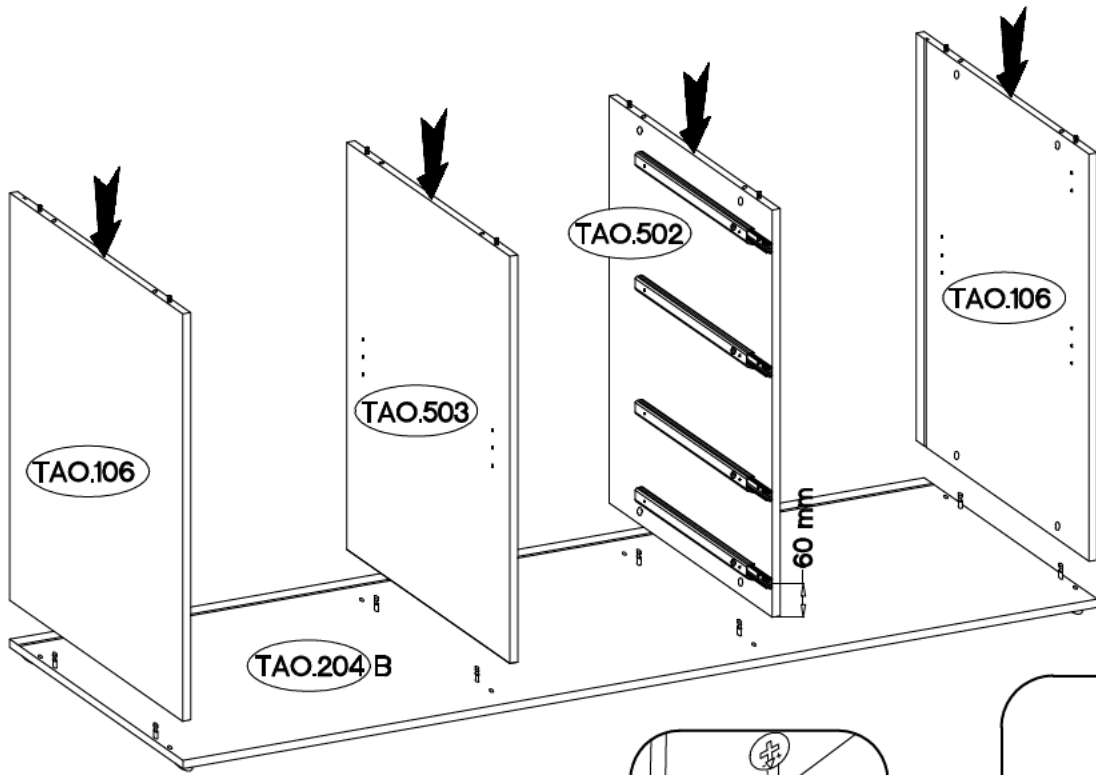
L=128mm	+4.0x30mm	0,05
S1	R2	O11
4	8	1



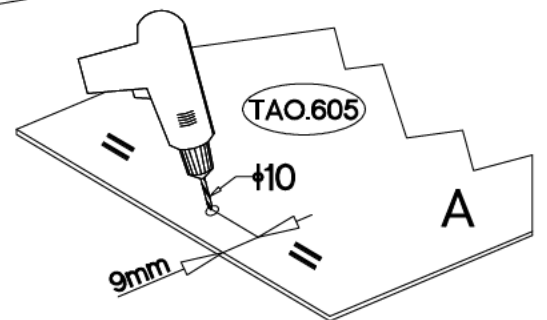
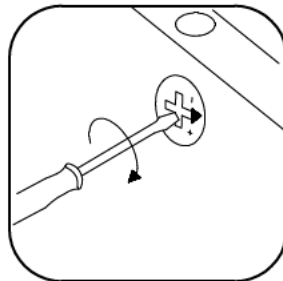
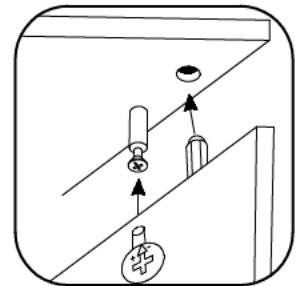
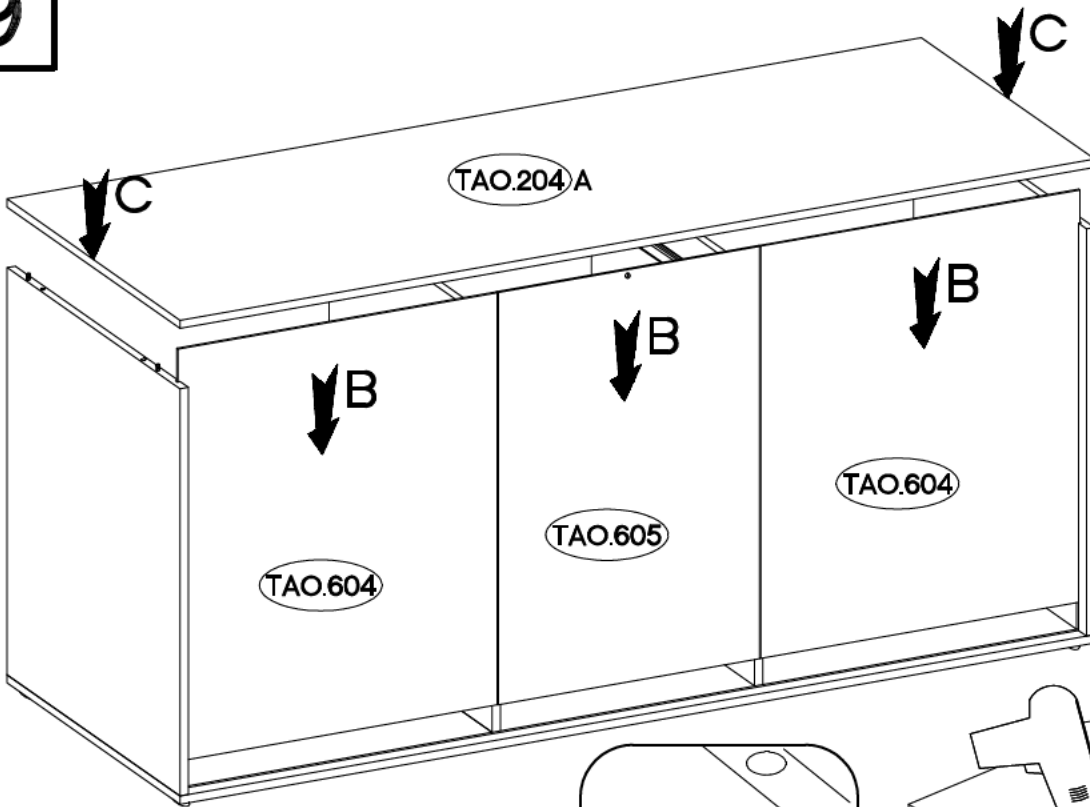
L=20mm  D2 16	ø15/12mm  C 16	ø8x30mm  A 16	 F10 6	ø4.0x25mm  P14 6	ø6.3x13mm  M2 16	27/30mm  I4 4
--	---	--	--	---	---	--



8



9



10

Ø3.0x20mm



P7

10



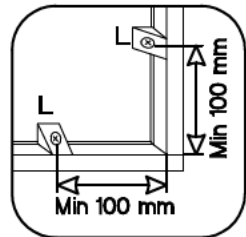
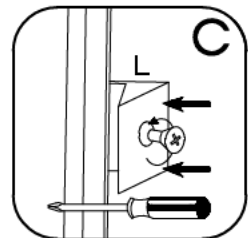
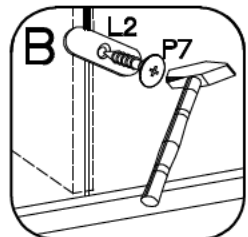
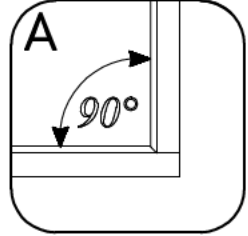
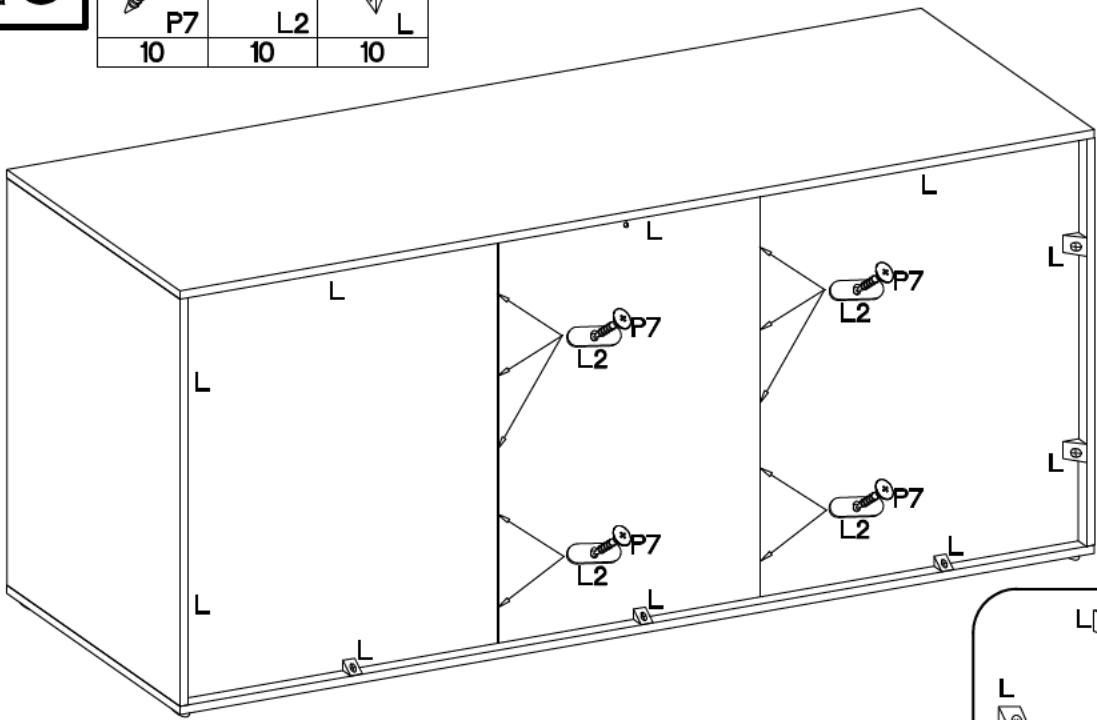
L2

10

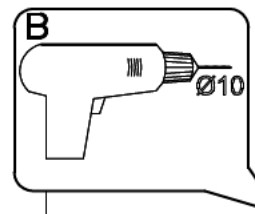
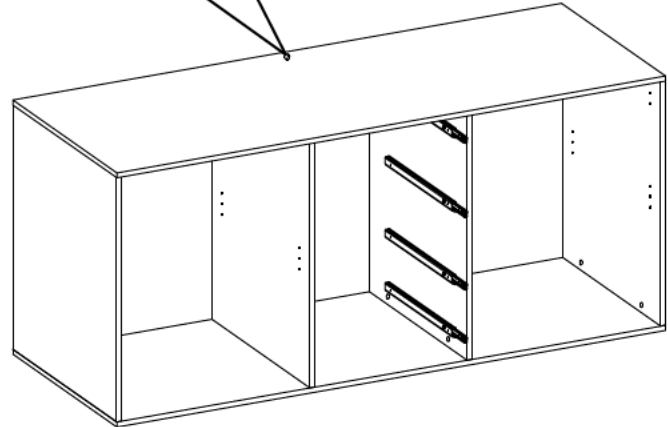
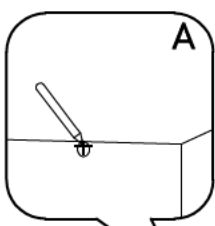


L

10



11



Ø3.5x13mm



P5

1

Ø10x50mm



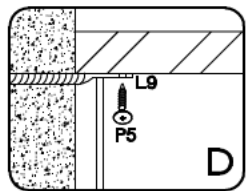
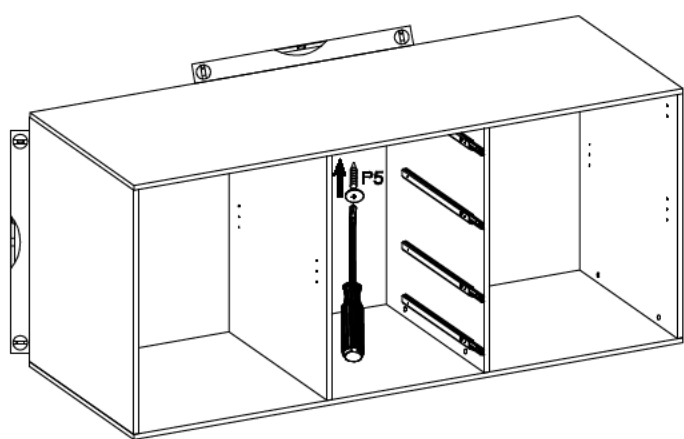
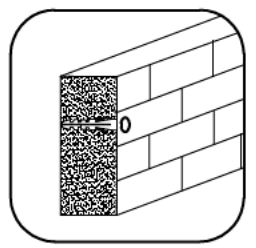
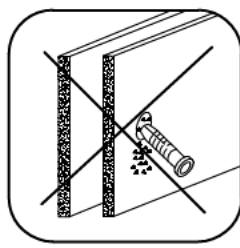
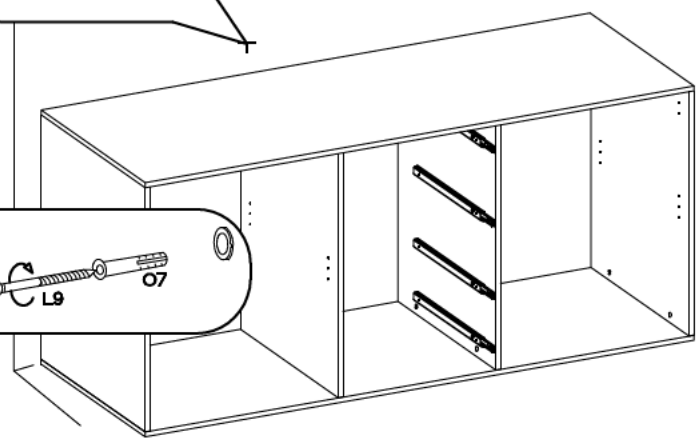
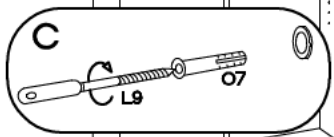
O7

1



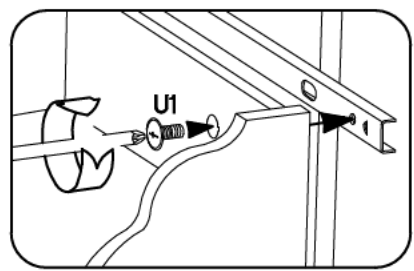
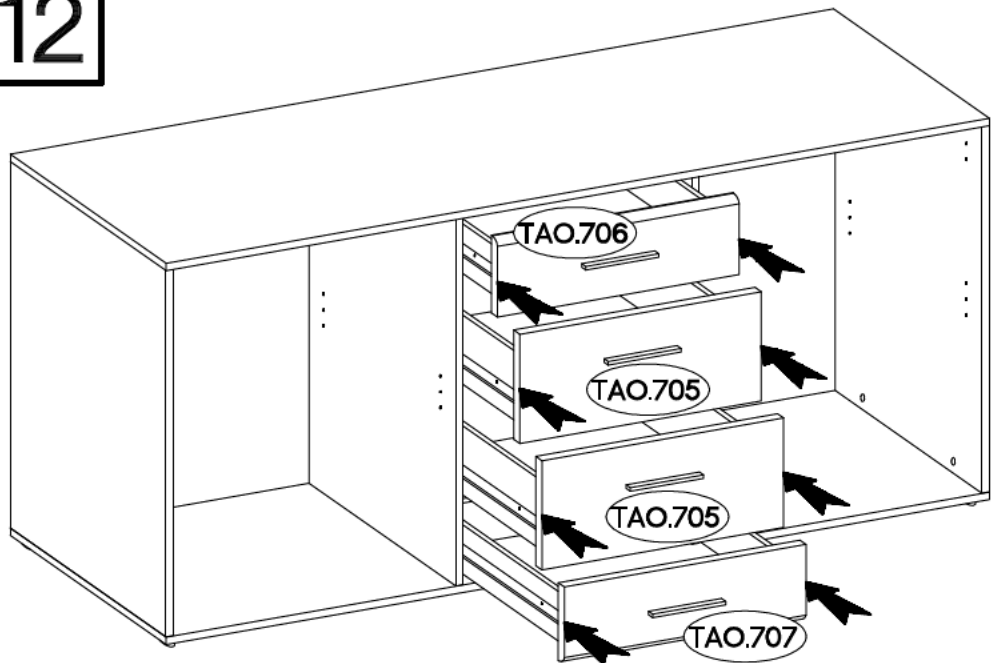
L9

1

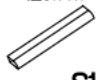





12

M4x9mm
U1
8



13

L=128mm	4.0x30mm		
			
S1	R2	E	J12
2	4	16	8

