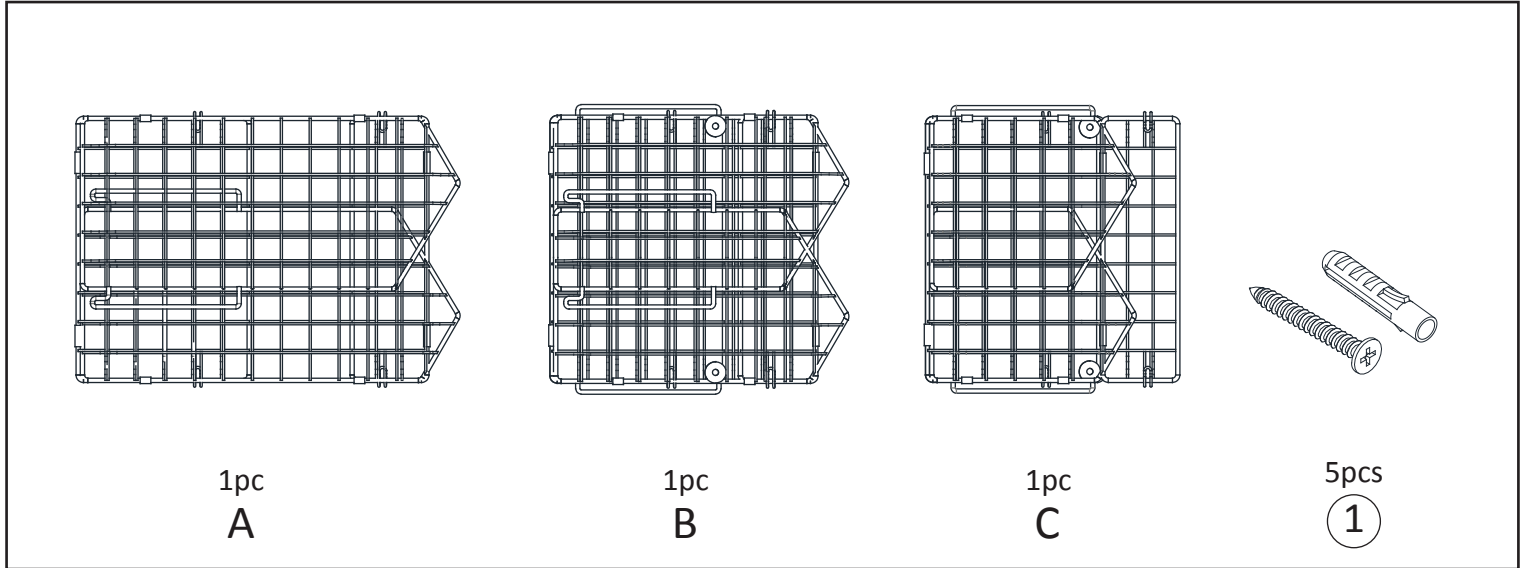


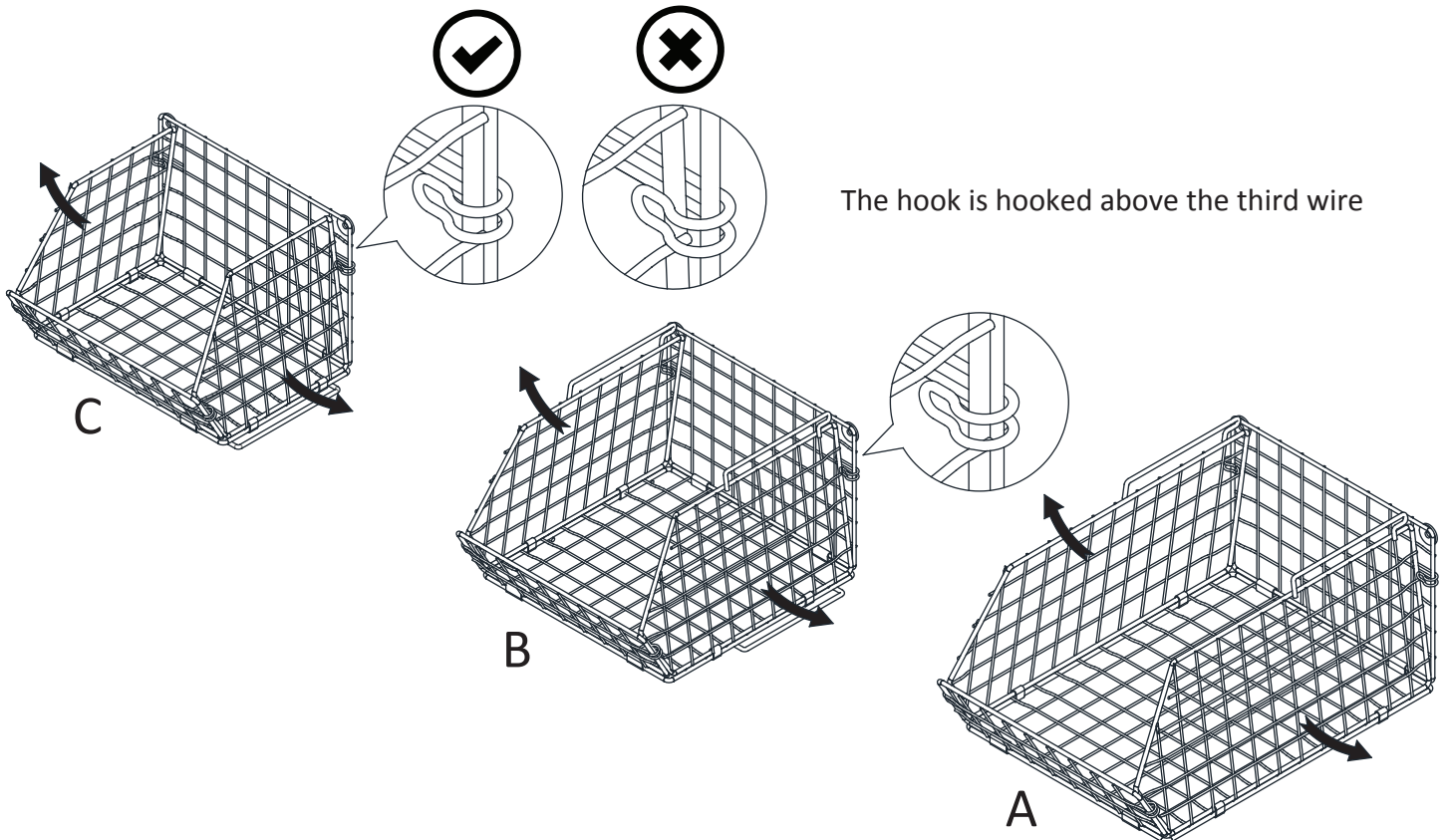
Assembly Instructions

Parts Included



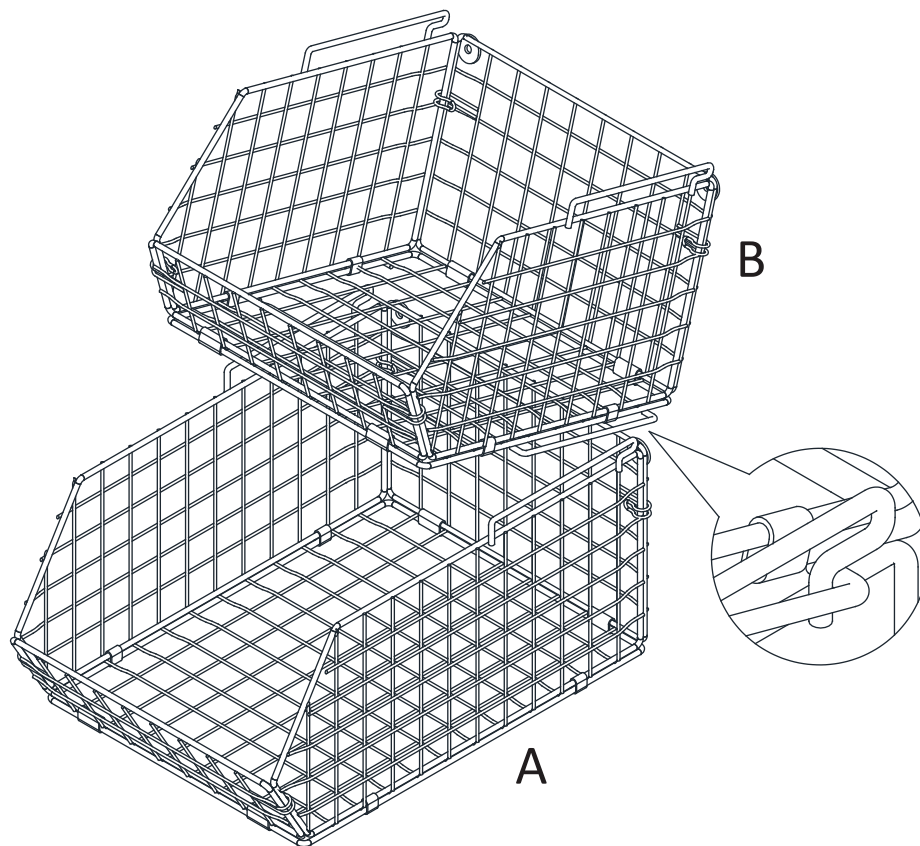
Installation steps

1. Assemble the rack as shown, no screws required.



The hook can adjust the tightness by yourself, when you feel that it is not loose/tight enough.

2. The basket B is tilted and stuck in the wire groove on the top of basket A.
Then, put down basket B.



3. The basket C is tilted and stuck in the wire groove on the top of basket B.
Finally, put down basket C.

