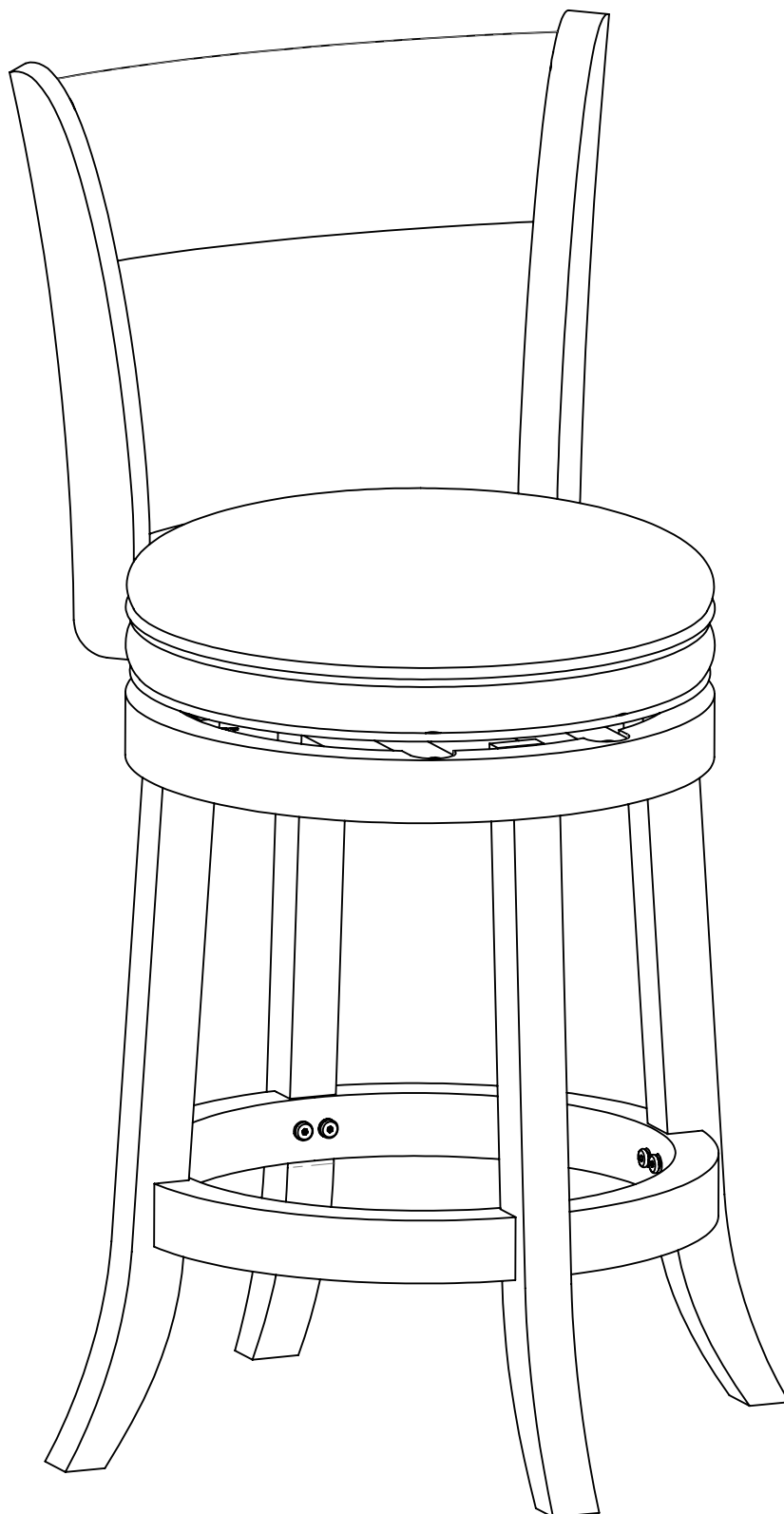
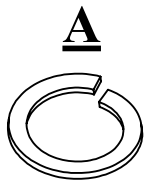


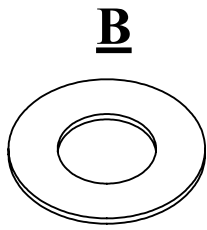
PALMETTO SWIVEL STOOL

ASSEMBLY INSTRUCTIONS

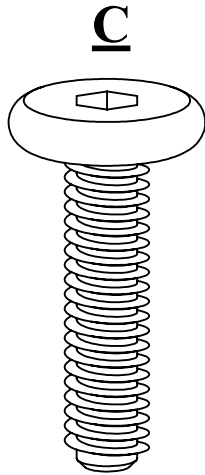




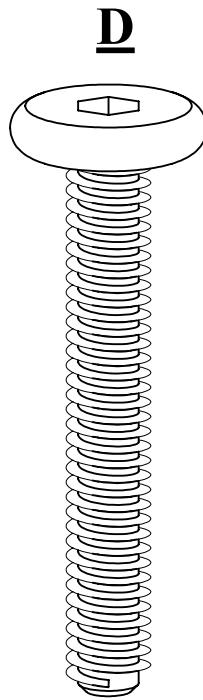
22 PCS



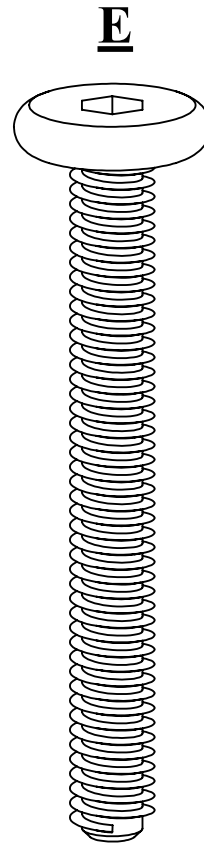
26 PCS



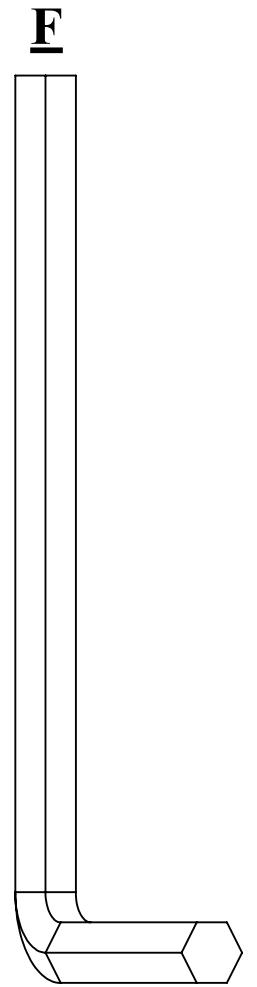
4 PCS



16 PCS

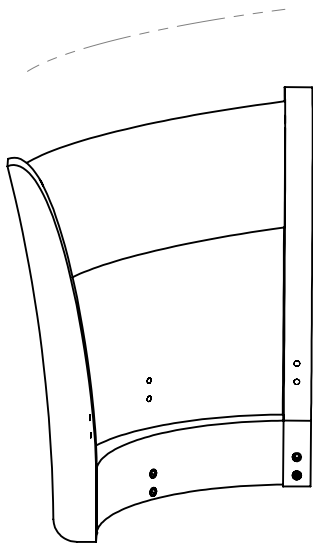


6 PCS

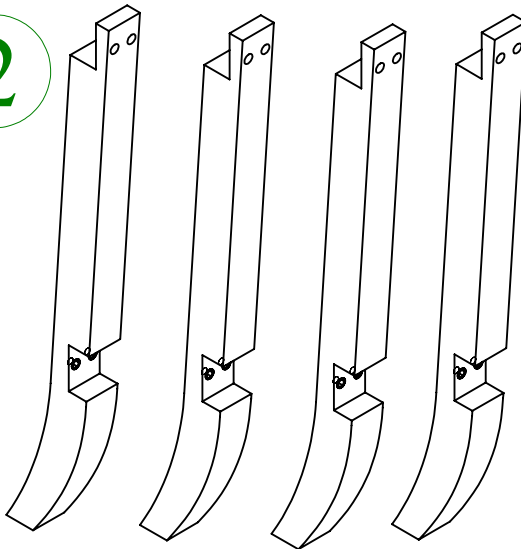


1 PC

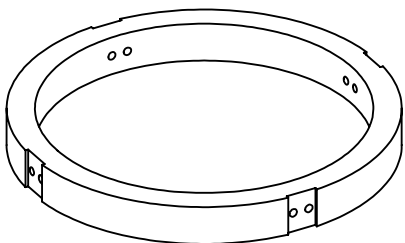
1



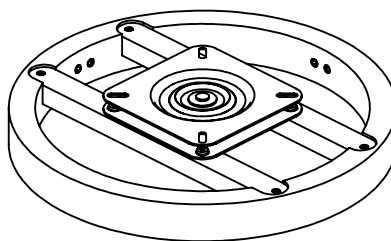
2



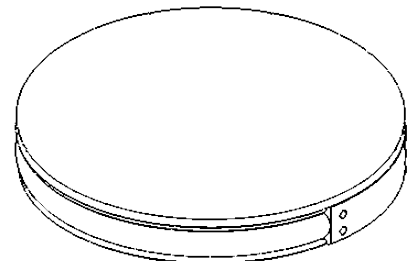
3



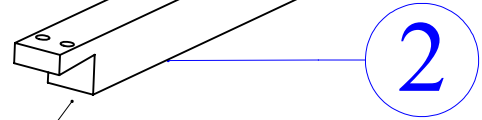
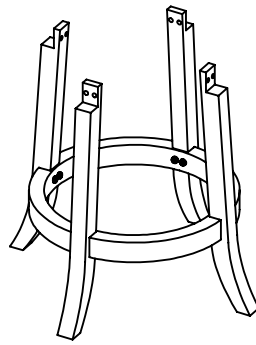
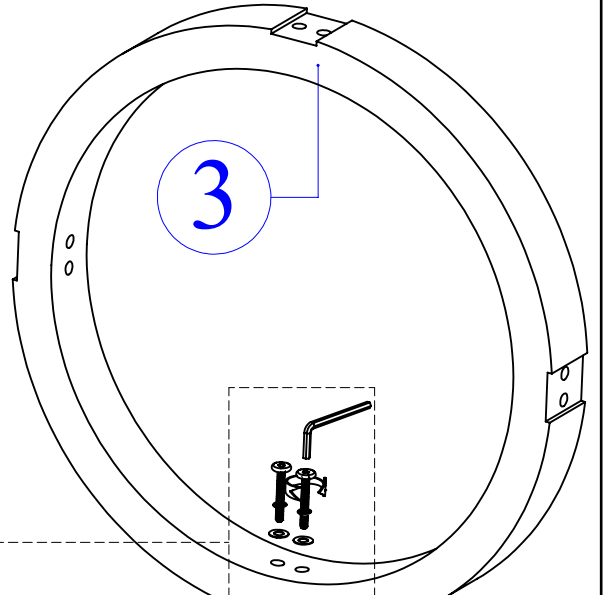
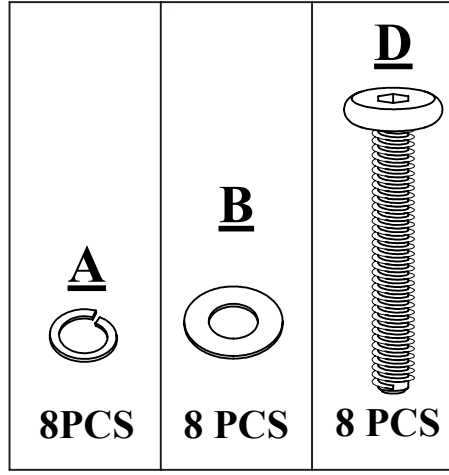
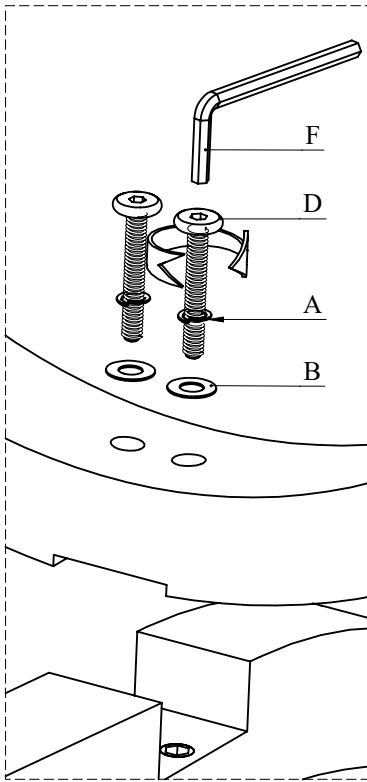
4



5

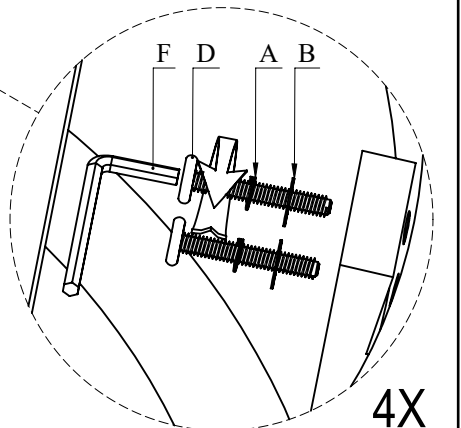
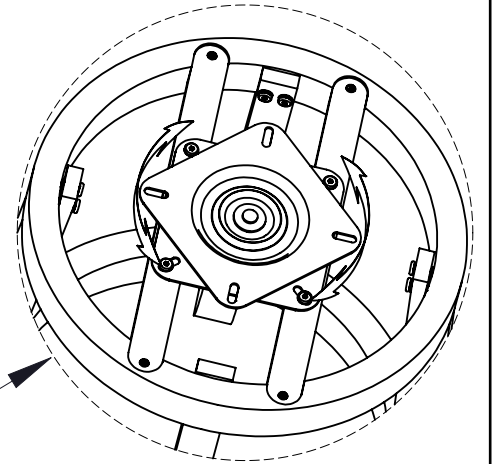
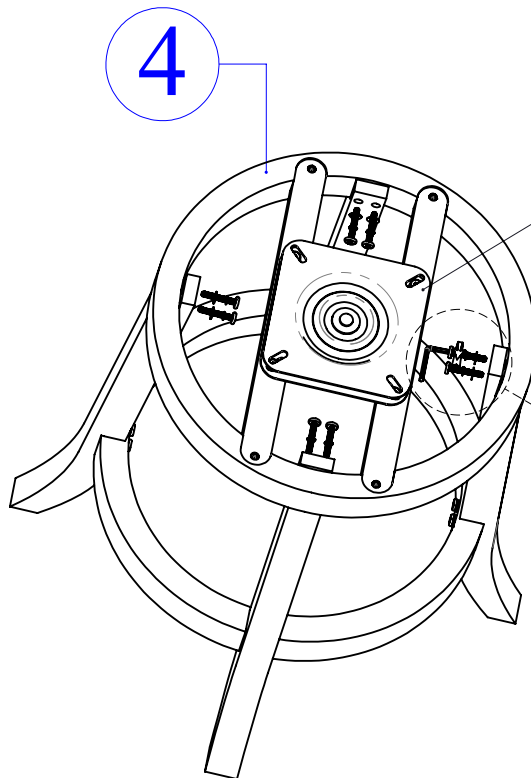
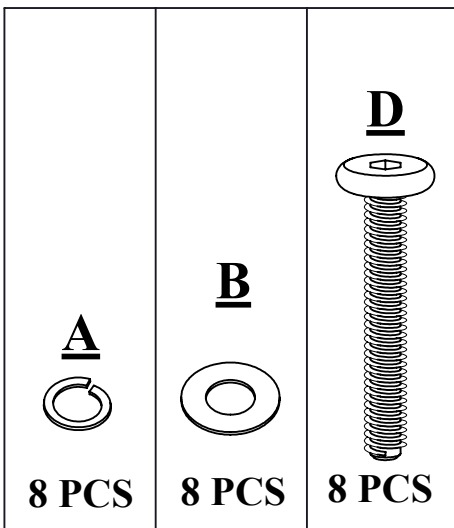


01





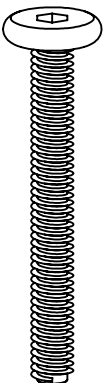
DO NOT TIGHTEN BOLT COMPLETELY.

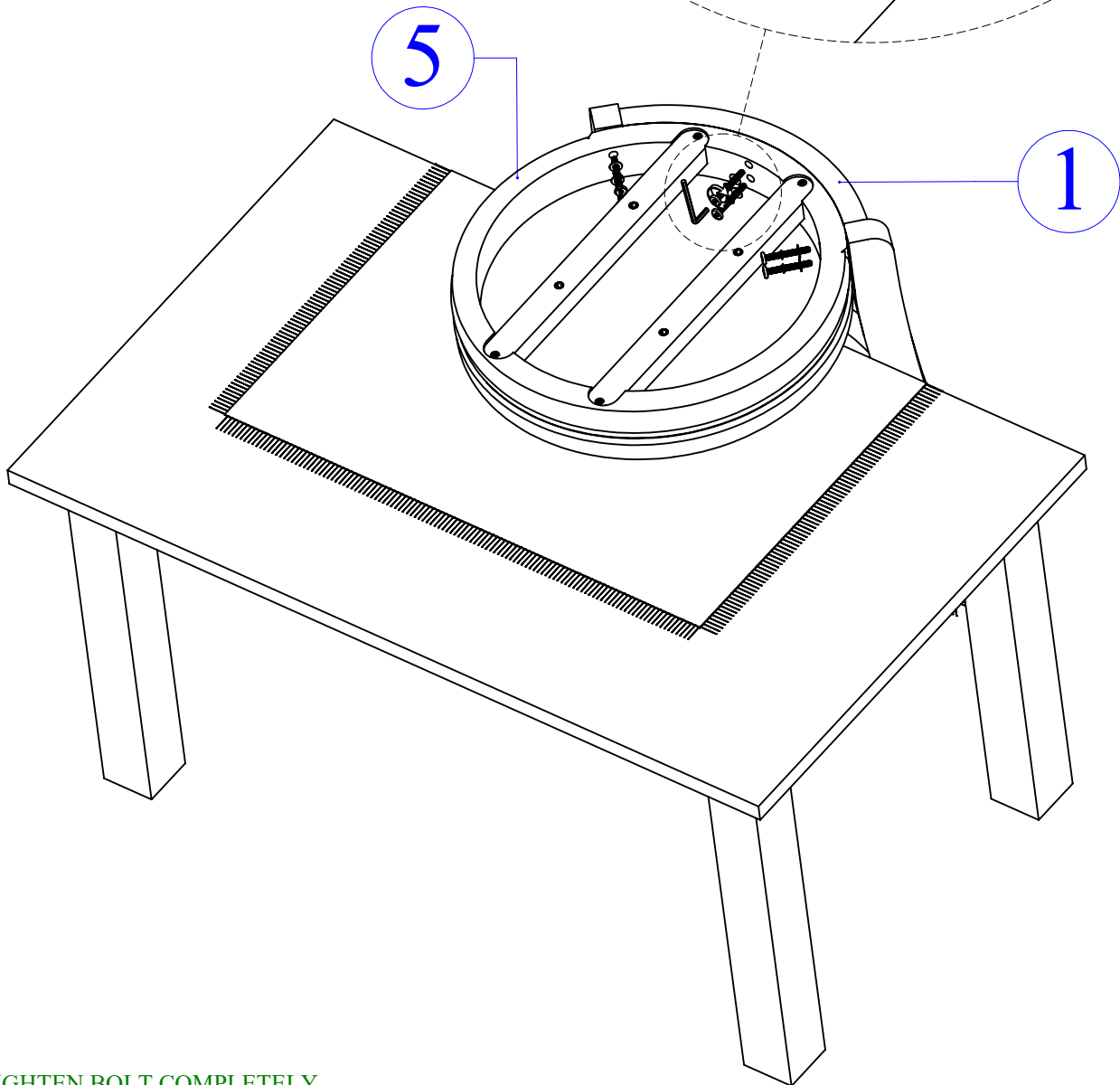
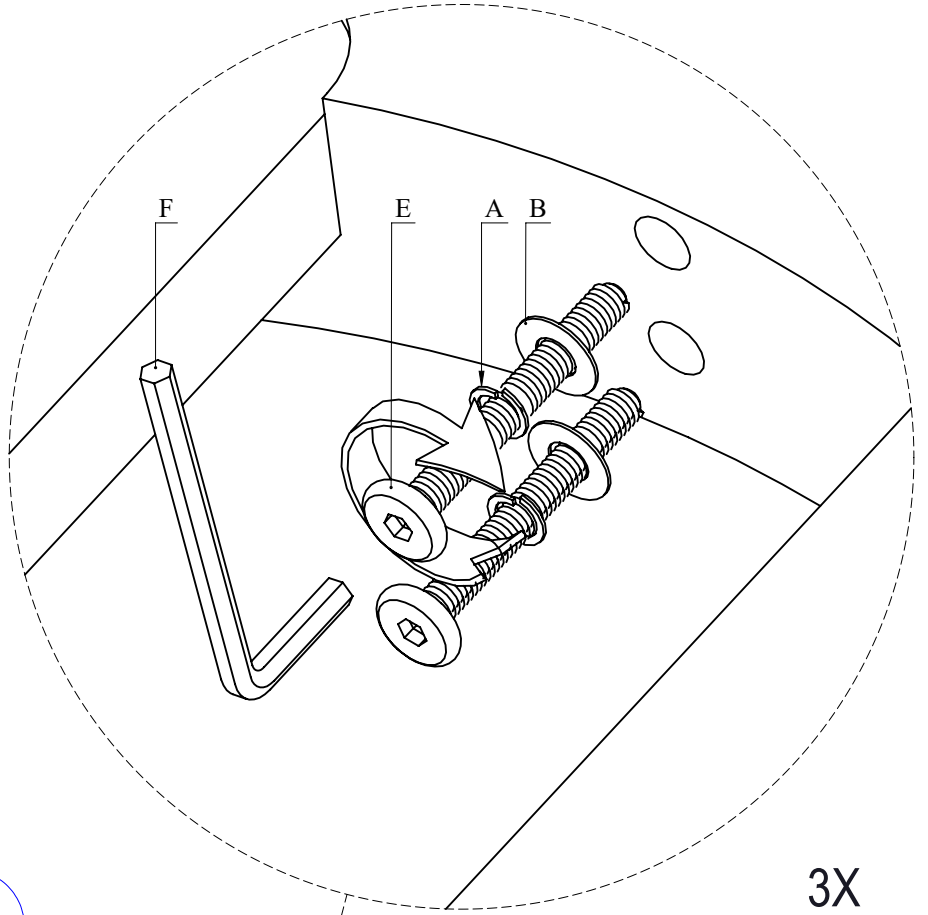
02



TIGHTEN BOLT COMPLETELY.

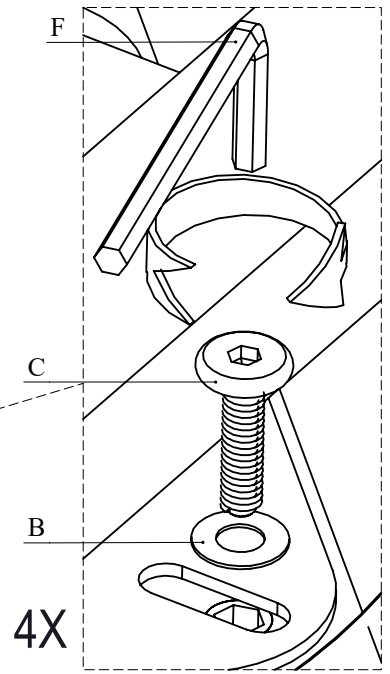
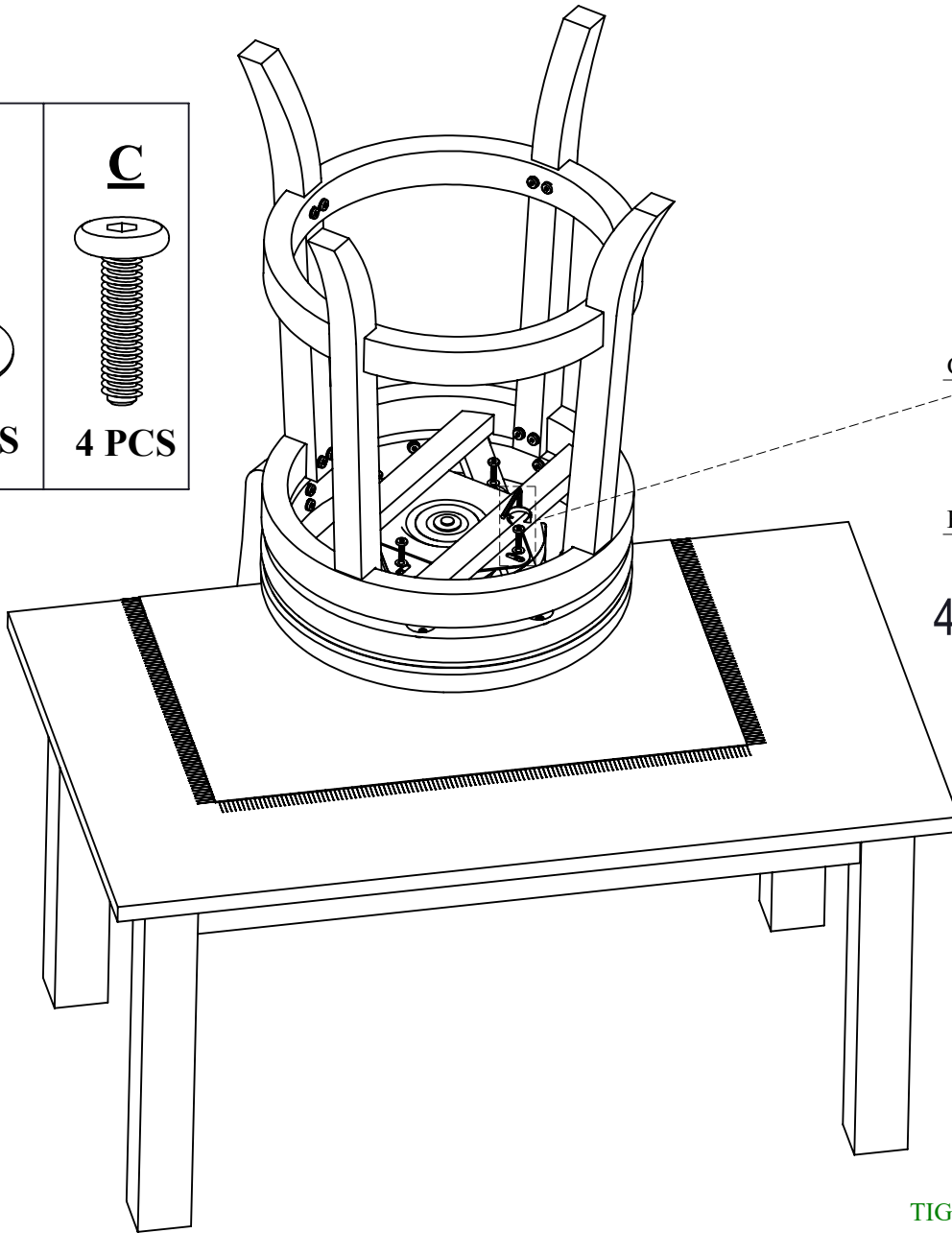
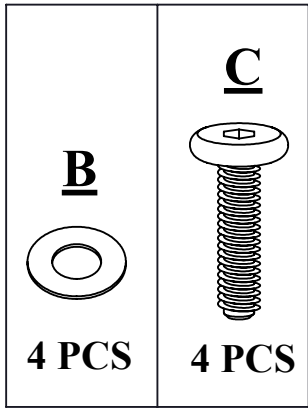
03

A  6 PCS	B  6 PCS	E  6 PCS
--	--	--

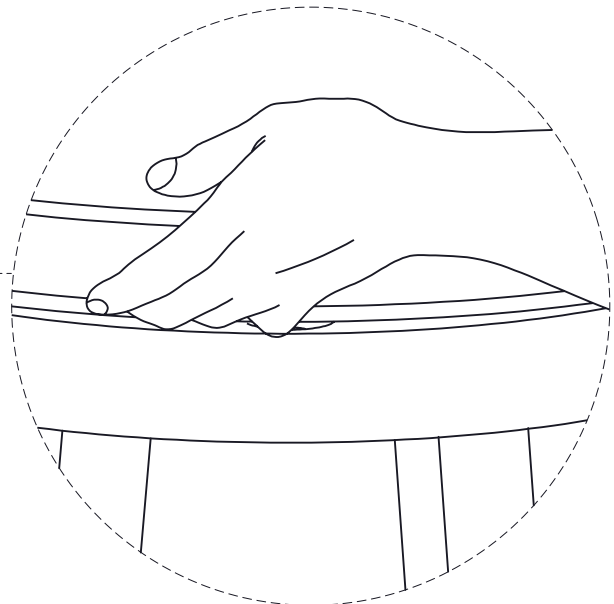
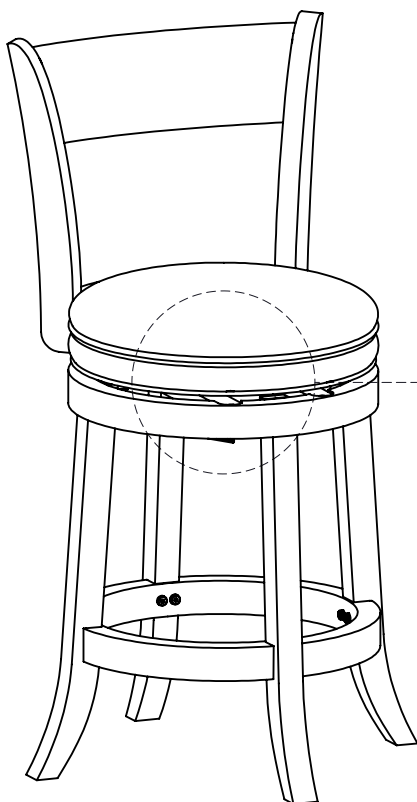


TIGHTEN BOLT COMPLETELY.

04



TIGHTEN BOLT COMPLETELY.



BE SURE TO CHECK ALL BOLTS ARE SECURELY TIGHTENED PRIOR USING THIS STOOL.