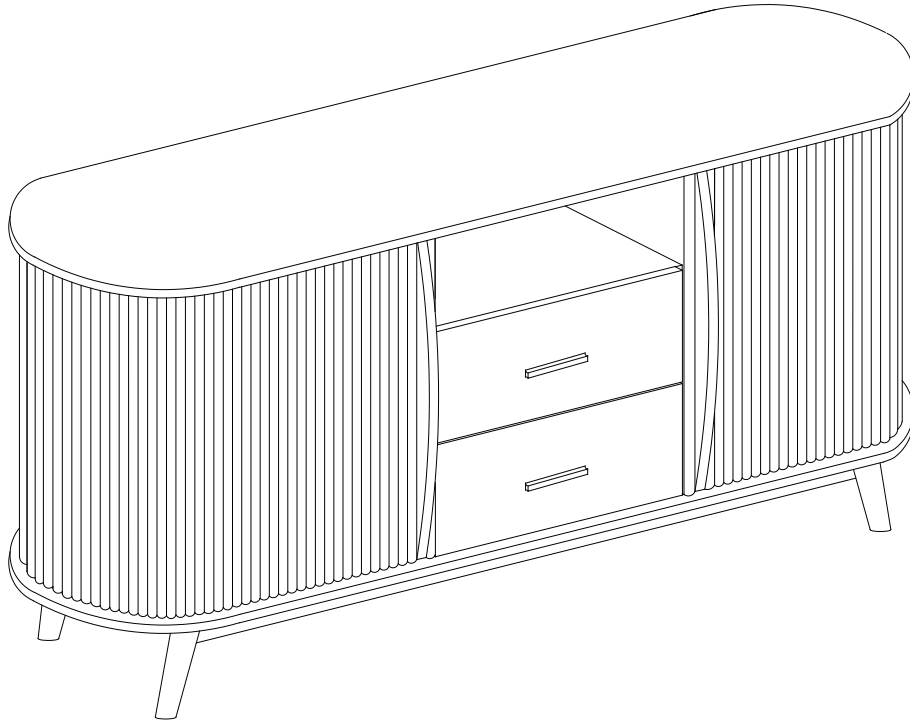


Sideboard



Please make sure to read the instruction manual carefully before installing the product.

Do Not Return This Product!

Contact our customer service team
for help first.

WARNING

- Unit can tip over causing severe injury or death.
- Anchor unit to stud in wall (if instructed to)
- Do Not allow children to climb on unit.
- put heavy items on lower shelves or drawers.

**PEOPLE NEEDED
FOR ASSEMBLY : 2**

CONTACT US!

Do NOT return this product!

Contact our friendly customer service team first for help.

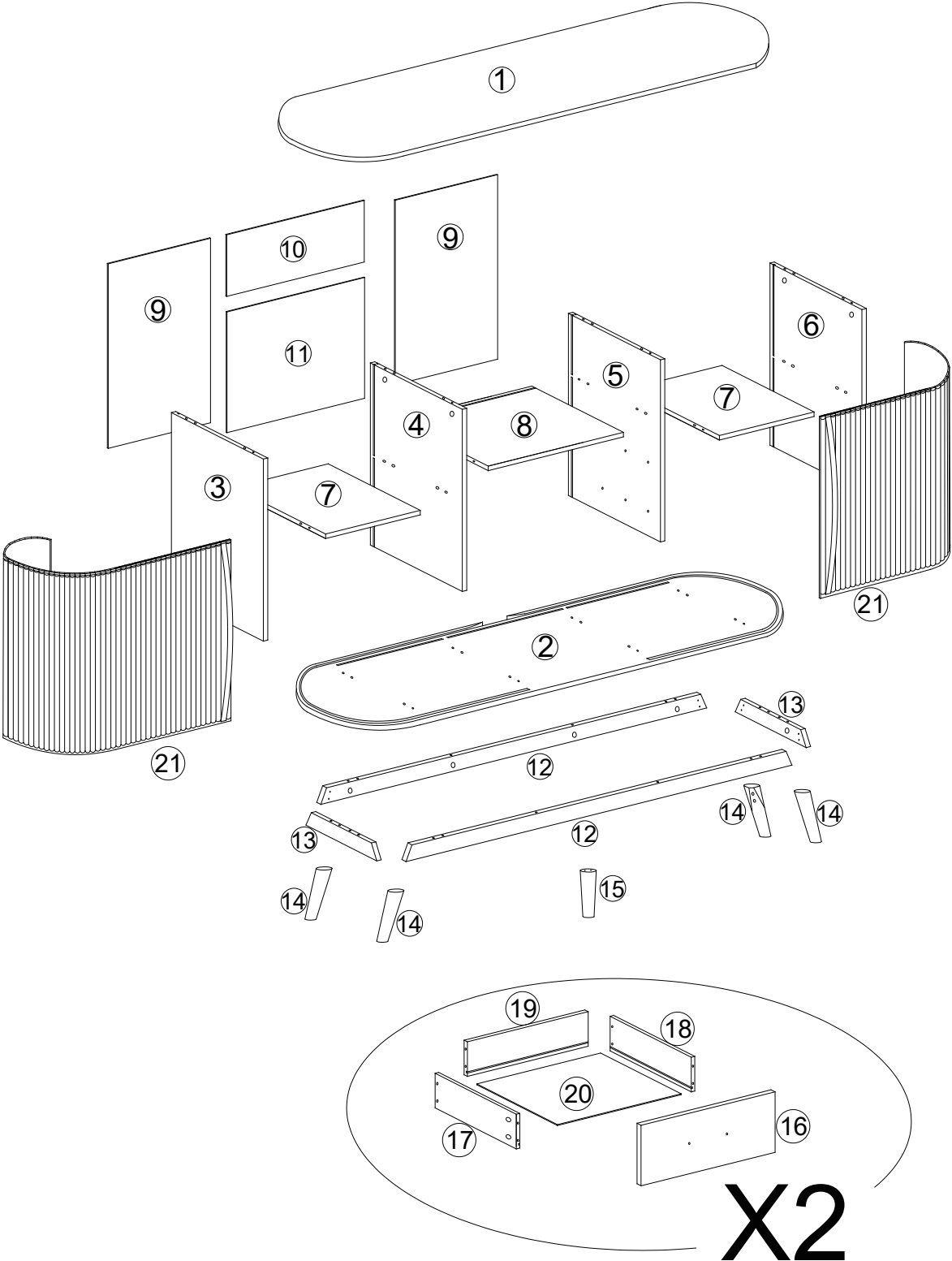
- Open your item in the area you plan to keep it to avoid excessive heavy lifting.
- Identify, sort and count the parts before attempting assembly.
- Back panel must be used to make sure your unit is sturdy.
- Do NOT use harsh chemicals or abrasive cleaners on this item.
- Never push,pull,or drag your furniture.



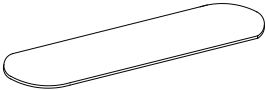
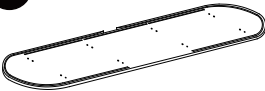




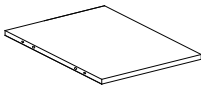
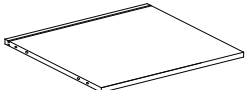
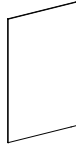
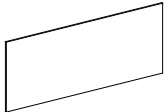
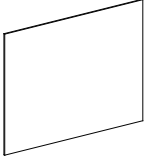

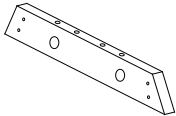


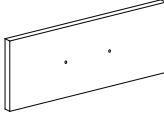
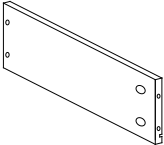
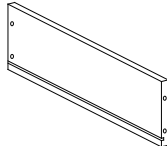
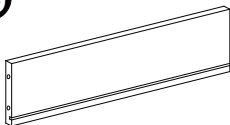
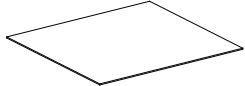
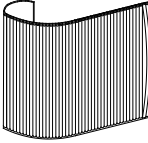
BEFORE YOU START

- Read through each step carefully and follow the proper order
- Separate and count all your parts and hardware
- Give yourself enough room for the assembly process
- Have the following tools:Flat Head Screwdriver,#2 Phillips Head Screwdriver and Hammer
- Caution: IF using a power drill or power screwdriver for screwing,please be aware to slow down and stop when screw is tight.Failure to do so may result in stripping the screw.

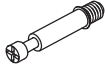




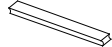


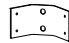











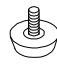




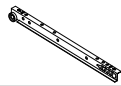
BOARD IDENTIFICATION



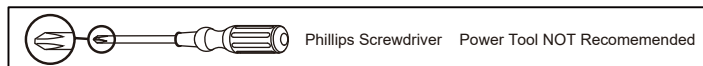
BOARD IDENTIFICATION

<p>1</p>  <p>1PC</p>	<p>2</p>  <p>1PC</p>	<p>3</p>  <p>1PC</p>	<p>4</p>  <p>1PC</p>
<p>5</p>  <p>1PC</p>	<p>6</p>  <p>1PC</p>	<p>7</p>  <p>2PCS</p>	<p>8</p>  <p>1PC</p>
<p>9</p>  <p>2PCS</p>	<p>10</p>  <p>1PC</p>	<p>11</p>  <p>1PC</p>	<p>12</p>  <p>2PCS</p>
<p>13</p>  <p>2PCS</p>	<p>14</p>  <p>4PCS</p>	<p>15</p>  <p>1PC</p>	<p>16</p>  <p>2PCS</p>
<p>17</p>  <p>2PCS</p>	<p>18</p>  <p>2PCS</p>	<p>19</p>  <p>2PCS</p>	<p>20</p>  <p>2PCS</p>
<p>21</p>  <p>2PCS</p>			

THE HARDWARE

A x40  Cam Bolt Ø6x35mm	B x40  Cam Lock Ø15x9mm	C x16  Wood Dowel Ø8x30mm	D x10  Screw Ø4x35mm	E x24  Screw Ø3x12mm	F x2  Felt Pads
G x4  Screw Ø4x16mm	H x18  Screw Ø4x14mm	I x4  Metal Plate	J x1  Metal Plate	K x8  Screw Ø6x30mm	L x16  Plastic Buckle
M x16  Screw Ø3x16mm	N x10  Screw Ø7x40mm	O x1  Inner hexagonal handle 4mm	P x2  Wall Anchor	Q x4  Screw Ø6x14mm	R x12  Spring pads
S x12  Spring coils	T x2  Anti-rewinding	U x1  Wall Bracket	V x20  Wood Dowel Ø6x30mm	CL x2  Sliding Track 300mm	CR x2  Sliding Track 300mm
DL x2  Sliding Track 300mm	DR x2  Sliding Track 300mm				

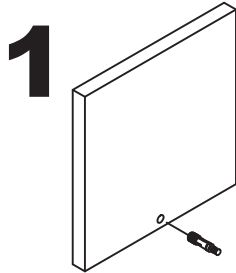
IMPORTANT :



1. Do not tighten bolts / screws completely until all bolts / screws are lined up and inserted into holes.
2. Do not over tighten screws and bolts to avoid stripping.
3. Please use hand tools to assemble this product. Do not use power tools.

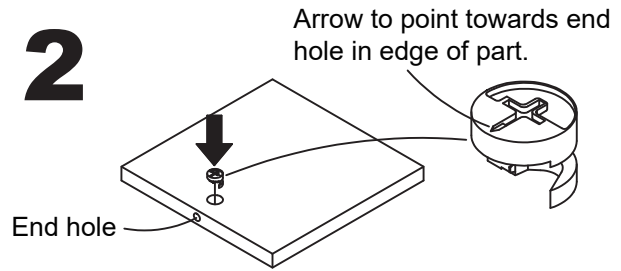
CAM LOCK FASTENING SYSTEM

This Cam Lock Fastening System will be used throughout the assembly process.



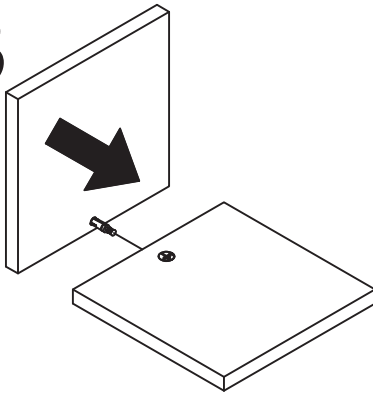
1 Press CAM BOLT into hole.

2



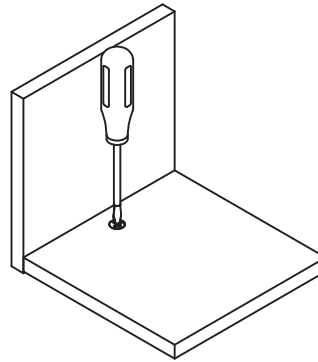
Press CAM LOCK into hole.

3

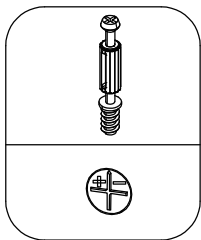


Press parts together so CAM BOLT inserts into edge hole.

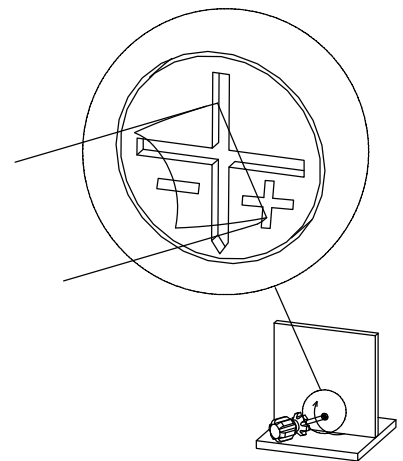
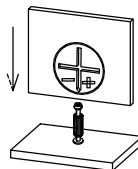
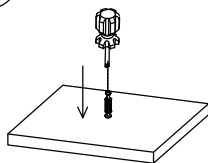
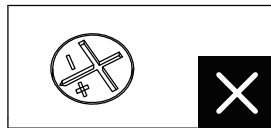
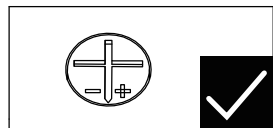
4



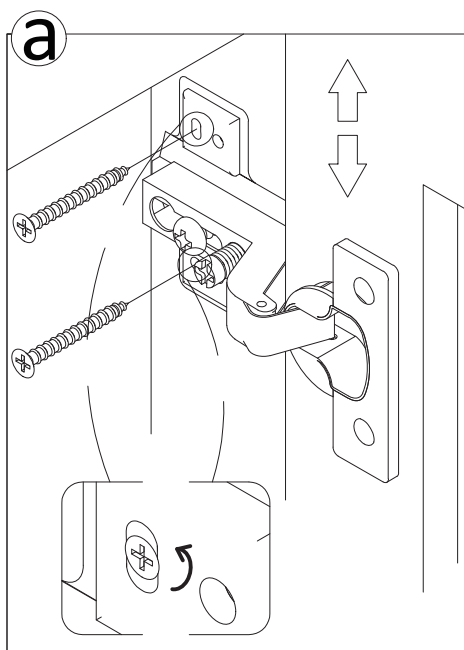
Using a screwdriver, turn the CAM LOCK clockwise to lock the CAM LOCK and CAM BOLT into their holes and fastening parts together.



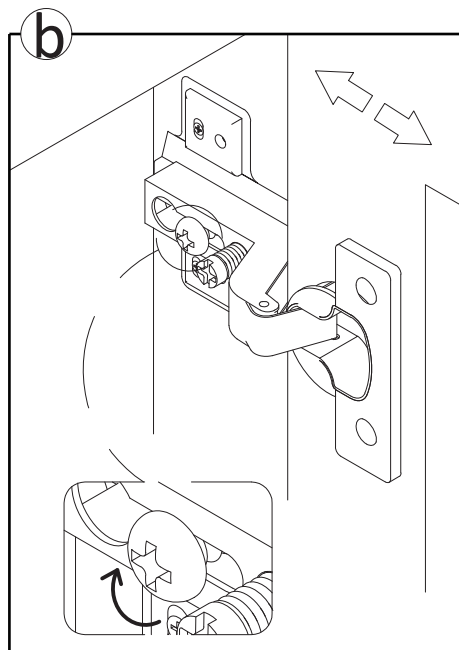
Notice: Proper orientation of CAM LOCK



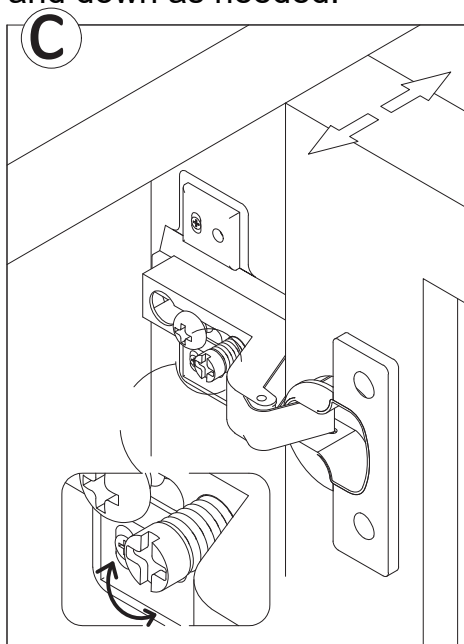
It may be necessary to adjust the hinges so that the doors align. Use the instructions below as a guide.



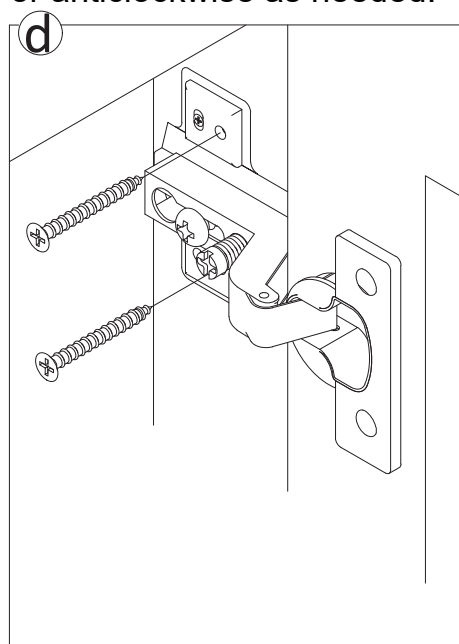
To adjust the door vertically loosen the screw as shown and move up and down as needed.



To adjust the gap from the door to the main frame turn the screw clockwise or anticlockwise as needed.



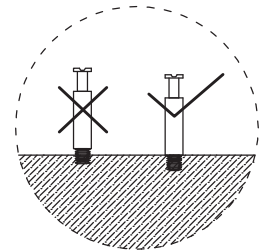
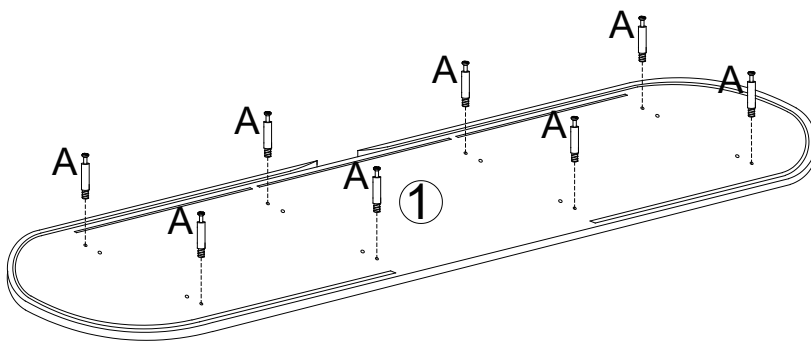
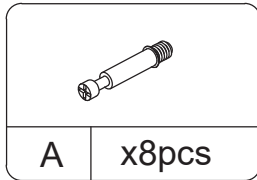
To adjust the door laterally (such as changing the gap between the two doors), please adjust the screw as shown by turning clockwise or anticlockwise.



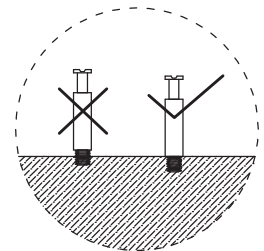
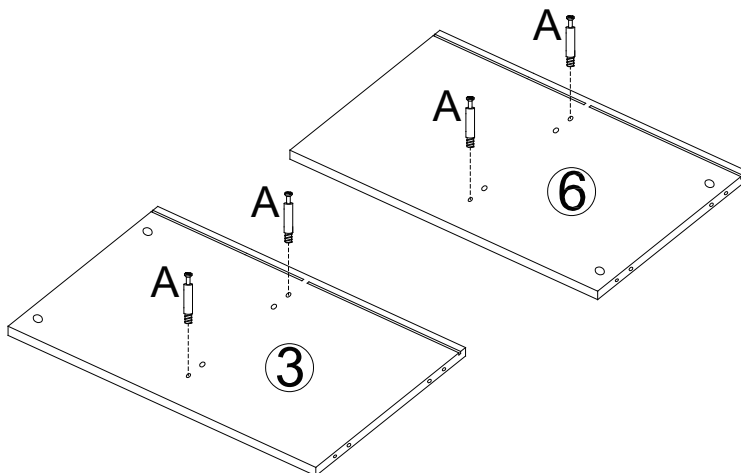
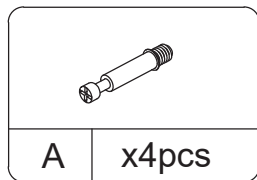
Please fix other screws.

INSTALLATION STEPS

STEP 1

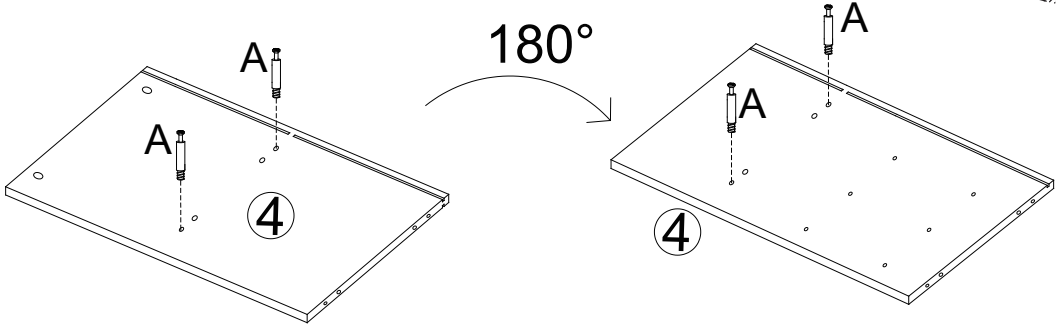
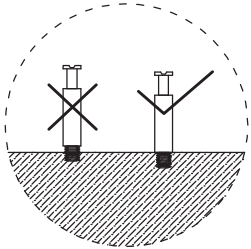
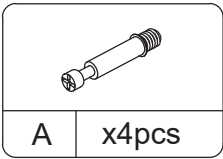


STEP 2

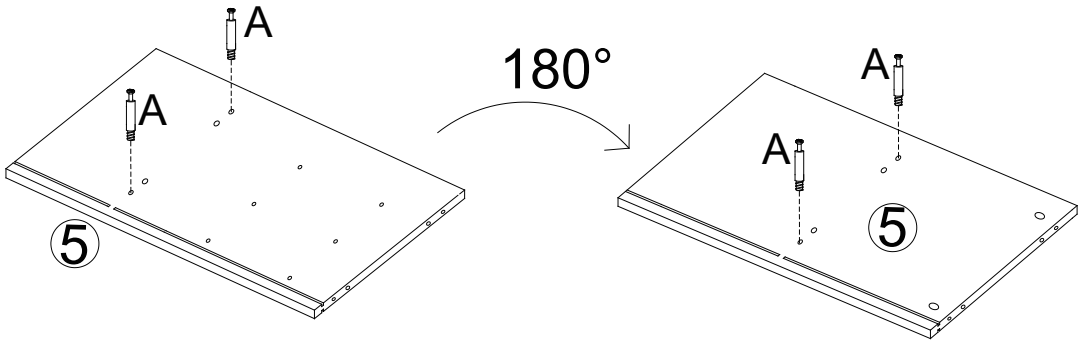
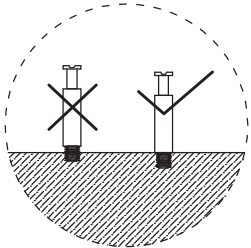
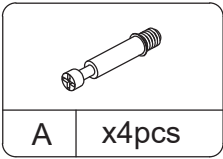


INSTALLATION STEPS

STEP 3

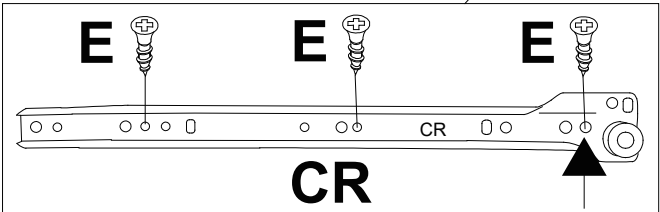
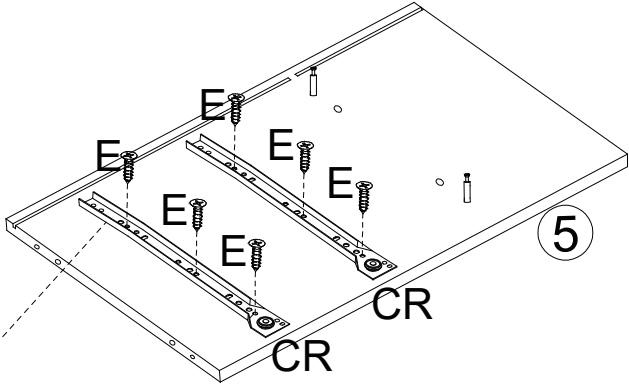
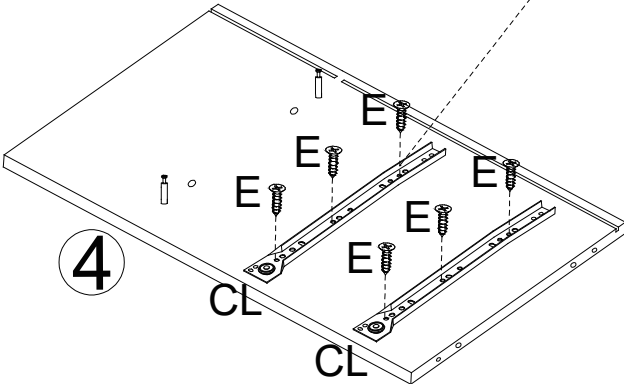
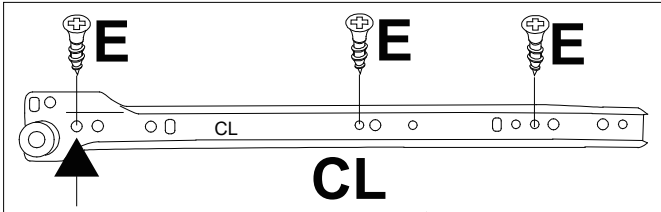
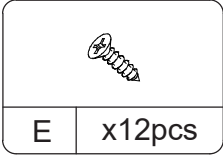
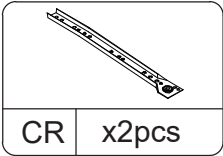
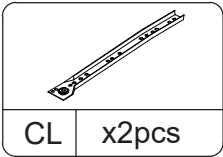


STEP 4




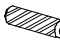
INSTALLATION STEPS

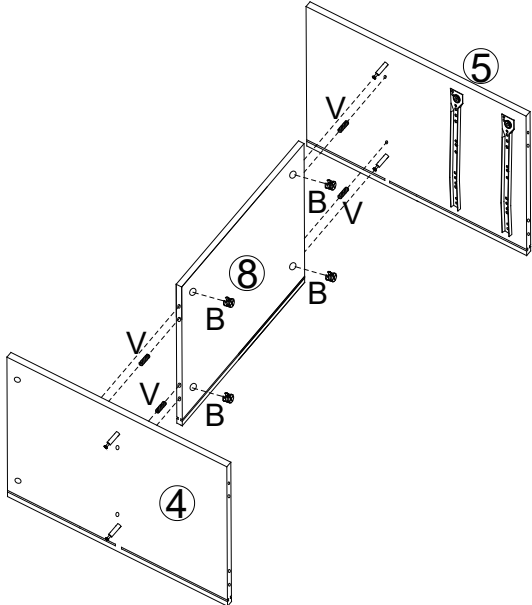
STEP 5




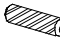
INSTALLATION STEPS

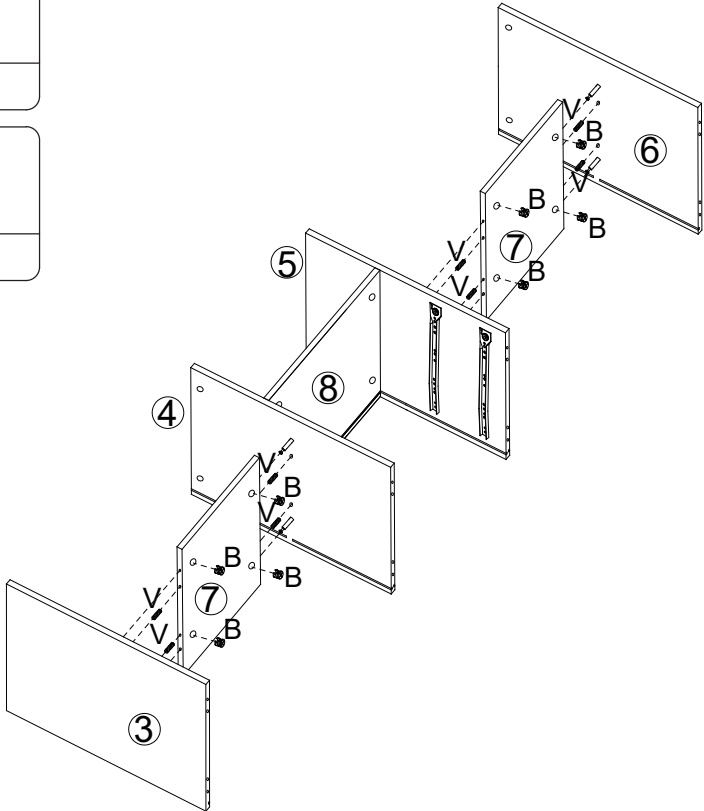
STEP 6

	
B	x4pcs
	
V	x4pcs



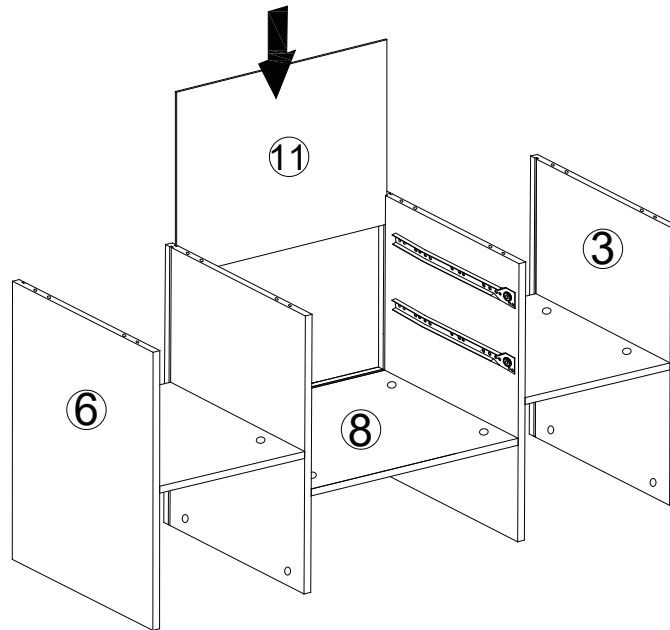
STEP 7

	
B	x8pcs
	
V	x8pcs

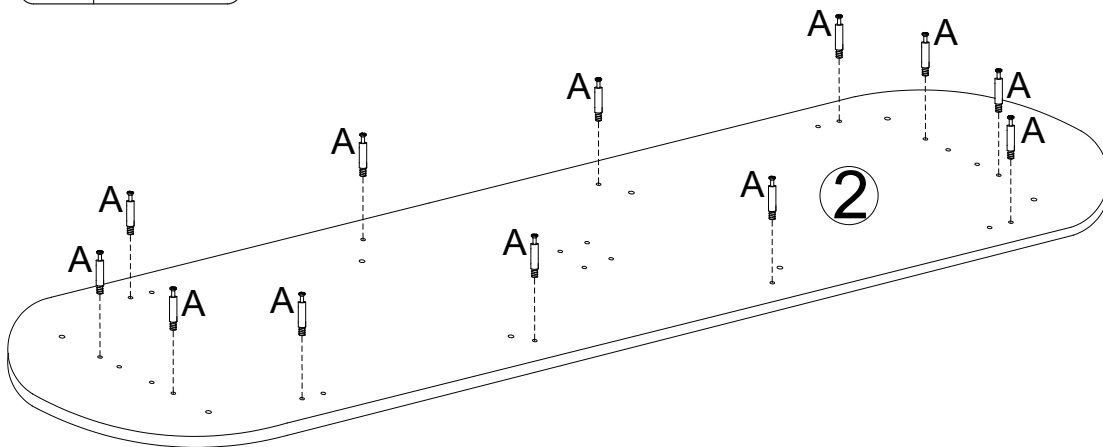
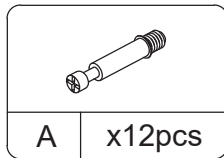


INSTALLATION STEPS

STEP 8







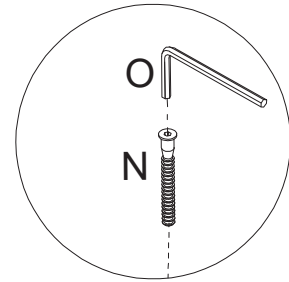
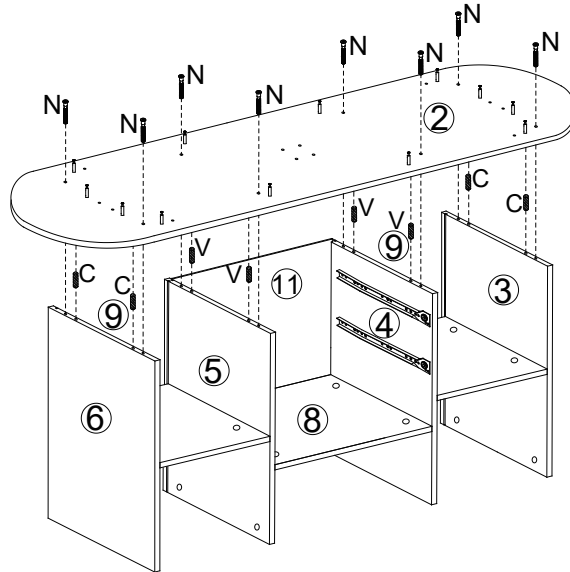
STEP 9




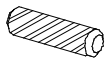
INSTALLATION STEPS

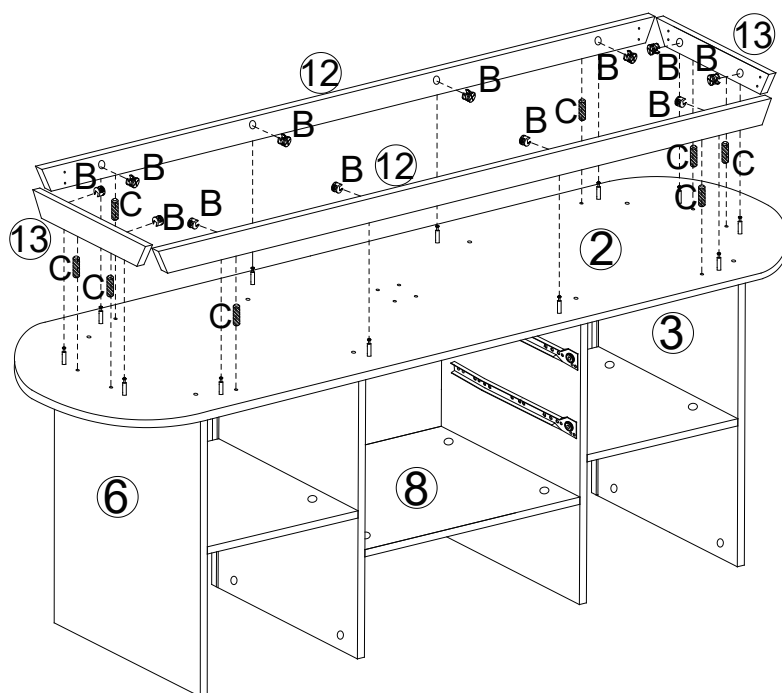
STEP 10

	N	x8pcs
	C	x4pcs
	O	x1pc
	V	x4pcs



STEP 11

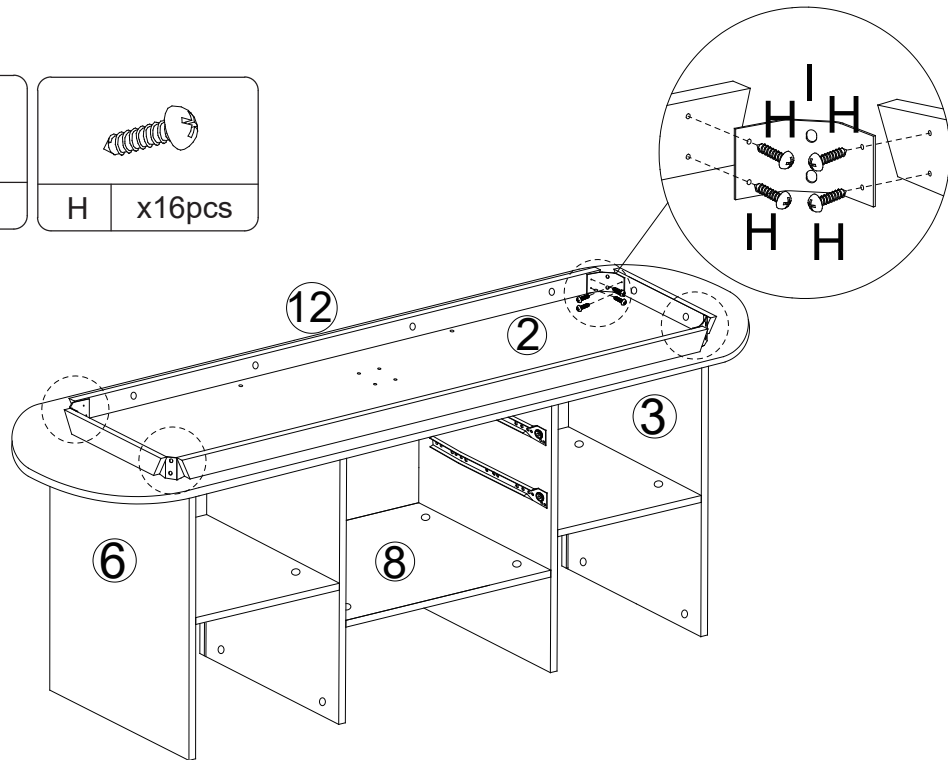
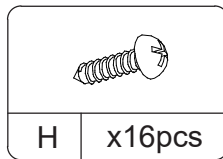
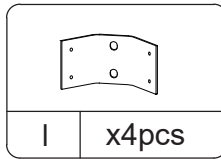
	B	x12pcs
	C	x8pcs



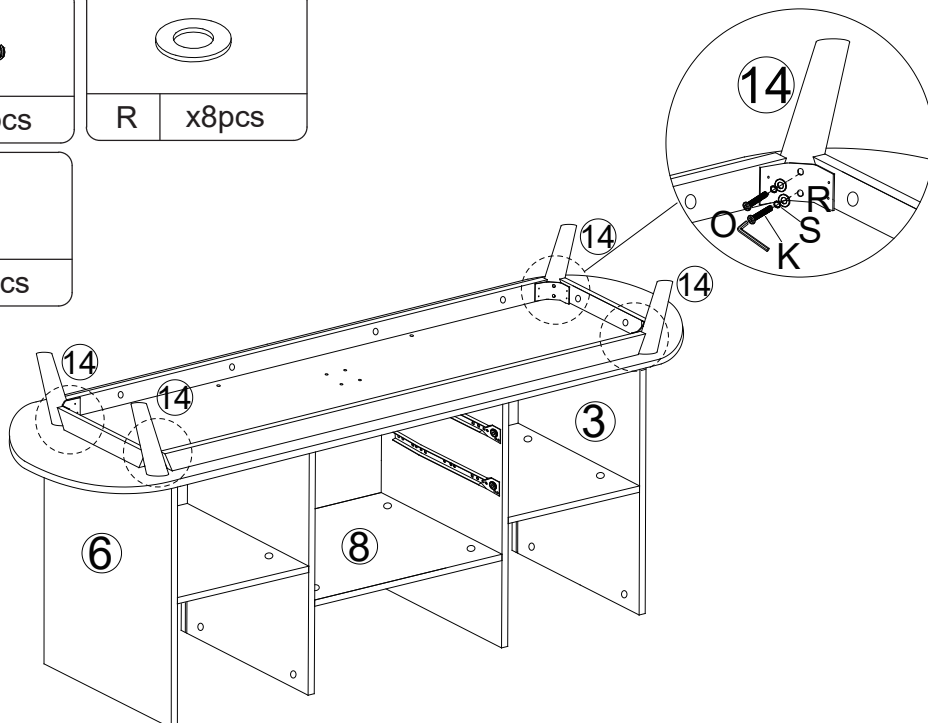
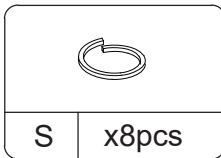
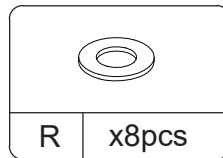
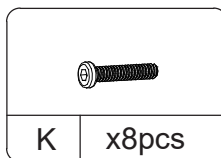
INSTALLATION STEPS



STEP 12


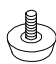
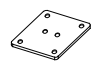





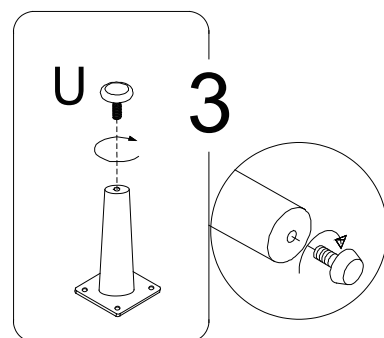
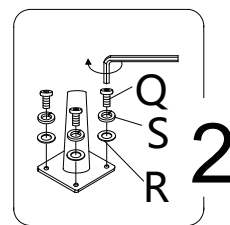
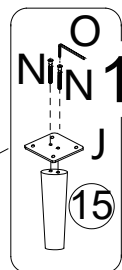
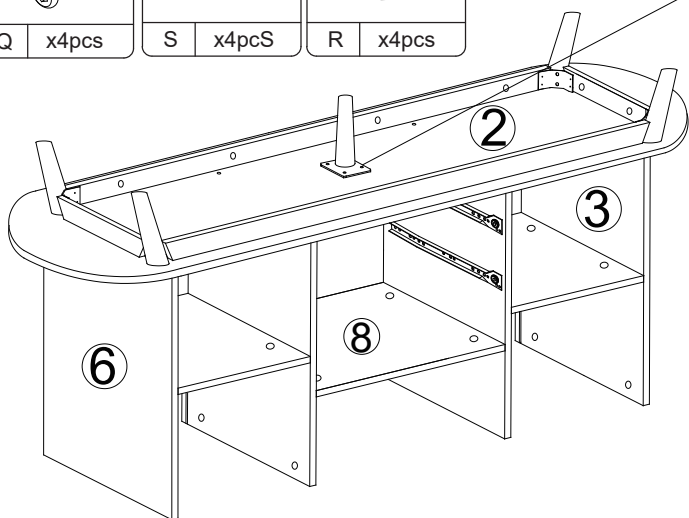
STEP 13



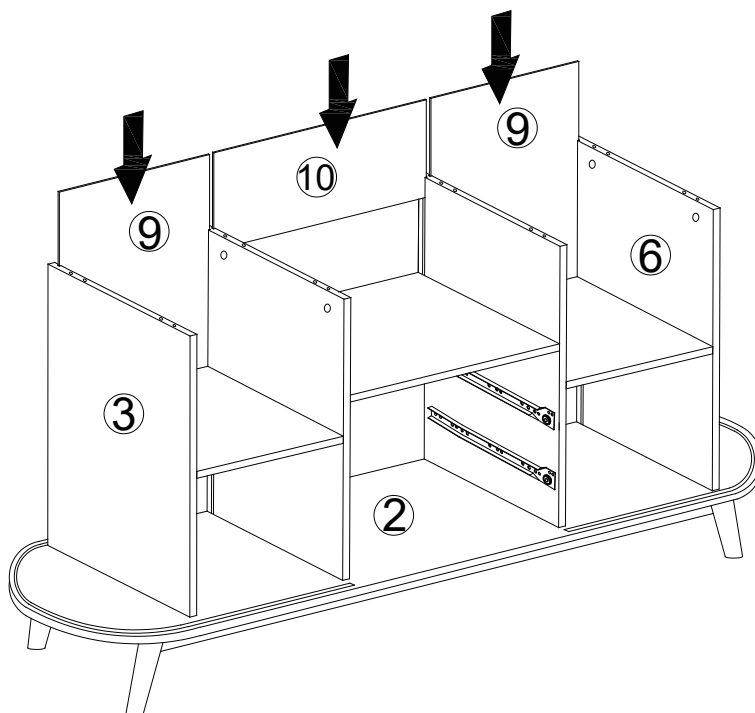
INSTALLATION STEPS

STEP 14

		
N x2pcs	U x1pc	J x1pc
		
Q x4pcs	S x4pcs	R x4pcs

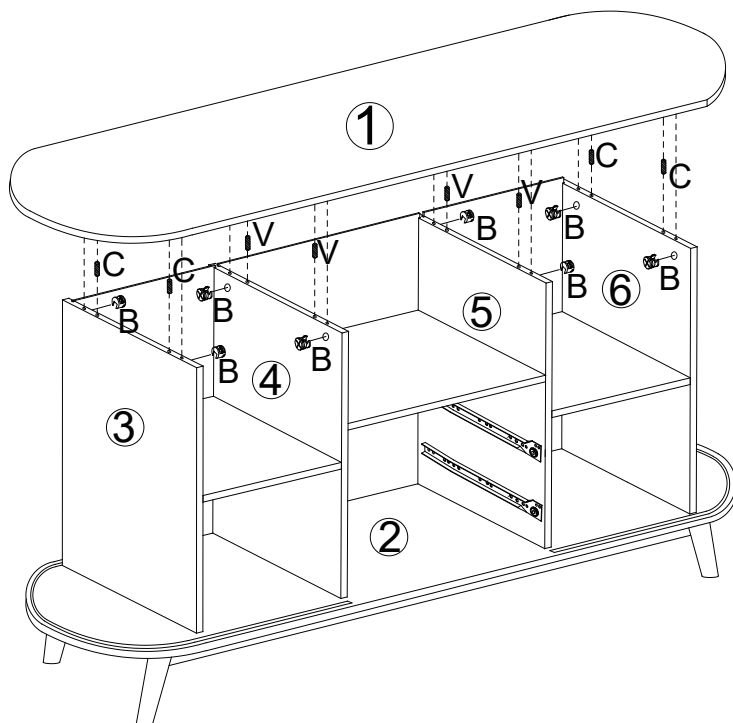
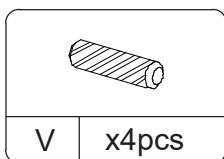
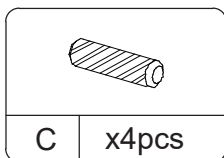
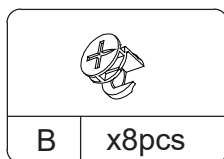


STEP 15

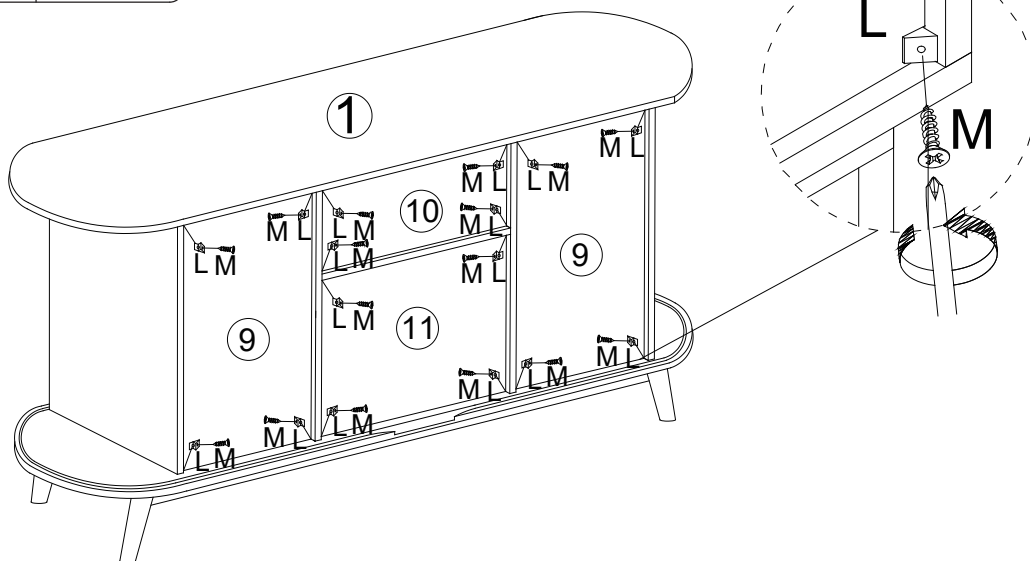
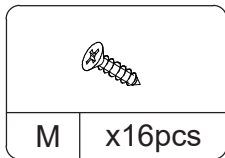
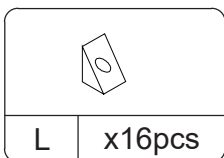


INSTALLATION STEPS

STEP 16

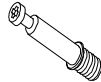

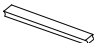

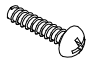


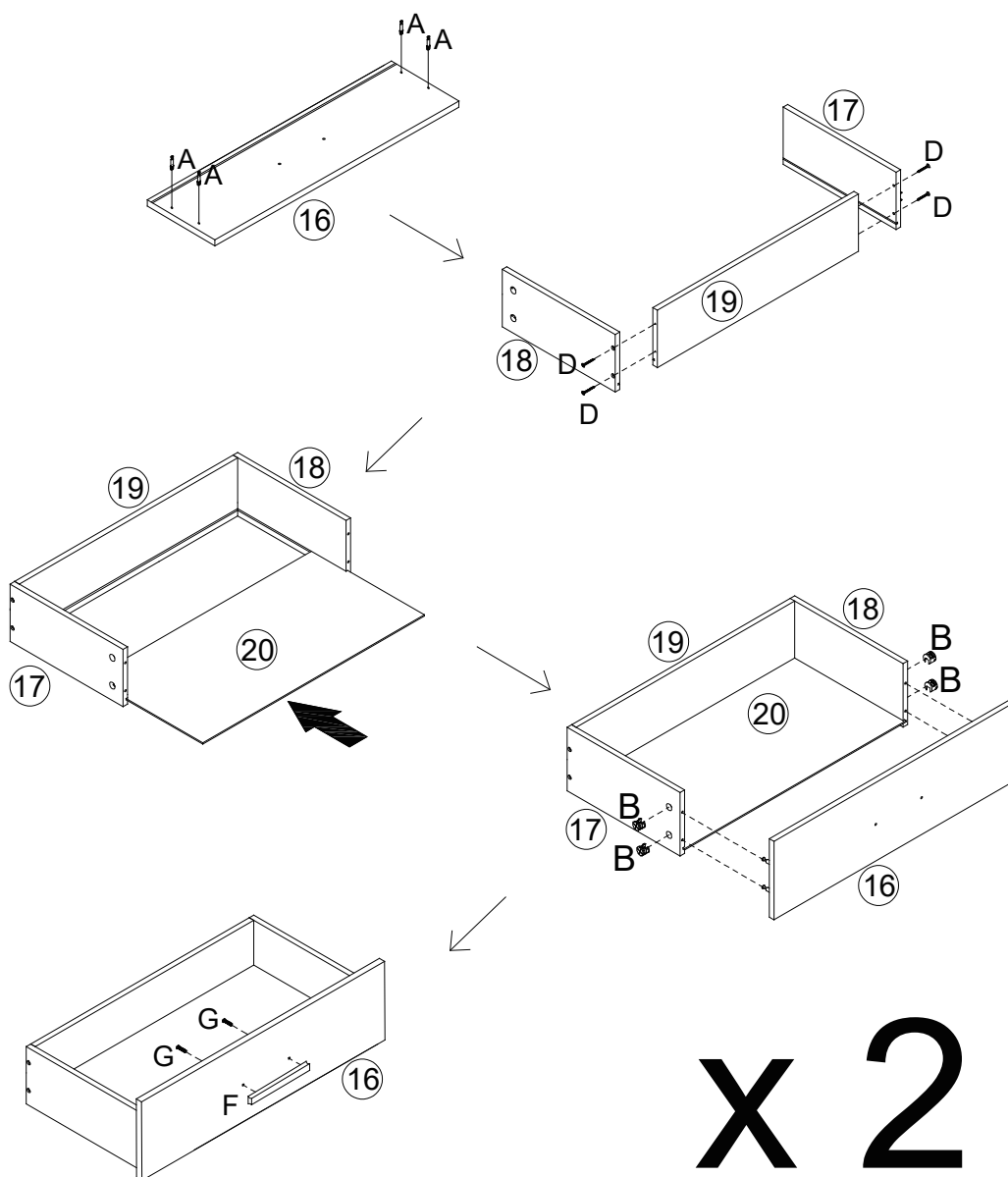
STEP 17



INSTALLATION STEPS

STEP 18

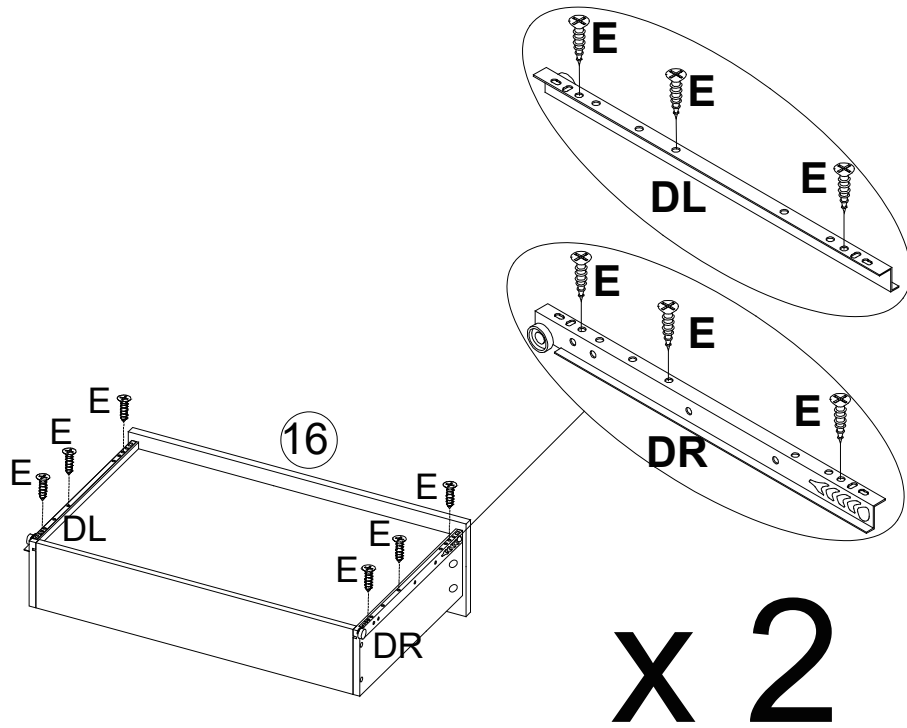
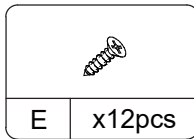
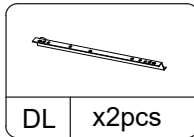
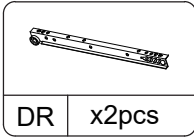
				
A	B	F	D	G
x8pcs	x8pcs	x2pcs	x8pcs	x4pcs



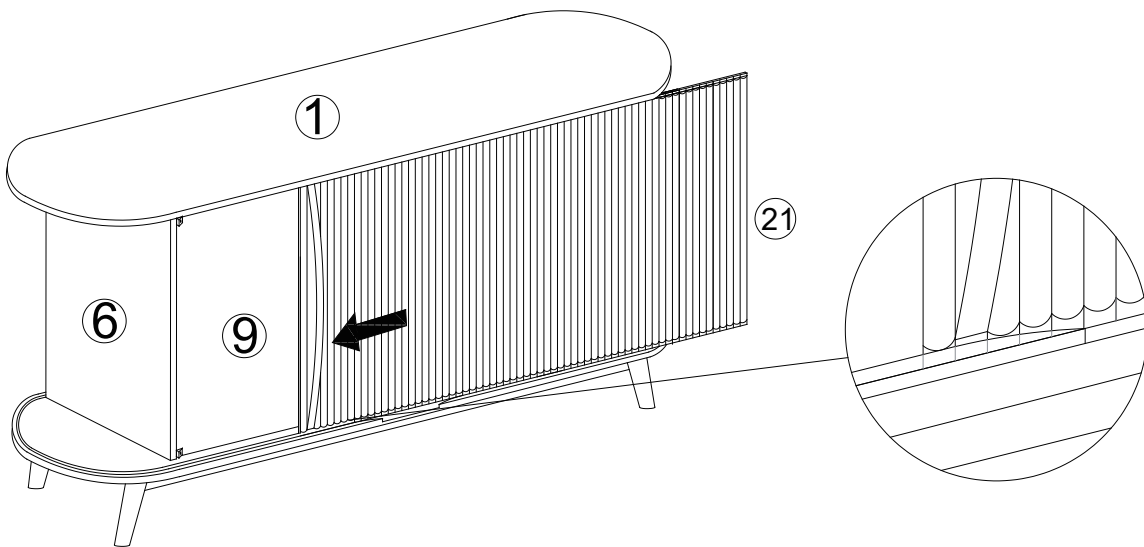
INSTALLATION STEPS



STEP 19

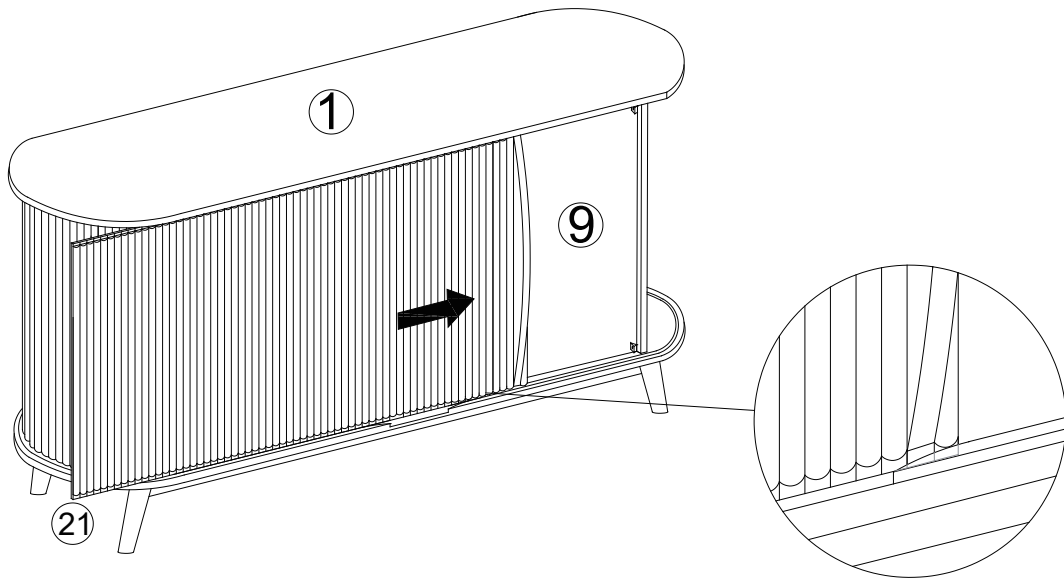


STEP 20

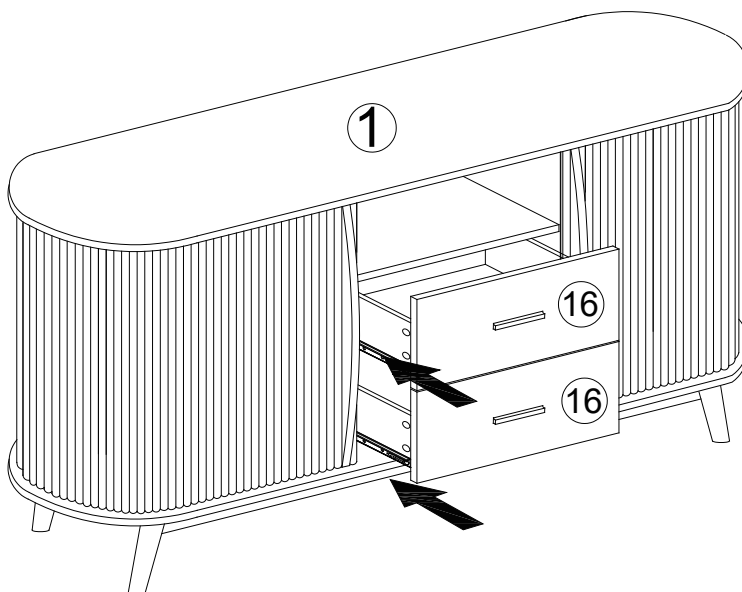


INSTALLATION STEPS

STEP 21



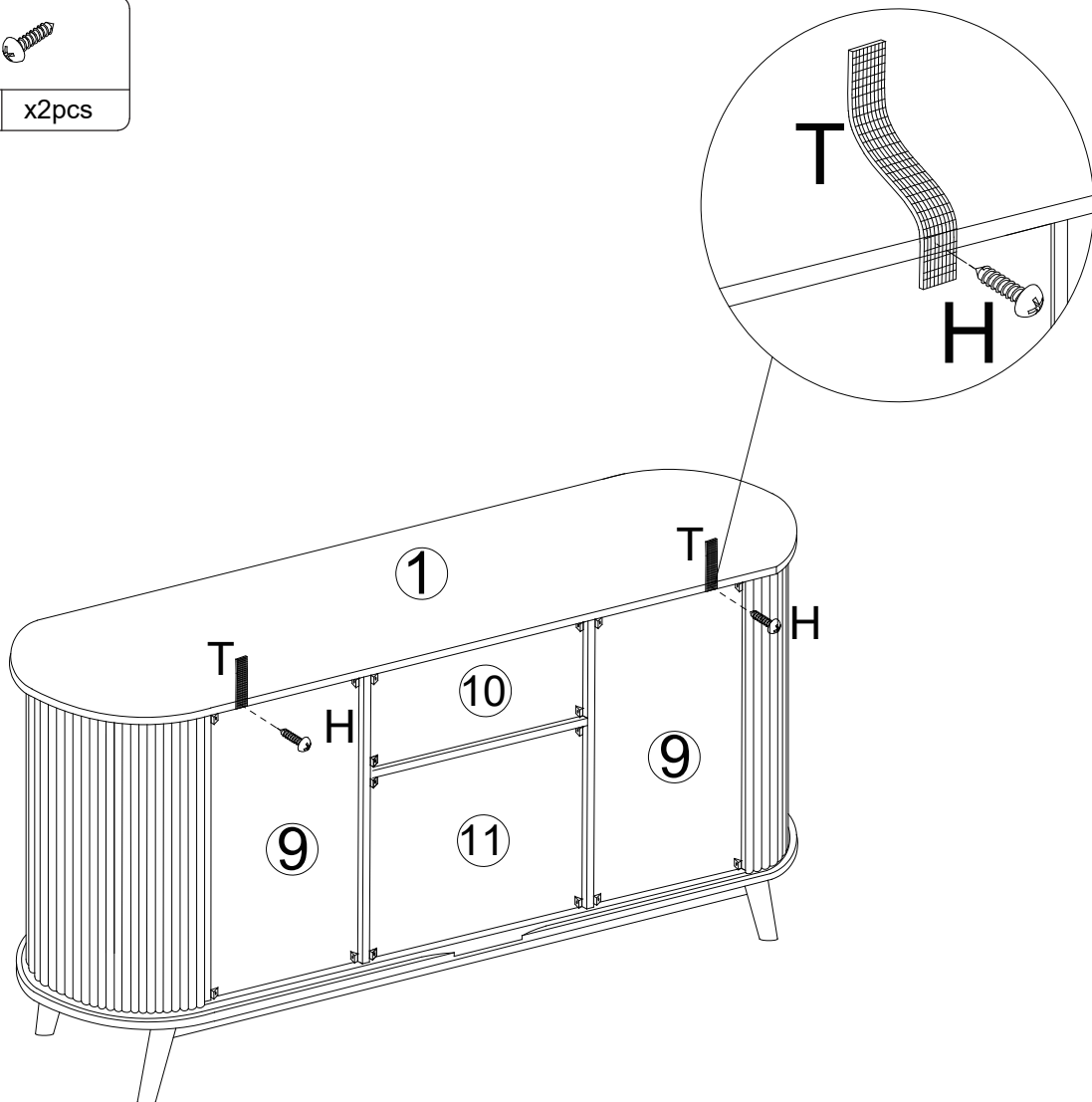
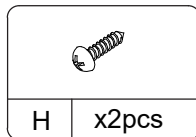
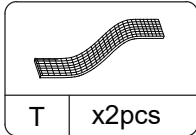
STEP 22



INSTALLATION STEPS



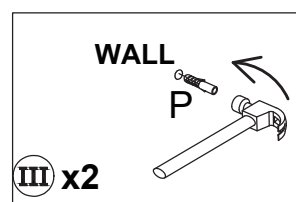
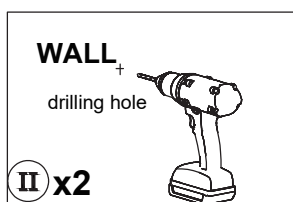
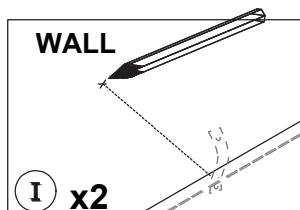
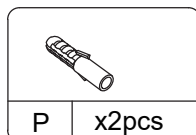
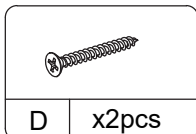
STEP 23



INSTALLATION STEPS



STEP 24



Tips: This step is to install the anti-tipping device system, which requires drilling holes in the wall.

