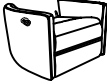




COMPLETED ASSEMBLY

PARTS LIST				
A		1	CHAIR	
B		1	BACKREST	
C		2	PILLOWS	

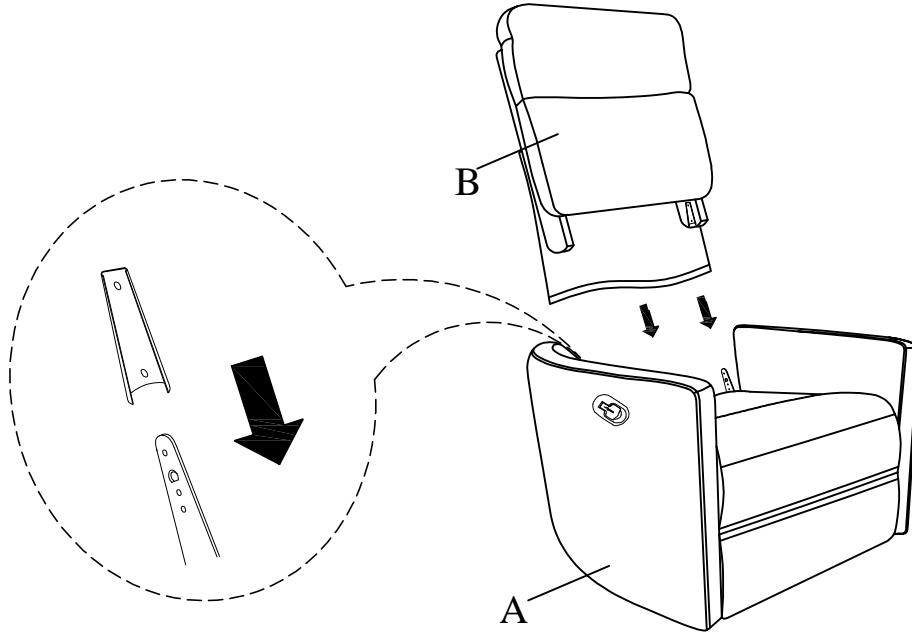
NOTES:

- 1.CHECK CAREFULLY FOR SMALL PARTS WHICH MAY COME LOOSE DURING SHIPMENT.
- 2.REMOVE ALL COMPONENTS FROM THE PACK AND PLACE ON A CLEAN, SOFT SURFACE TO ASSEMBLE.
- 3.UNITS SHOULD BE ASSEMBLED BY TWO OR MORE PEOPLE.
- 4.DO NOT OVER -TIGHTEN SCREW/ BOLTS UNTIL ASSEMBLY IS COMPLETED.
- 5.WITH USE, SCREW MAY BE COME LOOSE & MUST BE TIGHTENED PERIODICALLY.



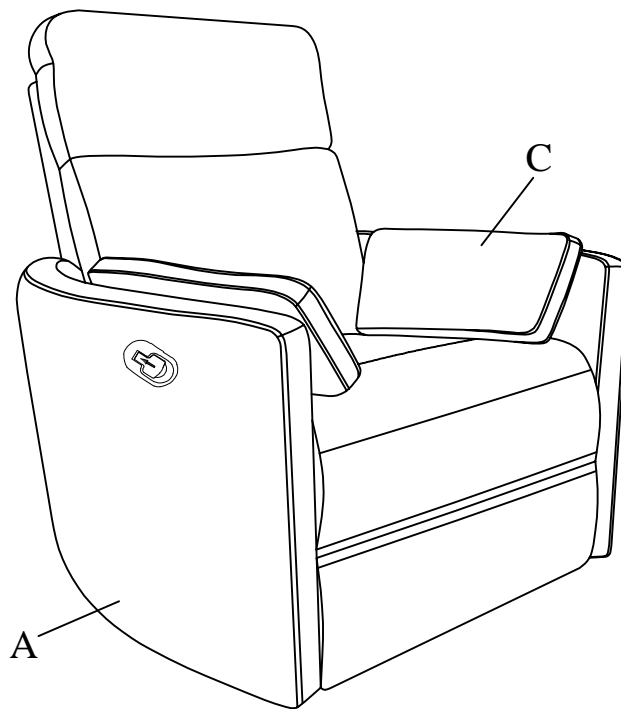
STEP 1 Important:

1. Attach **Backrest (B)** to the Chair (**A**).

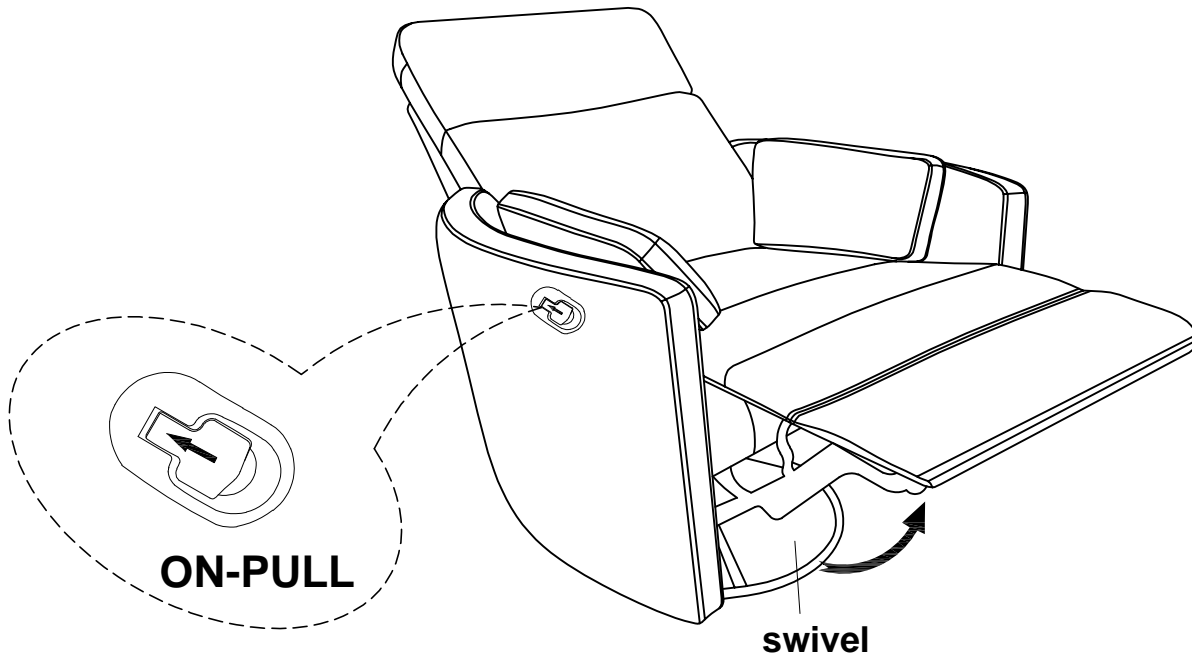


STEP 2 Important:

1. Attach **Pillows (C)** to the Chair (**A**).



- STEP 3** Important:
1. **Open the Footrest by pulling out the Switch**



- STEP 4** Important:
1. **Complete assembly.**

