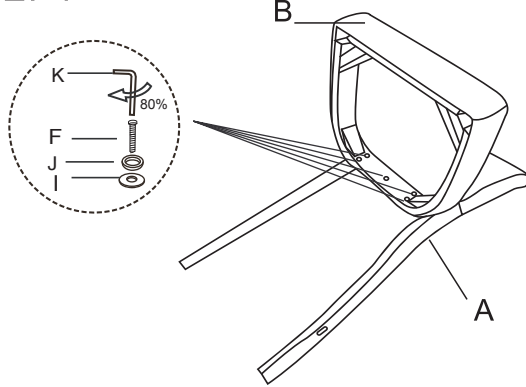


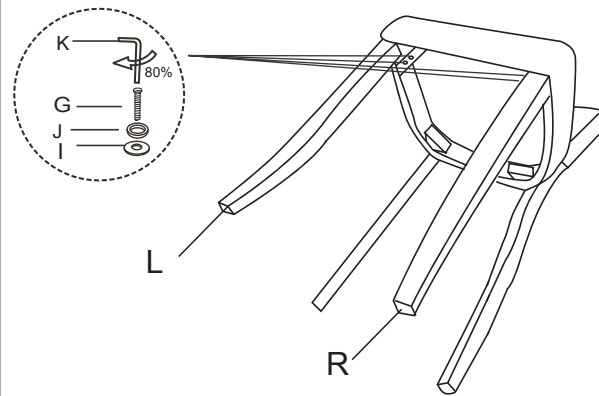
ASSEMBLY INSTRUCTION

| | | | | | | | | | | | | | | |
|-----------|-----|-----|-----|-----|-----|-----|-----|-----|-----|-----|-----|-----|-----|-----|
| ITEM: | Ax1 | Bx1 | Cx2 | Dx1 | Ex1 | Fx5 | Gx4 | Hx4 | Ix9 | Jx9 | Kx1 | Lx2 | Mx2 | Nx1 |
| Bar Stool | | | | | | | | | | | | | | |

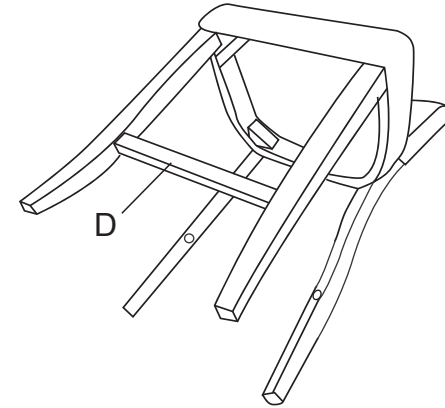
STEP1



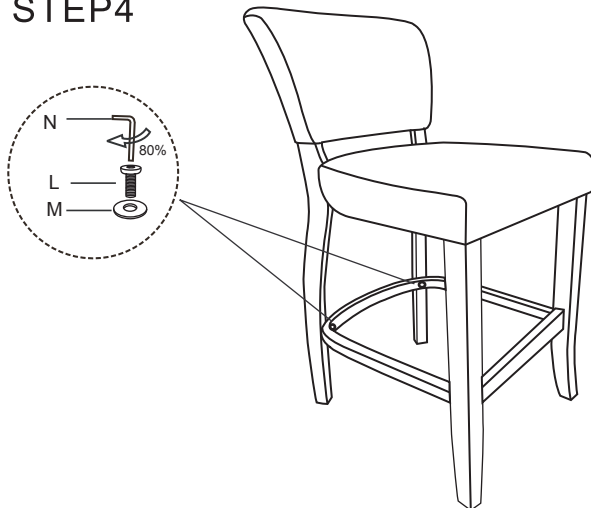
STEP2



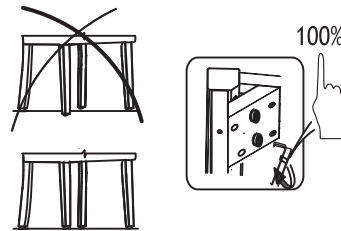
STEP3



STEP4

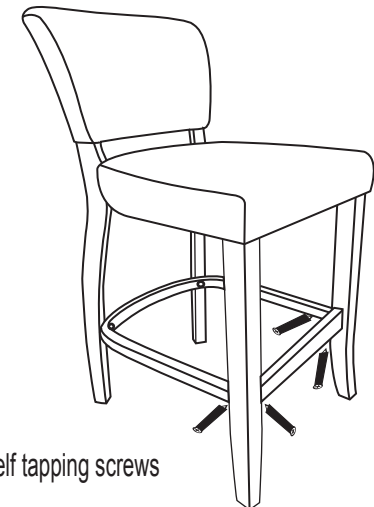


STEP5



Put chair in the upright position and press downwards on the seat pad ensuring that all 4 feet touch the ground and chair is level. Proceed to tighten all bolts making sure the chair remains level when tightening. Check that all bolts are tight on a regular basis to ensure chair remains level and secure

STEP6



Finally, lock the 4 lesson self tapping screws