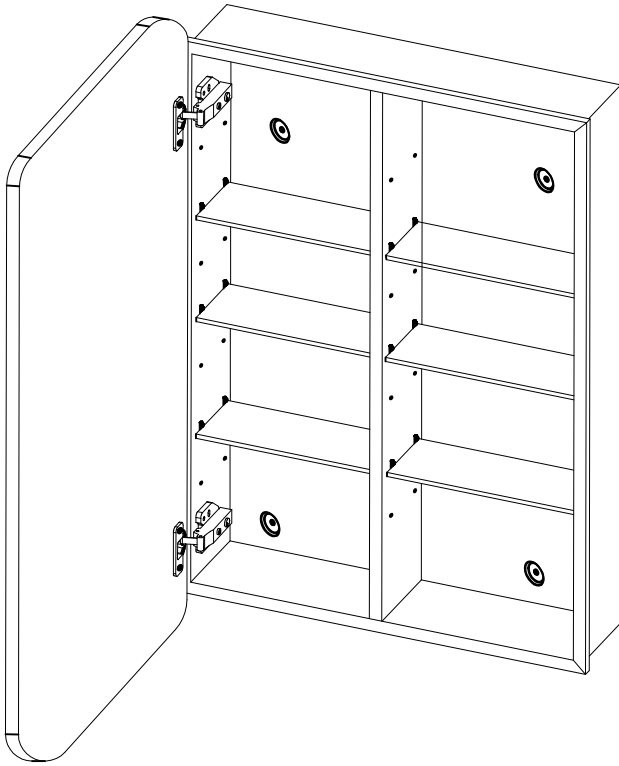
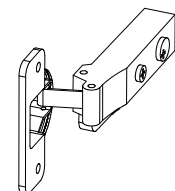
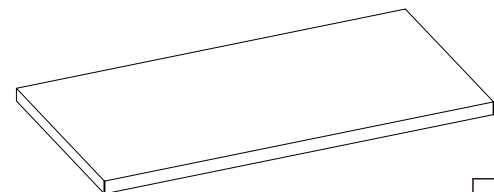
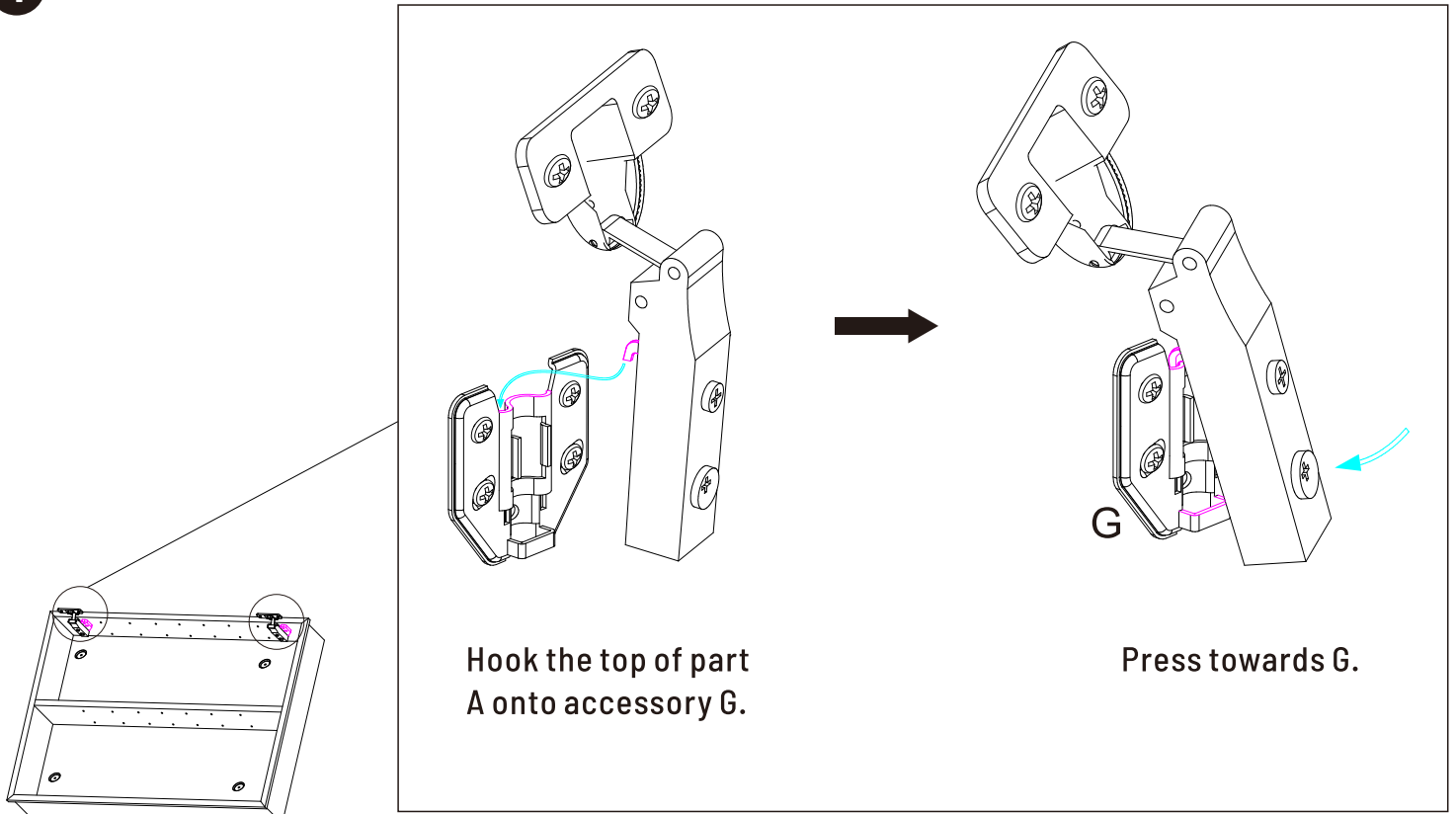


Medicine Cabinet

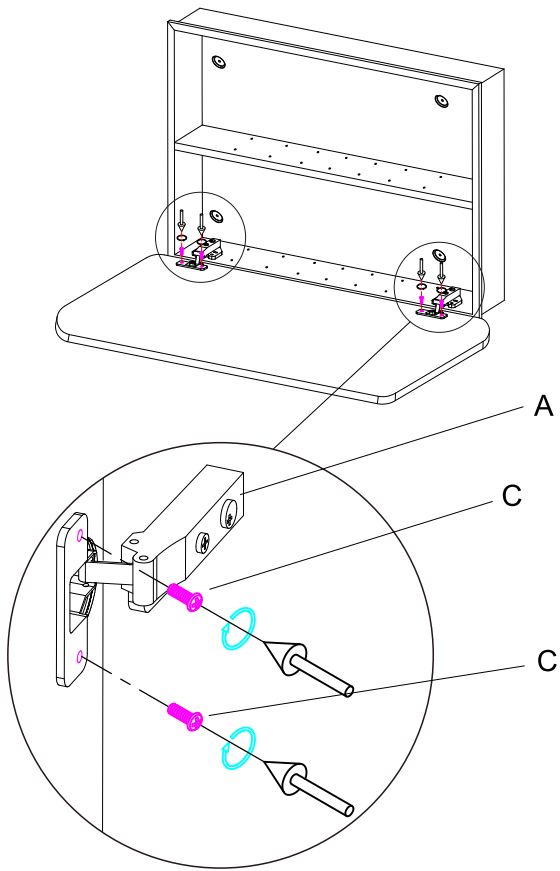


A		2PCS
B		6PCS
C	E	5PCS
D	F	30PCS

1

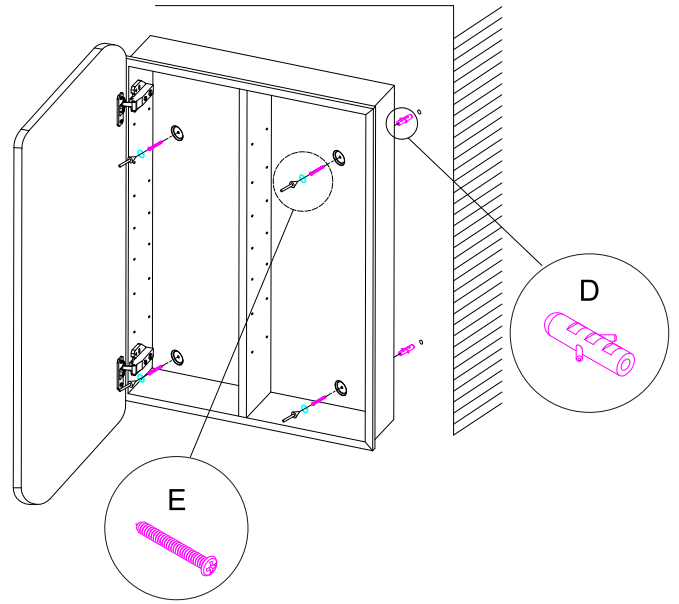


2



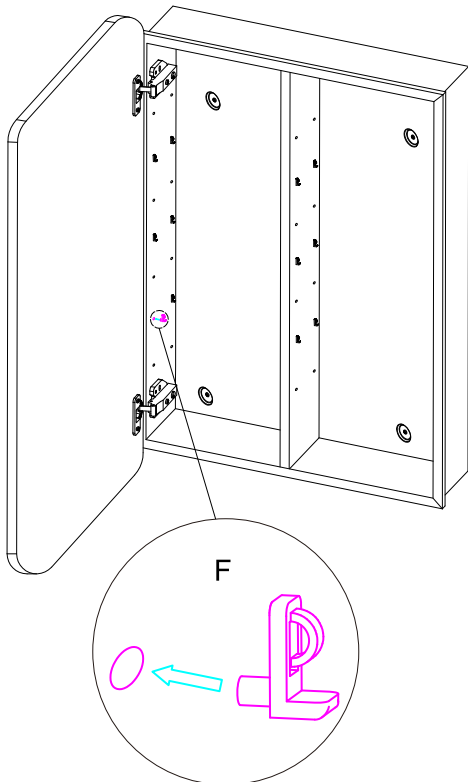
Align screw C with the door hole and tighten.

3



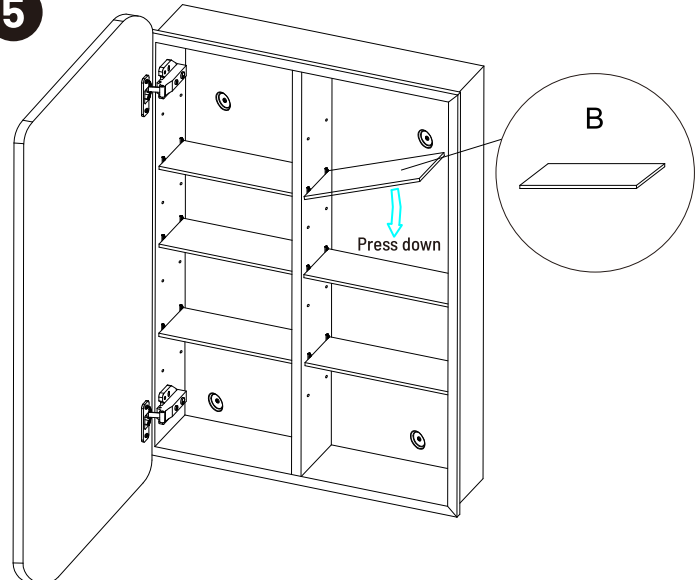
1. Position the cabinet on the wall and mark the four mounting points.
 2. Remove the cabinet, drill four holes, and insert D into each hole.
 3. Align the cabinet with the holes and secure it by tightening screw E into D.
 Attention: Ensure all screws are firmly tightened before use.

4



Press F into the holes as needed, with four pieces per layer.

5



Place the left side of tempered glass B on accessory F, then press down the right side to secure it in place.