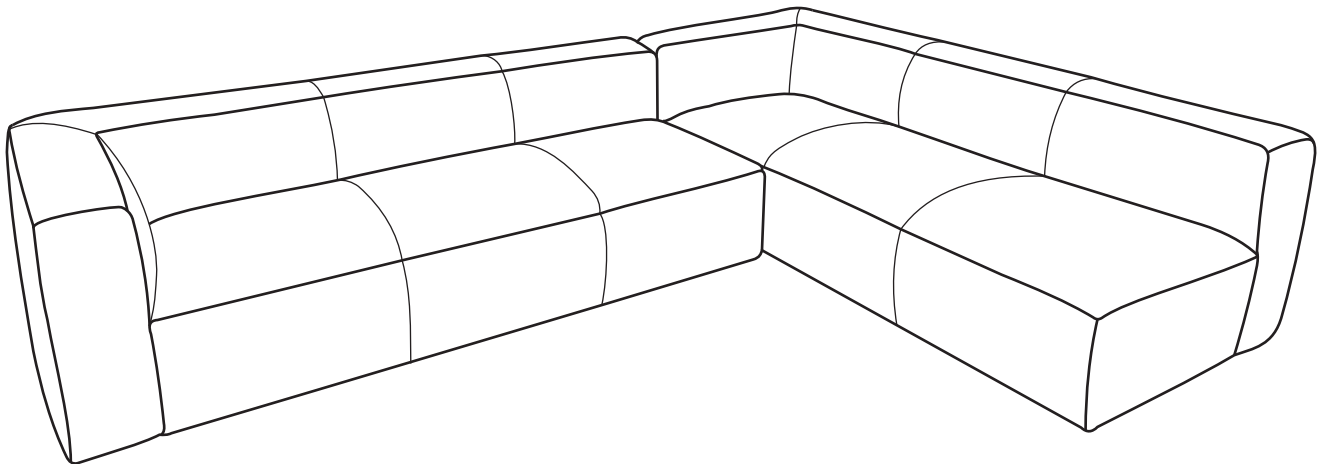


Assembly Instructions

# Reversible Corner Sectional Sofa



# Reversible Corner Sectional Sofa

## ASSEMBLY REQUIREMENT

**2 PEOPLE ASSEMBLY | 10 MINUTES ASSEMBLY TIME (APPROXIMATE)**

**TOOL REQUIRED: ALLEN WRENCH (PROVIDED)**

## ASSEMBLY PREPARATION

1. Remove all packaging materials, staples and packaging straps from carton.
2. Refer to Parts Checklist and ensure they are complete before you start assembling.
3. Place all components on a clean, flat and soft surface (e.g. carpet or rug) to prevent parts from getting scratched.

## TIPS FOR ASSEMBLY

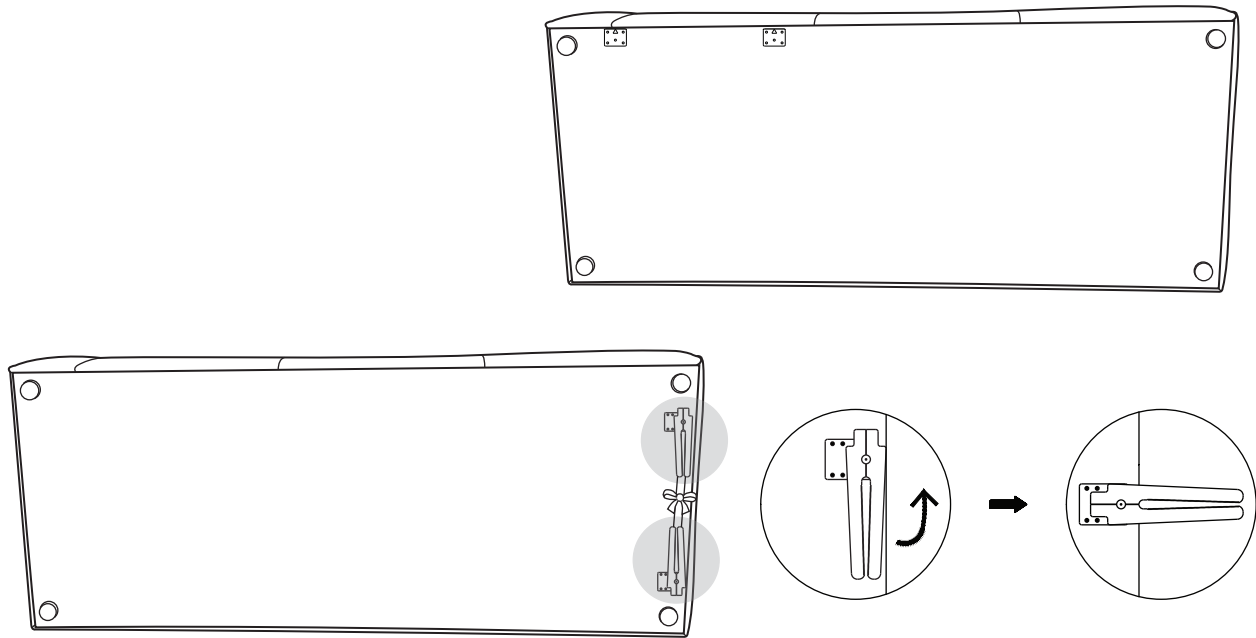
1. Allow ample room for assembly and in close proximity to where product will be placed.
2. Assemble the product on a surface that does not scratch or damage the exterior and finish of the furniture.
3. During assembly, do not over-tighten any fittings as this may cause damage.
4. **DO NOT USE POWER TOOLS TO ASSEMBLE THIS PRODUCT.**
5. Do not sit or stand on the partially assembled product, only use the product for which it is intended.

## CARE AND USE

- Keep your new furniture away from all heat sources and direct sunlight. The leather will lighten if it's exposed to sunshine.
- Gently dust with a soft dry cloth to keep it free from dirt. Rub out minor scratches lightly with a moistened finger.
- Noticeable soiling can be wiped with a clean, wrung out cloth. Do not soak or vigorously rub the leather and always wipe excess moisture with a dry cloth.
- For oil-based spots and spills, wipe up any excess with a clean, dry cloth. Do not apply water. Rather leave the spot alone. In most cases the spot should dissipate into the leather after a period of time.
- Do not use chemical cleansers or polishes.
- For heavy soiling, please consult a leather specialist and professional cleaner. Over-the-counter cleaning products are not recommended.
- To prevent over-drying, apply a leather conditioning oil to treat the hide every 3 to 6 months.
- The leather will scuff and will develop into a beautiful vintage patina with use.
- Please note that new, unwashed denim jeans may transfer dye onto fabric and leather, leaving permanent stains.
- Fluff all loose cushions regularly to maintain shape.
- Ensure all feet are tightly fastened. Do not drag furniture as this may cause damage to your floor.

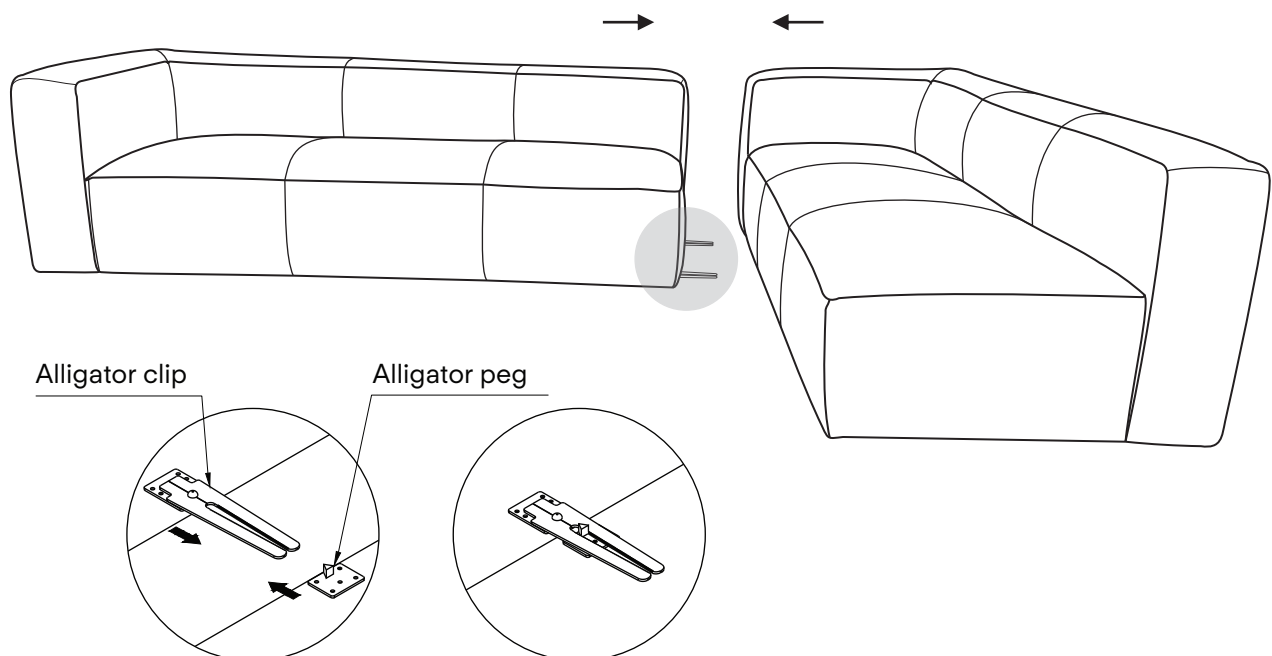
**Regular maintenance is important to keep your sofa looking its best.**

**SAFETY PRECAUTIONS: 1. KEEP ALL HARDWARE PARTS OUT OF REACH OF CHILDREN. 2. DISPOSE PLASTIC PACKAGING MATERIAL IMMEDIATELY TO AVOID ANY RISK OF SUFFOCATION TO CHILDREN AND ANIMALS.**



**STEP 1.**

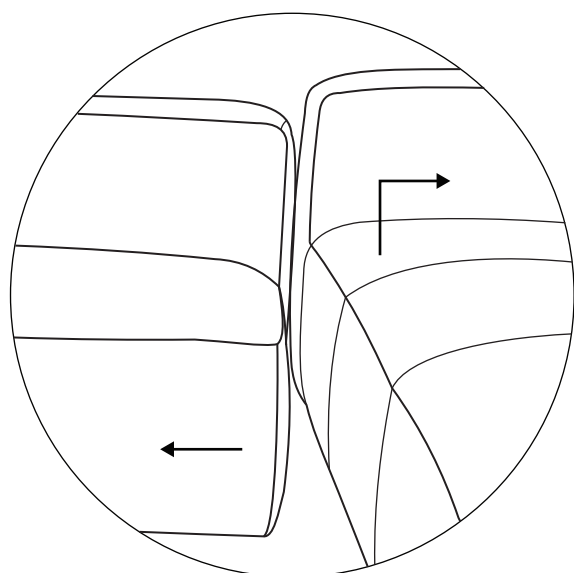
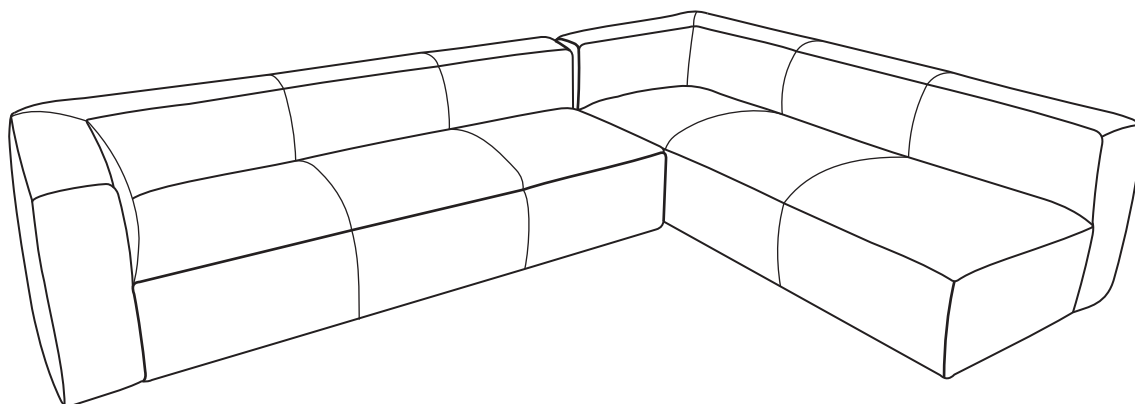
With the help of another person, carefully place the two sections of the sofa on its back on a soft surface. Remove rope tie that hold Alligator mechanisms. Then, rotate the Alligator Clips 90 degrees.



**STEP 2.**

With the help of another person, carefully place the two sections of the sofa upright. Align the Alligator Clips and Pegs, then push the two sections of the sofa together firmly. Enjoy!

## HOW TO SEPERATE SECTIONS



**STEP 1.**

To seperate sections, lift sections with Pegs straight up and out of the teeth of the Clips.

**STEP 2.**

Rotate Clips underneath the sections when not in use.

