

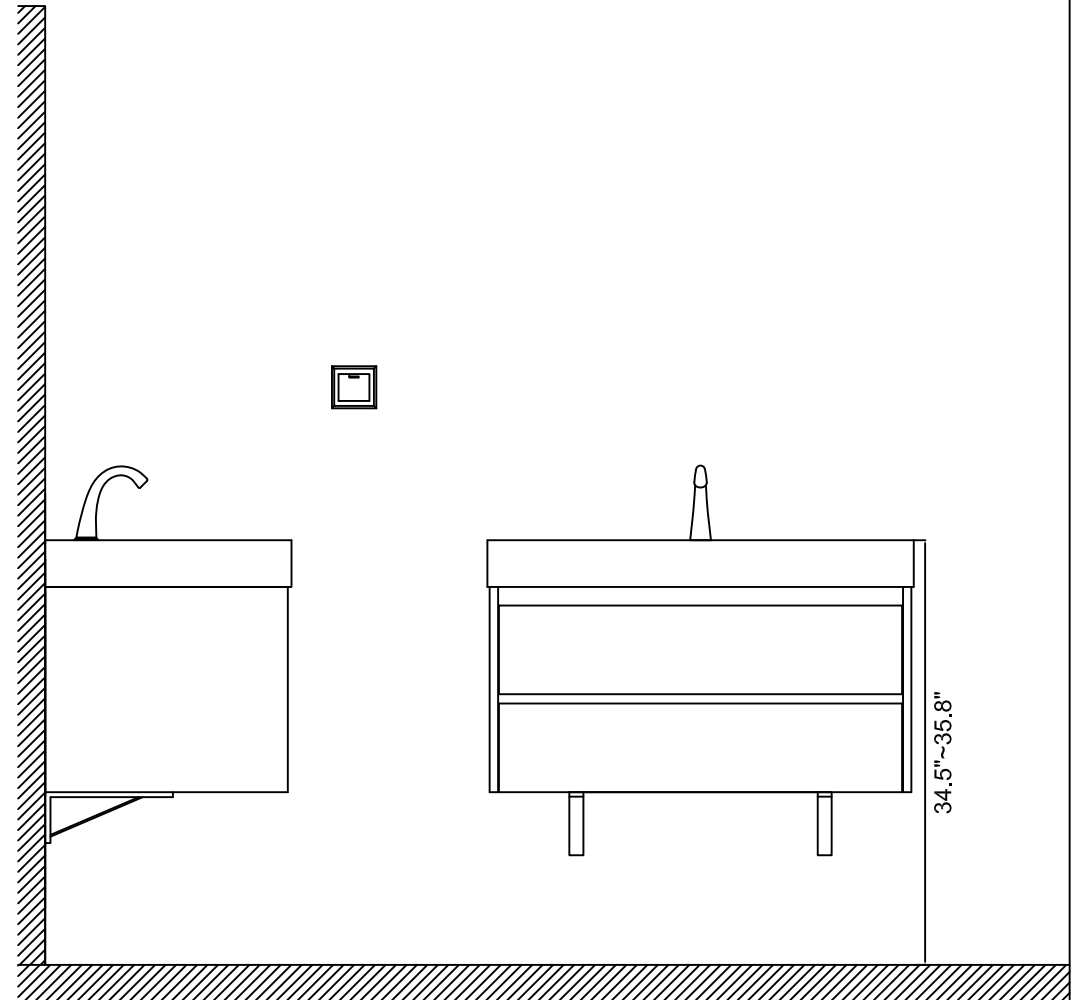
## INSTALLATION INSTRUCTIONS

**Confidential : A**

**SKU: VA4821V10WH**

**PROHIBIT COPY**

- Prior to installation please check received items against the Packing List .If any part is missing or damaged, please do not return the product to the store and contact us;  
Call: (302)336-8180  
Email: [vanityinservice@gmail.com](mailto:vanityinservice@gmail.com)
- Protect all surfaces from sharp objects , high heat sources,direct prolonged sunlight and chemical hazards .
- Professional installation is recommended !



# INSTALLATION INSTRUCTIONS

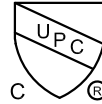
Confidentialal : A

SKU: VA4821V10WH

**PROHIBIT COPY**

## NOTE

1. Ceramic sink: cUPC certified.



2. LED light :

a. The LED light is replaceable, if it is damaged, please contact us ;

Call: (302)336-8180

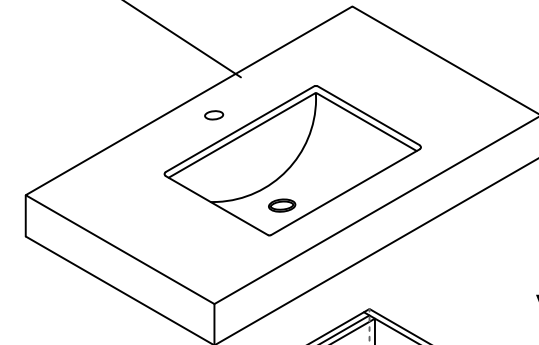
Email: vanityinservice@gmail.com

b. LED light should be connected to the wall switch for turning on/off.

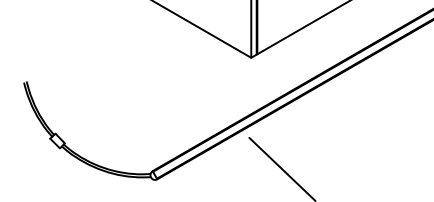
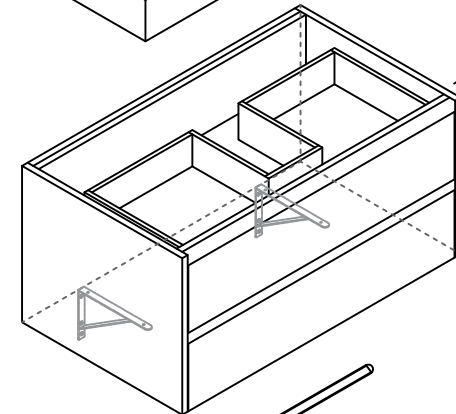
c. UL certified & IP67 for water proof.



Marble top with ceramic sink

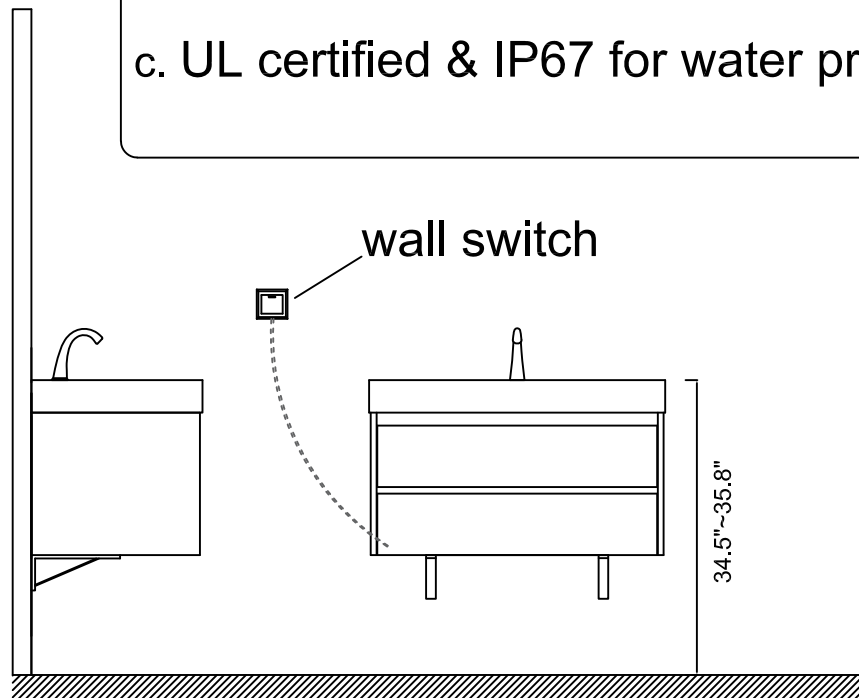


Vanity



LED light

( pre-assembled on the bottom of the vanity )



# INSTALLATION INSTRUCTIONS

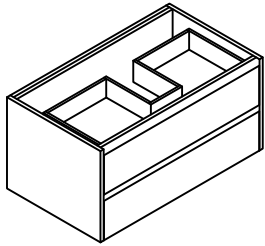
Confidential : A

SKU: VA4821V10WH

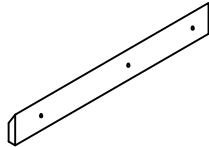
**PROHIBIT COPY**

## PACKING LIST

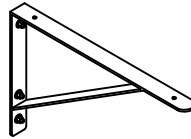
A Main Vanity  
1 PC



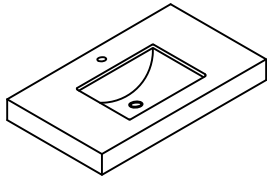
B Wood Cleat  
1 PC



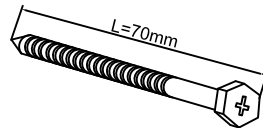
C Metal Bracket  
2 PCS



D TOP  
1 PC

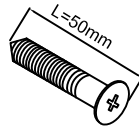


E Wood Screw  
4 PCS



M6 x 70

F Wood Screw  
8 PCS



M5 x 50

G Wood Screw  
4 PCS

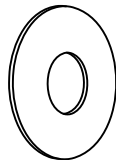


M4 x 15

H Wall Anchor  
12 PCS



I Metal Washers  
4 PCS



## TOOLS REQUIRED

Drill Bits



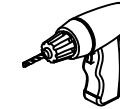
Ø3/8" (8mm)dia.

HSS

Screw Driver



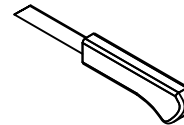
Drill



Level



Knife



Glove



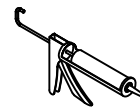
MASONRY DRILL BIT FOR  
TILE Ø3/8" (8mm)



Safety Glasses



Silicone



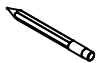
Measuring Tape



Soft Head  
Hammer



Pencil



Wood stud finder



# INSTALLATION INSTRUCTIONS

**Confidential : A**

**SKU: VA4821V10WH**

**PROHIBIT COPY**

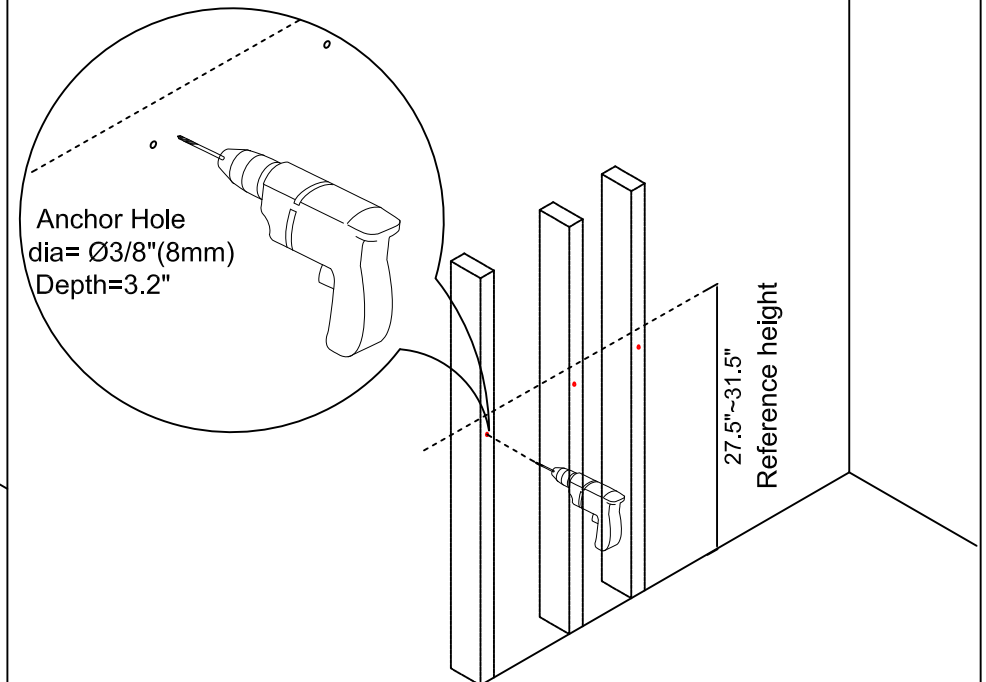
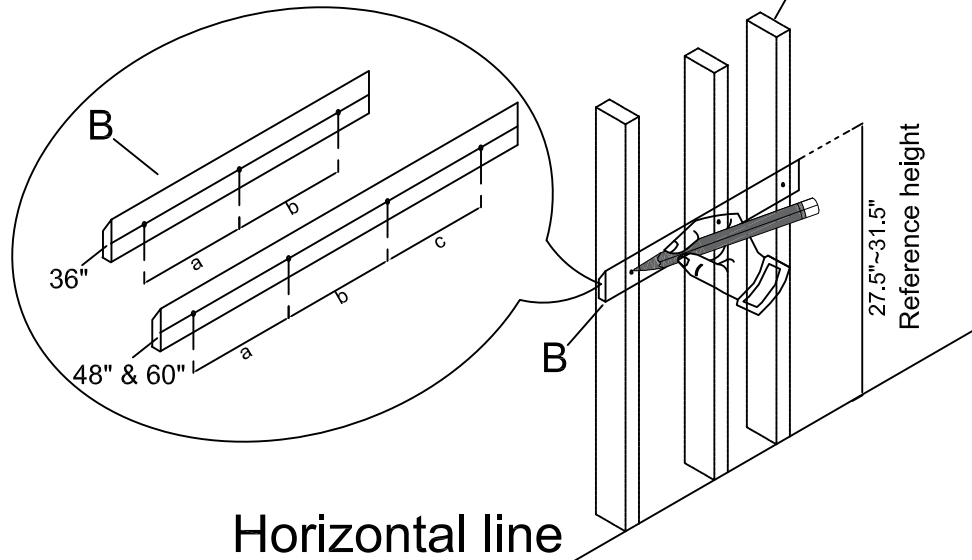
- STEP 1:**
- Use a wood stud finder to locate the wood studs behind the walls.
  - Use a pencil to mark the installation location for the **Wood Cleat (B)**.
  - Use a level to ensure the **Wood Cleat (B)** will be level before installing to the wall.

- STEP 2:** Drill the anchor holes according to the marks using a drill.

NOTE

Make sure the screw holes must be on the wood studs otherwise the vanity will fall out because the dry wall cannot hold the cabinet.

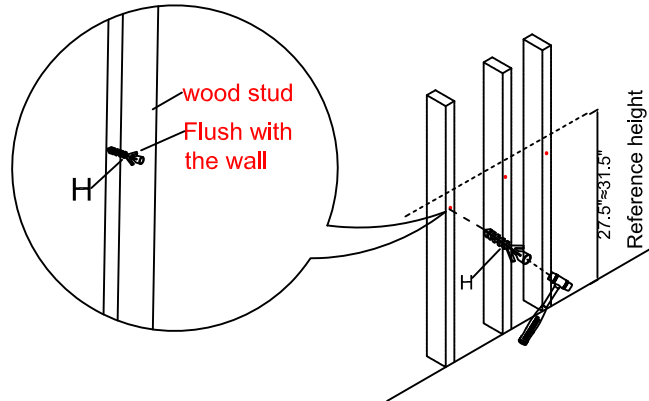
vanity	hole	a	b	c
36"	3	12"	12"	-
48"	4	12"	12"	12"
60"	4	12"	24"	12"



# INSTALLATION INSTRUCTIONS

**SKU: VA4821V10WH**

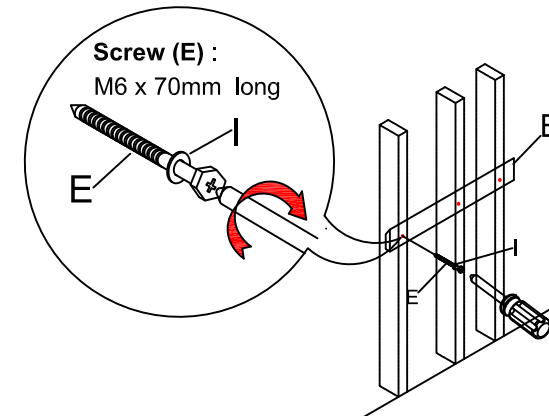
**STEP 3:** Install the **Wall Anchors (H)** provided into the wall with hammer.



**Confidential : A**

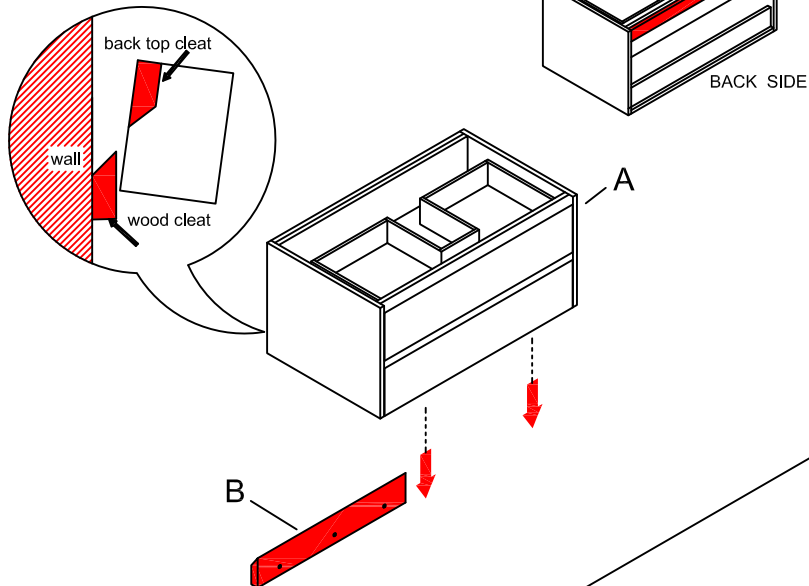
**PROHIBIT COPY**

**STEP 4:** Install the **Wood cleat (B)** to the wood studs by screw driver.



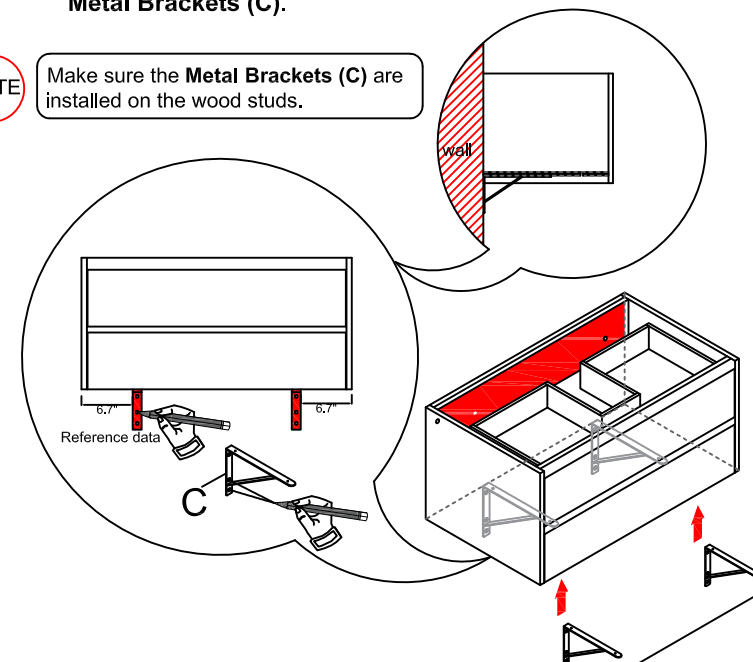
**STEP 5:** With help from another person, carefully hang the **Vanity (A)** onto the **Wood Cleat (B)**.

**NOTE** When installing the **Wood Cleat (B)** make sure the angle cut is facing the wall.



**STEP 6:** Using a pencil to mark the installation location for the **Metal Brackets (C)**.

**NOTE** Make sure the **Metal Brackets (C)** are installed on the wood studs.

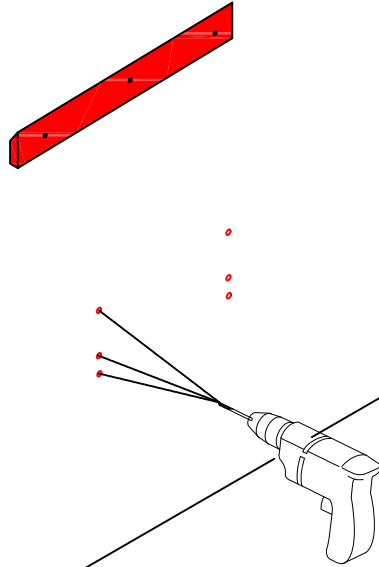


# INSTALLATION INSTRUCTIONS

**SKU: VA4821V10WH**

**STEP 7:** Carefully remove the **Vanity (A)** with the help from another person, and then drill the anchor holes according to the marks using a drill.

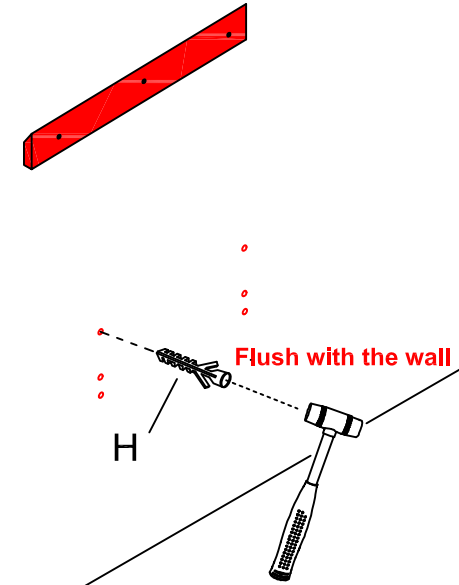
Anchor Hole  
dia=  $\varnothing 3/8"$ (8mm)  
Depth=3.2"



**Confidential : A**

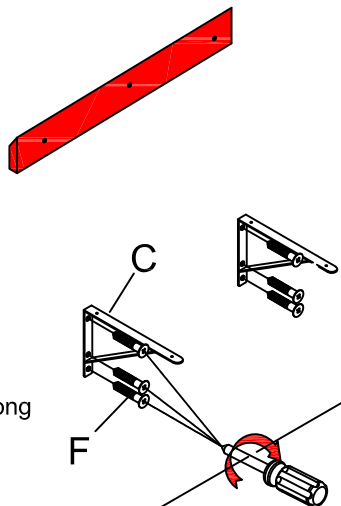
**PROHIBIT COPY**

**STEP 8:** Install the **Wall Anchors (H)** provided into the wall with hammer.

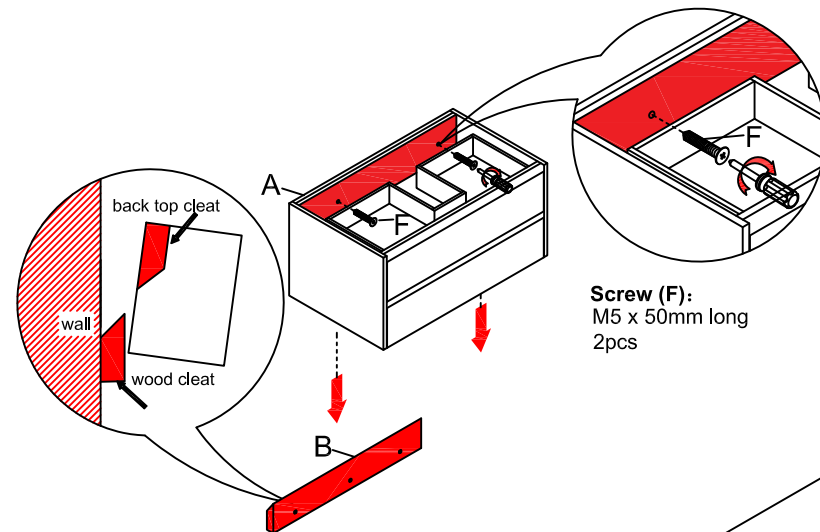


**STEP 9:** Install the **Metal Brackets (C)** to the wood studs by screw driver.

**Screw (F):**  
M5 x 50mm long  
6pcs



**STEP 10:** Hang the **Vanity (A)** to the wall and then connect the **Vanity (A)** to the **Wood Cleat (B)** with the 2 **Screws (F)** provided.

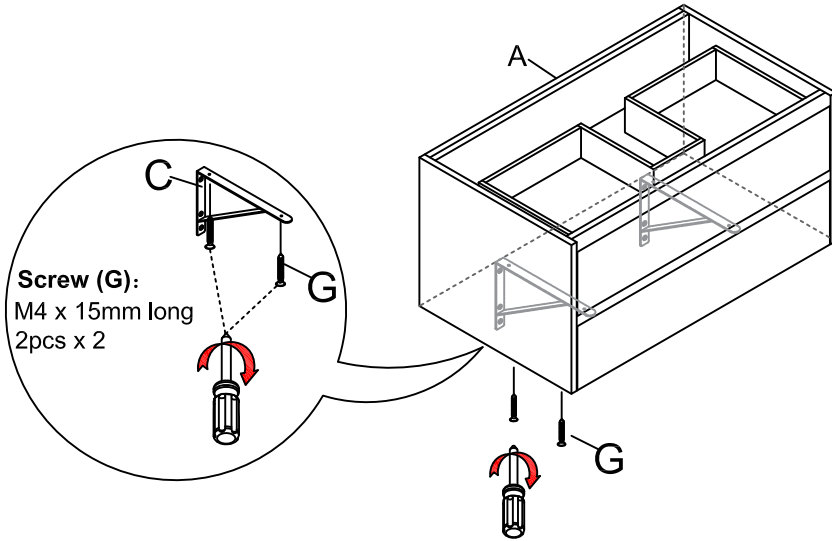


**Screw (F):**  
M5 x 50mm long  
2pcs

# INSTALLATION INSTRUCTIONS

**SKU: VA4821V10WH**

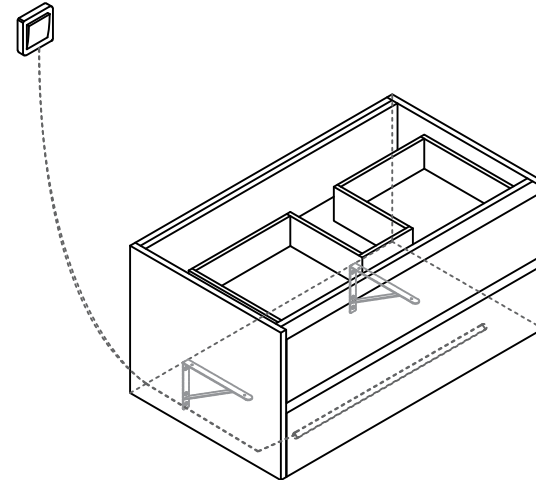
STEP 11: Connect the **Metal Brackets (C)** to the **Vanity (A)** with **Screws (G)**.



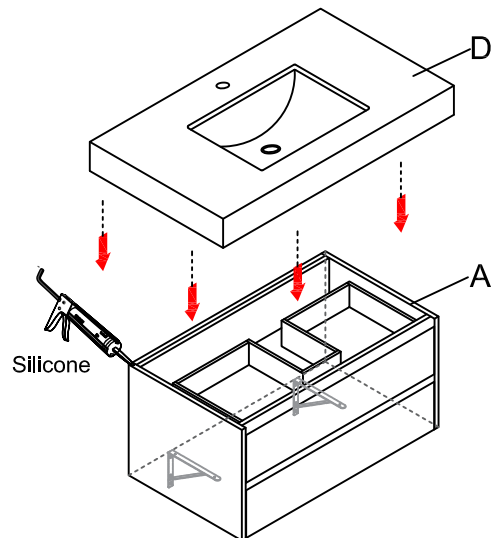
**Confidentialal : A**

**PROHIBIT COPY**

STEP 12: Connect the electrical wire to the wall switch for turning on/off.



STEP 13: Apply the silicone to the top of the **Vanity (A)** and then install the **Top (D)** onto the **Vanity (A)** with the help from another person.



STEP 14: Let the vanity sit for 24 hours before use.

