

READ AND SAVE THIS INSTRUCTIONS FOR FUTURE USE

Tools Recommended

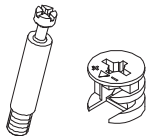



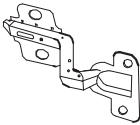
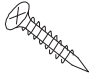
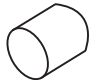
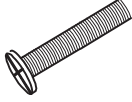
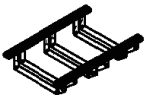
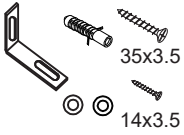
ASSEMBLY & INSTRUCTION MANUAL

PACKING DETAILS: TOTAL 2 BOXES

BOX-1/2

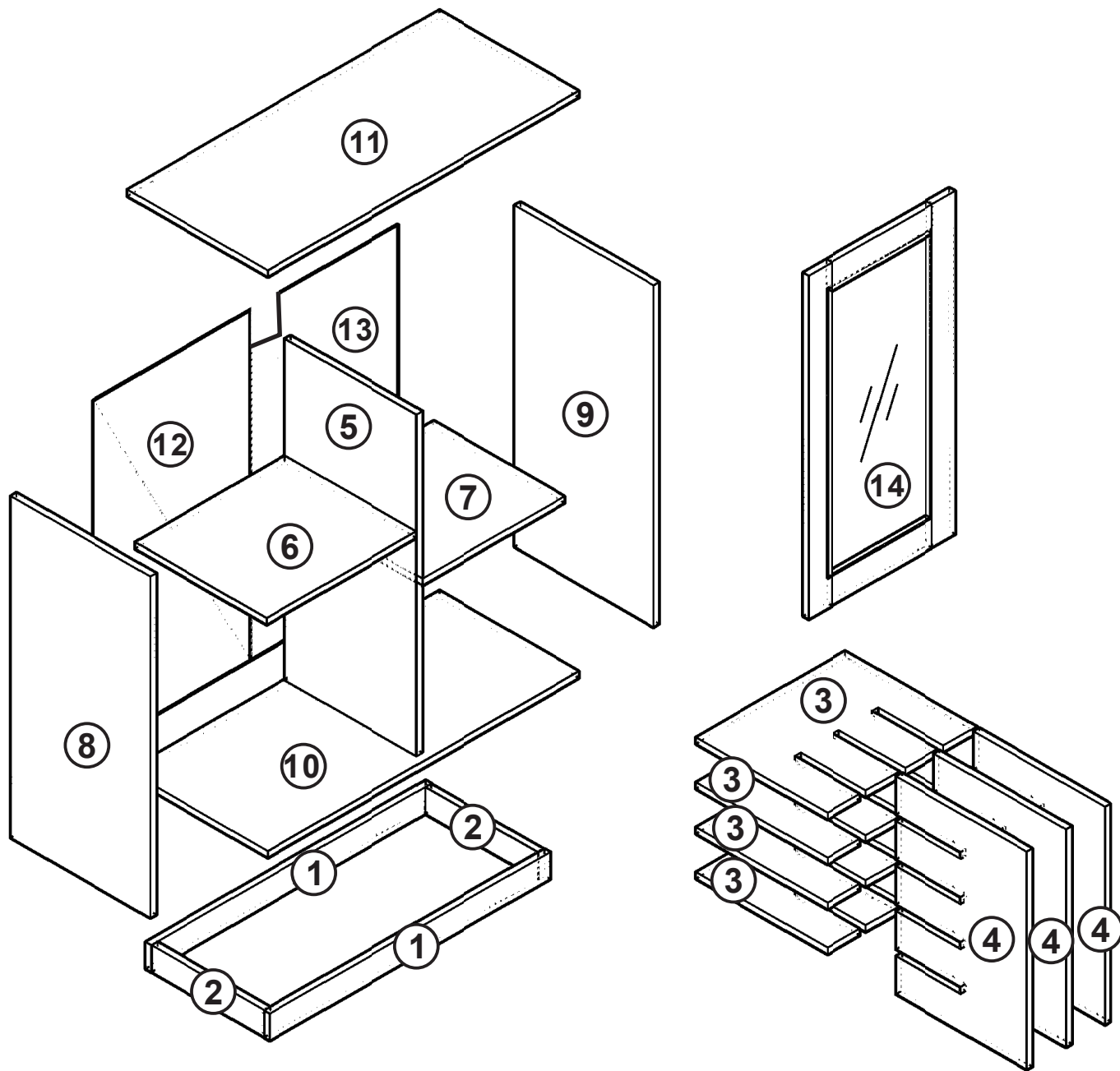
PART NO.	QTY
③	4
⑥	1
⑦	1
⑩	1
⑪	1

BOX-1/2

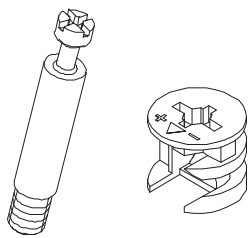
NO.	PARTS	QTY
A		30
B		20
C		40
D		4
E		2
F	 14x3.5mm	16
G		1
H		1
I		1
J	 35x3.5 14x3.5	1

BOX-2/2

PART NO.	QTY
①	2
②	2
④	3
⑤	1
⑧	1
⑨	1
⑫	1
⑬	1
⑭	1



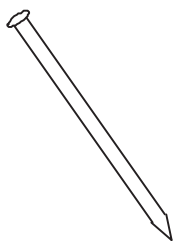
A x30



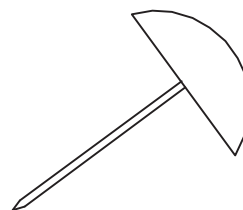
B x20



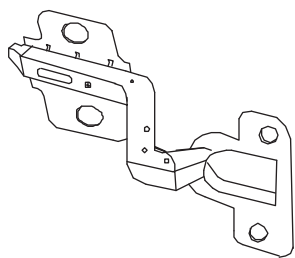
C x40



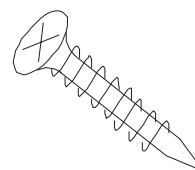
D x 4



E x2

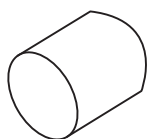


F x16

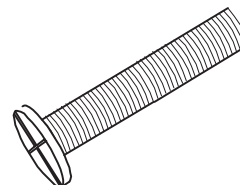


14x3.5mm

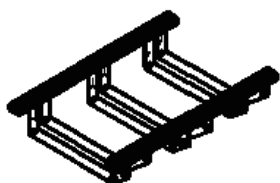
G x1



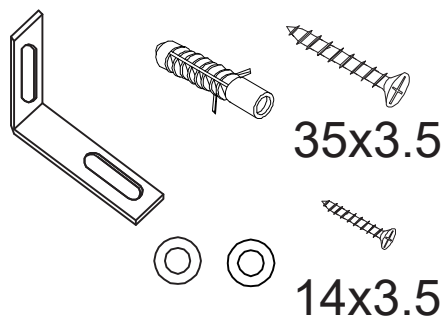
H x1

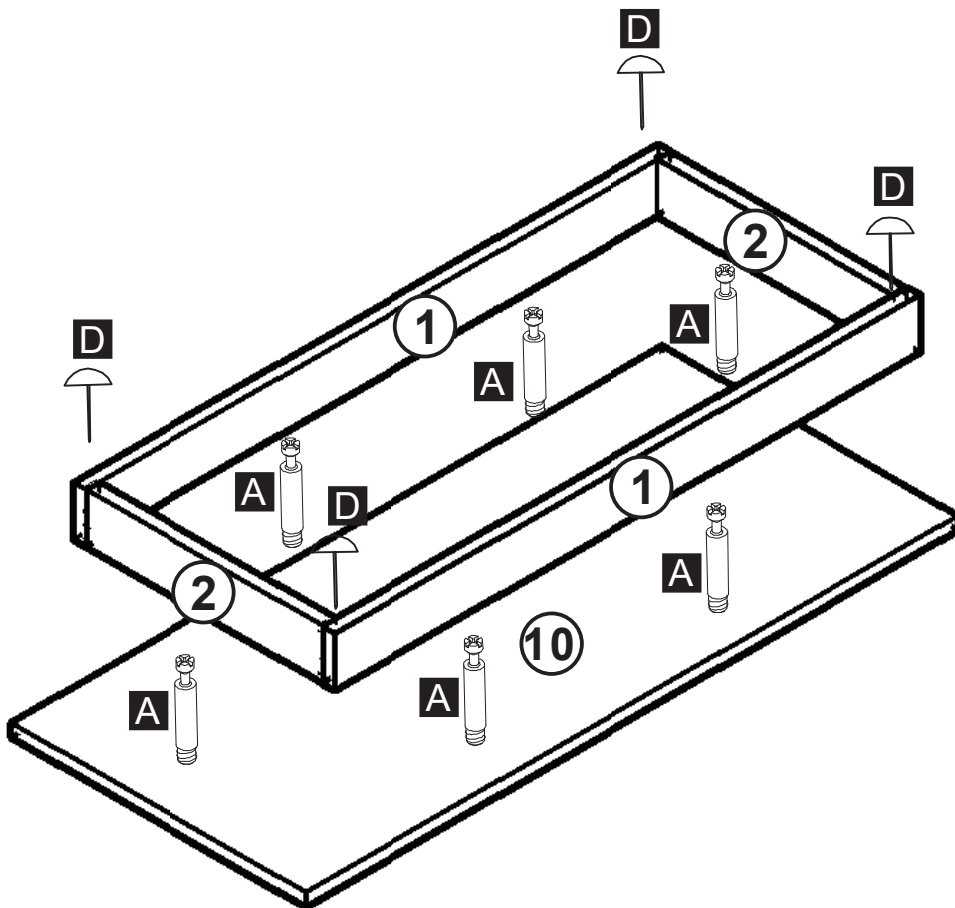
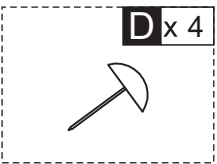
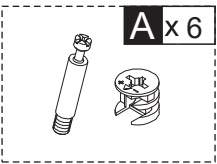
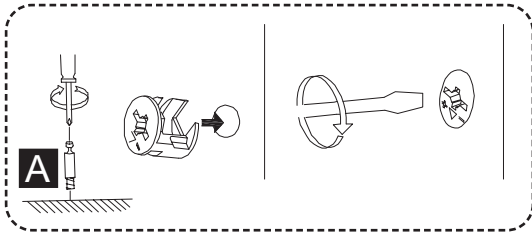
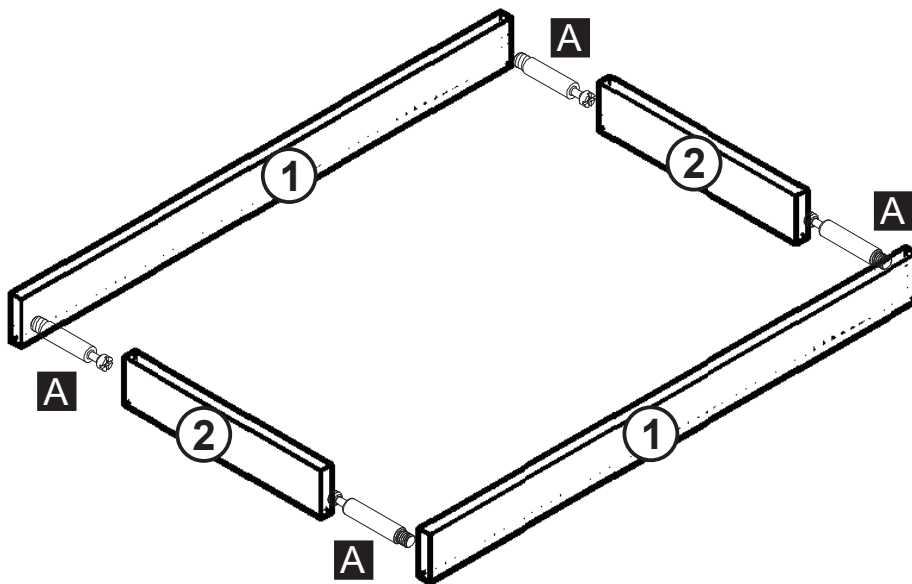
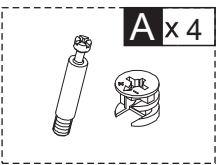


I x1



J x1

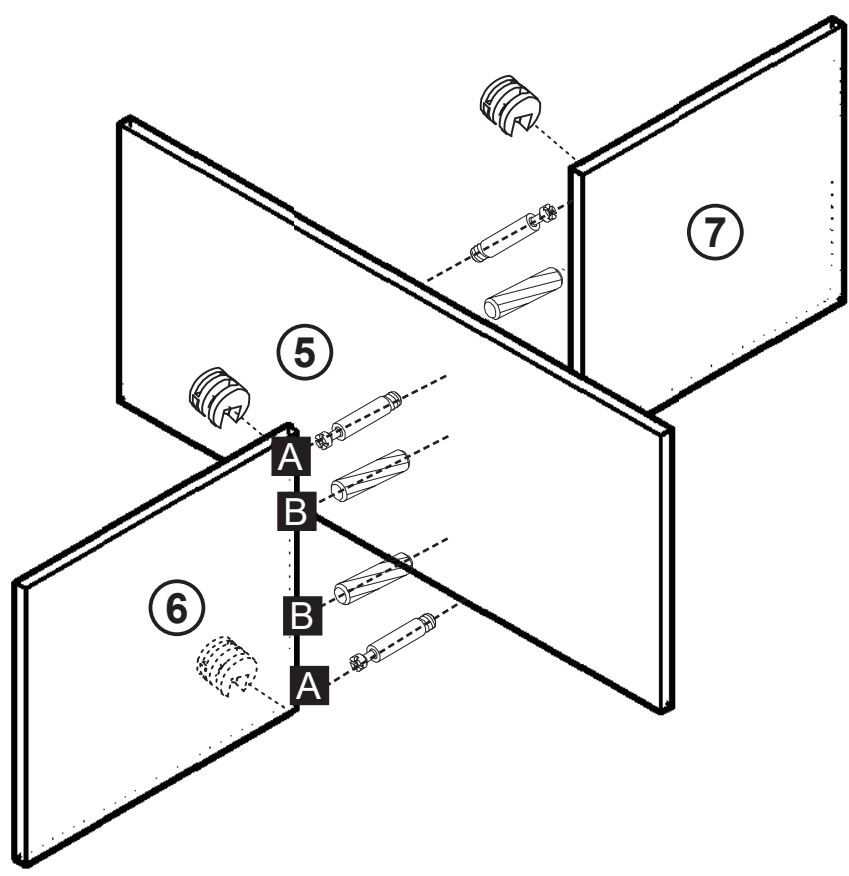




A x4



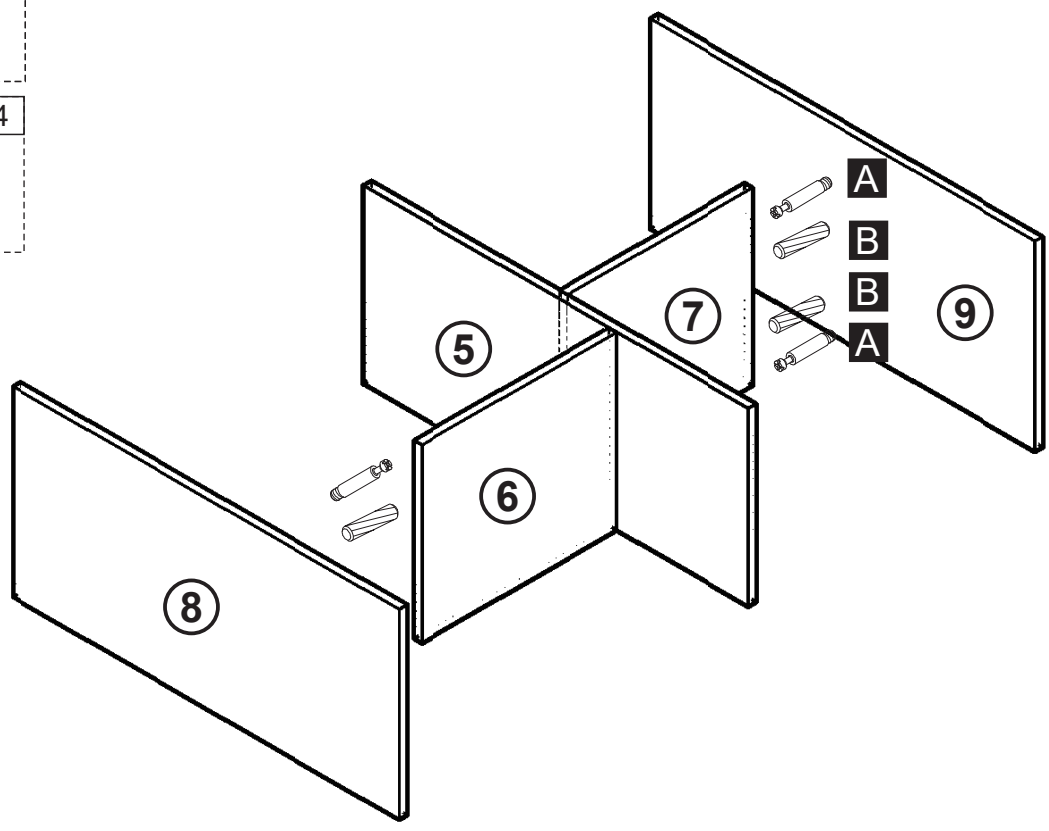
B x4

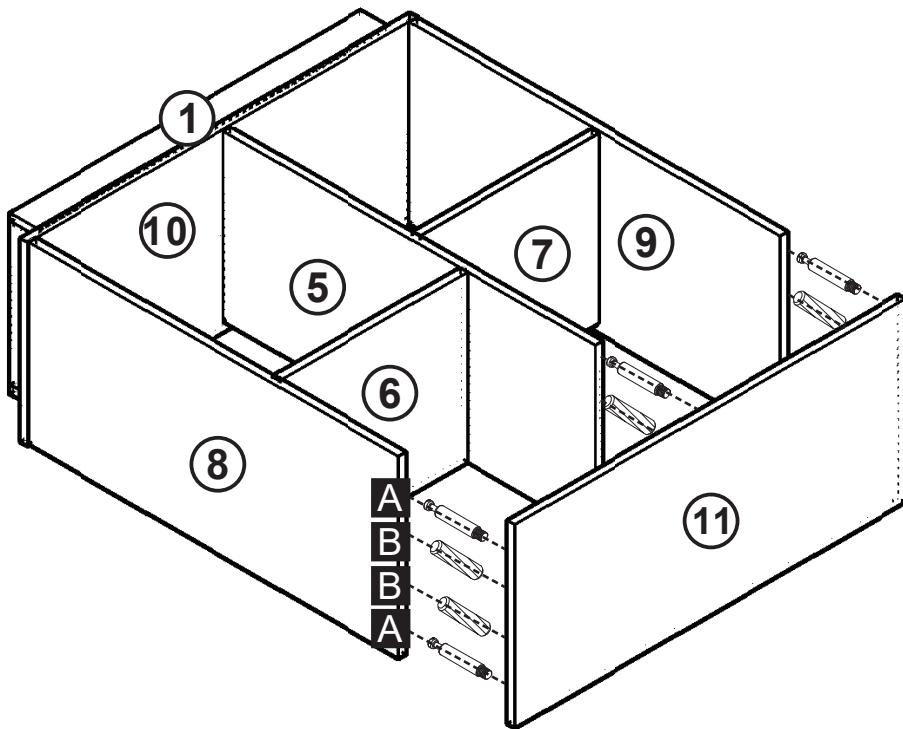
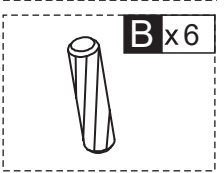
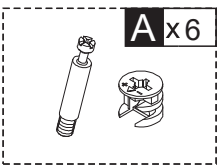
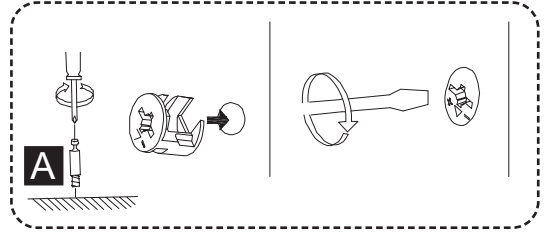
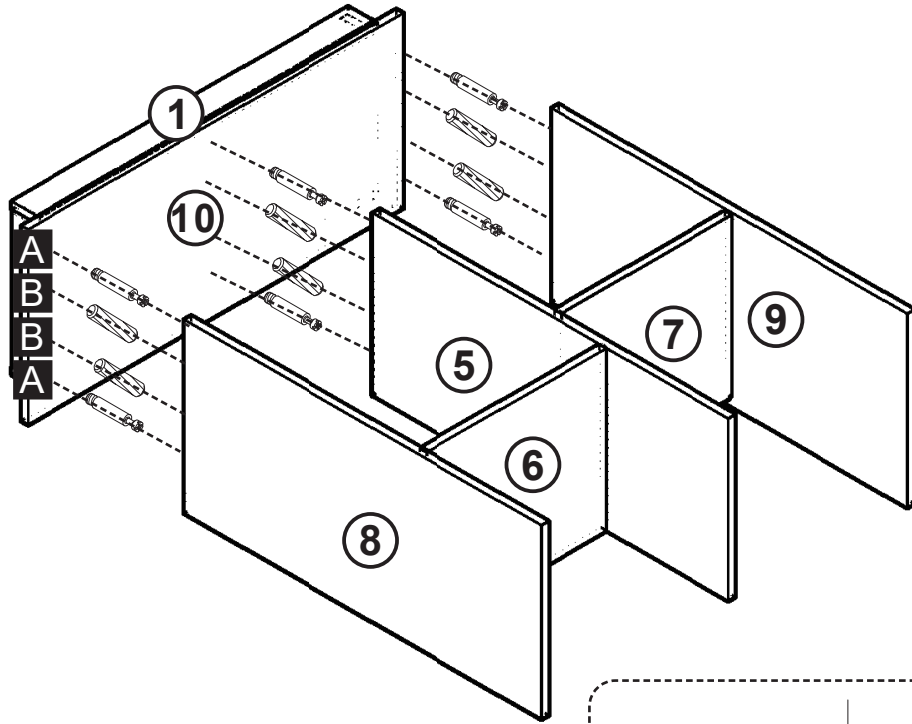
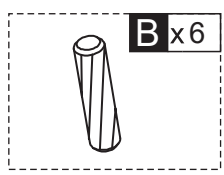
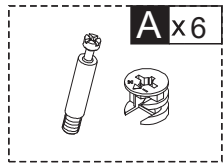


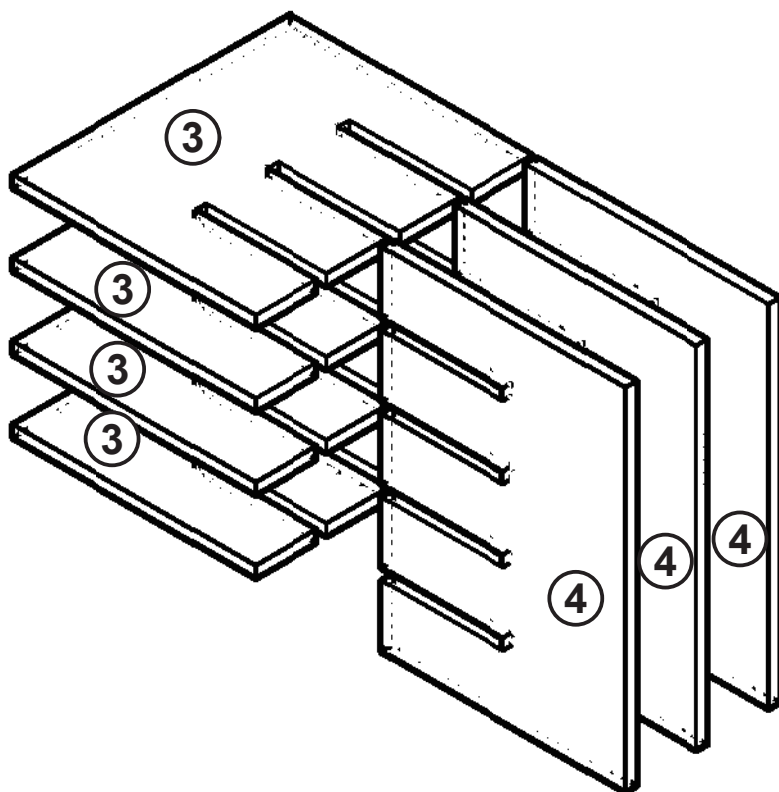
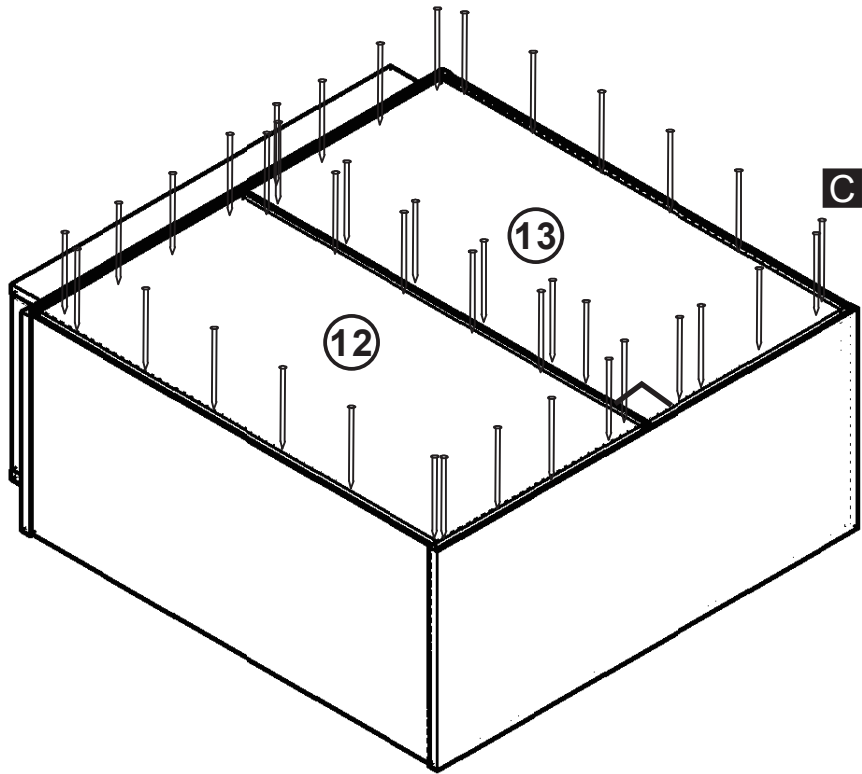
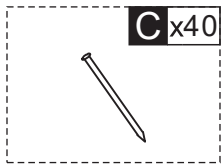
A x4

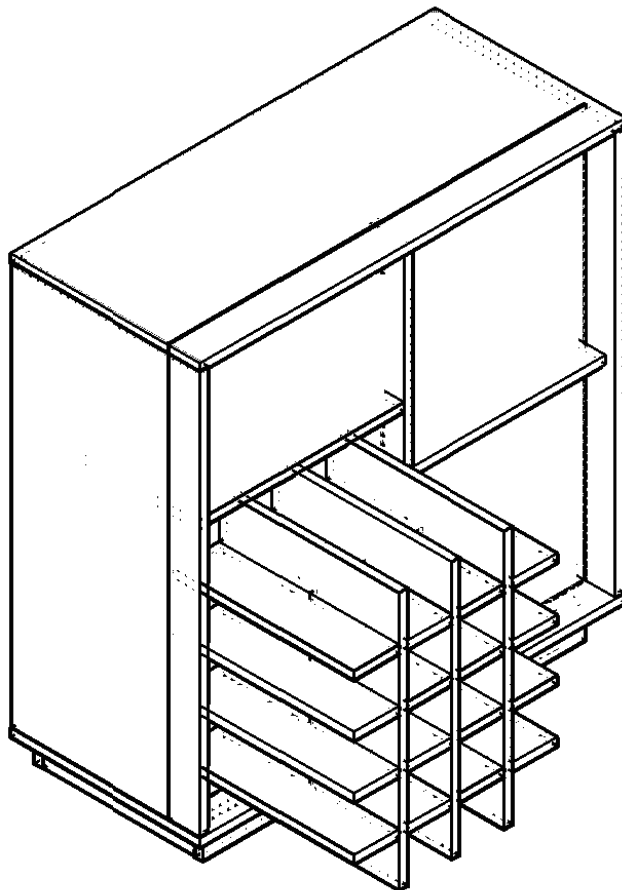


B x4







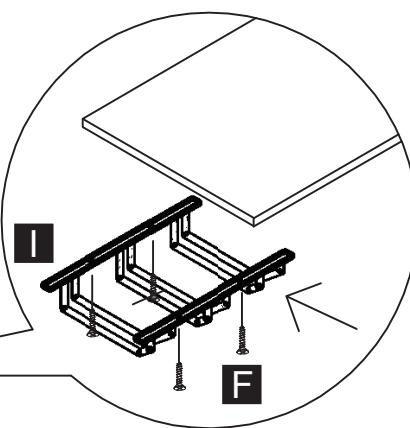
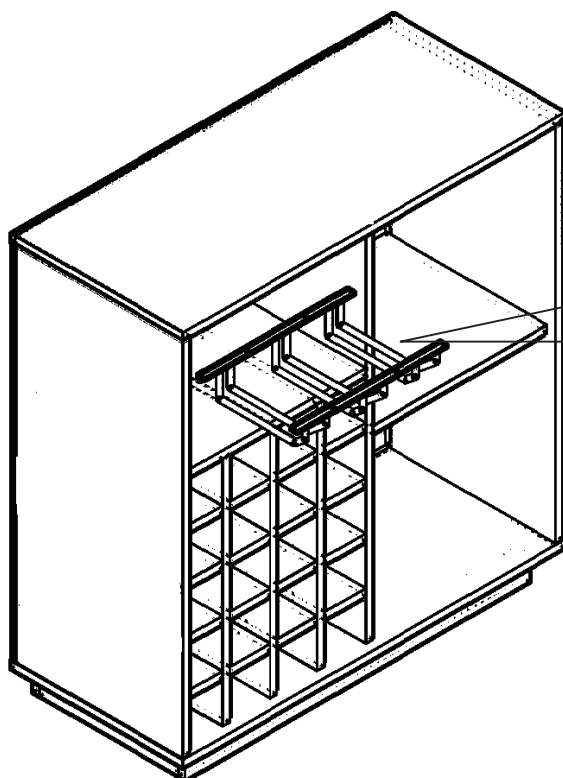
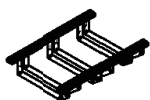


F x12



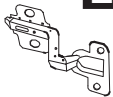
14*3.5mm

I x1



11

E x2

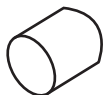


F x12

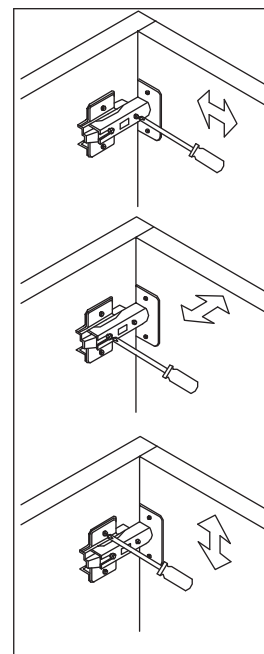
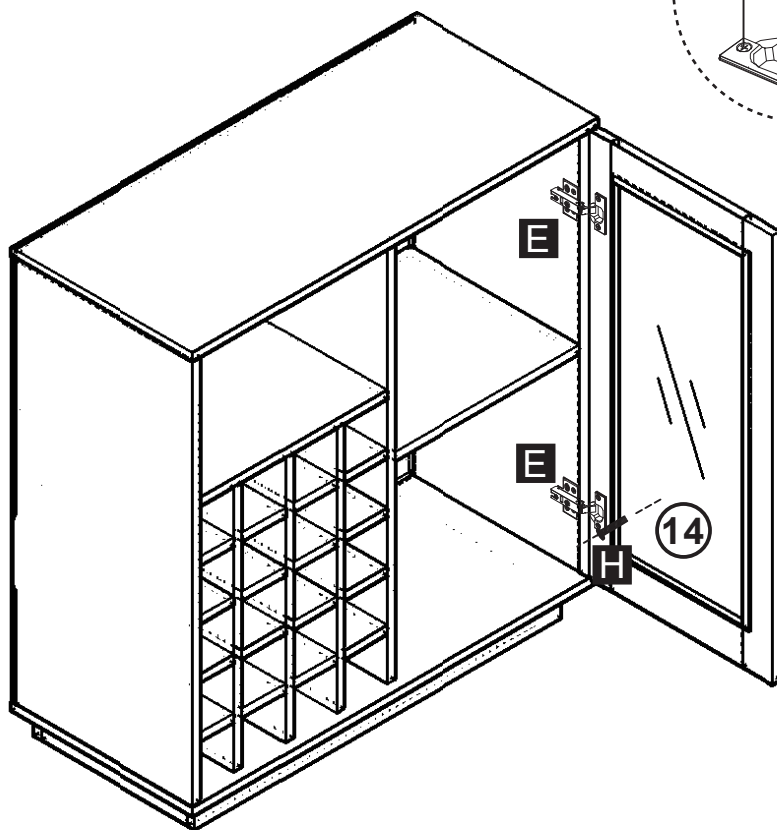
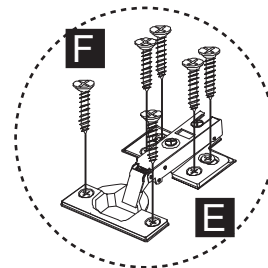
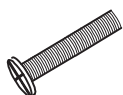


14*3.5mm

G x1

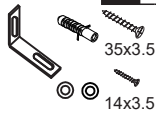


H x1



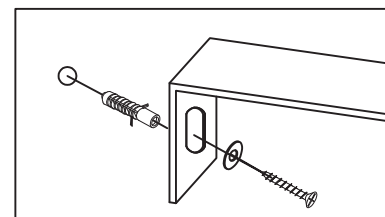
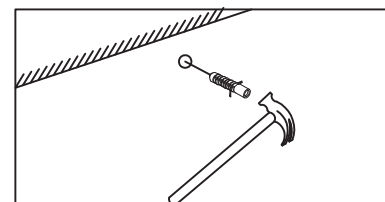
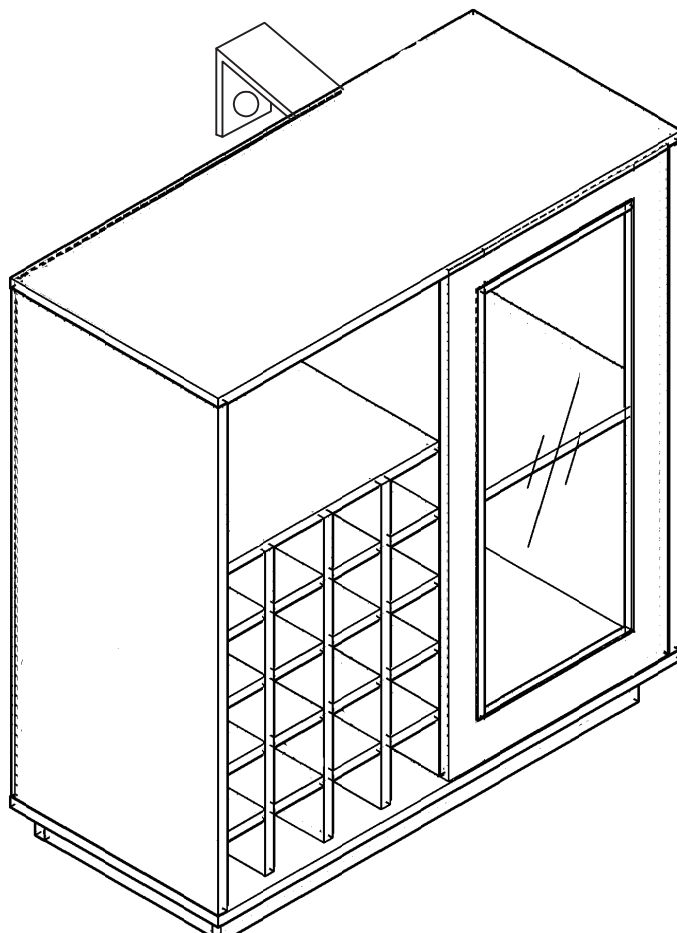
12

J x1



35x3.5

14x3.5



Done