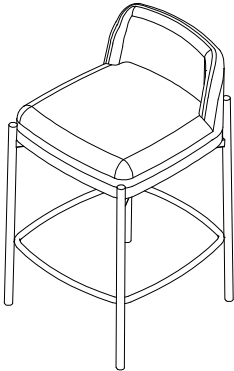
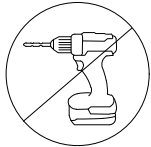


# ASSEMBLY INSTRUCTIONS



## + Do Not Use Power Tools



## + Suggested Adults



**NOTE:** For questions about parts or assembly please email [support@meridianfurnitureusa.com](mailto:support@meridianfurnitureusa.com) or call us at 718-758-4455.

- 1 Read instructions cover to cover.
- 2 Save all packaging until assembly is completed.

## 1 IMPORTANT SAFETY INFORMATION

**Do not** assemble the product if any of the following parts arrived damaged:

- Part 1 - Counter stool back leg
- Part 2 - Counter stool front leg
- Part 3 - Counter stool tread
- Part 4 - Counter stool cushion

**Do not** assemble if any of the following Hardware parts are missing:

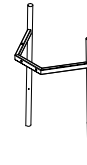
- Part A - Allen Key
- Part B - Bolt
- Part C - Bolt
- Part D - Bolt
- Part E - Shrapnel
- Part F - Gasket

## 2 IMPORTANT ASSEMBLY INFORMATION

**Assembly Step** If loosening persists, please make sure to tighten all the bolts periodically, or use a thread locker adhesive.

## + Parts Included

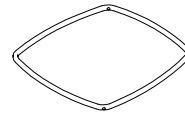
- ① Back leg x1pc



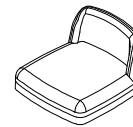
- ② Front leg x1pc



- ③ Tread x1pc



- ④ Cushion x1pc



## + Hardware Included

- A** Allen Key x1pc  
4#



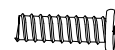
- B** Bolt x2pcs  
M6x35



- C** Bolt x4pcs  
M6x20



- D** Bolt x4pcs  
M6x45



- E** Shrapnel x4pcs  
Ø13

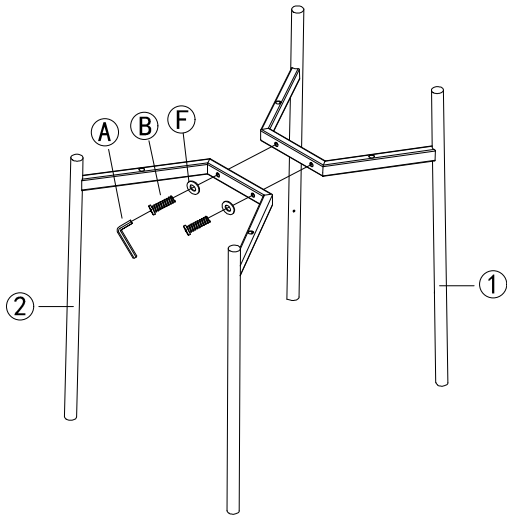


- F** Gasket x6pcs  
Ø16xØ6



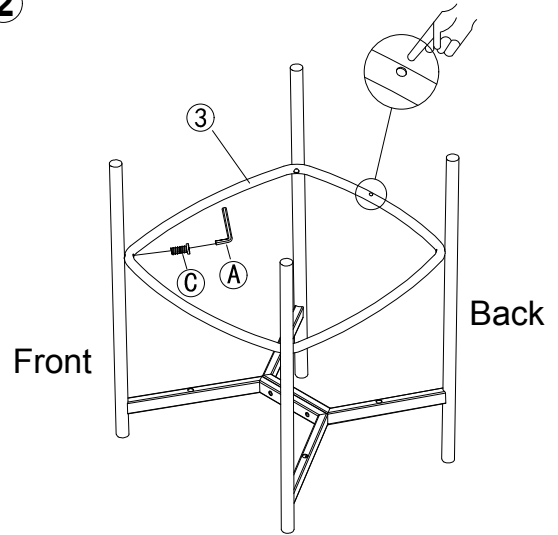
# ASSEMBLY INSTRUCTIONS

①



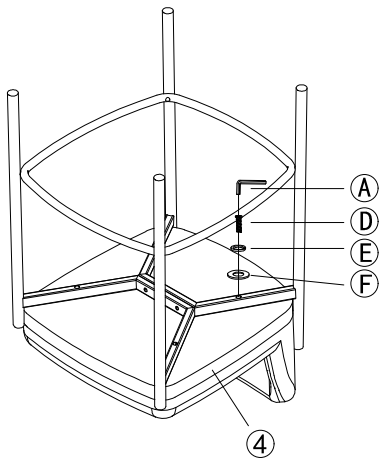
Don't lock the two bolts tightly first.

②

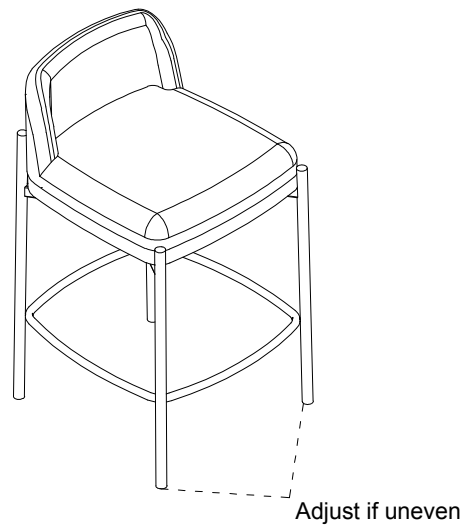


**WARNING:**The side with hole is on bottom.  
After assembling the ring, then lock the two screws tightly in the step 1.

③



④



**WARNING:**Assembly all the bolts then tighten one by one.