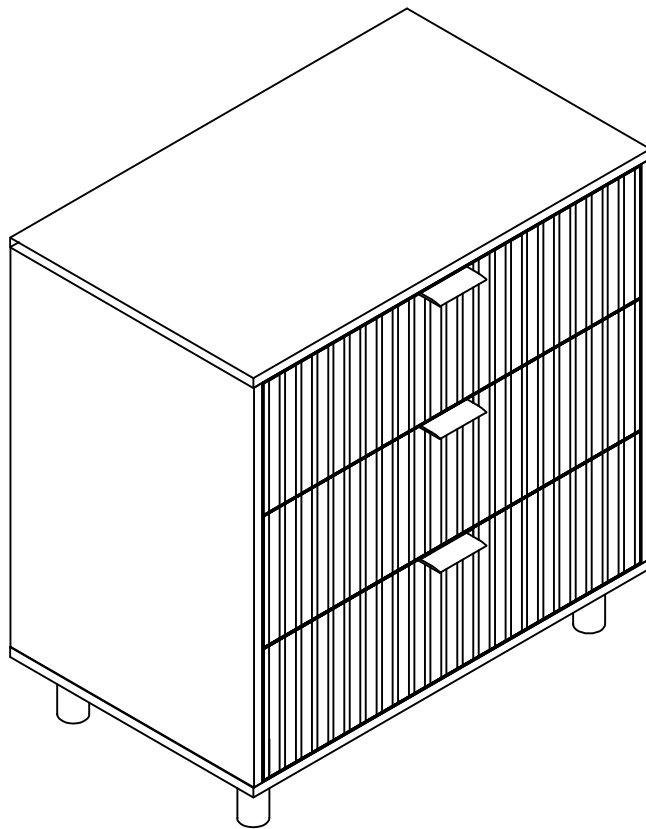
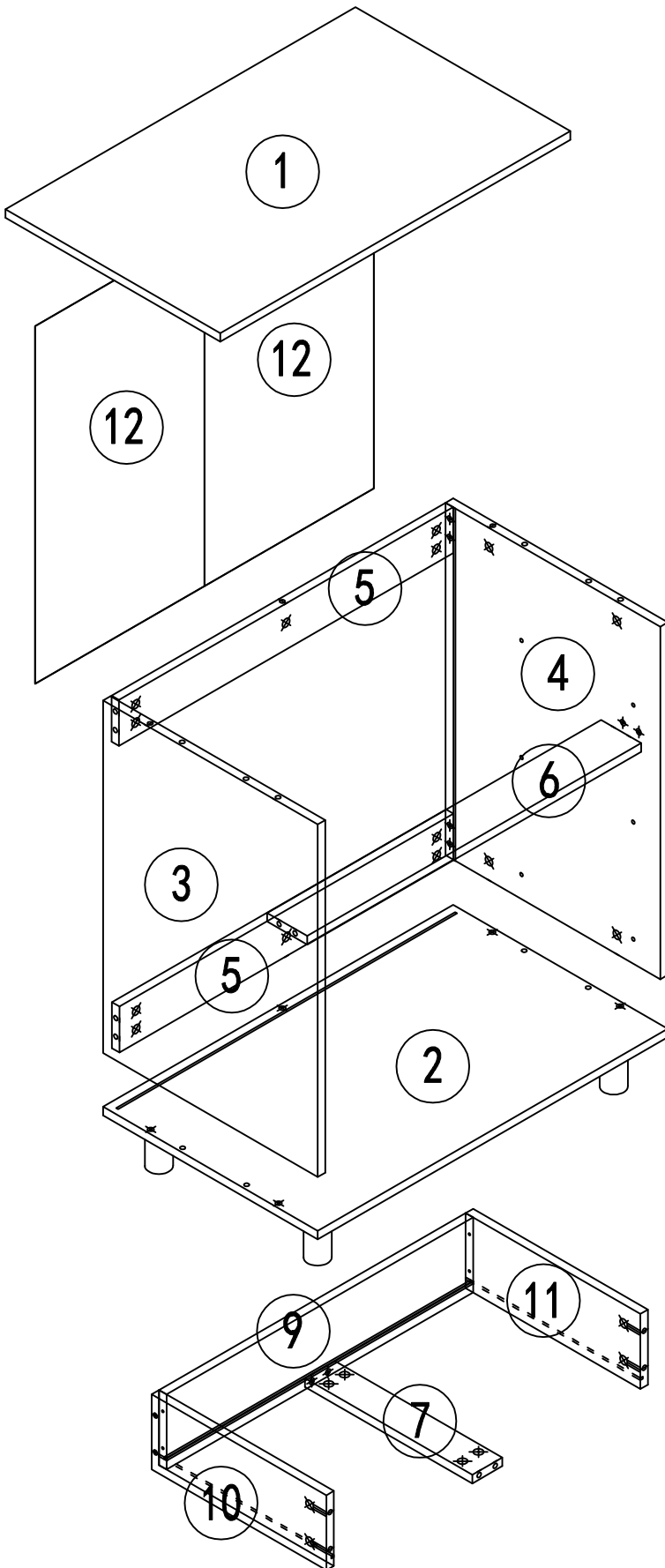
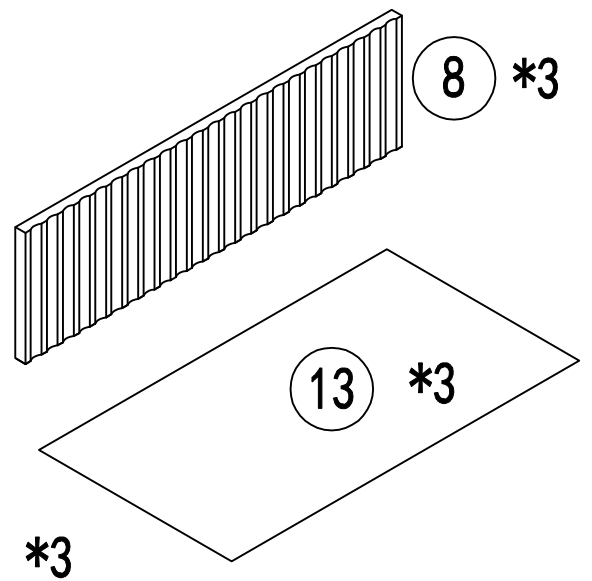


# Products Instructions

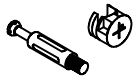




1	x 1
2	x 1
3	x 1
4	x 1
5	x 2
6	x 1
7	x 3
8	x 3
9	x 3
10	x 3
11	x 3
12	x 2
13	x 3



(A) x 46  
+2 Spare



(B) x 8  
+2 Spare



(C) x 50  
+2 Spare



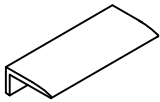
(D) x 12  
+1 Spare



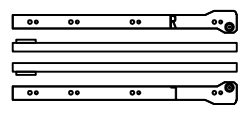
(E) x 6  
+2 Spare



(F) x 3



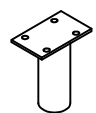
(G) x 3



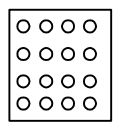
(H) x 10  
+2 Spare



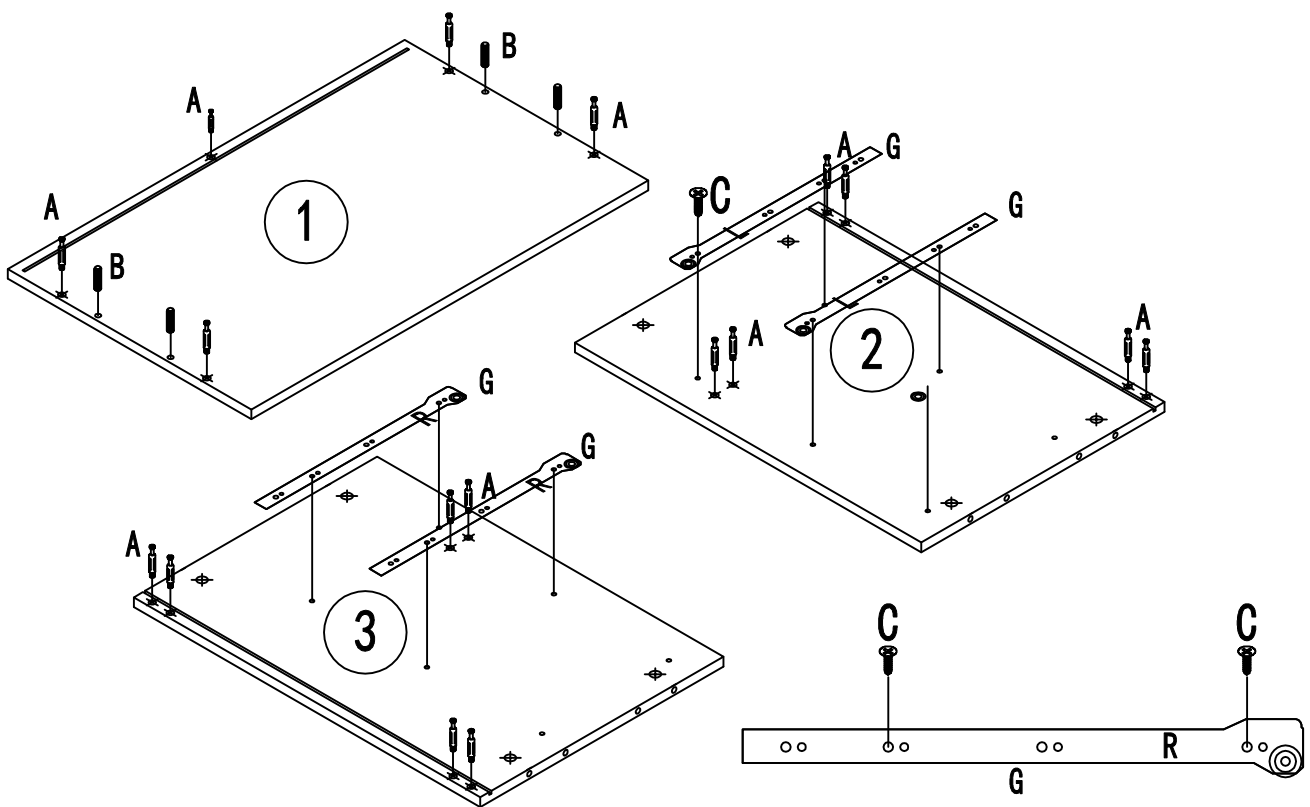
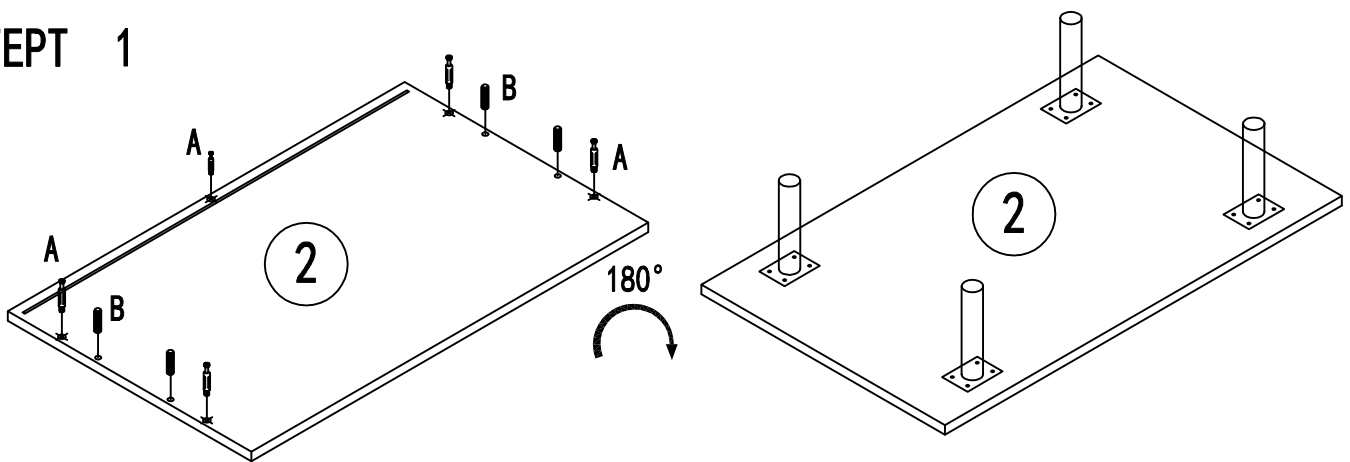
(J) x 4

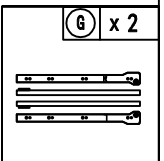
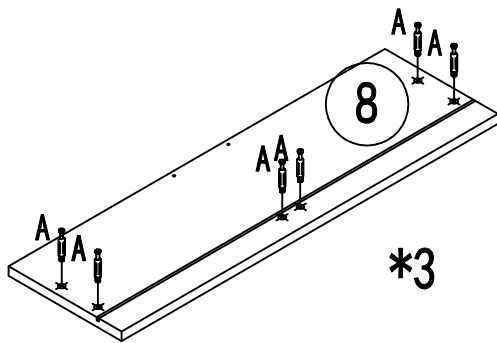
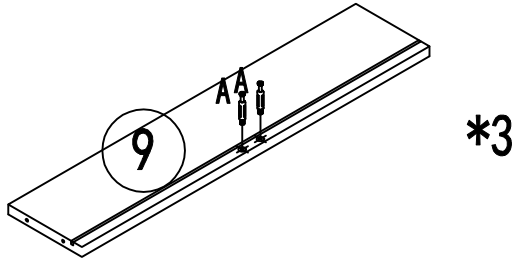






(K) x 16



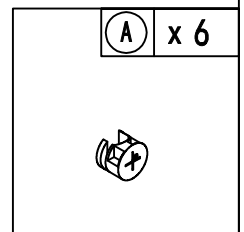
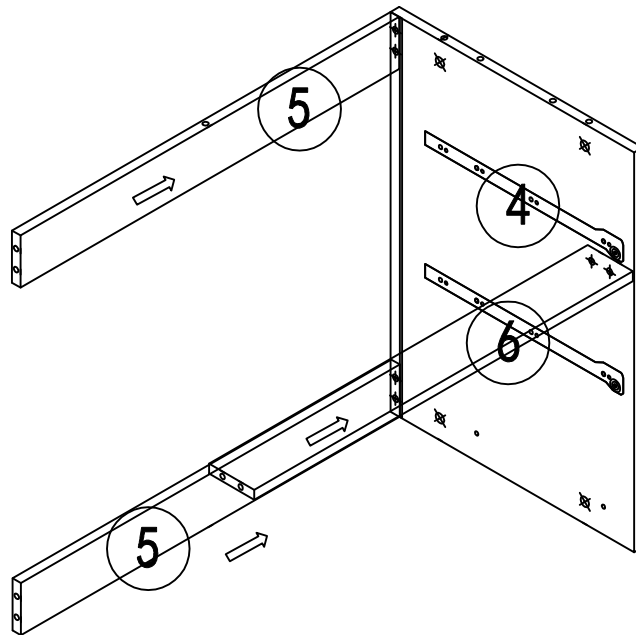
# STEP 1



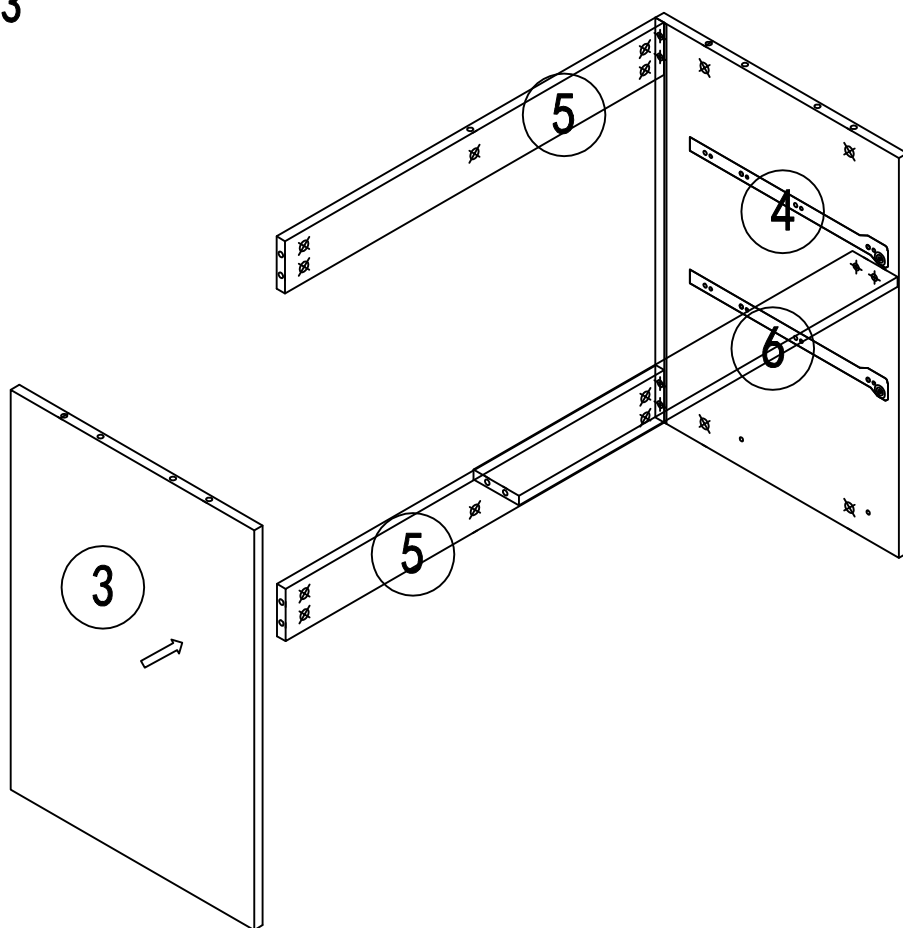
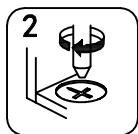


A x 46	B x 8	C x 24	J x 4
	 φ 8*30	 φ 3.5*14	

## STEP 2



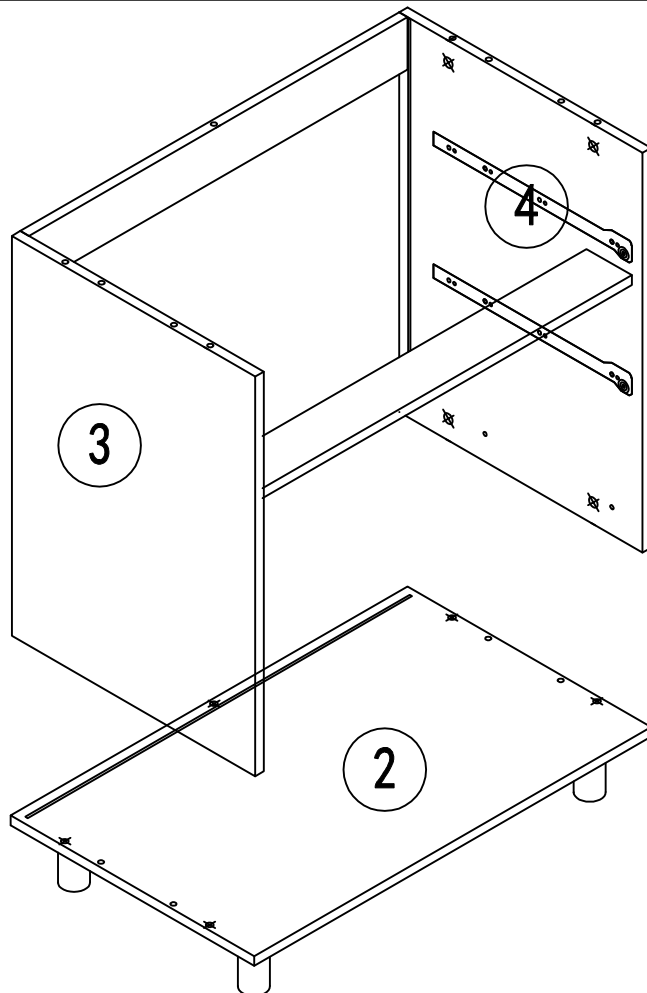
### STEP 3



(A) x 6



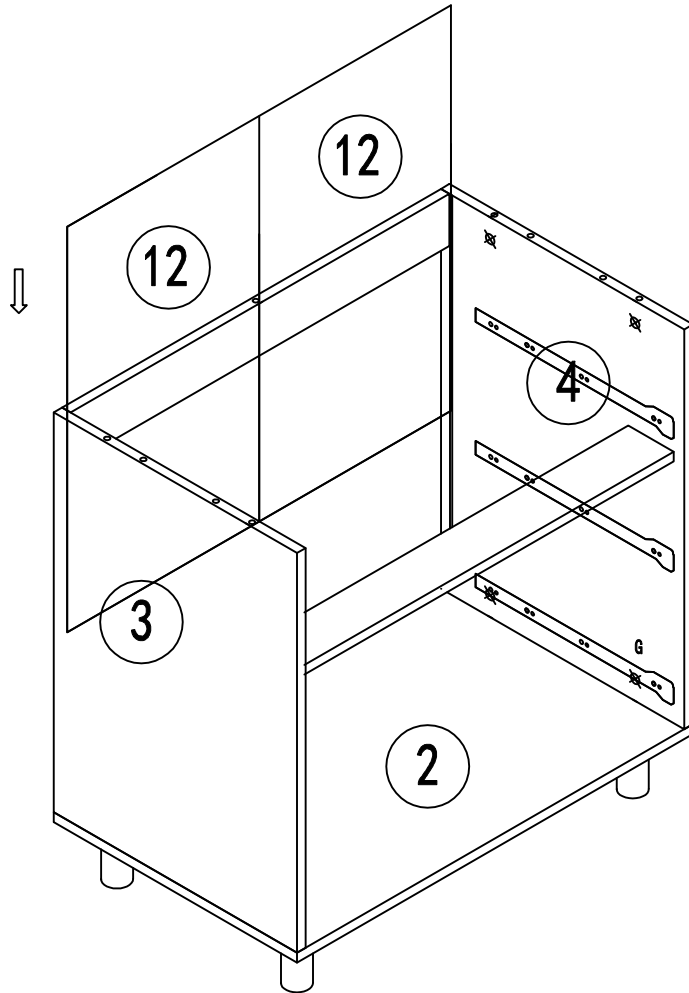
### STEP 4




(A) x 4



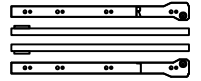
# STEPT 5



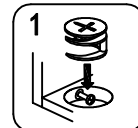
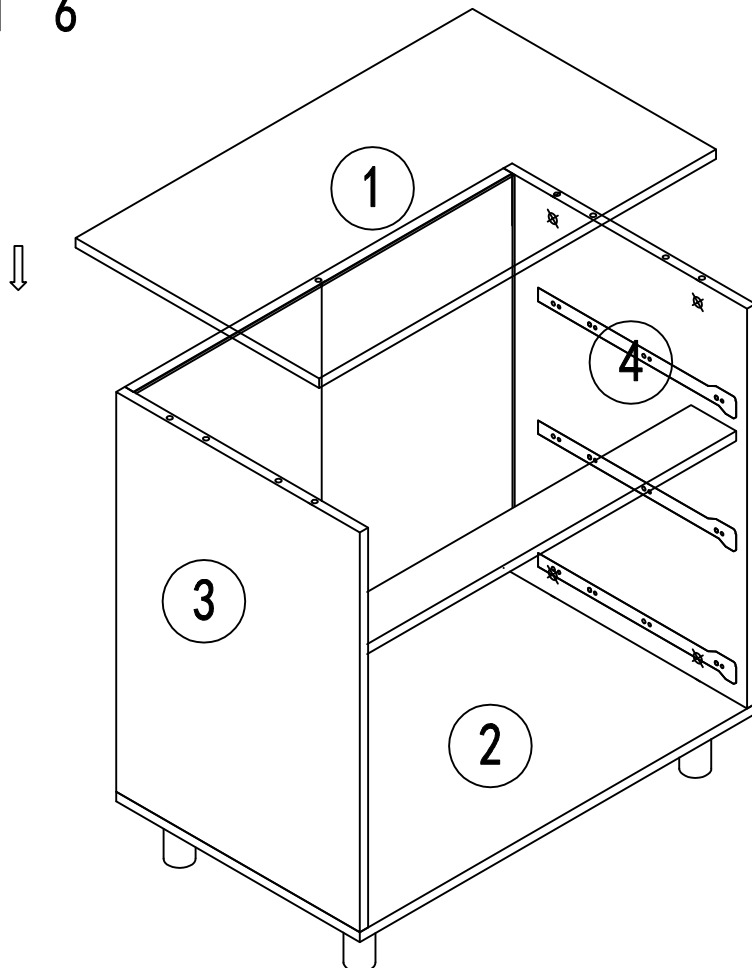
(C) x 4

  
φ3.5\*14

(G) x 1



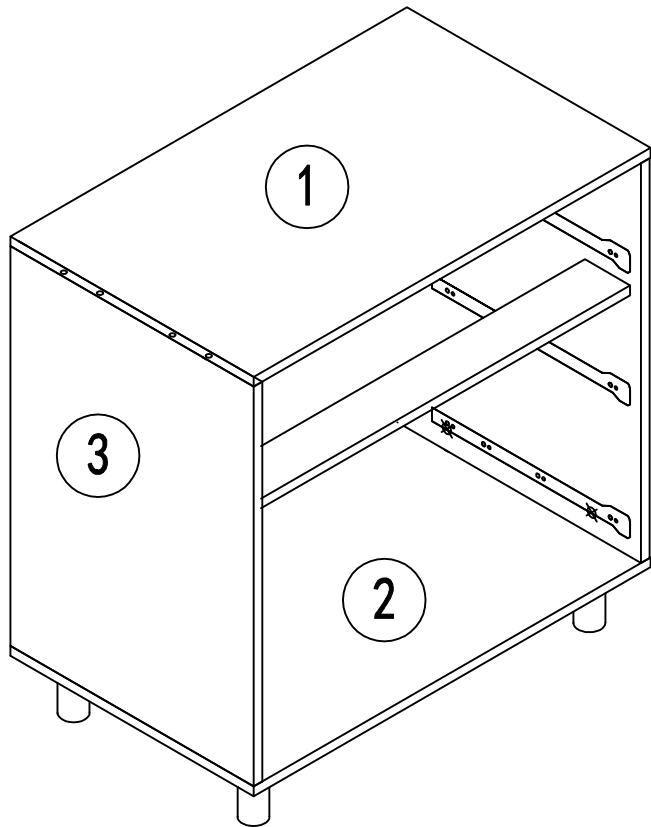
# STEPT 6



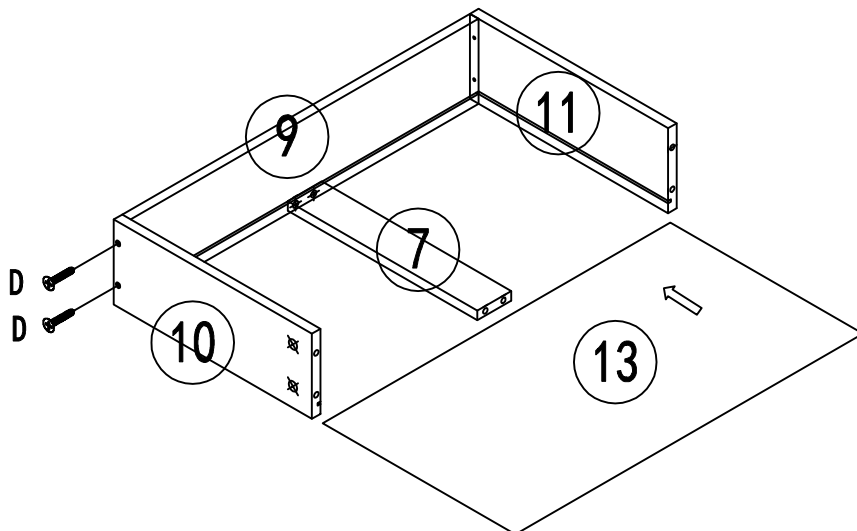
(A) x 4



# STEPT 7



# STEPT 8

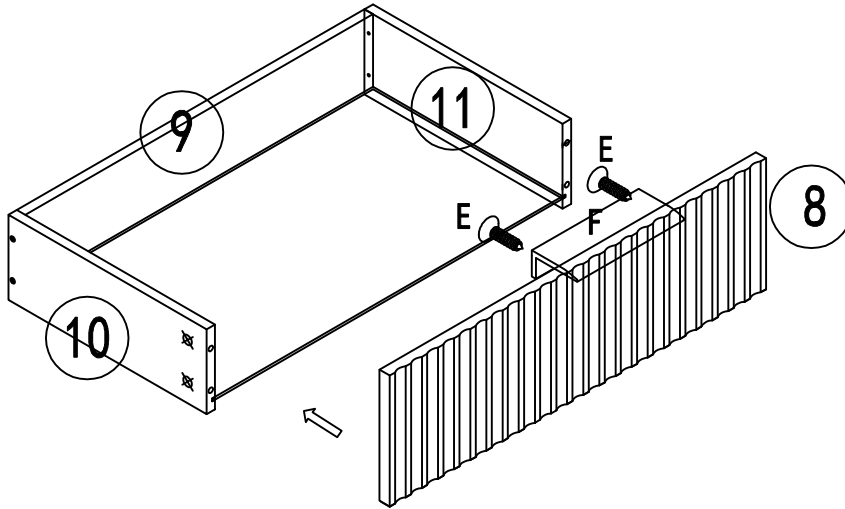


**\*3**

D	x 12
---	------



# STEP 9

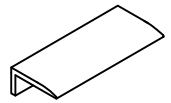


**\*3**

(E) x 6  
+2 Spare



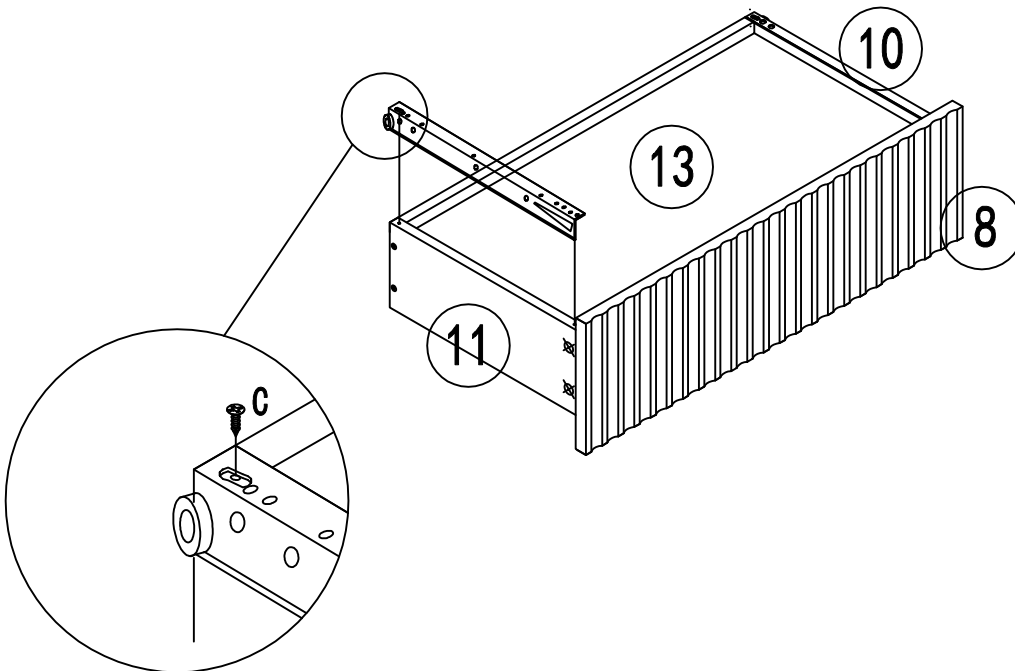
(F) x 3



(A) x 6



# STEP 10

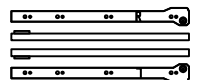


**\*3**

(C) x 12



(G) x 3



## STEPT 11

This part is in the back,  
fixing the backplate and the top plate,  
is the cabinet stable

