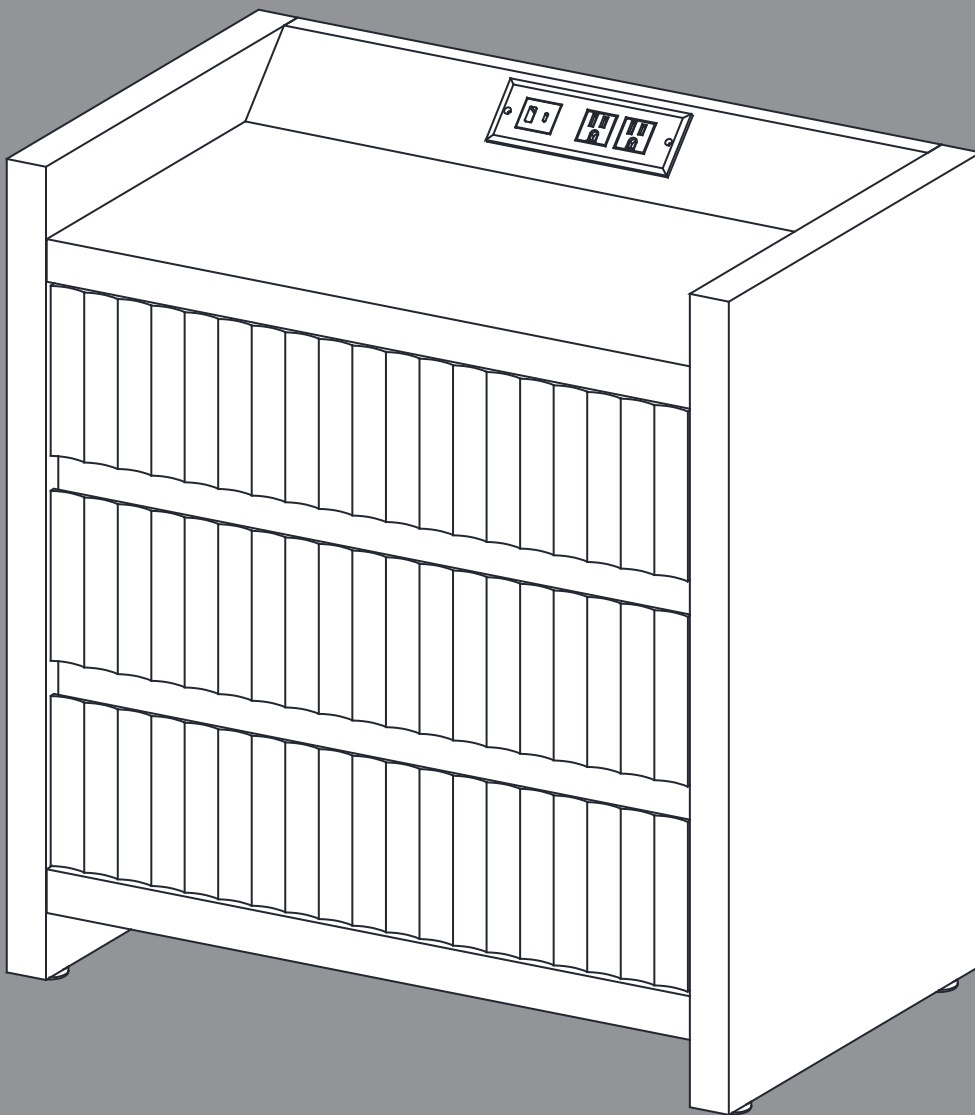


Installation & Assembly



Assembly Instructions

Before beginning the assembly process, please read and save these instructions for reference.

Following these guidelines will ensure a smooth and successful assembly of your product.

1. Part Identification:

Carefully separate and identify all the parts included in your package. Confirm that you have all the components listed in the instruction manual. This step will help you avoid any missing or misplaced parts during assembly.

2. Work Surface:

To prevent any scratches or damage to the product, assemble it on a soft mat or a similar protective surface. This will provide a cushioned area for the components and protect the surfaces from unwanted marks.

3. Step-by-Step Assembly:

Follow the assembly instructions provided, proceeding one step at a time. Take care to understand each step properly before proceeding to the next one. This sequential approach ensures that the assembly is done correctly and minimizes the chance of errors.

4. Proper Screw Seating:

When attaching screws and nuts, it is essential not to fully tighten them until all screws are correctly seated. By partially tightening each screw and nut initially, you can ensure that they are aligned properly and fit securely before final tightening.

5. Avoid Over-Tightening:

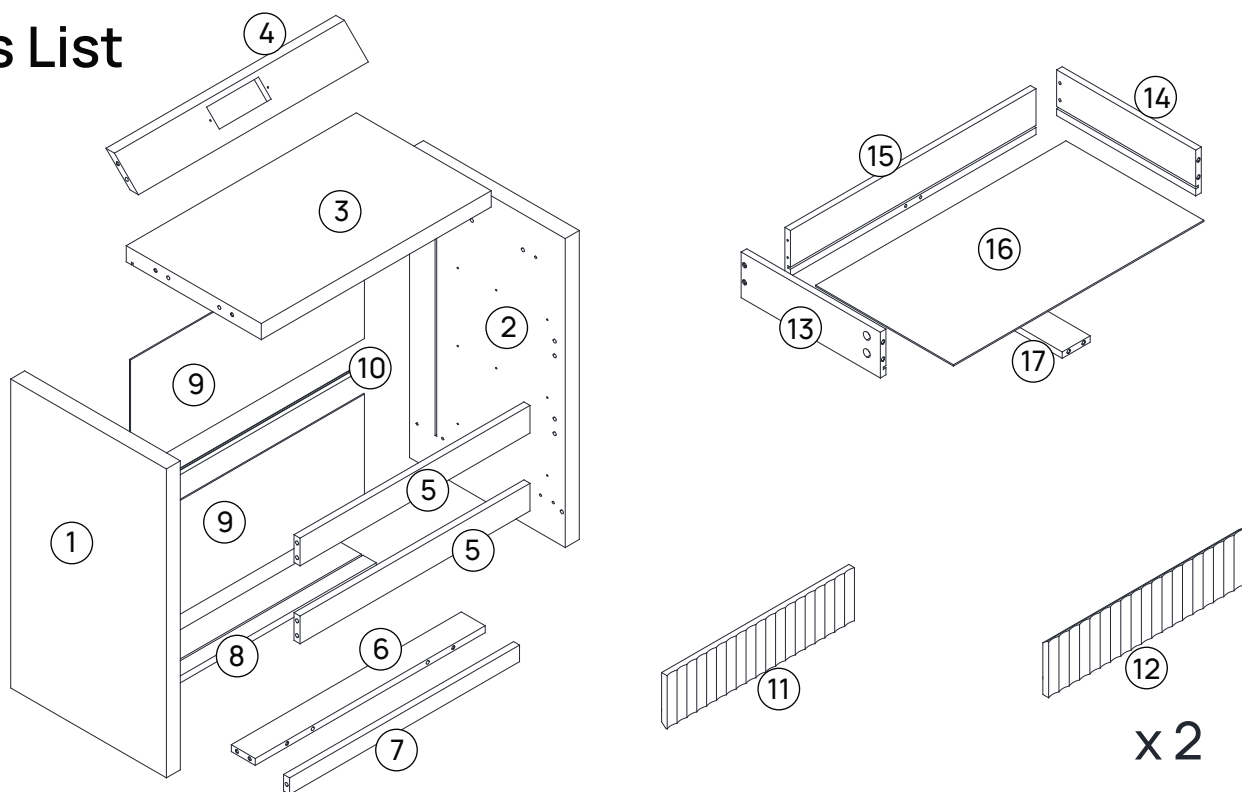
While each screw and nut should be tightened correctly, it is crucial not to over-tighten them. Over-tightening can cause damage to the product or compromise its structural integrity. Use the appropriate amount of force to secure the components without excessive tightening.

Customer help center

If you encounter any questions or problems during the assembly process, please do not hesitate to contact us.

We strive to provide excellent customer support and will respond to your inquiries within 24 hours. Our team will offer you a suitable solution to address any concerns you may have.

Parts List

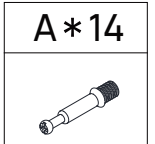
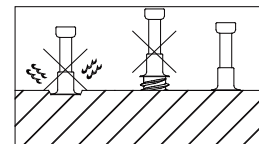
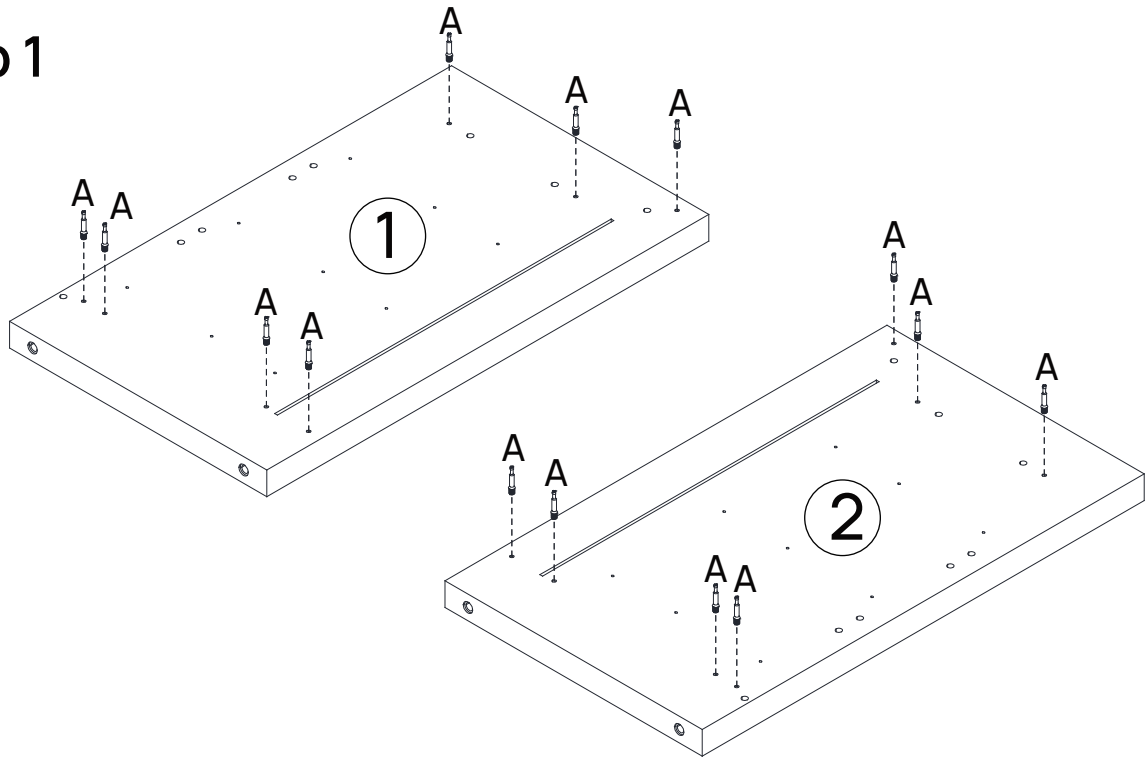


Hardware List

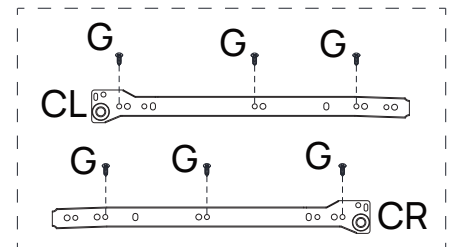
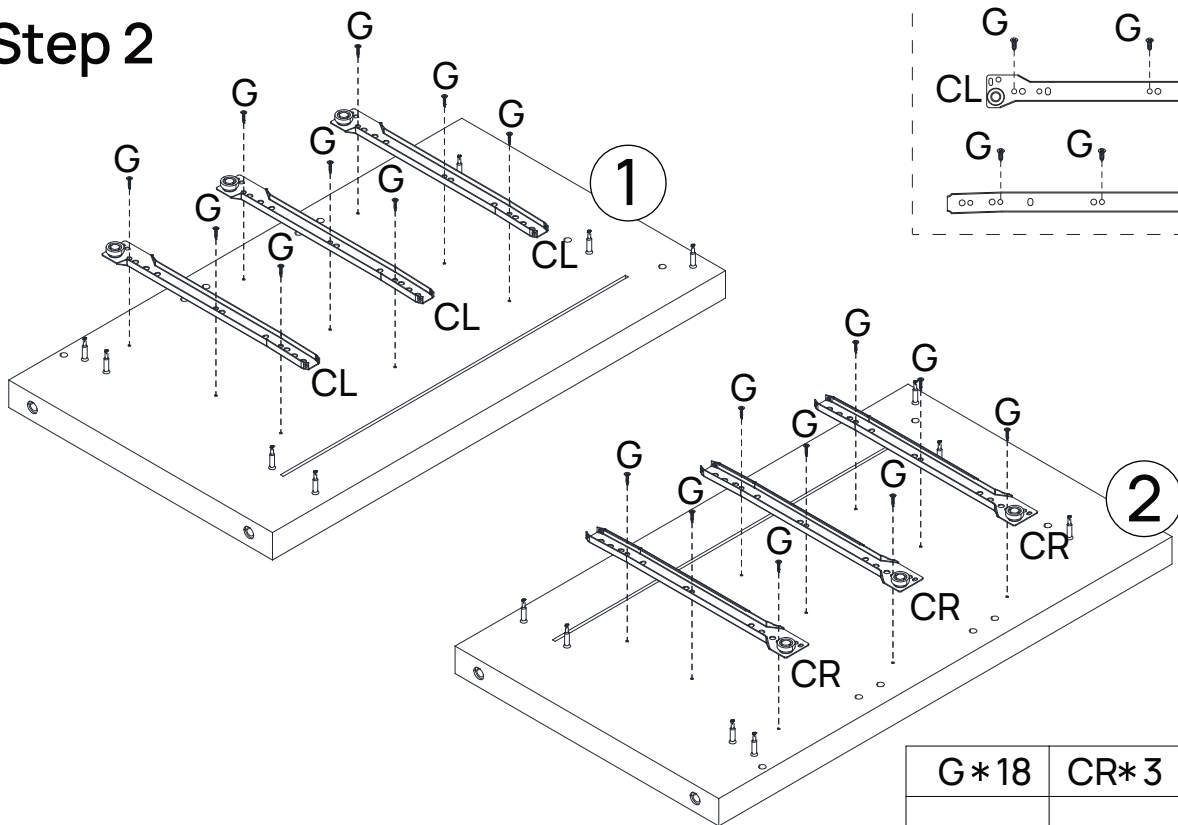



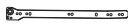

Code	Description	Quantity	Code	Description	Quantity
A	Ø6*35mm Cam bolt	34+2	L	M4x12mm Screw	8+2
B	Ø15x10mm Cam lock	34+2	CL	300mm Drawer runner set	3
C	Ø8x30mm Wood dowel	18+2	CR	300mm Drawer runner set	3
D	M4x35mm Screw	18+2	DL	300mm Drawer runner set	3
E	Socket	1	DR	300mm Drawer runner set	3
F	angle iron	2			
G	M3x12mm Screw	36+2			
H	Mdjusting the footrest	4+1			
I	M3x12mm Black Screw	2+1			
J	M3x16mm Screw	8+2			
K	Back clip	8+2			

Step 1

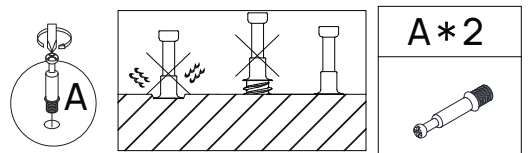
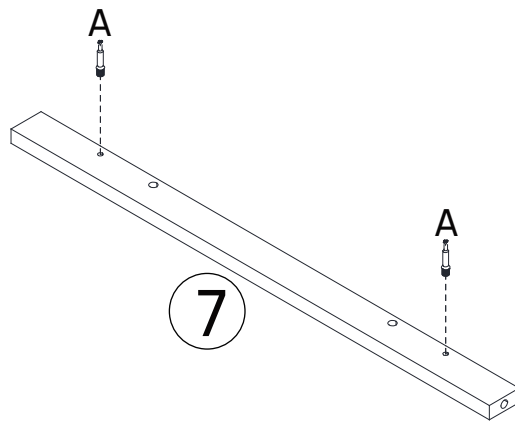


Step 2

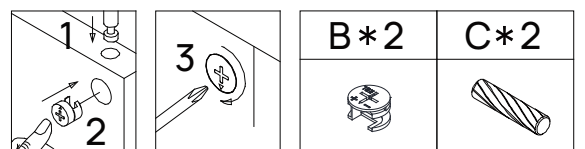
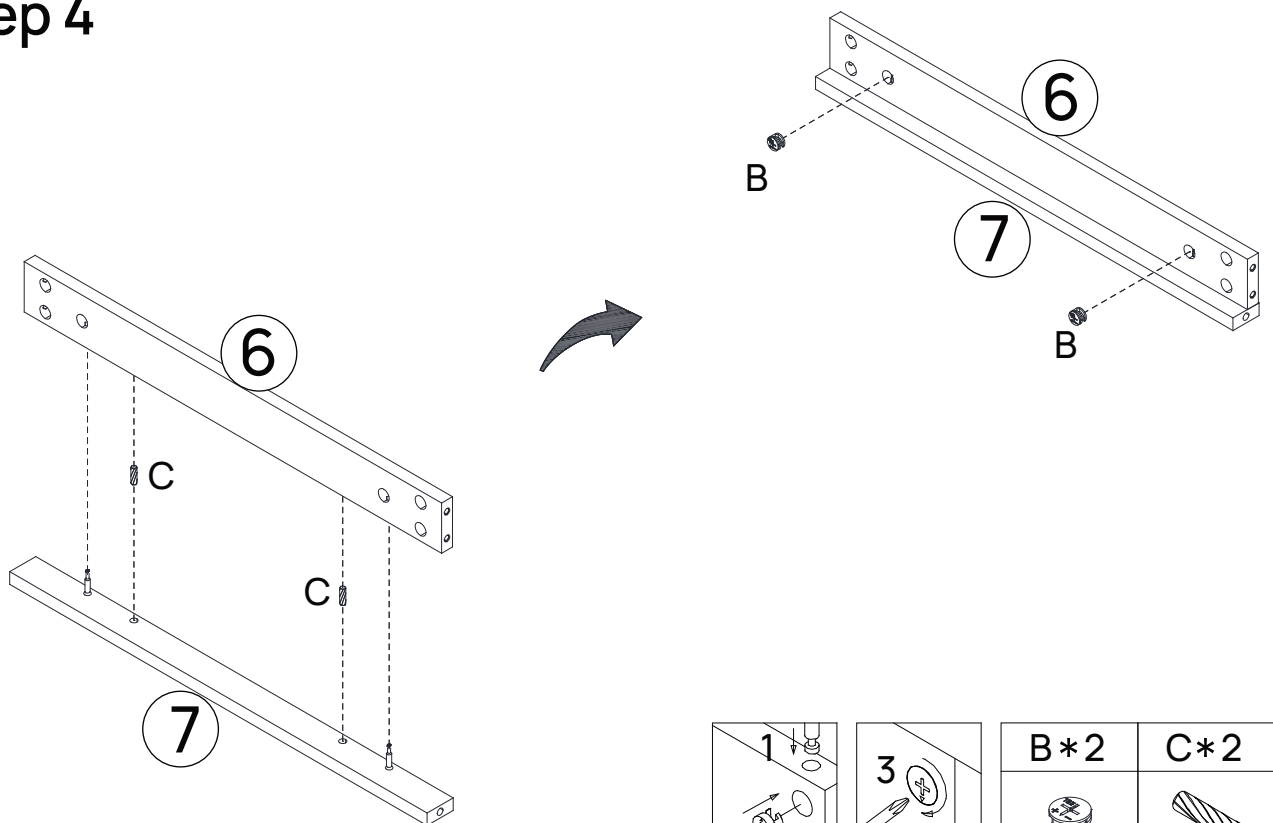


G*18	CR*3	CL*3
		

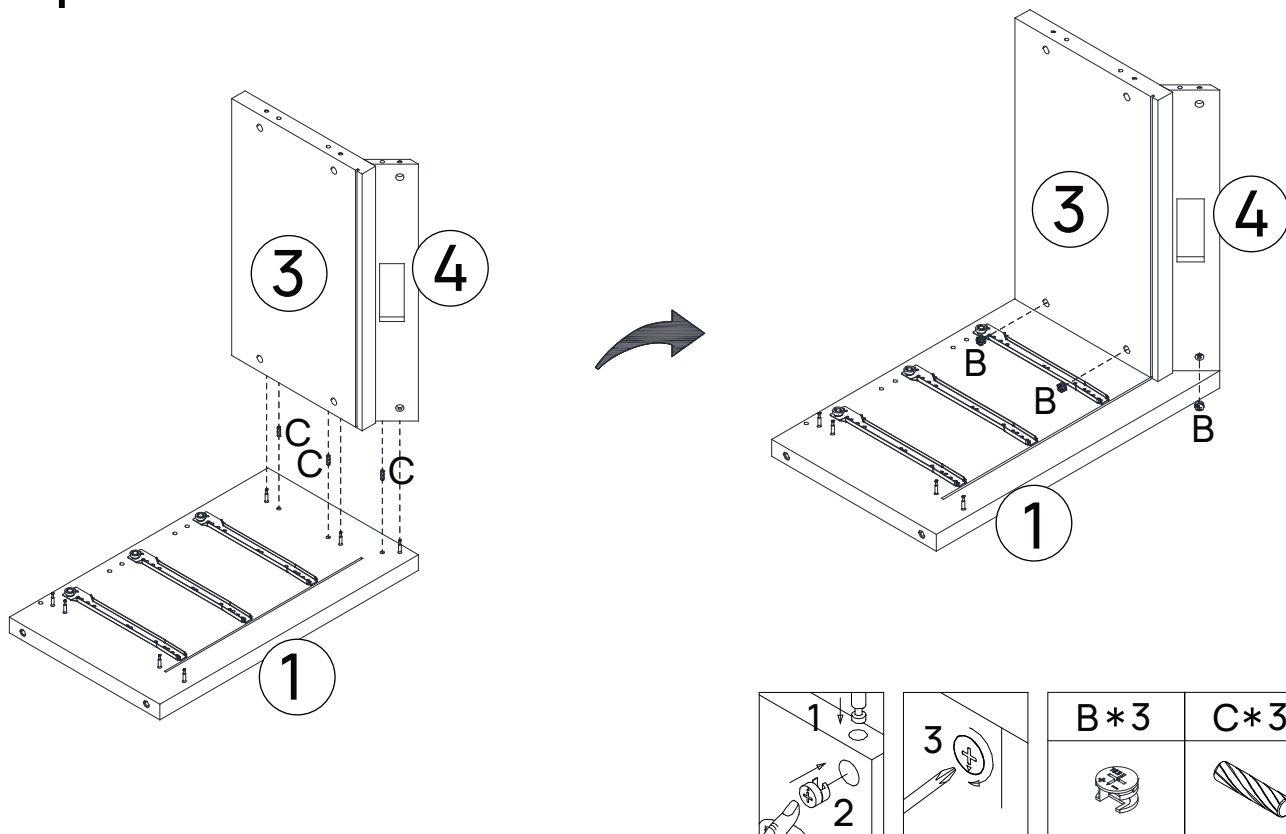
Step 3



Step 4

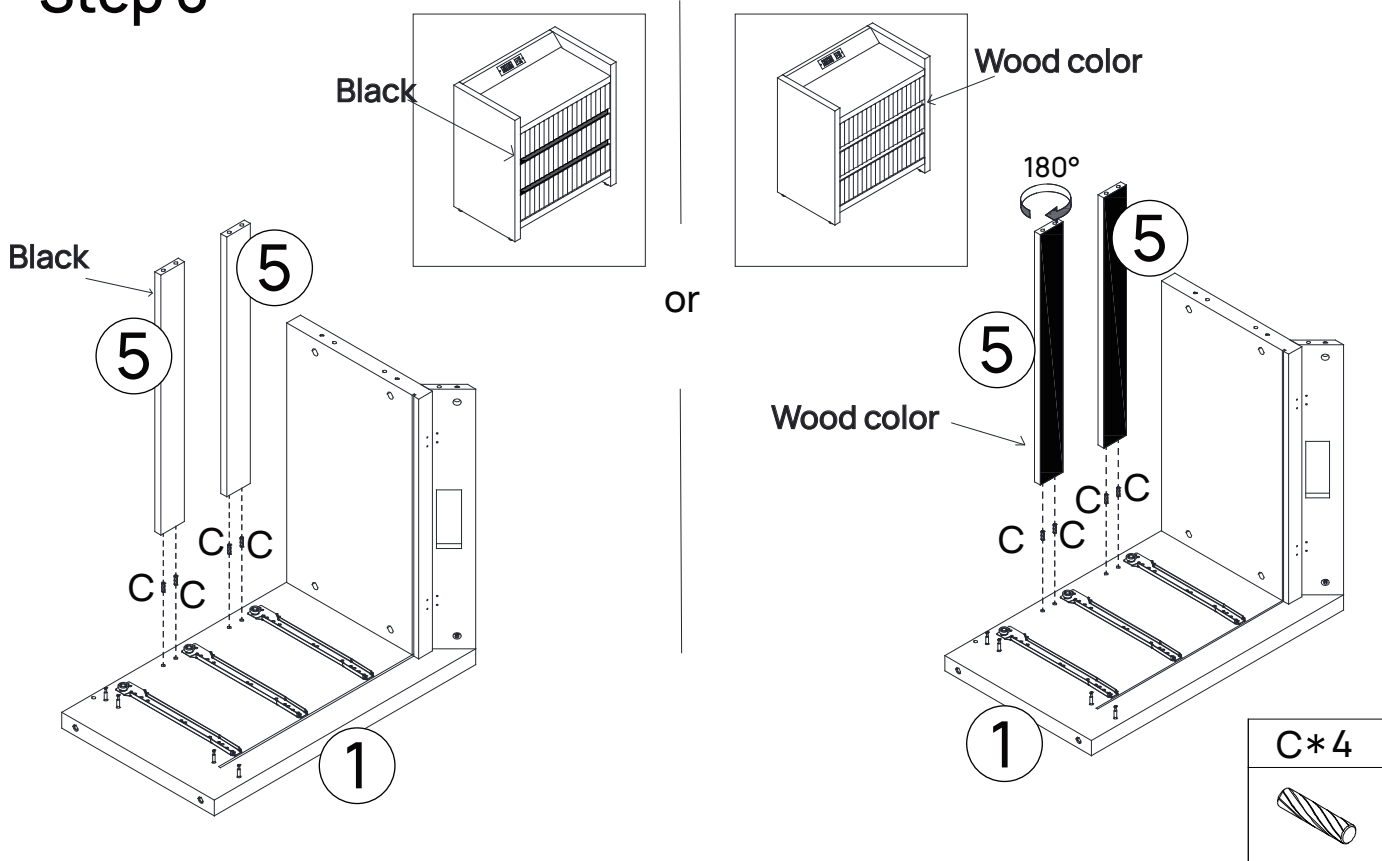


Step 5

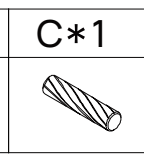
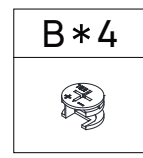
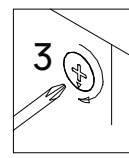
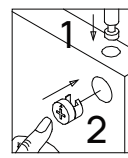
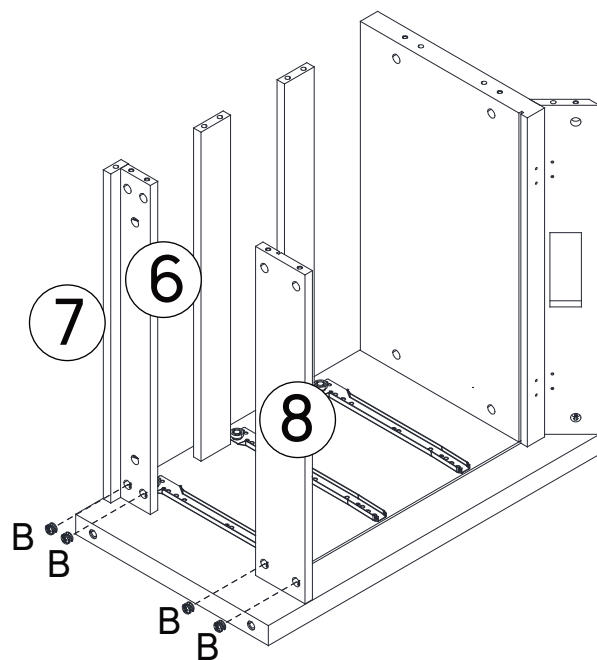
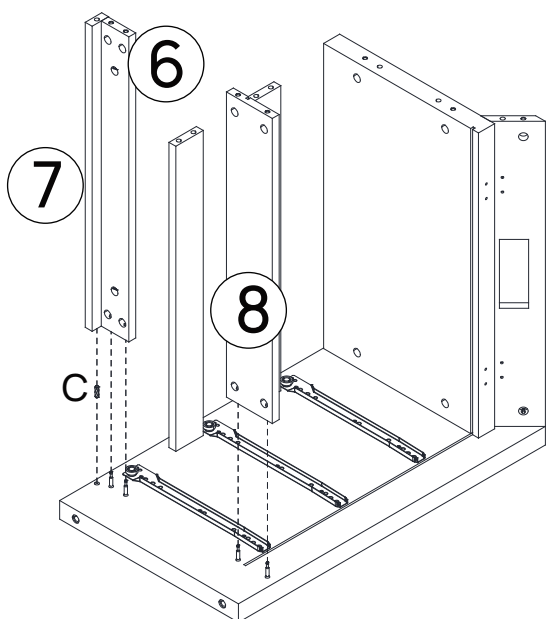


Step 6

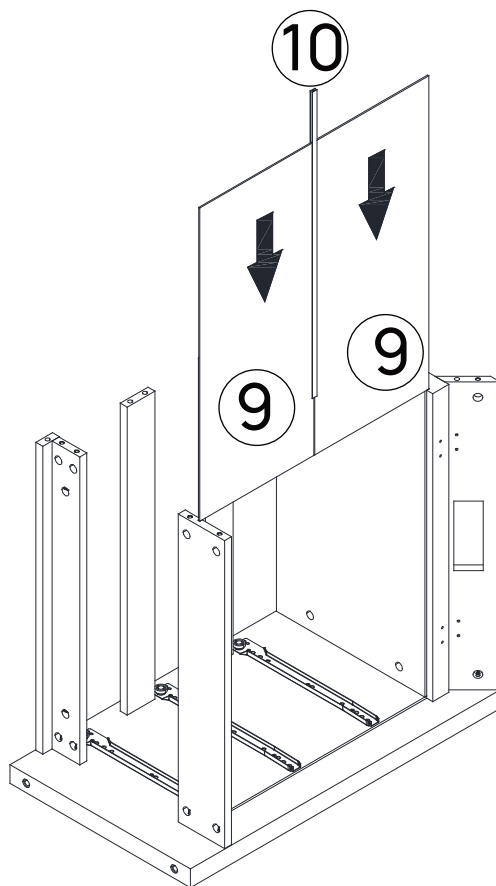
Note: Part ⑤ can be selected with black or wood color surface



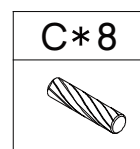
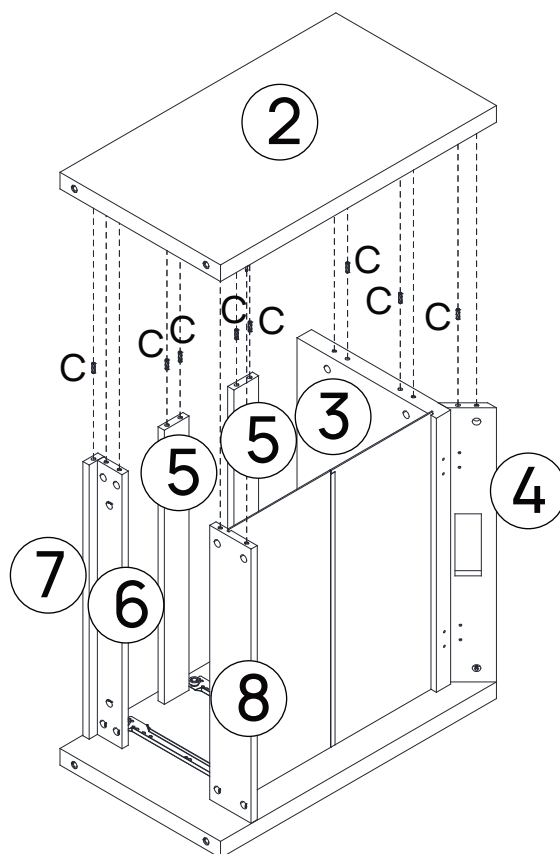
Step 7



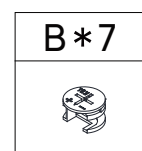
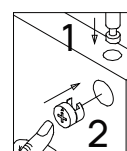
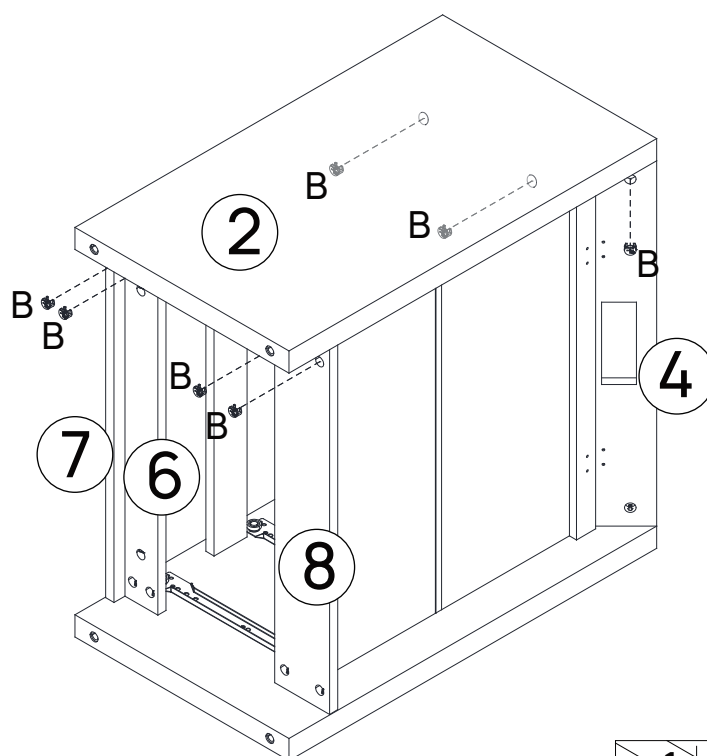
Step 8



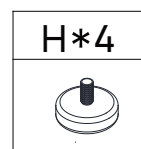
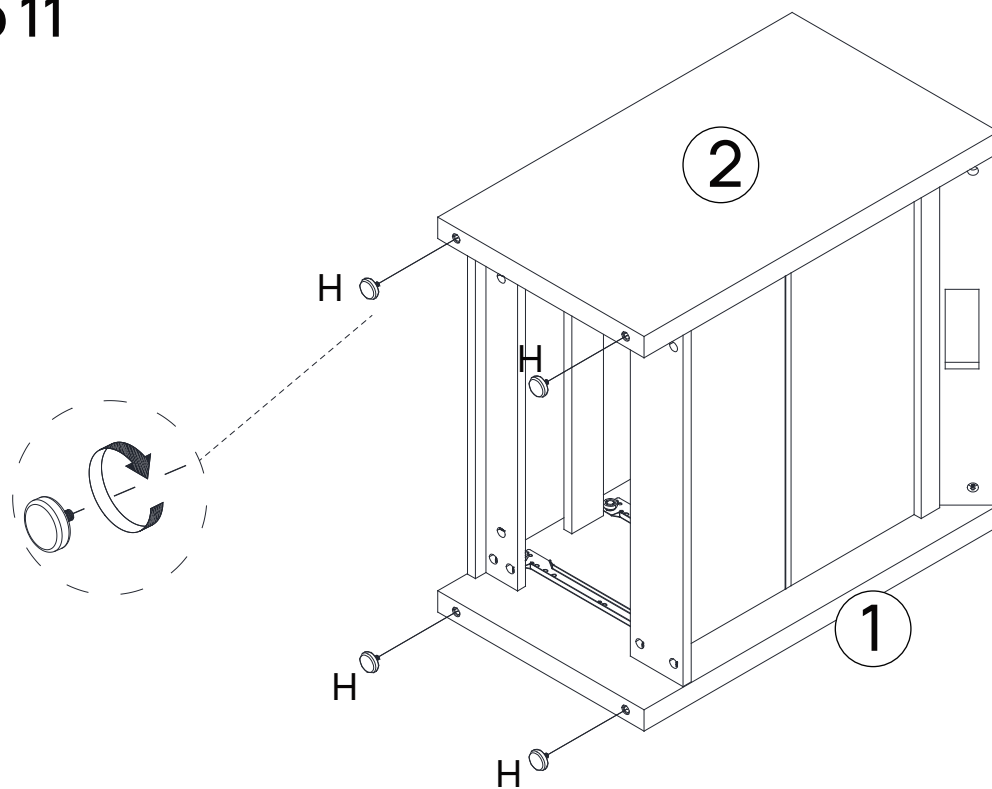
Step 9



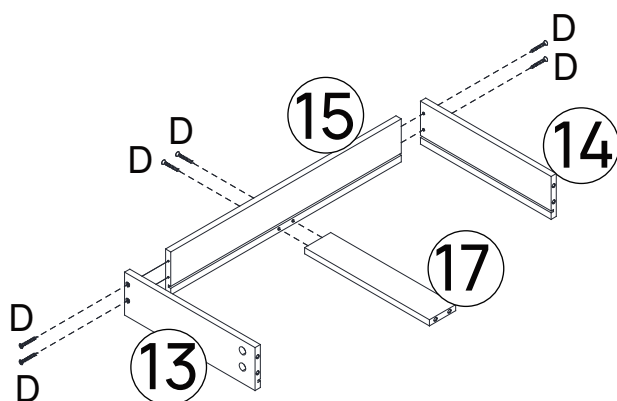
Step 10



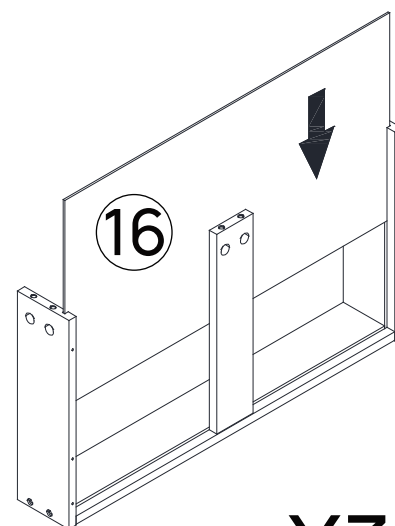
Step 11



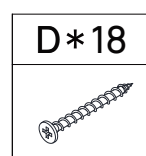
Step 12



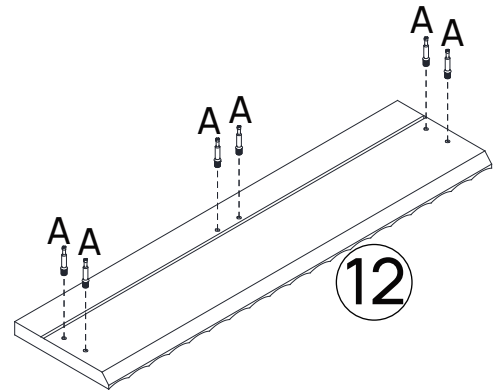
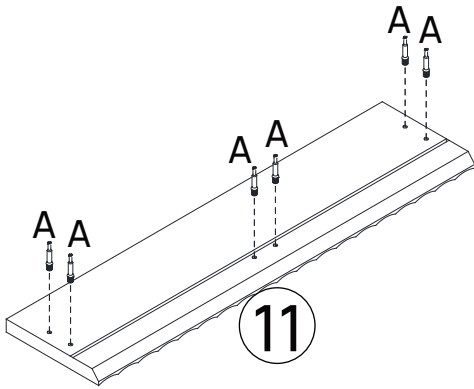
X3



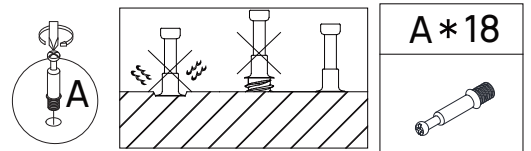
X3



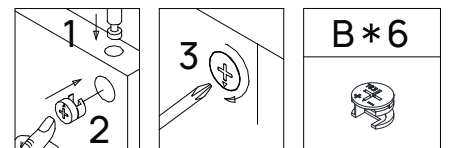
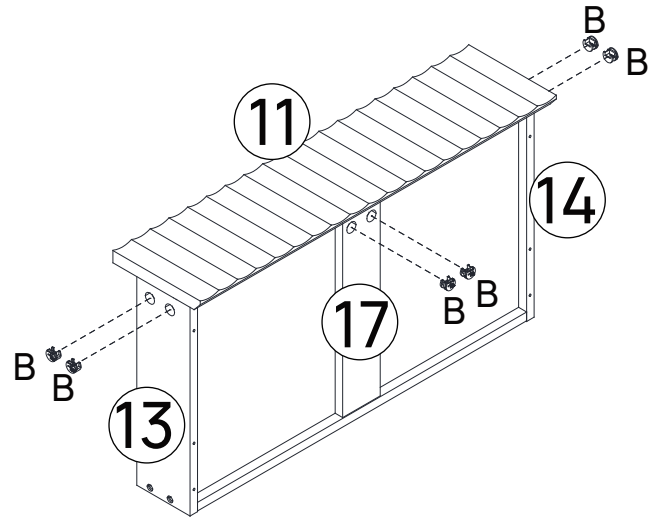
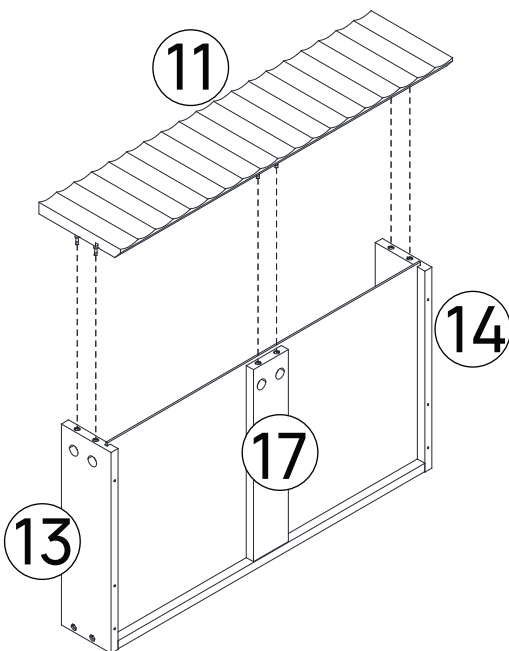
Step 13



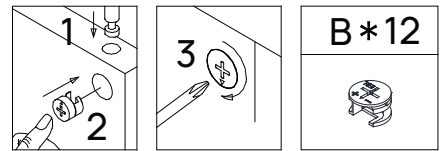
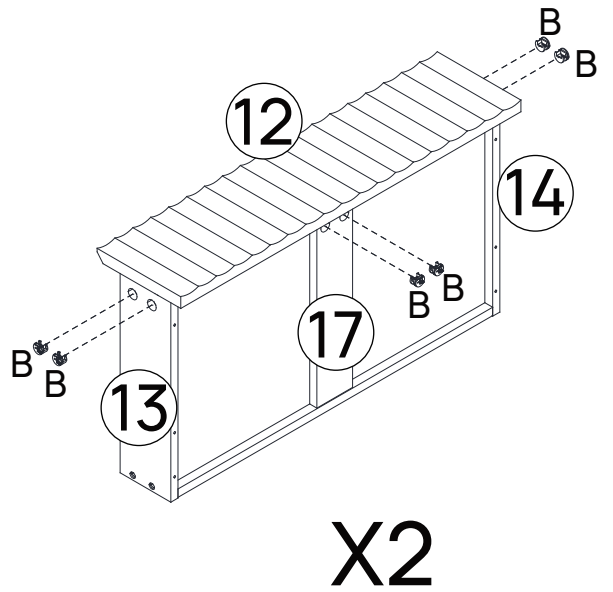
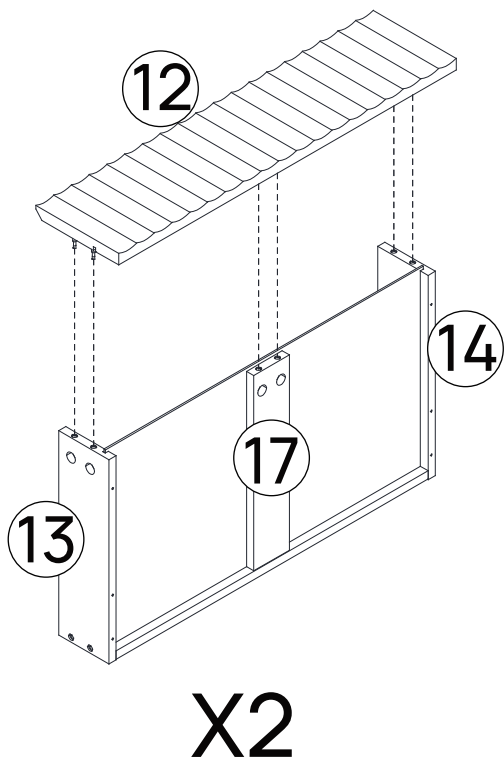
X2



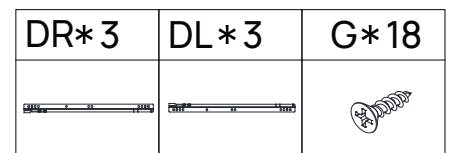
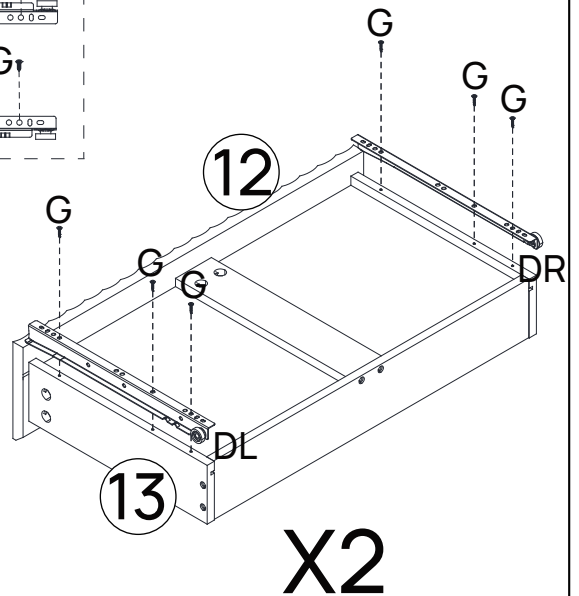
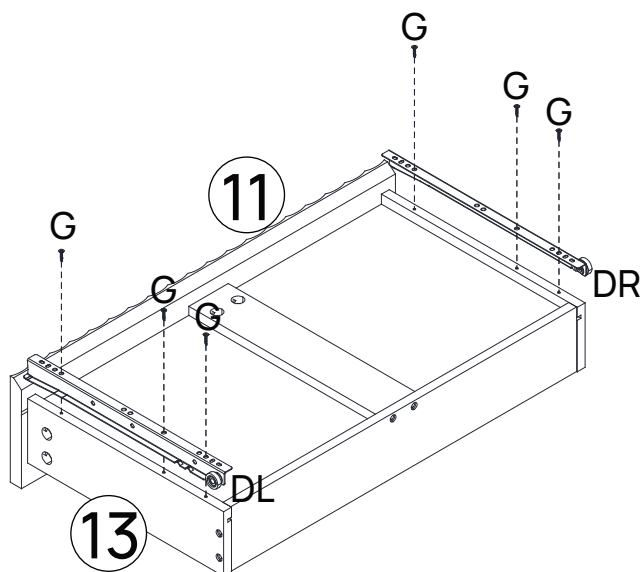
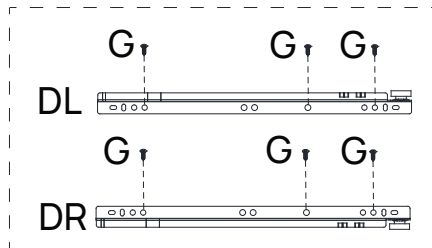
Step 14



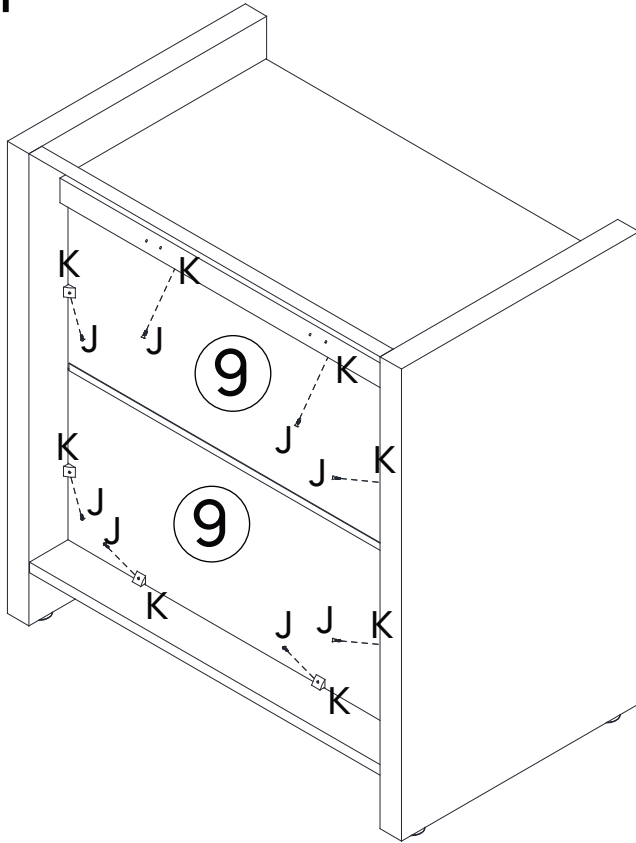
Step 15



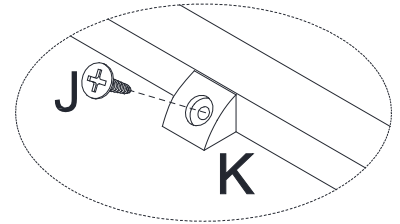
Step 16


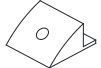


Step 17

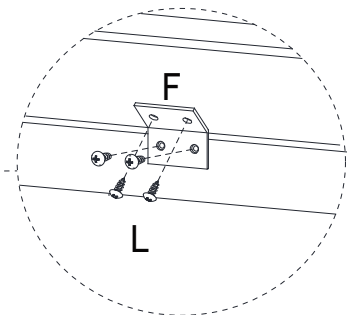
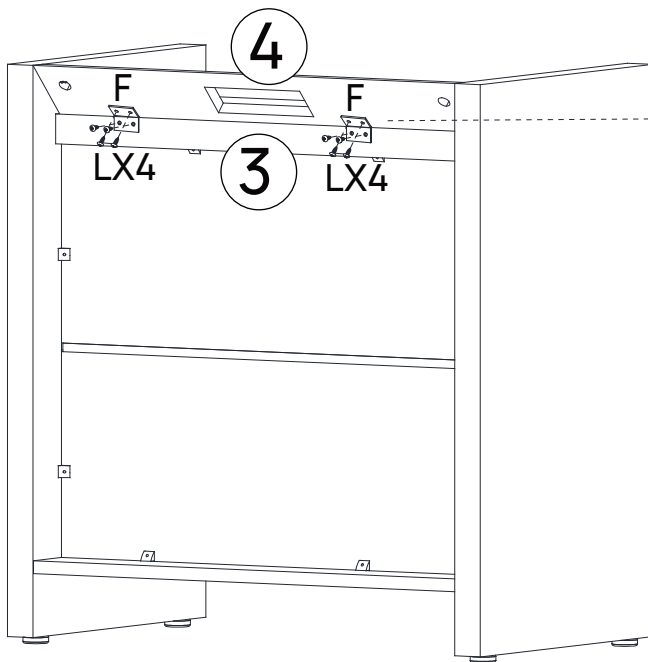




!
Must Be Installed



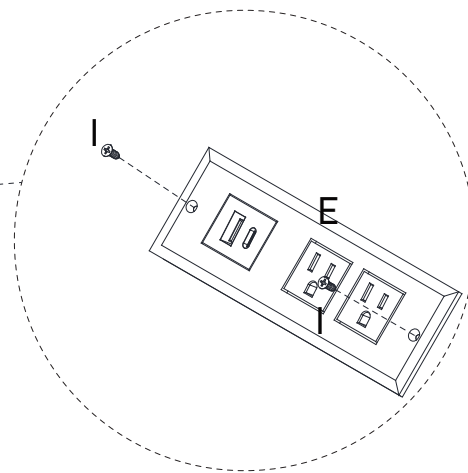
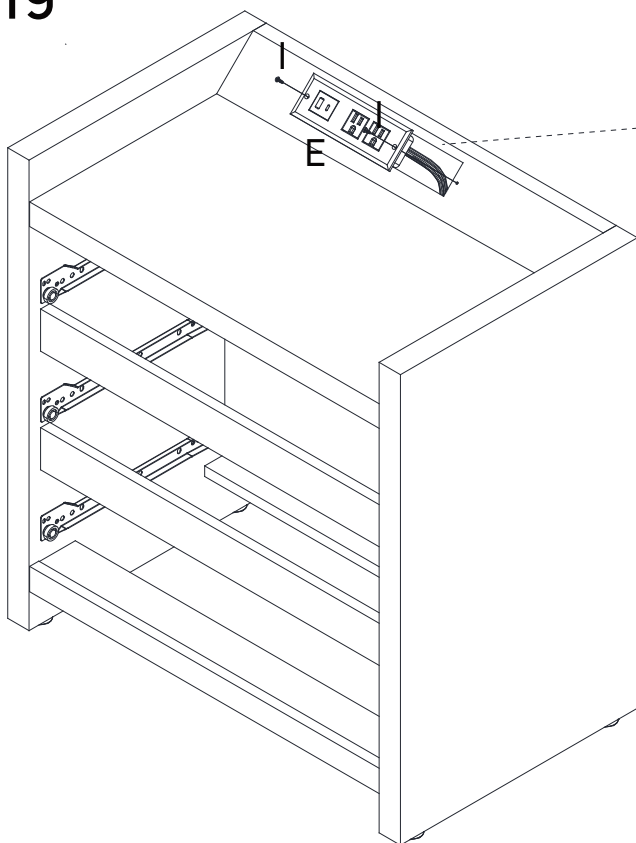
J * 8	K * 8
	

Step 18



F * 2	L * 8
	

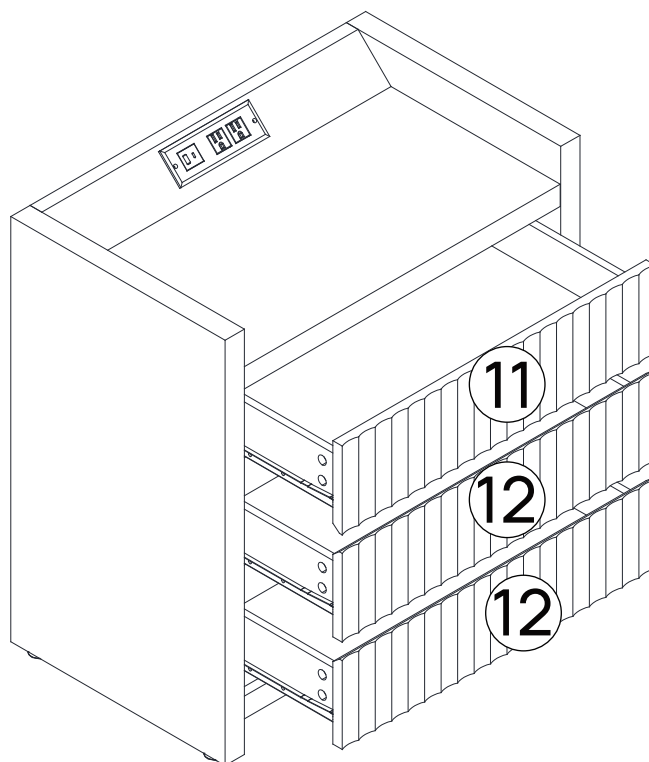
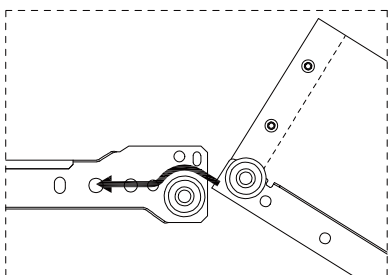
Step 19



E*1	I*2

Step 20

Please note that the drawers must be installed as indicated by the arrows.



Step 21

