

## PART LIST:



**A:Rail Left Section**  
2PCS



**B:Rail Right Section**  
2PCS



**C:Rail Down Section**  
4PCS



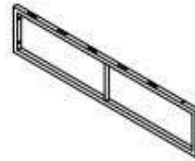
**D:Rail Support Bar**  
8PCS



**E:Rail Side Connector**  
Bar  
2PCS



**F:Rail End Connector**  
Bar  
2PCS



**G:Center Support Rail**  
2PCS



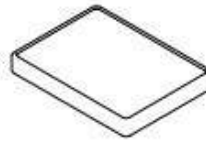
**H:Slat**  
24PCS



**I:Slat Connector**  
20PCS



**J:Slat Connector -**  
Middle  
10PCS



**K:Coverlet**  
1PC

## HARDWARE LIST:



**1: Bolt**  
1/4\*35mm  
X 20pcs



**2: Bolt**  
1/4\*50mm  
X 2pcs



**3: Bolt**  
1/4\*16mm  
X 16pcs



**4: Bolt**  
3/16\*16mm  
X 6pcs



**5: Nut 1/4**  
X 2psc



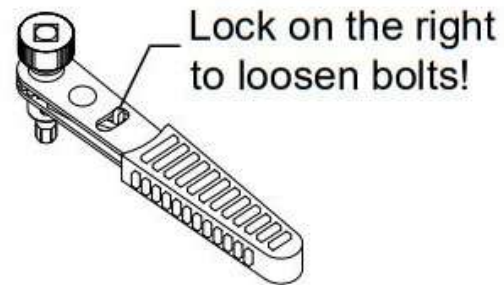
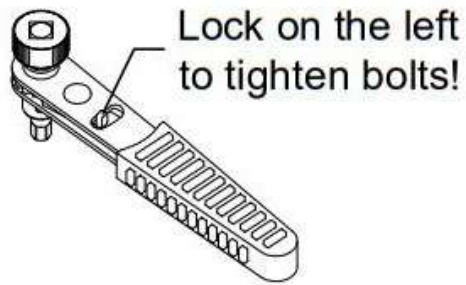
**6: Wrench**  
X 1pc



**7: Ratchet Tool**  
X 1PC

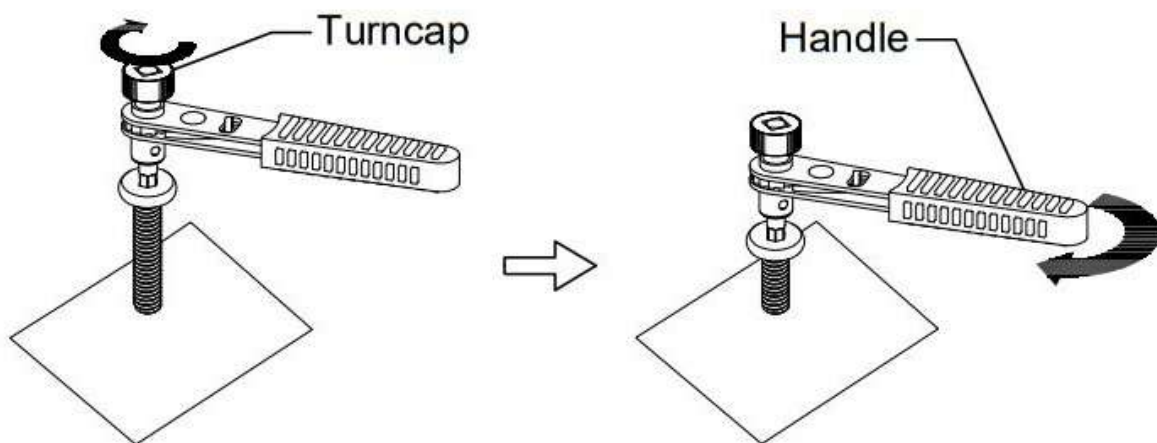
## How to Use the Ratchet Tool (7)

1. Before assembling the furniture, please adjust the lock as needed.

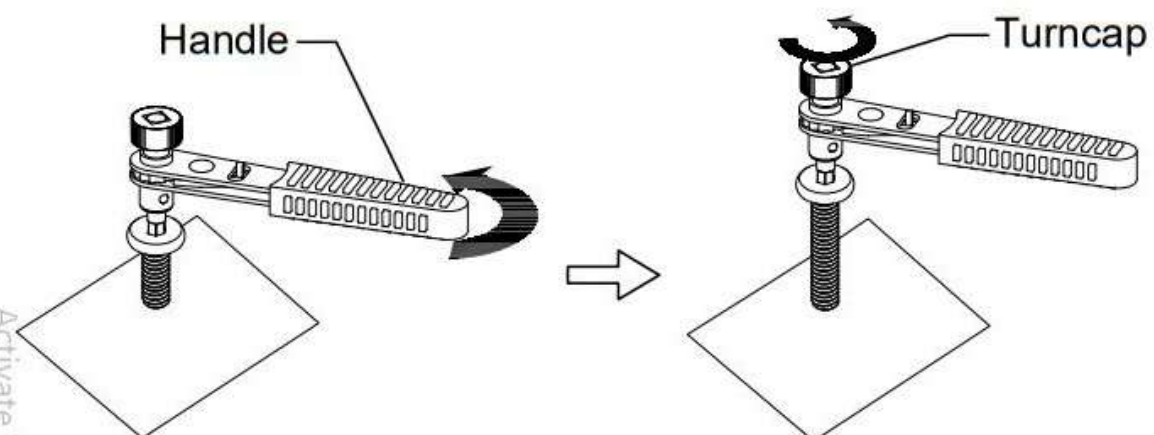


2. Tighten or loosen bolts.

- **Tighten bolts:** Locate the turncap and rotate it clockwise to screw the bolt quickly until it cannot be rotated any more. Then start rotating the handle clockwise to finalize tightening the bolt.

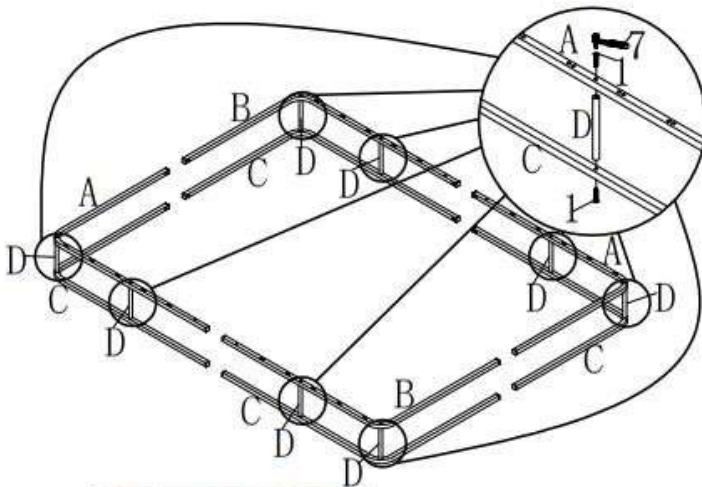


- **Loosen bolts:** Rotate the handle counterclockwise to loosen the bolt. Then continue rotating the turncap in the same direction to remove the bolt completely.



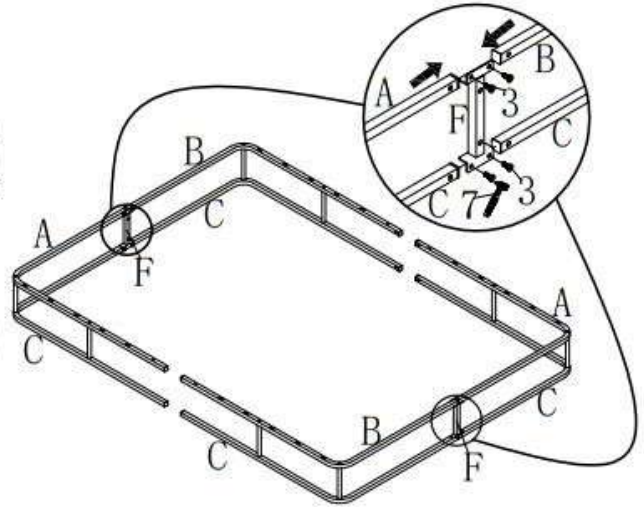
Note: Please do not tighten all bolts until the bed is assembled completely.

**STEP 1**



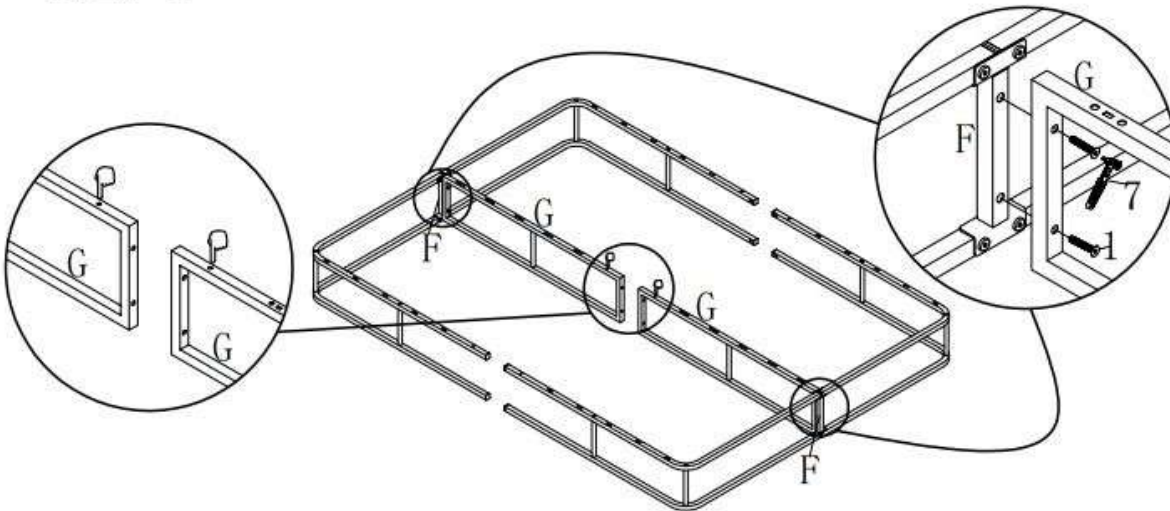
Hardware 1: 16 pcs

**STEP 2**



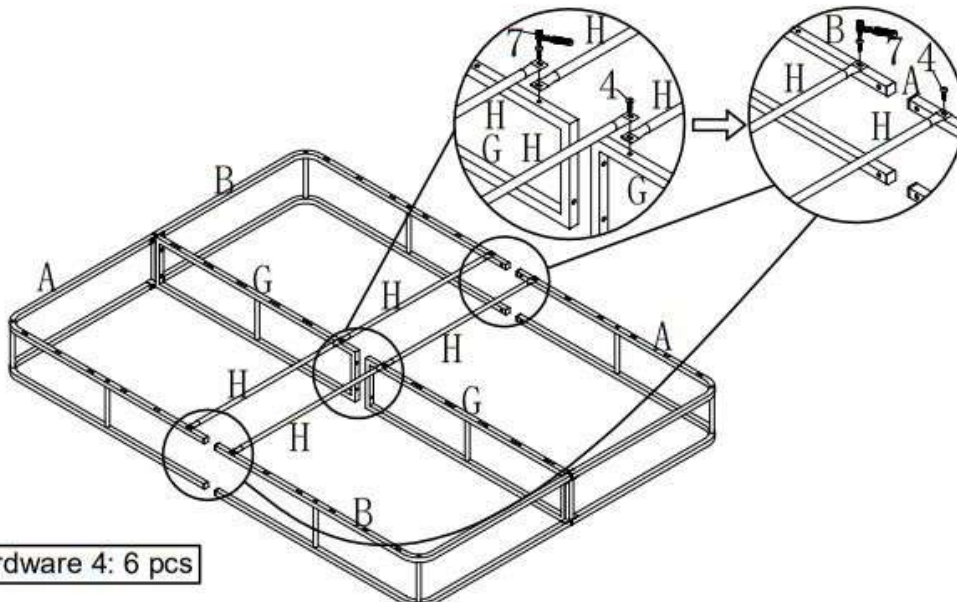
Hardware 3: 8 pcs

**STEP 3**



Hardware 1: 4 pcs

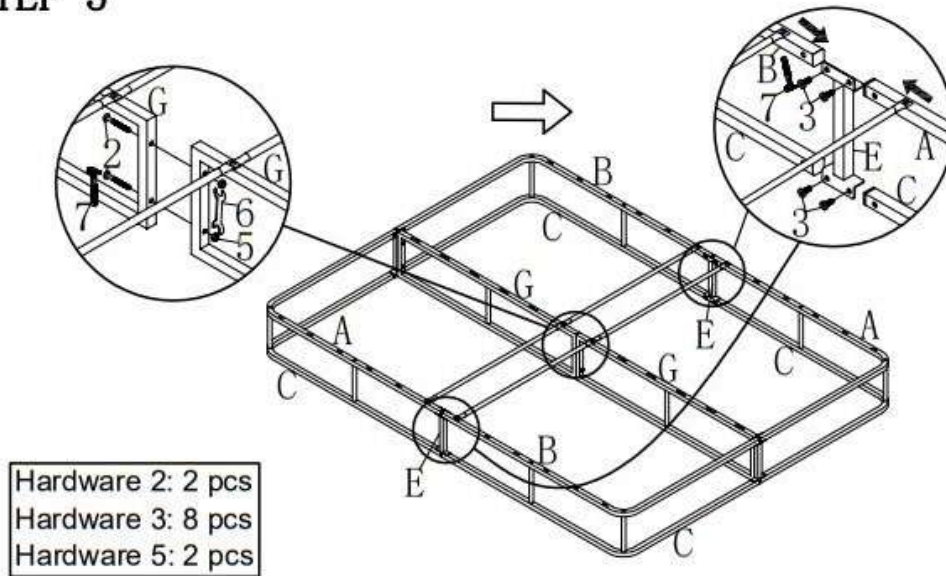
**STEP 4**



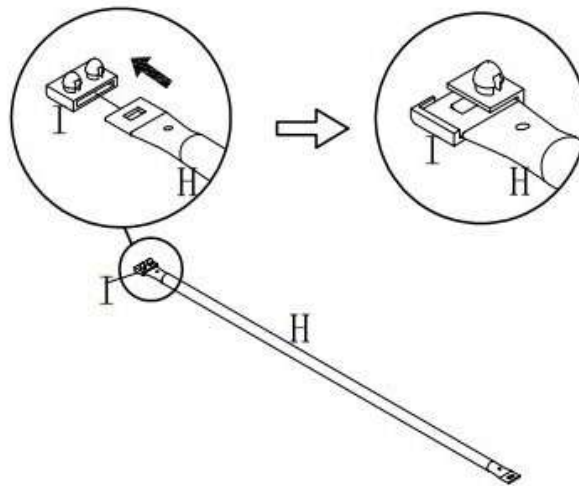
Hardware 4: 6 pcs

Note: Please do not tighten all bolts until the bed is assembled completely.

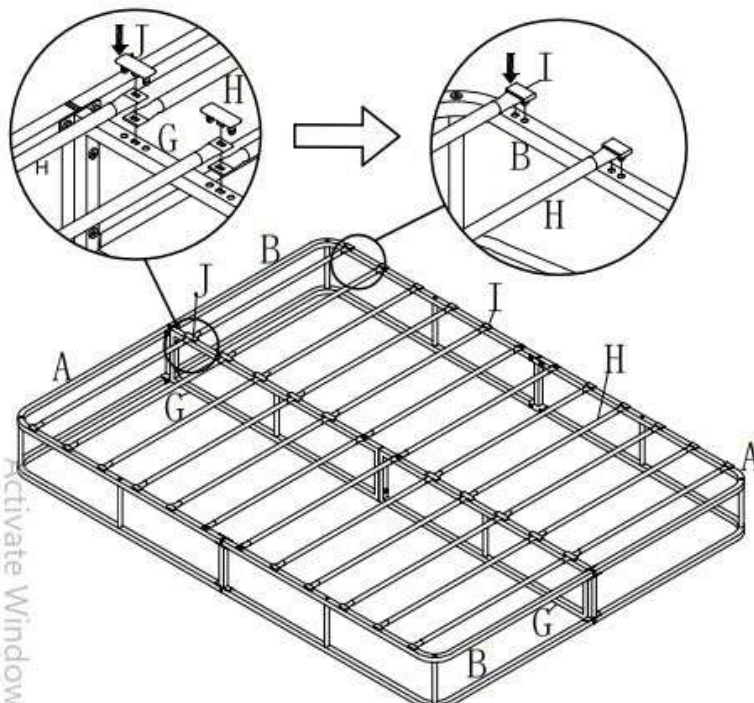
### STEP 5



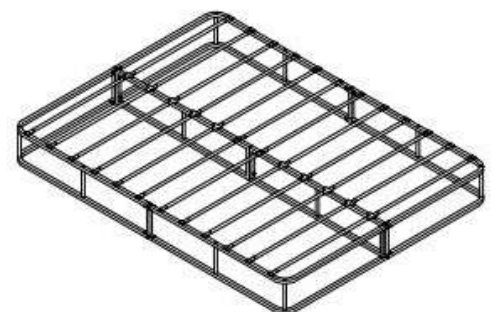
### STEP 6



### STEP 7

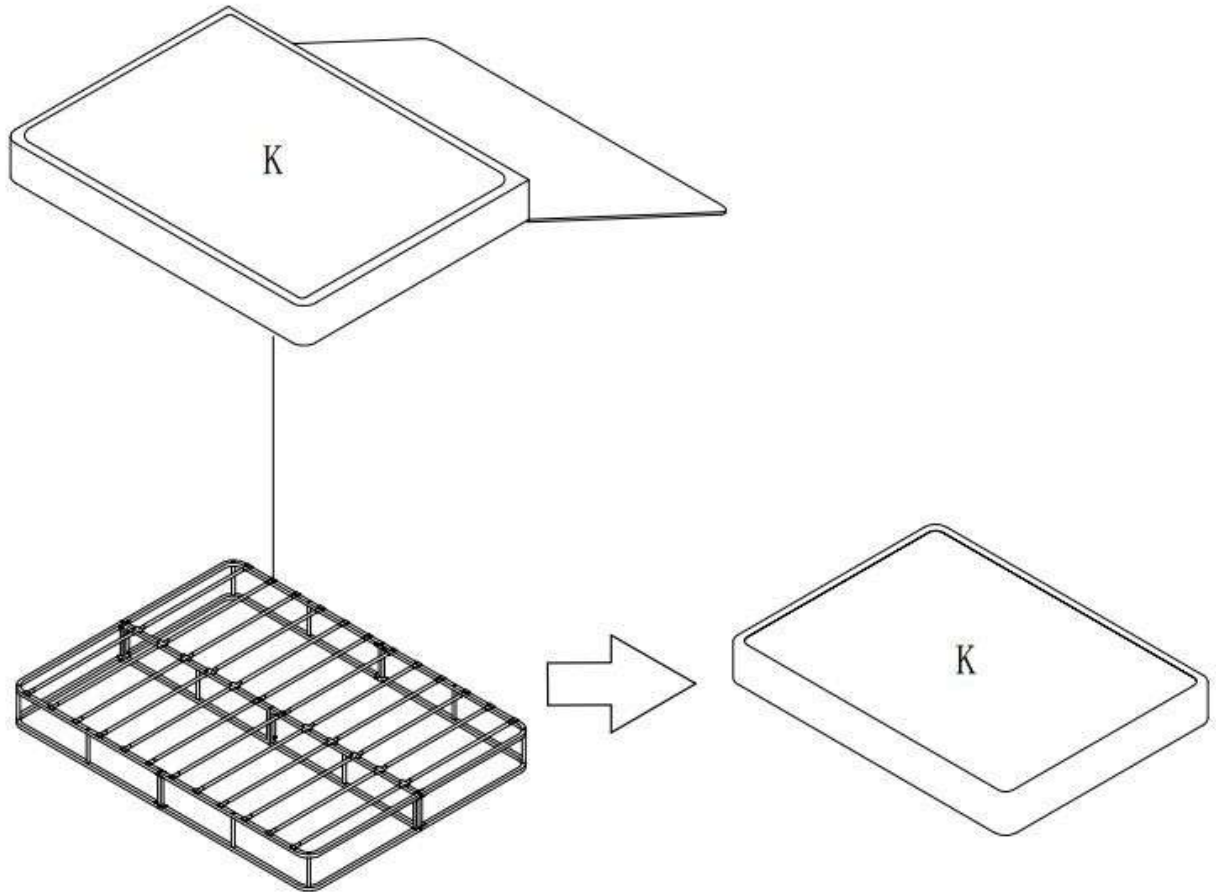


COMPLETED

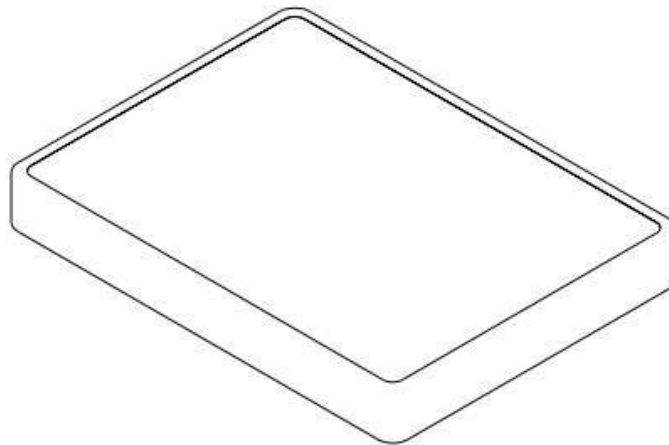


Note: Please do not tighten all bolts until the bed is assembled completely.

## STEP 8



COMPLETED



For items use on wooden floor, hard surfaces or carpets, it is recommended to install protective pads under all legs and supports to avoid/prevent from damages/scratches and discoloration.