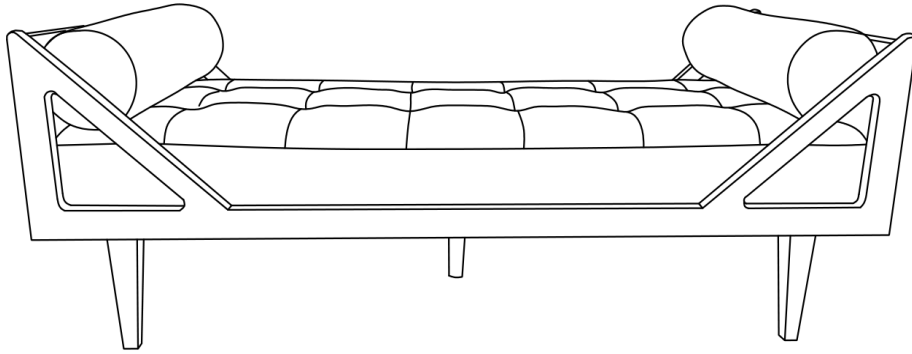
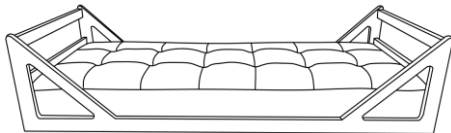


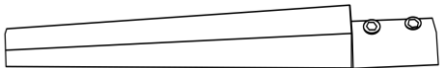


Assembly Instructions



Caution: You must read this before you proceed

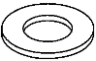
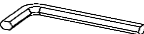
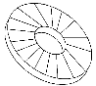


Parts List

Label	Picture	Description	QTY
A		Seat frame	1
B		Side cushion	2
C		Support Foot (with adjusting stud)	1
D		Leg	4

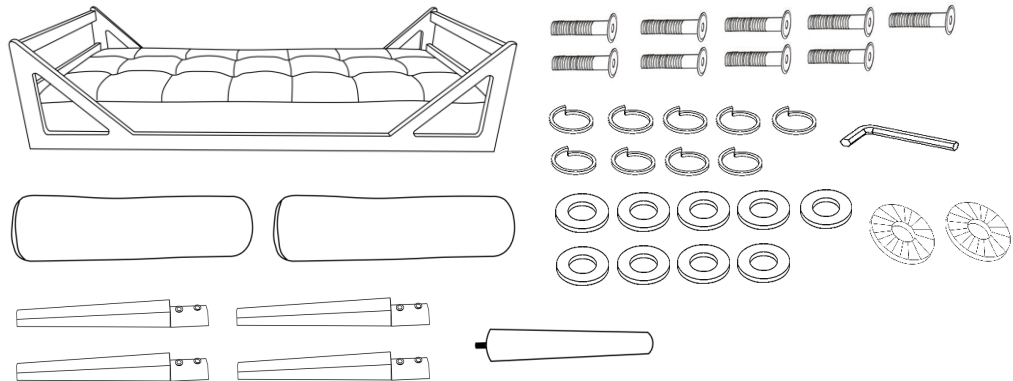
Hardware

Label	Picture	Description	QTY
①		Bolt (M8X40mm)	9
②		Spring Washer	9

③		Washer	9
④		Allen Wrench	1
⑤		Gasket	2

Assembly Preparation

Before Beginning Assembly:



- Read instructions, cover to cover-



- Have 2 adults on hand for assembly-



- Do not assemble on flooring or carpet-



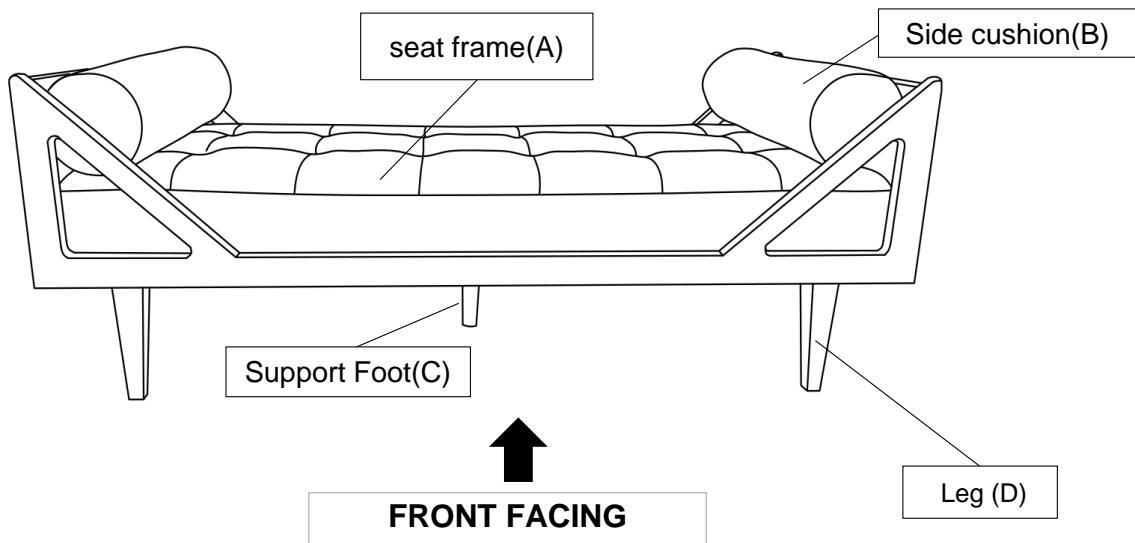
- Assemble on a clean non-marring surface (packing foam)-



- Save all packaging until finished-

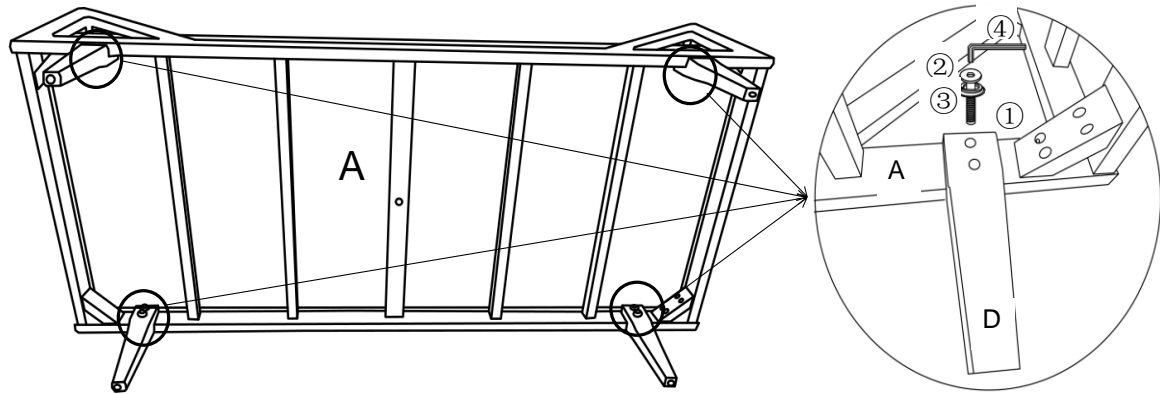
Assembly Steps

Overview



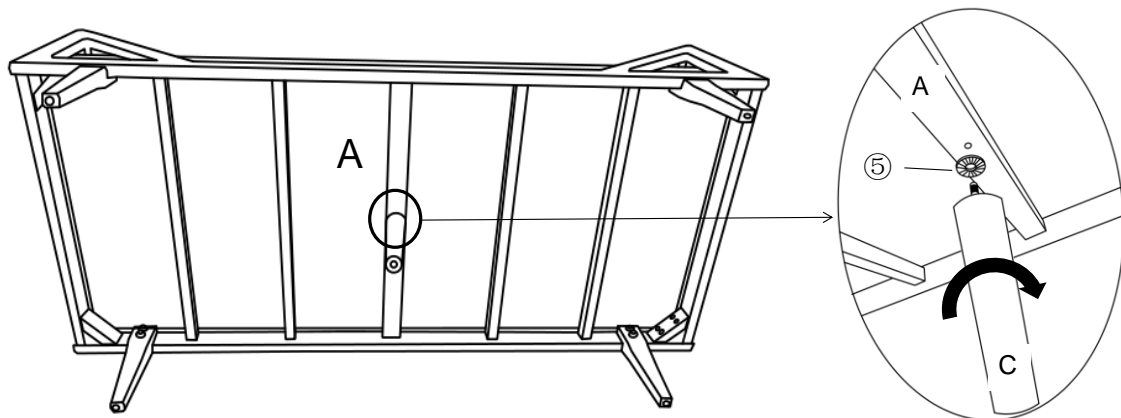
This Sofa has multiple parts and may require up to 30 minutes to assemble. To give you an overview of the sofa, the above picture is to help you put the various parts into perspective. Please read through the instructions below to familiarise yourself with the parts and steps before assembly.

Step 1



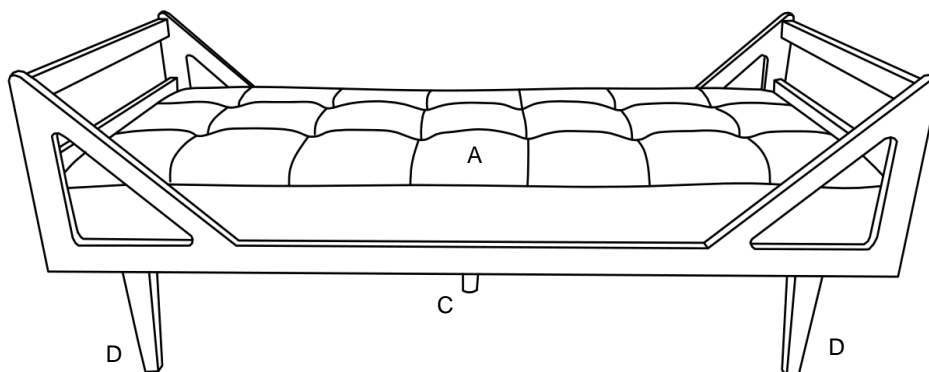
Place the Seat frame(A) and Legs (D) on a clean, non-destructive surface.
With assistance from an adult partner, place Seat frame(A) and Legs (D) into the position as shown.
Attach the Leg (D) onto the Seat frame(A) using Bolts(①), Spring Washers(②),and Washers(③) and the Allen Wrench(④).
Repeat the same process with the remaining Legs (D).
Do not fully tighten the Bolts.

Step 2



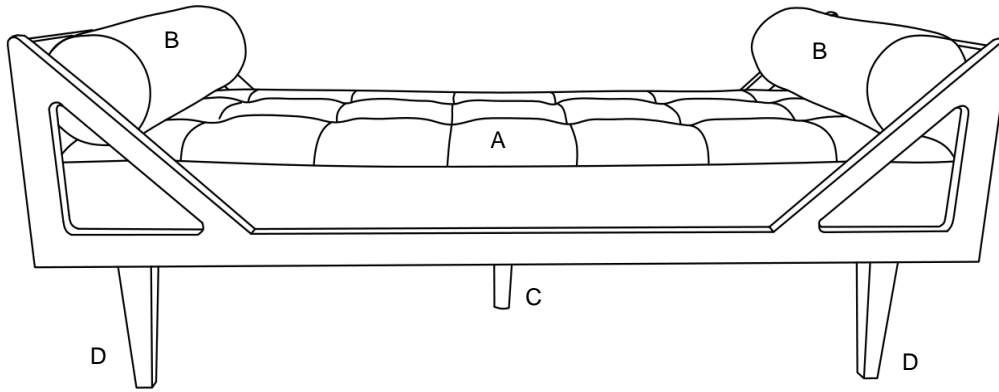
Attach the Support Foot(C) to the bottom of the Seat frame(A) using Bolts(⑤) by inserting the threaded stem in the Foot and turning clockwise until secure.

Step 3



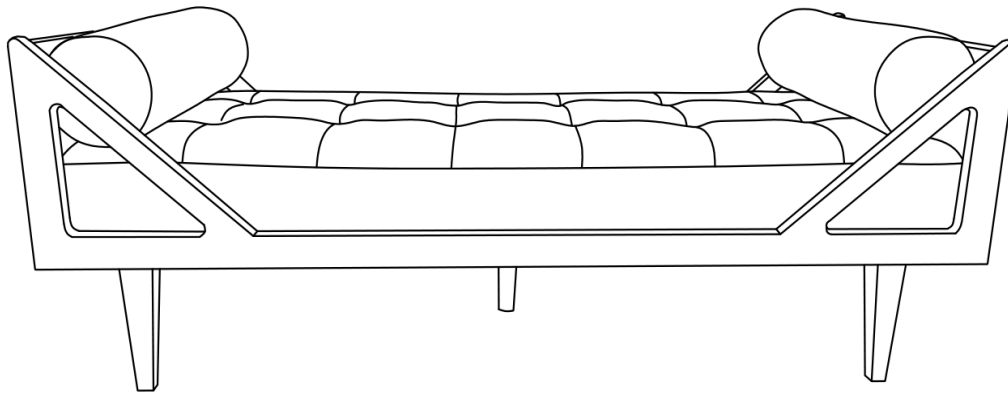
Stand the pre-assembled frame up.
Check for stability and then proceed to tighten all Bolts at all joints.
DO NOT fully tighten a Bolt in one go and then move on to the next one.
Rather, in a sequential manner, gradually tighten each Bolt until all Bolts are evenly secured.
This methodology will ensure maximum evenness once all Bolts are fully tightened.

Step 4



Place the Side cushions(B) onto the pre-assembled frame as shown.

Step 5



Your Sofa is ready for use.

Caution: This Sofa can only be used on a flat, level surface.

Care & Maintenance



Furniture may scratch floors. We recommend using furniture pads to protect your floors.



Do not put hot items directly on furniture surface.



Do not clean furniture with harsh cleansers or polish.



Do not place furniture under direct sunlight.



Do not place furniture near heating or cooling vents.



Do not write on furniture without a padded barrier to protect the surface.



Do not place furniture outside . For indoor use only .



Not for commercial use. For residential use only .



Stains may be removed with mild soap solution and damp cloth.



Children should not climb or jump on the furniture.



Dust and pick-up spills using a clean, non-colored, lint-free cloth