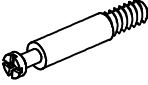



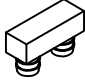

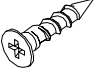

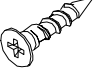

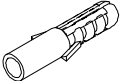
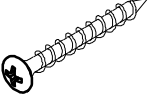




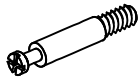
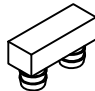

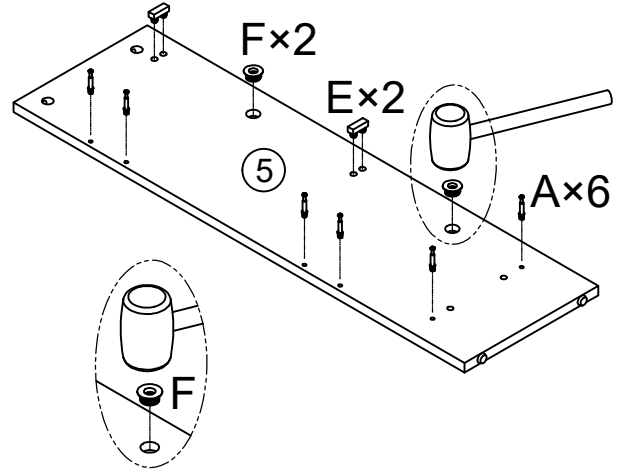
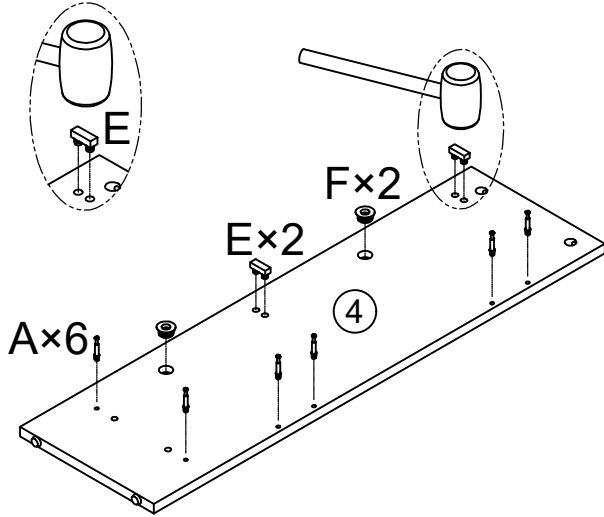


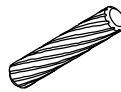


A×20PCS	B×8PCS	C×12PCS	D×12PCS	E×4PCS
 M6×35mm	 Ø15×9.3mm	 Ø15×12mm	 Ø8×30mm	
F×4PCS	G×28PCS	H×4PCS	I×4PCS	J×2PCS
	 Ø3.5×14mm		 Ø5×16mm	
K×1PC	L×1PC	M×2PCS	N×2PCS	O×1PC
 Ø6×30mm	 Ø4×35mm			
P×1PC				
 Ø4×14mm				

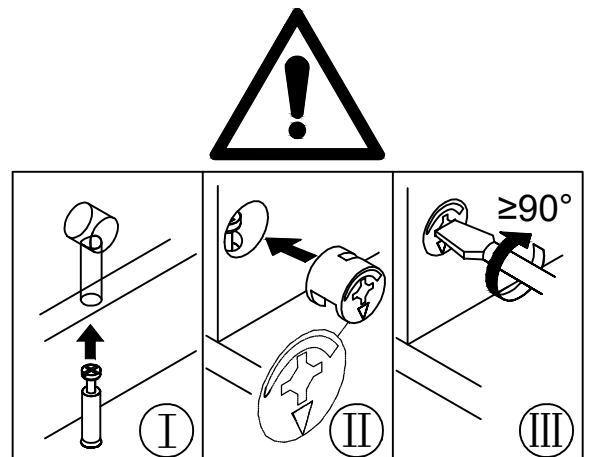
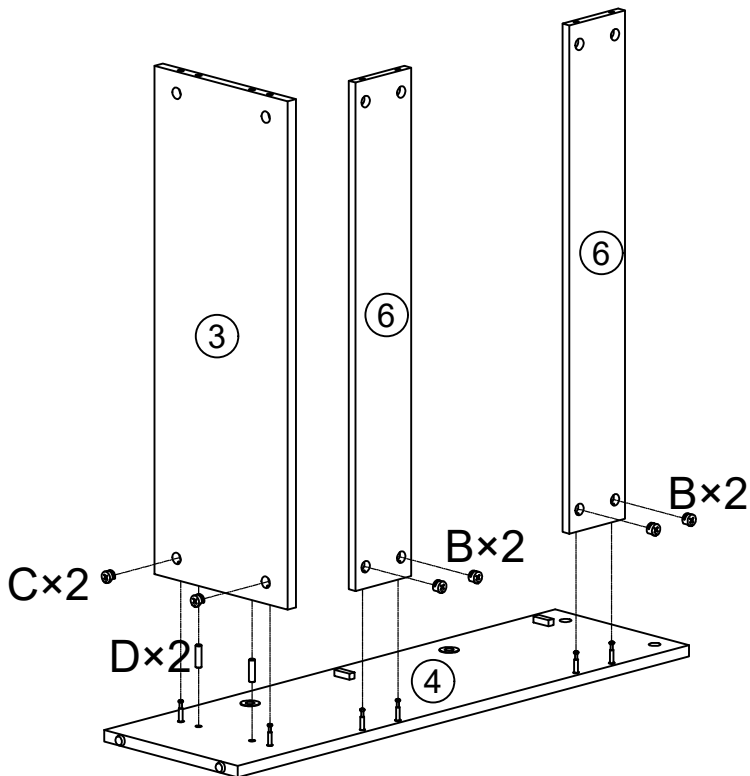
1.




A×12PCS	E×4PCS	F×4PCS
 M6×35mm		



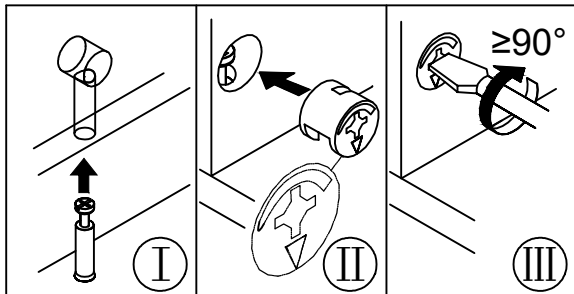
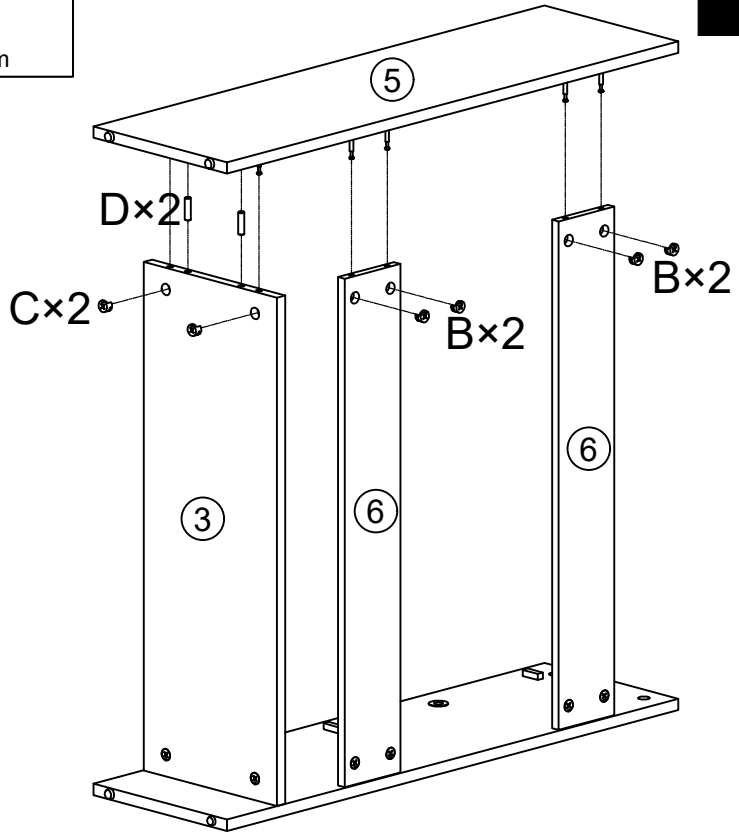
B×4PCS	C×2PCS	D×2PCS
 Ø15×9.3mm	 Ø15×12mm	 Ø8×30mm

2.

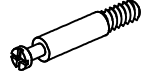

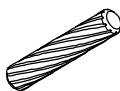
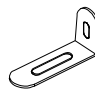



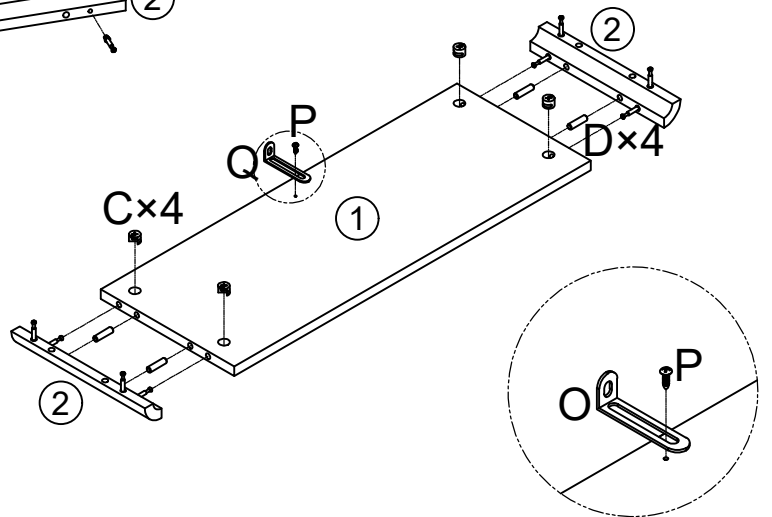
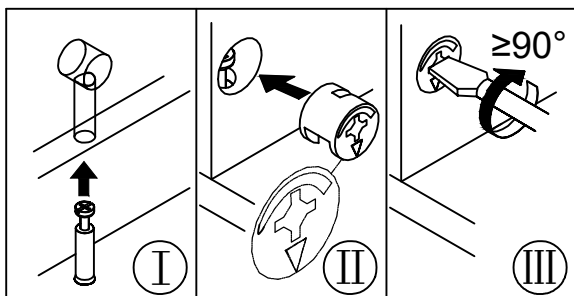
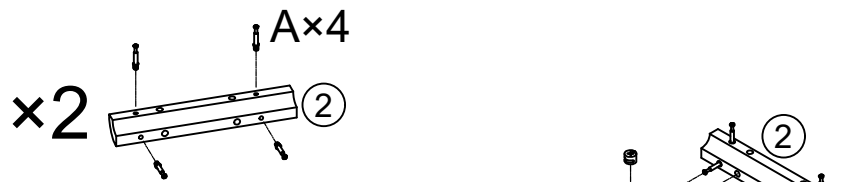
B×4PCS	C×2PCS	D×2PCS
		
Ø15×9.3mm	Ø15×12mm	Ø8×30mm

3.

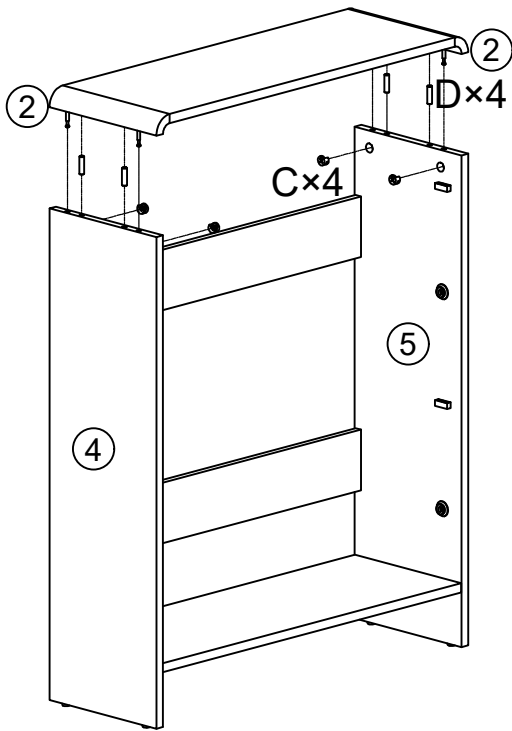




4.

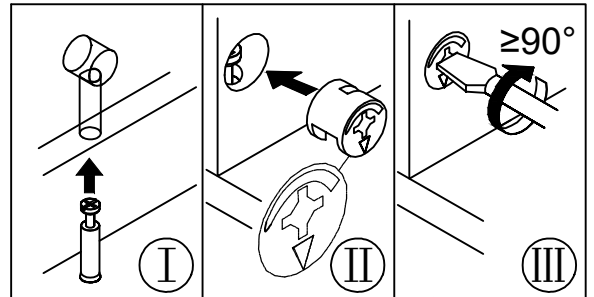
A×8PCS	C×4PCS	D×4PCS	O×1PC	P×1PC
				
M6×35mm	Ø15×12mm	Ø8×30mm		Ø4×14mm

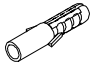



5.

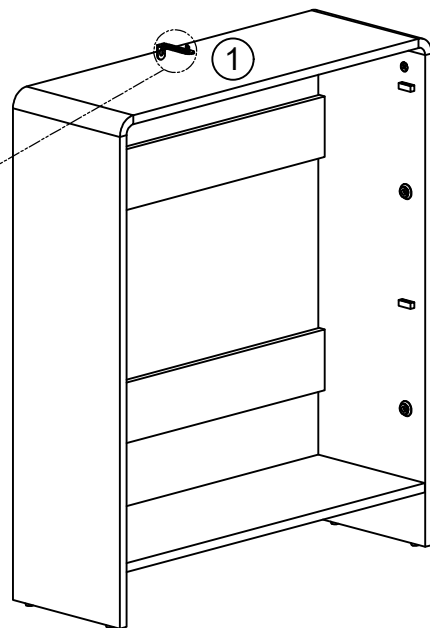
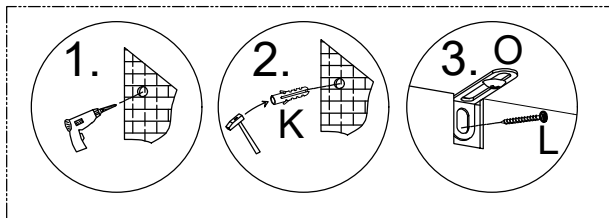





Cx4PCS	Dx4PCS
	
Ø15x12mm	Ø8x30mm



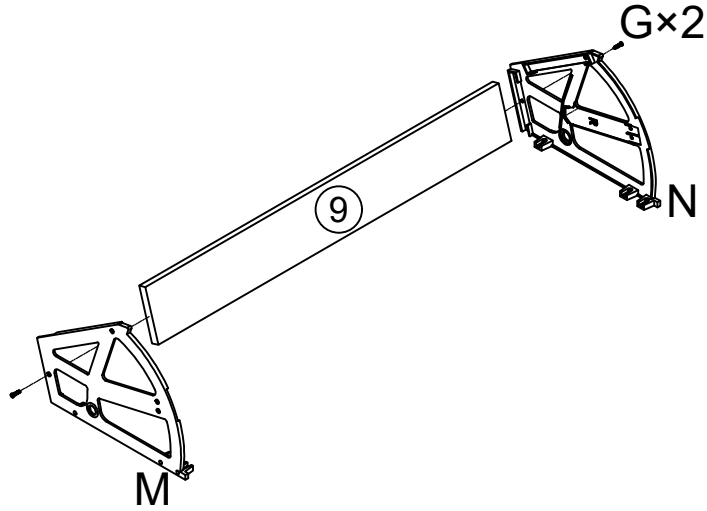
Kx1PC	Lx1PC
	
Ø6x30mm	Ø4x35mm

6.



G×4PCS	M×2PCS	N×2PCS
 Ø3.5×14mm		

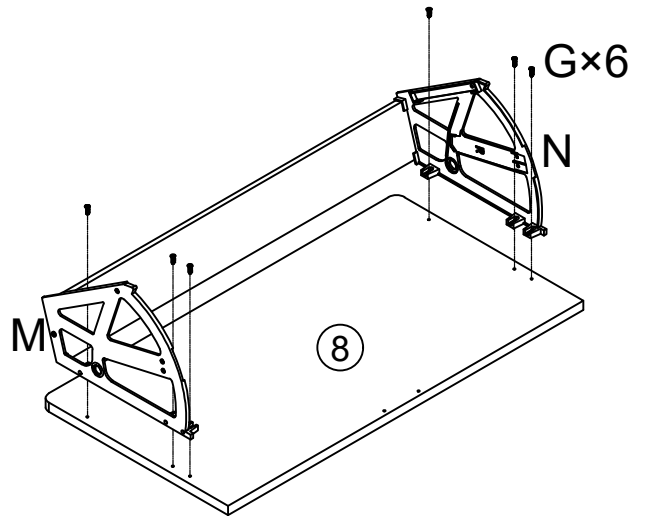
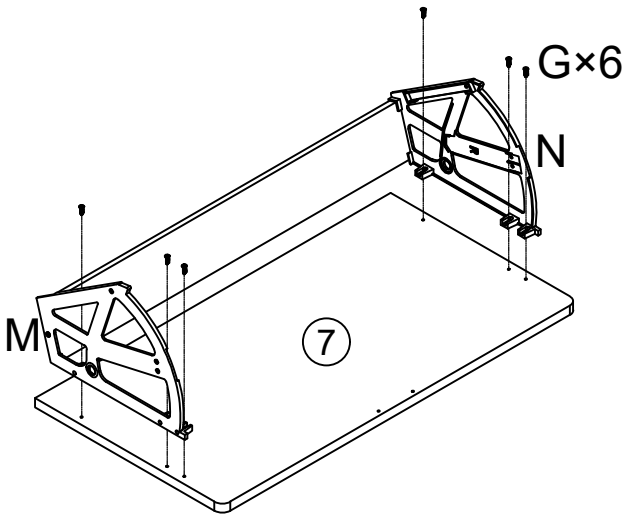
7.



×2

8.

G×12PCS
 Ø3.5×14mm



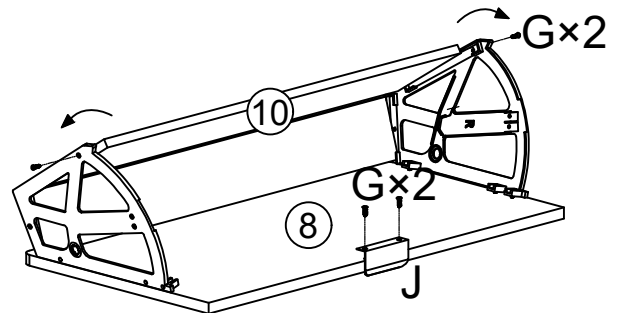
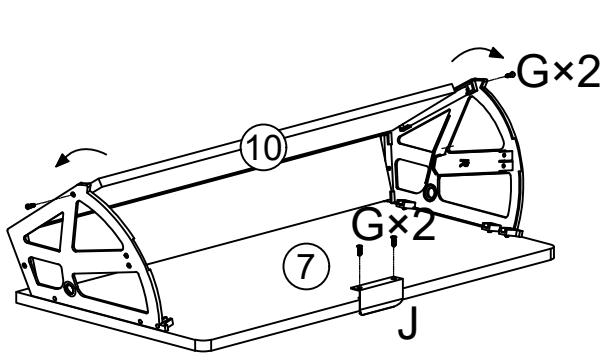
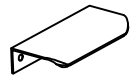
9.

G×8PCS

J×2PCS



Ø3.5×14mm



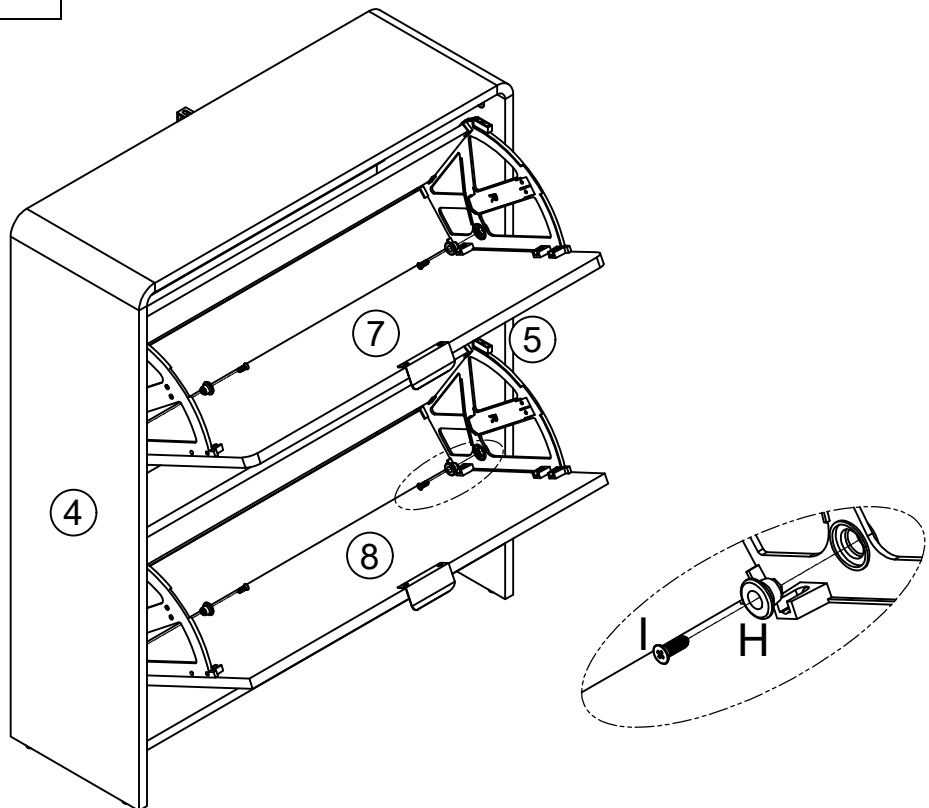
H×4PCS

I×4PCS

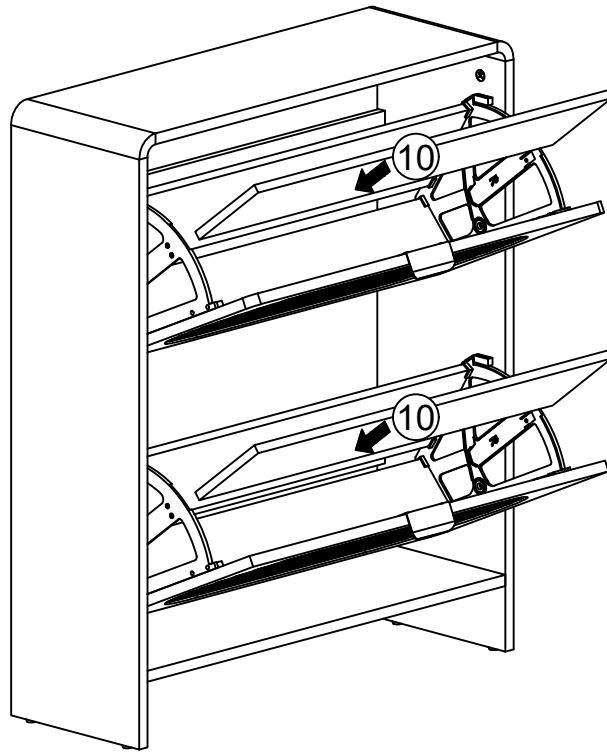


Ø5×16mm

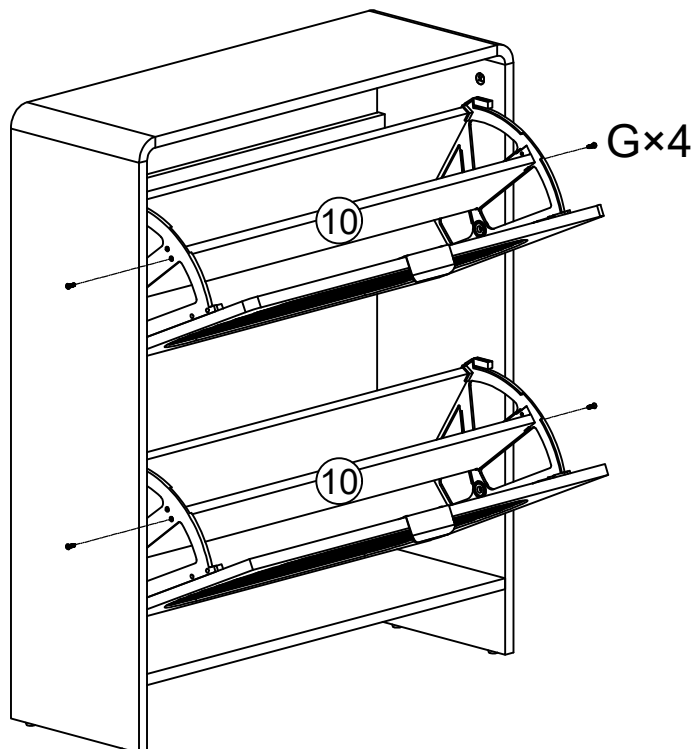
10.



11.



12.



Gx4PCS



Ø3.5x14mm