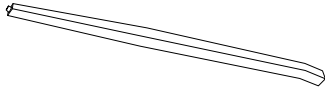
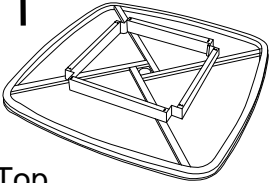
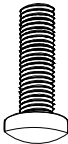
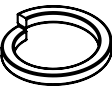
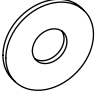



# Installation & Assembly

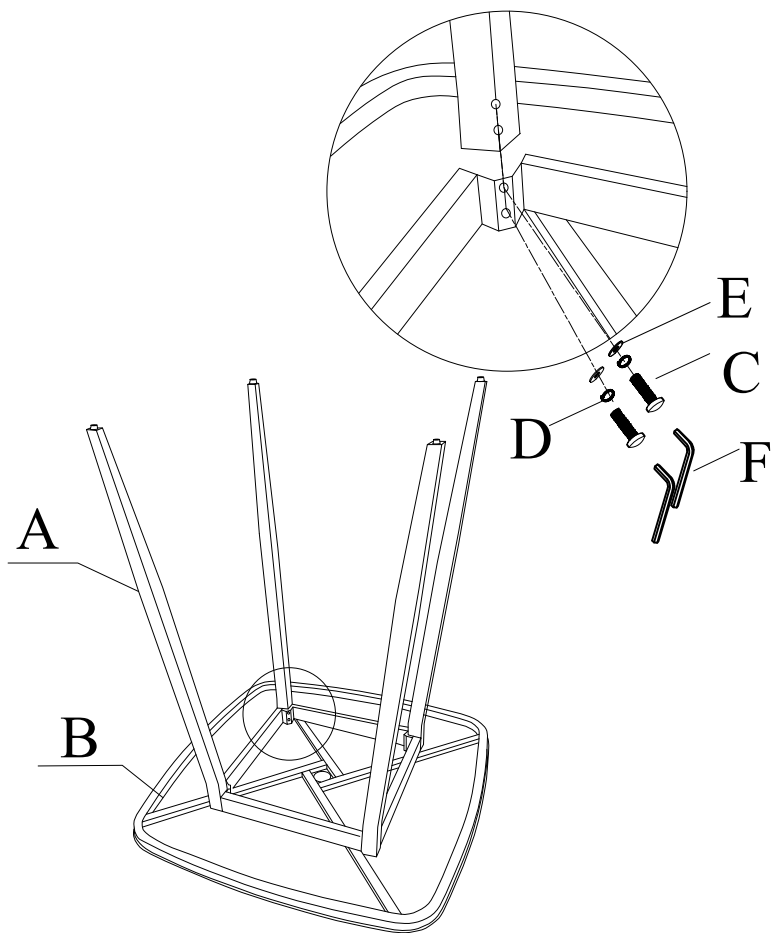


## **BEFORE ASSEMBLY:**

- Read all instructions carefully before starting assembly. We recommend assembling on a soft surface, such as a carpet, or a flat surface to prevent scratches. Keep children away during assembly, as this item contains small parts that may be a choking hazard.
- Keep all packaging until assembly is complete. Retain the assembly instructions for future reference or warranty purposes.
- Aluminum is a soft metal. Do not use power tools, and avoid over-tightening bolts, as this may strip threads or damage parts.
- Children under 10 should be supervised by a competent adult at all times when near the product.
- When not in use, store or cover the product in a cool, dry place. Keep it away from extreme conditions. Do not use this product for purposes other than its intended use.
- This product is designed for outdoor use and intended for residential use only. It is not for commercial purposes, and misuse will void the warranty.
- Due to the nature of cast metal, some surface roughness may be present. This is normal and adds to the product's character—it is not a defect.

<p><b>A x 4</b></p>  <p>Leg</p>	<p><b>B x 1</b></p>  <p>Table Top</p>
<p><b>C x 8</b></p>  <p>Bolt(M8*35)</p>	<p><b>D x 8</b></p>  <p>Spring Washer</p>
<p><b>E x 8</b></p>  <p>Washer</p>	<p><b>F x 1</b></p>  <p>Wrench</p>





### Step 1:

Place all the parts on a clean and soft surface and identify all the parts and hardware kits against the parts list. Turn over the Table Top (B) onto a flat surface. Attach all four Legs (A) to the Table Top (B) using parts (C, D, E, F). Once all four legs are installed, tighten all the bolts (C) securely.



Warning: For safe and stable use, please ensure that your umbrella is paired with a properly weighted umbrella base ( not included ). The table is designed with an umbrella hole, but the umbrella must be securely weighted to prevent wobbling or tipping. Always close and remove the umbrella during strong winds, storms, or any severe weather conditions to avoid damage or the risk of the umbrella being blown over.