

Tips!

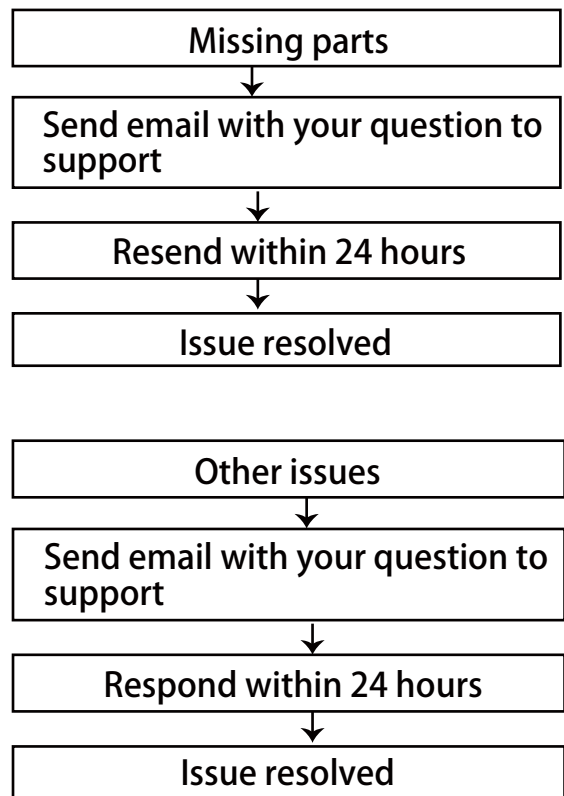
Check all the components & screws before assembly. **Do not install in case part is missing, contact us to get.** Send email with your question to support. We will resend within 24 hours.

Return Policy

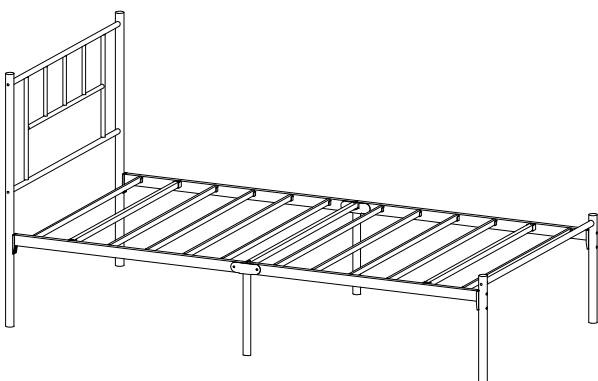
We believe you will absolutely love your new item. But if for some reason you want to return, please contact us directly before you decide to return your product. Our customer service organization can answer most concerns and assist you with any questions you may have about your new item, please email us first.

The item must be returned within 30 days of delivery for a full refund. The item must be returned in good condition, in original box, with all original proof of purchase, parts and accessories.

Trouble shooting:



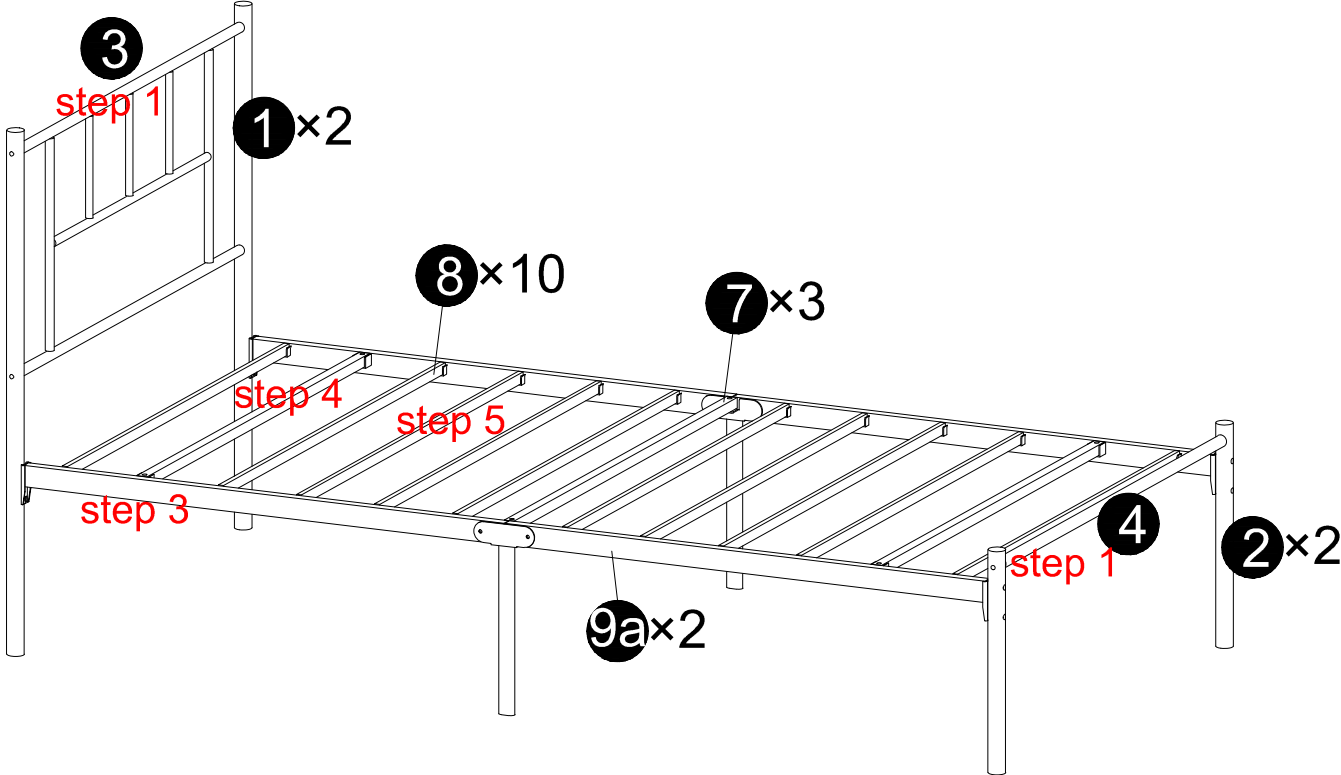
We control manufacturing and distribution ourselves, ensure the quality



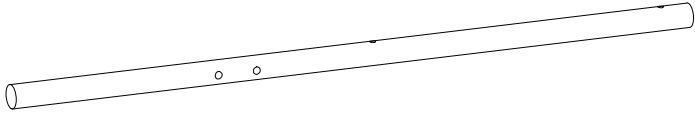

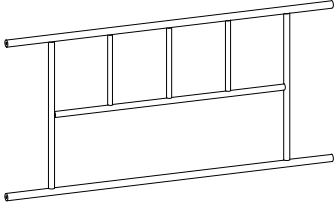
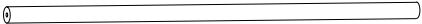
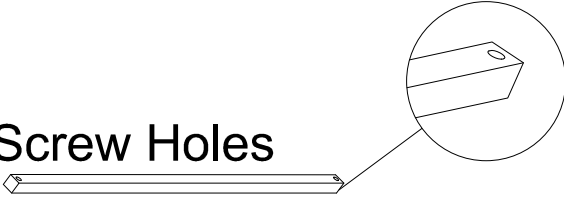
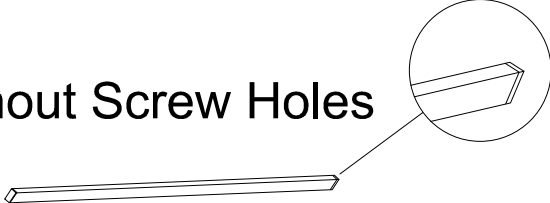
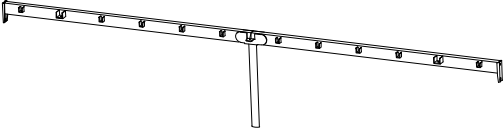
Item Description: Bed Frame

Size: (1975mm)×(1002mm)×(980mm/420mm)

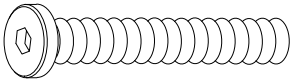
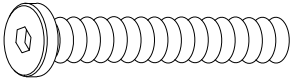
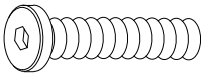
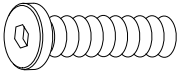
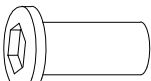
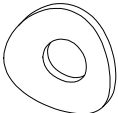

Easy assembly by following step 1、 step 2、 step 3...



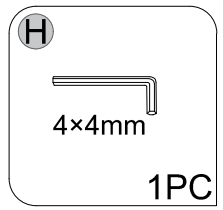
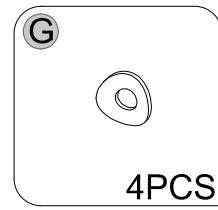
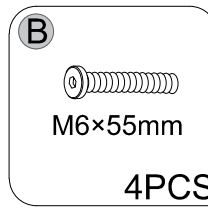
Components

1		2PCS
2		2PCS
3		1PC
4		1PC
7	<p>With Screw Holes</p> 	3PCS
8	<p>Without Screw Holes</p> 	10PCS
9a		2PCS

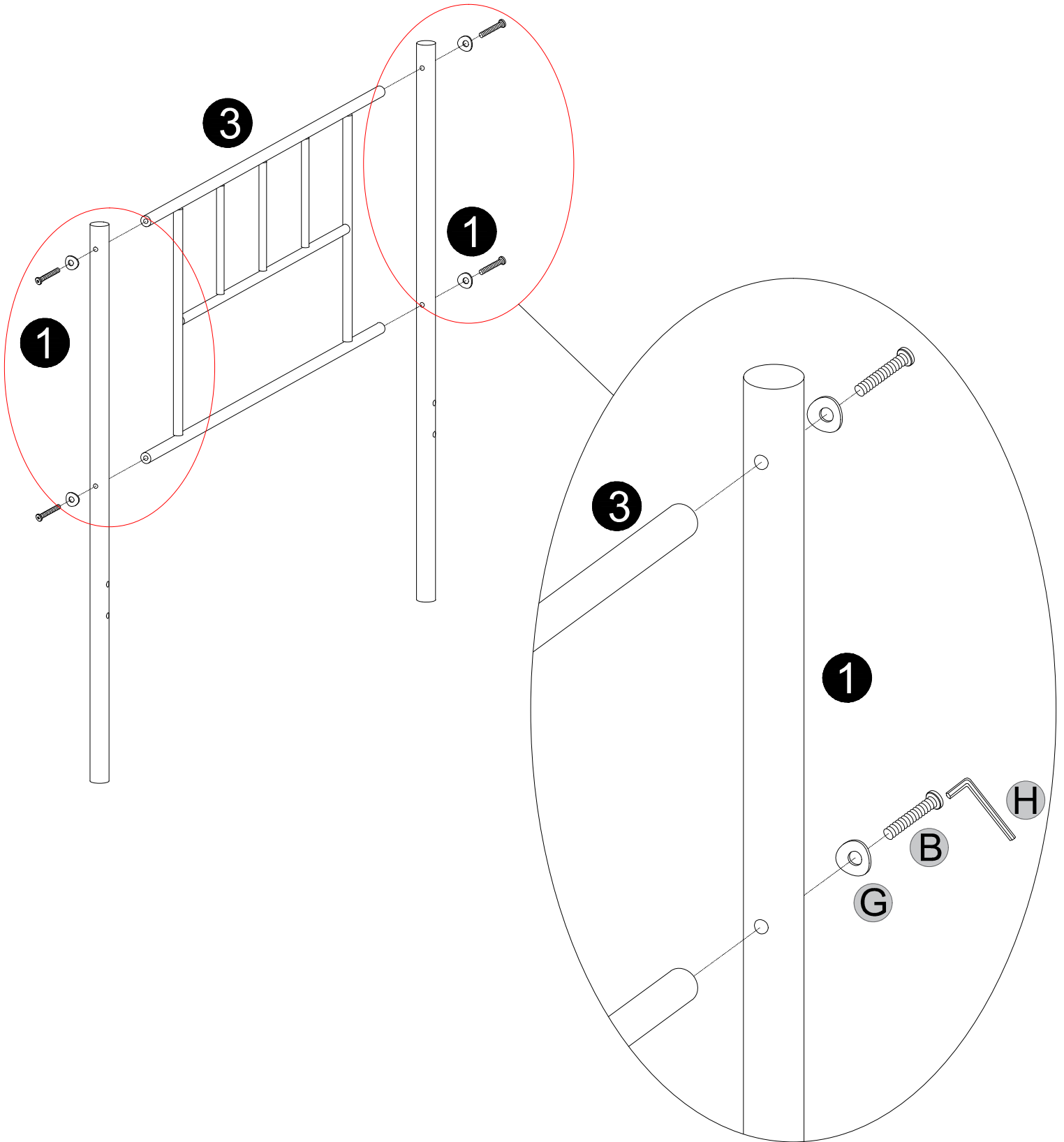
Screws & Tools

A		M8×50mm	4PCS
B		M6×55mm	6PCS
C		M6×30mm	6PCS
D		M6×28mm	4PCS
F			4PCS
G			14PCS
H		4×4mm	2PCS

step 1



Note: For easy setup intention,
do not tighten screws during
the installation process

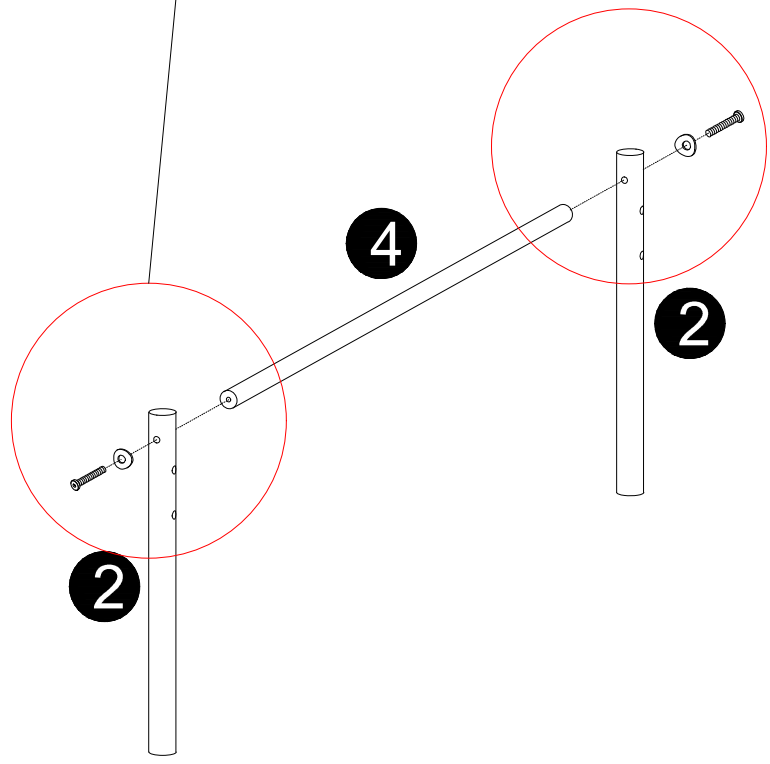
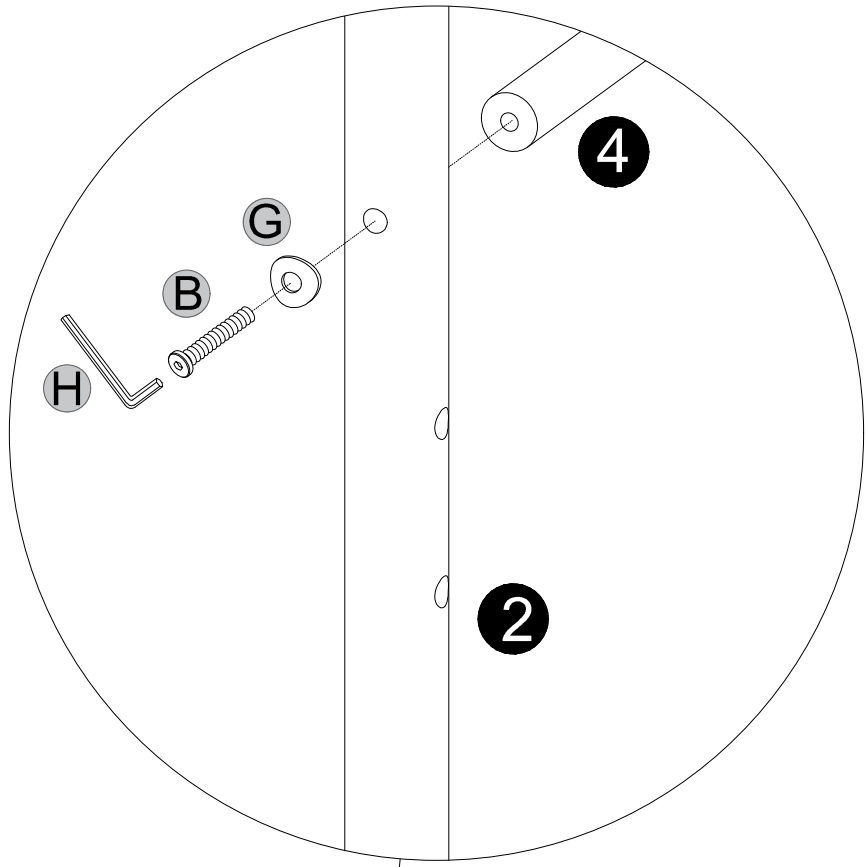


step 2

B
M6×55mm
2PCS

G
2PCS

H
4×4mm
1PC



step 3

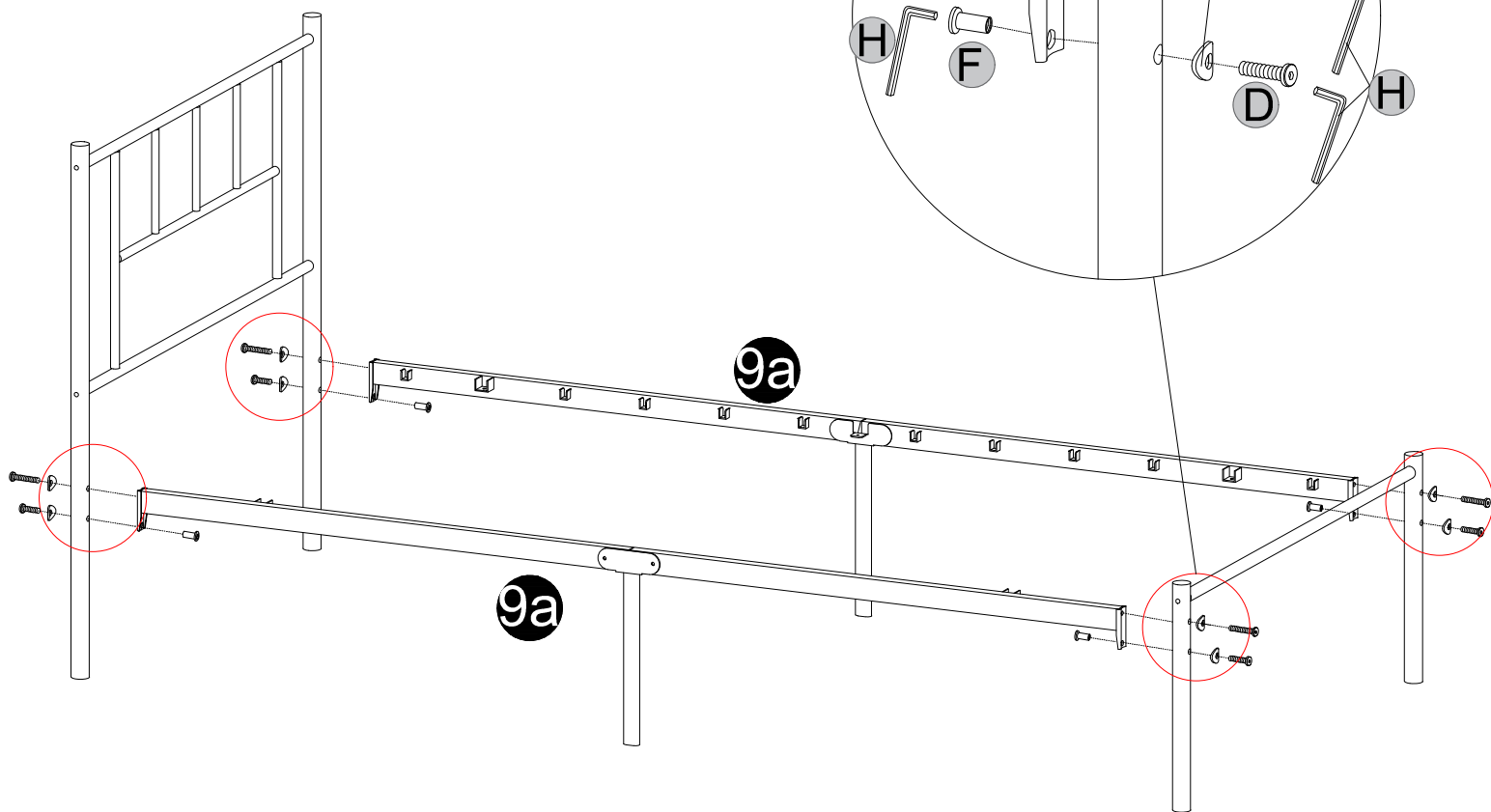
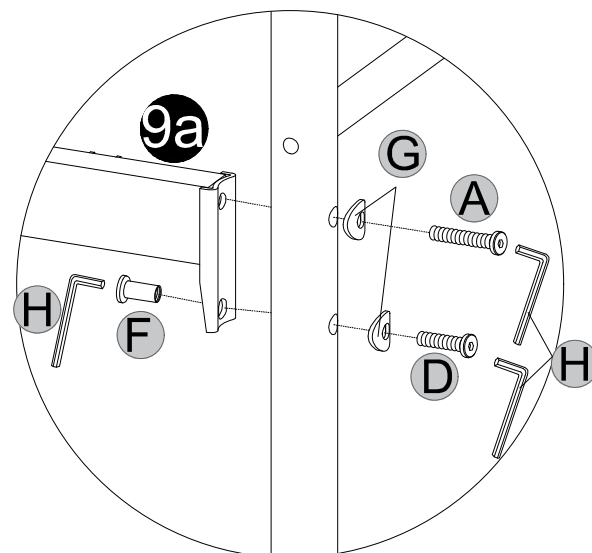
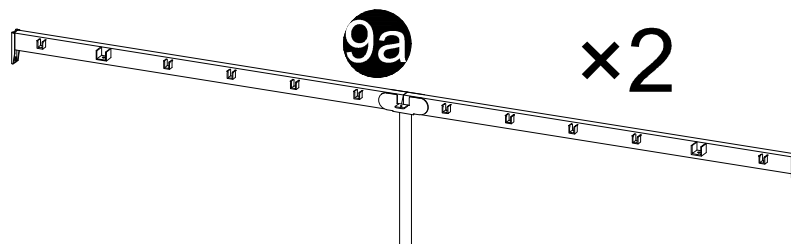
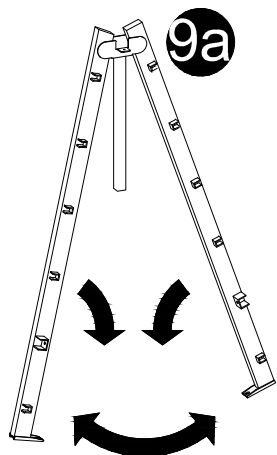
A
M8×50mm
4PCS

D
M6×28mm
4PCS


F
4PCS

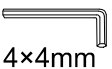
G
8PCS

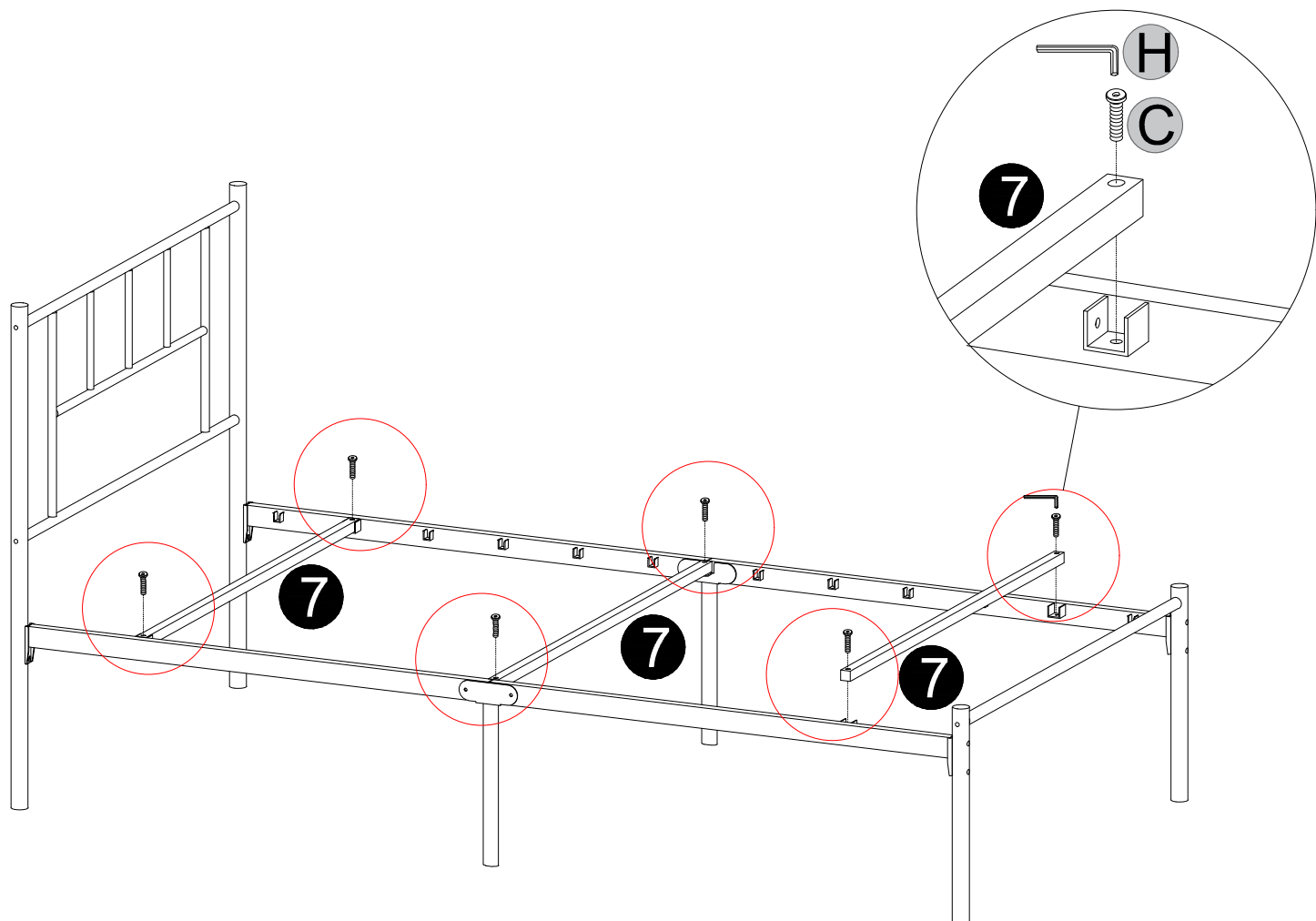
H
4×4mm
2PCS



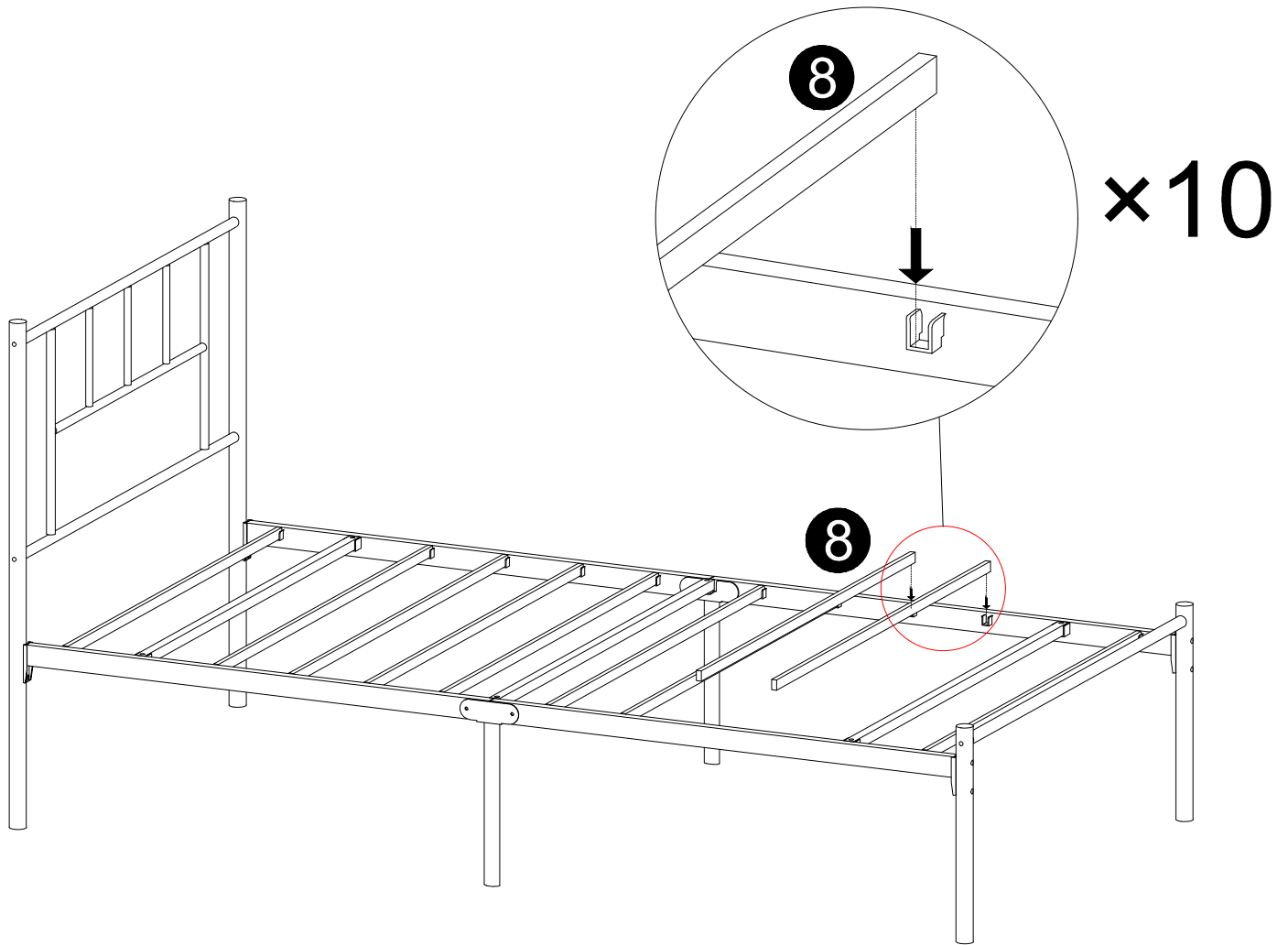
step 4

C

M6×30mm
6PCS

H

4×4mm
1PC

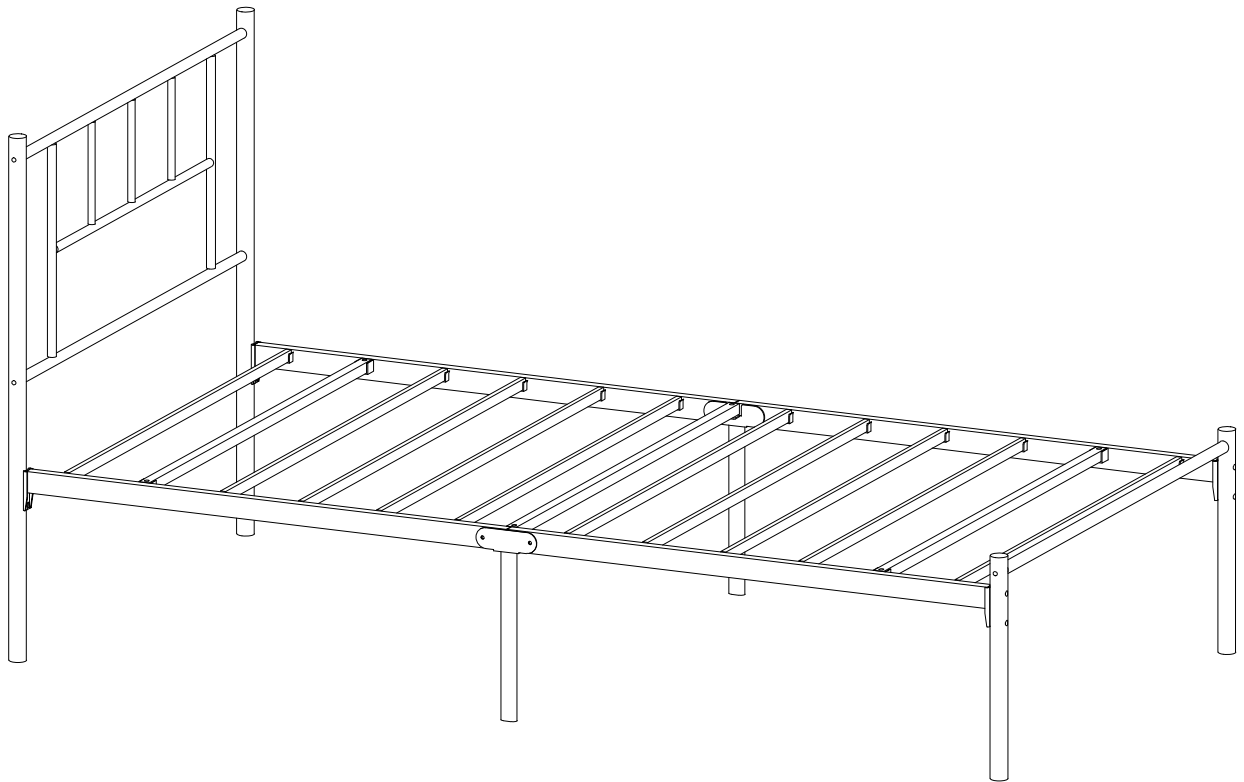


step 5



step 6

Check and tighten all screws



Bed Frame

